

Parts Manual

Deployable Universal Combat Earthmover (DEUCE)

30/30 (Model DV100)

NSN: 2430-01-423-2819

PIN:7RR00003-Up (Machine)

4CW00222-Up (Engine)

List of Effective Pages

Page NumberRevision Number

Front Cover0
Page 10
Page 2 (Blank)0
Page 3 and 4 (Deleted)0
Page 5 through 220
Page 22.01 (22.02 Blank)0
Page 23 through 29 (29.00 Blank)0
Page 29.010
Page 30 through 2030
Page 203.00 and 203.010
Page 204 through 3430
Page 343.00 through 343.070
Page 344 through 4250
Page 425.00 and 425.010
Page 426 through 4460
Page 446.01 (446.02 Blank)0
Page 447 through 5240

Parts Manual

Deployable Universal Combat Earthmover (DEUCE)

30/30 (Model DV100)

NSN: 2430-01-423-2819

**PIN:7RR00003-Up (Machine)
4CW00222-Up (Engine)**

REPORTING ERRORS AND RECOMMENDING IMPROVEMENTS

You can help improve this publication. If you find any mistakes or if you know of a way to improve the procedures, please let us know. Submit your DA Form 2028-2 (Recommended Changes to Equipment Technical Publications) through the Internet, on the Army Electronic Product Support (AEPS) website. The Internet address is <http://aeps.ria.army.mil>. If you need a password, scroll down and click on "ACCESS REQUEST FORM". The DA Form 2028 is located in the ONLINE FORMS PROCESSING section of the AEPS. Fill out the form and click on SUBMIT. Using this form on the AEPS will enable us to respond quicker to your comments and better manage the DA Form 2028 program. You may also mail, fax or email your letter, DA Form 2028, or DA Form 2028-2 direct to: Commander, U.S. Army Tank-Automotive and Armaments Command, ATTN: AMSTA-LC-CIP-WT, Rock Island, IL. 61299-7630. The email address is TACOM-TECH-PUBS@ria.army.mil. The fax number is DSN 793-0726 or Commercial (309) 782-0726.

MACHINE IDENTIFICATION

Caterpillar machines are identified with SERIAL NUMBERS and/or PRODUCT IDENTIFICATION NUMBER (PIN). These numbers are assigned to the Chassis and to the engine. The chassis and the engine also carry ARRANGEMENT NUMBERS and in some cases MODIFICATION NUMBERS. These numbers are shown on the SERIAL NUMBER or PIN plates and on the MASTER PLATE in the operator's compartment.

Caterpillar dealers need all of these numbers to determine which components were included on the machine when it was assembled at the factory. This permits accurate identification of replacement part numbers.

ORDERING PARTS

Quality Caterpillar Replacement parts are available from Caterpillar dealers throughout the world. Their parts inventories are up to date and include all parts normally required to protect your investment in Caterpillar machines. Some dealers may offer repair kits, exchange components, or remanufactured parts to allow selection of the most effective repair alternative for a specific situation. When ordering parts, your order should specify the quantity, part number, part name and the serial number. If in doubt about the part number, please provide your dealer with a complete description of the needed item.

HOW TO USE THE PARTS BOOK

Caterpillar Parts Books include illustrations of the groups or assemblies which make up the machine. These illustrations show the standard components plus many of the attachments available for the machine.

The alphabetical index located in the front part of the book should be used to determine the page number on which specific illustrations are shown. Reference to those pages will identify each of the individual serviceable parts.

Captions

The caption under each illustration identifies the part number and name of the group or assembly shown. Part numbers of groups are shown for reference purposes. Your dealer can assist you in identifying the availability of a complete group. If more than one illustration is included for any group, the caption identifies the specific machine serial numbers to which each illustration applies. Reference to the actual group or assembly is necessary in those cases to determine which illustration should be used.

Captions provide additional information such as page numbers where illustrations of sub assemblies are shown, information regarding quantities used, and other information intended to assist the user in determining parts needs.

Remarks, Abbreviations and Symbols

- A Not part of this group
- B Use as required
- C Indicates change
- D Order by the meter
- E Order by the centimeter
- F Not shown
- G Order by the inch
- J Items included in seal kit
- M Metric part (including fasteners)
- R Remfg part may be available
- X Major Component Exchange
- Y Separate illustration
- Z Not serviced separately

Reference Number

The numbers shown in this column refer to the numbers shown within the illustration. To identify any item within the illustration, first determine its reference number, then refer to the same number in the Ref No column of information about that part.

Part Number

These are numbers which are used to identify parts.

Qty

The quantities shown in this column indicate the part number of that item used.

Part Name

Information in this column provides the name of the part as well as additional information such as size, which further aids in the identification of the part.

Indented Part Names

Within each illustration is a parts list identifying each serviceable part in the illustration. When a part name is indented in this list, it means that serviceable item is a part of the serviceable item under which it is indented.

NOTE:

Continuing improvement and advancement of product design may cause changes to your machine which may not be included in this publication. Each publication is reviewed and revised, as required, to update and include these changes in later editions.

Whenever a question arises regarding your Caterpillar product, or this publication, please consult your Caterpillar dealer for the latest available information.

Coupling Identification

The following information provides the name of the coupling as well as additional information such as the type of flange head and thread identification, which further aids in the identification of the part.

Symbols and Description

M	Male
F	Female
NPTF	National Pipe Tapered for Fuels
JIC	JIC 37° Flare
TUBE	Tube Fitting with Lip
GREASE	Special Pipe Thread for Grease Fittings
STOR	SAE Straight Thread O-Ring
ORFS	O-Ring Face Seal
CODE 61	SAE Code 61 Flange
DBL COLLET	Double Collet
QUICK	Standard Quick Disconnect
TUBE A/C	Air Conditioner Short Tube
CAT FLANGE	Caterpillar Flange
ID	Inside Diameter
IN	Inches
LG	Long (Length)
MM	Millimeter
OD	Outside Diameter
OS	Oversized
US	Undersized

Example: ELBOW 90° (M-STOR, M-JIC)

90° Elbow with a male Straight Thread O-Ring fitting on one end, and a male JIC fitting on the other end.

O-Ring Identification

The following information provides the name of the O-Ring as well as additional information such as the size measured as the outside diameter (OD) in millimeters and the type of flange or connector where it's used, which further aids in the identification of the part.

Symbols and Description

ORFS	O-Ring Face Seal
ORB	SAE Straight Thread O-Ring
CODE 61	SAE Code 61 Flange
TUBE A/C	Air Conditioner Short Tube

Example: SEAL-O-RING (ORFS-OD 28)

Seal-O-Ring Face Seal with an outside diameter (OD) of 28 millimeters.

TM5-2430-200-24P
REMANUFACTURED COMPONENTS

As an option when making repairs consider Caterpillar Remanufactured Components. Components that are available through the Caterpillar Remanufactured Program are identified three ways in the parts book:

- with the letter R in the note field of the parts list
- with an R* at the beginning of the first line of the caption
- with an *R at the end of the first line of the caption

Typical components included in the Remanufacturing Program include:

**ALTERNATORS
CONNECTING RODS
CRANKSHAFTS - UNDERSIZE
CRANKSHAFTS - UPGRADE TO NEW
CYLINDER HEADS
ELECTRONIC CONTROL MODULES (ECM)
ELECTRONIC SENSORS
FUEL INJECTORS
FUEL NOZZLES
FUEL PUMPS
GOVERNORS
OIL PUMPS
PISTONS
SHORT BLOCKS
STARTERS
TURBOCHARGERS - COMPLETE
TURBOCHARGER CARTRIDGES
WATER PUMPS**

Caterpillar Remanufactured engines for many engine arrangements are also available. Check with your local Caterpillar Dealer for the availability of Remanufactured Components.

NOTES

A large, empty rectangular box with a black border, intended for handwritten notes.

MAINTENANCE PARTS

<u>DESCRIPTION</u>	<u>PART No.</u>	<u>QTY</u>	<u>WHERE USED</u>	<u>PAGE No.</u>
BELT - VEE	3S8448	1	A/C COMPRESSOR	427
BELT - VEE	0366775	1	ENGINE WATER PUMP	29
BELT SET - VEE	9L1127	1	ALTERNATOR	149
BELT - TRACK DRIVE	1R1287	2	UNDERCARRIAGE	262
BLADE - WIPER	1341935	1	CAB WINDSHIELD WIPER	421
BREATHER AS - CRANKCASE	2W9162	1	BREATHER GP	47
BULB - LH	9X4493	2	LH REAR STOP/TURN/SIGNAL LAMP	141
BULB - RH	9X4493	2	RH REAR STOP/TURN/SIGNAL LAMP	141
BULB	9X3463	2	WORK LIGHTS AND HEADLAMPS	138
CAP AS - OIL FILLER	6G9333	1	FILLER GP - OIL	49
ELEMENT - WATER	1512409	1	ENGINE WATER SEPARATOR	124
ELEMENT AS - PRIMARY	6I2503	1	ENGINE AIR	94
ELEMENT AS - SECONDARY	6I2504	1	ENGINE AIR	94
FILTER	1G8878	1	HYDRAULIC OIL	332
FILTER - AIR	1538007	2	A/C/HEATER INSIDE AIR	423
FILTER - AIR	8C4120	1	A/C/HEATER OUTSIDE AIR	423
FILTER - OIL	9T5916	1	POWER TRAIN OIL	331
FILTER AS - FUEL	1R0751	1	ENGINE FUEL	107
FILTER AS - OIL	1R0739	1	ENGINE OIL	51
GASKET	1192940	1	COVER GP - VALVE MECHANISM	25
GASKET	1154202	1	PAN GP - OIL	41
LAMP - RED	1165270	1	WARNING/PARKING BRAKE LAMP	433
LAMP GP - FLOOD	9X1439	6	LIGHTING GP - ROAD	144
LAMP GP - HEAD	9X7169	2	LIGHTING GP - ROAD	144
LAMP - MINIATURE	7G9730	4	DASH PANEL LAMP	431
LAMP - MINIATURE	7N9943	1	DOME LAMP	449
LAMP - MINIATURE	7N5876	1	START AID LAMP	431
LAMP - 24 VOLT	1303565	2	REAR TAIL LAMP	140
LAMP - BLACKOUT	1779102	1	LIGHTING GP	142
LAMP - BLACKOUT	1779103	1	LIGHTING GP	142
LAMP - BLACKOUT	1779104	1	LIGHTING GP	144
LAMP - BLACKOUT	1779105	1	LIGHTING GP	144
LAMP - BLACKOUT	1779106	1	LIGHTING GP	144
LEN AS	9X4174	1	WORK LIGHTS	138
LEN AS	9X7798	1	HEADLAMPS	139
MIRROR GP - SIDE	5P6871	2	OUTSIDE CAB MIRROR	452
REGULATOR - WATER	1193075	1	LINES GP - WATER	80
GASKET	2W7212	1	LINES GP - WATER (REGULATOR)	80
SEAL -O- RING	4L9564	1	ENGINE BREATHER	47
SEAL -O- RING	3K0360	1	ENGINE OIL DRAIN PLUG	28

INDEX

A

ACCESSORY GP-CAB	417
ACCUMULATOR GP & MOUNTING (FRONT TOP)	302
ACCUMULATOR GP & MOUNTING (TENSIONER)	307
ACCUMULATOR GP (BOGIE)	301
ACCUMULATOR GP (BRAKE)	304
.....	306
ACCUMULATOR GP (FRONT TOP)	309
ACCUMULATOR GP (MID)	303
.....	305
ACCUMULATOR GP (TENSIONER)	308
AID GP-ETHER STARTING	130
.....	131
AIR INLET AND EXHAUST SYSTEM	92
ALTERNATOR GP	132
ARM GP-ROCKER	19

B

BASE AS-PEDAL	418
BASIC ENGINE	19
BELT-TRACK DRIVE	262
BLADE AR	398
BLADE GP-ANGLING (7RR00003 THRU 50)	399
BLADE GP-ANGLING (7RR00051-UP)	400
BLOCK GP-CYLINDER	20
BLOCK GP-CYLINDER BASIC	21
BLOCK GP-JUNCTION	133
BLOCK GP-HOOK	473
BRAKE GP	264
.....	265
BRAKING SYSTEM	264
BREATHER GP	47
BULLDOZER AR	401

C

CAB GP-BASIC PART 1 OF 3	420
.....	421
CAB GP-BASIC PART 2 OF 3	422
.....	423
CAB GP-BASIC PART 3 OF 3	424
.....	425
CAMSHAFT GP	22
CASE GP-STEERING	274
.....	275
CASE GP-TRANSMISSION	186
.....	187
CHASSIS AR	222
CLEANER GP-AIR	92
.....	93
.....	94
COLUMN-STEERING	425.00
COMPRESSOR GP	426
.....	427
CONDITIONER GP-AIR	428
.....	429
CONNECTION GP-MUFFLER	95

CONSOLE GP-INSTRUMENT	430
.....	431
CONSOLE GP-OPERATOR	432
.....	433
CONTROL GP & MOUNTING (ENGINE)	135
CONTROL GP & MOUNTING (EPTC)	134
CONTROL GP-BLADE PART 1 OF 2	434
.....	435
CONTROL GP-BLADE PART 2 OF 2	436
.....	437
CONTROL GP-STEERING	438
CONTROL GP-TRANS GEAR SELECTOR	191
CONTROL GP-TRANS GEAR SENSOR	192
CONTROL GP-TRANSMISSION HYD PART 1 OF 2	188
.....	189
CONTROL GP-TRANSMISSION HYD PART 2 OF 2	190
COOLING GP-ENGINE	62
COOLING SYSTEM	62
COVER GP-CAB AIR FILTER	439
COVER GP-CYLINDER	24
COVER GP-FRONT COVER	22.01
COVER GP-ENGINE GEAR HSG	23
COVER GP-PLATFORM (ELECTRICAL)	442
COVER GP-SUSPENSION	221
COVER GP-TRANS GEAR SELECTOR	440
COVER GP-VALVE MECHANISM	25
COVER GP-WIPER MOTOR	441
CRANKSHAFT GP	26
CYLINDER GP & MOUNTING (BOGIE)	318
.....	319
CYLINDER GP & MOUNTING (CAB TILT)	324
CYLINDER GP & MOUNTING (FRONT)	316
.....	317
CYLINDER GP & MOUNTING (LIFT)	326
CYLINDER GP & MOUNTING (MID)	320
.....	321
CYLINDER GP & MOUNTING (RADIATOR TILT)	325
CYLINDER GP & MOUNTING (REAR)	322
.....	323
CYLINDER GP (ANGLE)	310
CYLINDER GP (TILT)	311
CYLINDER GP-BASIC (FRONT)	312
CYLINDER GP-BASIC (LIFT)	315
CYLINDER GP-BASIC (MID & REAR)	314
CYLINDER GP-BASIC (MINOR)	313
CYLINDER GP-SHIFT	193

D

DAMPER GP-PULLEY	27
DIFFERENTIAL STEERING SYSTEM	274
DISPOSAL GP-FUMES	48
DOOR GP	443
DOOR GP-CAB	444
.....	445
DRAIN GP-OIL PAN	28
DRAWBAR GP	223
DRIVE GP-OUTPUT PART 1 OF 3	276
.....	277

INDEX

DRIVE GP-OUTPUT PART 2 OF 3278
279
 DRIVE GP-OUTPUT PART 3 OF 3280
 DRIVE GP-WATER PUMP.....29
 DRYER GP-AIR.....446

E

ELBOW GP-AIR INLET96
ELECTRICAL AND STARTING SYSTEM.....130
 ELECTRICAL AR136
EMP/NBC INDEX.....517
 ENCLOSURE GP PART 1 OF 2.....224
225
 ENCLOSURE GP PART 2 OF 2226
227
 ENGINE AR-BASIC.....16
 ENGINE AR (SWAP-IN COMP).....15
 ENGINE AR-CORE17
ENGINE ARRANGEMENT16

F

FAN GP-CIRCULATING.....446.01
447
 FASTENER GP-ENGINE GEAR HSG29.01
 FASTENER GP-ENGINE30
 FENDER GP-REAR228
229
 FILLER GP-ENGINE OIL49
 FILLER GP-HYDRAULIC327
 FILTER GP & MOUNTING (CHARGE OIL)330
 FILTER GP & MOUNTING (HYD OIL).....328
 FILTER GP & MOUNTING (TRANS OIL)329
 FILTER GP (HYD OIL)332
 FILTER GP-BASIC (TRANS OIL)331
 FILTER GP-ENGINE OIL50
51
 FILTER GP-FUEL PART 1 OF 2.....104
105
 FILTER GP-FUEL PART 2 OF 2.....106
107
 FINAL DRIVE AR (SWAP-IN COMP)15
 FLYWHEEL GP31
FRAME AND BODY221
 FRAME GP (7RR00003 THRU 50).....402
403
 FRAME GP (7RR00051-UP).....404
 FRAME GP-TRACK TYPE TRACTOR230
FUEL SYSTEM104

G

GAGE GP-ENGINE OIL LEVEL.....52
 GEAR GP-FRONT.....32
 GENERAL MACHINE AR.....15
 GRILL GP-RADIATOR HINGE.....232
233
 GUARD GP-ALTERNATOR BELT33

GUARD GP-BOTTOM GUARDS234

H

HANDRAIL GP235
 HEAD GP-CYLINDER35
 HEAD GP-CYLINDER BASIC34
 HEATER GP & MOUNTING.....66
 HEATER GP-AIR INLET137
 HEATER GP-BASIC64
65
 HOUSING GP-FLYWHEEL.....36
 HOUSING GP-FRONT ENGINE GEAR.....37
 HYDRAULIC AR.....333
 HYDRAULIC AR-AUX334
 HYDRAULIC AR-FAN67
HYDRAULIC SYSTEM.....305

I

IDLER GP-FRONT236
 IDLER GP-TRACK LH SIDE238
239
 IDLER GP-TRACK RH SIDE.....240
241
IMPLEMENTS398
 INSTALLATION AR18
 INSULATION GP-CAB448

J

JOINT GP-UNIVERSAL281

L

LAMP GP-DOME.....449
 LAMP GP-FLOOD.....138
 LAMP GP-HEAD139
 LAMP GP-SIGNAL140
141
 LIFTER GP-VALVE38
 LIFTING GP-ENGINE.....39
 LIGHTING GP142
143
 LIGHTING GP-ROAD.....144
 LINES GP-A/C.....450
451
 LINES GP-ACCM PART 1 OF 4 (7RR00003 THRU 77) 336
337
 LINES GP-ACCM PART 2 OF 4 (7RR00003 THRU 77) 338
339
 LINES GP-ACCM PART 3 OF 4 (7RR00003 THRU 77) 340
341
 LINES GP-ACCM PART 4 OF 4 (7RR00003 THRU 77) 342
343
 LINES GP-ACCM PART 1 OF 4 (7RR00078-UP)343.00
343.01
 LINES GP-ACCM PART 2 OF 4 (7RR00078-UP)343.02
343.03

INDEX

LINES GP-ACCM PART 3 OF 4 (7RR00078-UP)	343.04	287
.....	343.05	LINES GP-STEERING PART 3 OF 3	288
LINES GP-ACCM PART 4 OF 4 (7RR00078-UP)	343.06	289
.....	343.07	LINES GP-TILT	352
LINES GP-AIR	97	353
LINES GP-ANGLE	405	LINES GP-TURBO	54
LINES GP-ATTACHMENT	344	LINES GP-WATER	80
.....	345	LINES GP-WINCH	410
LINES GP-BRAKE PART 1 OF 4	266	411
.....	267	LUBRICATION SYSTEM	47
LINES GP-BRAKE PART 2 OF 4	268		
.....	269	M	
LINES GP-BRAKE PART 3 OF 4	270	MACHINE ARRANGEMENT	15
.....	271	MAINTENANCE PARTS	9
LINES GP-BRAKE PART 4 OF 4	272	MANIFOLD GP	356
LINES GP-COOLANT	68	MANIFOLD GP (AUX TOOL)	354
.....	69	MANIFOLD GP (MULTI-FUNCTION)	355
LINES GP-COUPLER	474	MANIFOLD GP-EXHAUST	98
LINES GP-DIFF STEER LUBE	282	MANIFOLD GP-INLET	99
.....	283	MECHANISM GP-VALVE	40
LINES GP-ENGINE OIL	53	MIRROR GP-CONVEX	453
LINES GP-FUEL PART 1 OF 2 (7RR00003 THRU 40)	108	MIRROR GP-SIDE	452
.....	109	MOTOR GP & MOUNTING (STEERING)	290
LINES GP-FUEL PART 2 OF 2 (7RR00003 THRU 40)	110	MOTOR GP-BASIC (COOLING FAN)	357
.....	111	MOTOR GP-ELECTRIC	146
LINES GP-FUEL PART 1 OF 2 (7RR00041-UP)	112	147
.....	113	MOTOR GP-ELECTRIC STARTING	148
LINES GP-FUEL PART 2 OF 2 (7RR00041-UP)	114	MOTOR GP-GEROTOR (WINCH)	358
.....	115	MOTOR GP-PISTON (STEERING)	360
LINES GP-GAGE	475	361
LINES GP-HEATER PART 1 OF 2	70	MOTOR GP-WIPER	145
.....	71	MOUNTING GP-ALTERNATOR	149
LINES GP-HEATER PART 2 OF 2	72	MOUNTING GP-BRACKET (DECON TANK)	242
LINES GP-HYD FAN PART 1 OF 3	74	MOUNTING GP-BRACKET (FOOT REST)	454
.....	75	MOUNTING GP-BRACKET (RIFLE)	455
LINES GP-HYD FAN PART 2 OF 3	76	MOUNTING GP-CAB	456
.....	77	MTG GP-ENGINE OIL FILTER (7RR00003 THRU 42)	56
LINES GP-HYD FAN PART 3 OF 3	78	57
.....	79	MTG GP-ENGINE OIL FILTER (7RR00043-UP)	58
LINES GP-HYDRAULIC	116	59
LINES GP-LIFT CYL PART 1 OF 2	346	MOUNTING GP-FAN DRIVE	82
.....	347	83
.....	406	MOUNTING GP-FUEL FILTER	117
.....	407	MOUNTING GP-PLATFORM (CAB)	458
LINES GP-LIFT CYL PART 2 OF 2	348	459
.....	349	MOUNTING GP-RADIO	460
.....	408	MOUNTING GP-TRANSAXLE	199
.....	409	MOUNTING GP-TRANSMISSION	200
LINES GP-POWER TRAIN OIL PART 1 OF 3	194	MOUNTING GP-TORQUE CONVERTER	201
.....	195	MOUNTING GP-WHEEL	244
LINES GP-POWER TRAIN OIL PART 2 OF 3	196	245
.....	197	MUFFLER GP	100
LINES GP-POWER TRAIN OIL PART 3 OF 3	198	101
LINES GP-PUMP (IMPLEMENT)	350		
.....	351	N	
LINES GP-STEERING PART 1 OF 3	284	NSN CROSS-REFERENCE LIST	511
.....	285		
LINES GP-STEERING PART 2 OF 3	286		

INDEX

O

OPERATOR AR461
OPERATOR STATION417

P

PAINT GP-TRANSFER476
477
 PAN GP-OIL41
 PANEL GP-BREAKER150
151
152
153
PART NUMBER INDEX480
 PEDAL GP-BRAKE462
 PEDAL GP-GOVERNOR463
 PISTON GP-ROD42
 PLANETARY GP PART 1 OF 2202
203
 PLANETARY GP PART 2 OF 2203.00
203.01
 PLUG GP-CYLINDER HEAD118
POWER TRAIN186
 POWER TRAIN AR204
 PROTECTOR GP (CAB FRONT)464
 PULLEY GP-CRANKSHAFT43
 PUMP GP & MOUNTING (COOLING FAN)84
 PUMP GP & MOUNTING (HAND)367
 PUMP GP & MOUNTING (IMPLEMENT)366
 PUMP GP & MOUNTING (STEERING)291
 PUMP GP & MOUNTING-FUEL121
 PUMP GP-BASIC (COOLING FAN)363
 PUMP GP-BASIC (TRANSMISSION)362
 PUMP GP-ENGINE OIL60
61
 PUMP GP-FUEL INJECTOR119
 PUMP GP-GEAR (TRANSMISSION)364
 PUMP GP-HAND (BRAKE & BLADE)478
 PUMP GP-HAND (RAD & CAB TILT)365
 PUMP GP-HYDRAULIC (FUEL)120
 PUMP GP-PISTON (IMPLEMENT)368
 PUMP GP-PISTON PART 1 OF 2 (STEERING)370
371
 PUMP GP-PISTON PART 2 OF 2 (STEERING)372
373
 PUMP GP-WATER85
86

R

RADIATOR GP-BASIC88
89
 RADIATOR GP-COOLER90
 RECOIL GP-ADJUSTER LH SIDE248
249
 RECOIL GP-ADJUSTER RH SIDE246
247
 RECOVERY GP-ENGINE COOLANT91

ROLLER GP-MIDDLE250
251
 ROTATING GP-IMPLEMENT PUMP374

S

SCRAPER GP-IDLER252
 SEAL GP-BASIC (FLYWHEEL HOUSING)44
 SEAL GP-CRANKSHAFT45
 SEAT GP-SUSPENSION465
466
 SENDER GP-TEMP & PRESS154
156
157
 SENSOR GP-POSITION GEAR SELECT158
 SEPARATOR GP-WATER (7RR00003 THRU 40)122
123
 SEPARATOR GP-WATER (7RR00041-UP)124
125
SERVICE EQUIPMENT AND SUPPLIES473
 SHAFT GP-MAIN205
 SINGLETREE GP412
 STARTING KIT-COLD WEATHER (OPTIONAL)159
 STEERING GP-DIFFERENTIAL292
 STEERING GP-HYDRAULIC294
295
 SUPPORT GP (RADIATOR)253
 SUPPORT GP-ENGINE46
 SUPPORT GP-SUSPENSION LH SIDE256
257
 SUPPORT GP-SUSPENSION RH SIDE254
255
 SUSPENSION GP-SEAT468
469
 SWITCH GP160
161
162

T

TANK GP-FUEL126
127
 TANK GP-HYDRAULIC376
377
 TENSIONER GP LH SIDE258
259
 TENSIONER GP RH SIDE260
261
 TOOL GP479
 TORQUE CONVERTER GP206
207
 TORQUE CONVERTER GP-HOUSING PART 1 OF 2208
209
 TORQUE CONVERTER GP-HOUSING PART 2 OF 2210
211
 TRANSMISSION AR212
 TURBO GP102
 TURBO GP-BASIC103

INDEX

U

UNDERCARRIAGE AR262

V

VALVE GP & MOUNTING298
 VALVE GP & MOUNTING (BLADE LOCK)393
 VALVE GP & MOUNTING (BLADE)390
391
 VALVE GP & MOUNTING (CONV LOCK UP).....216
 VALVE GP & MOUNTING (LOCK OUT).....392
 VALVE GP & MOUNTING-STEERING SOLENOID297
 VALVE GP & MOUNTING-TRANS PRIORITY296
 VALVE GP-BANK (BLADE)378
 VALVE GP-BRAKE470
 VALVE GP-CHECK (LIFT)379
 VALVE GP-COMPENSATOR380
 VALVE GP-CONTROL (ANGLE)384
 VALVE GP-CONTROL (LIFT)383
 VALVE GP-CONTROL (MULTI-FUNCTION)386
387
 VALVE GP-CONTROL (TILT)382
 VALVE GP-FAN SPEED CONTROL381
 VALVE GP-IMPLEMENT MAKE UP388
 VALVE GP-LOCK UP CLUTCH/SOL214
215
 VALVE GP-PRESSURE RELIEF (ANGLE)394
 VALVE GP-RELIEF (FUEL)128
 VALVE GP-RELIEF (TORQUE CONV).....218
 VALVE GP-SELECTOR (TRANS GEAR)219
 VALVE GP-SOLENOID (BLADE LOCK).....395
 VALVE GP-SOLENOID (FUEL PUMP).....185
 VALVE GP-SOLENOID (GEAR SHIFT)396
 VALVE GP-SOLENOID (LOCK UP CLUTCH)299
 VALVE GP-SOLENOID (STEERING)300
 VALVE GP-SOLENOID (SUSP LOCK)397
 VALVE GP-TEST (TRANSMISSION)220
 VALVE GP-TRANS PRIORITY217

W

WINCH GP414
415
 WINCH GP-TOWING416
 WINDOW GP-CAB471
472
 WIRING GP & BATTERY163
 WIRING GP & BATTERY (OPTIONAL-ARCTIC)164
165
 WIRING GP & INSTRUMENT170
 WIRING GP-CONSOLE168
169
 WIRING GP-ENGINE CONTROL166
167
 WIRING GP-LIGHTING172
173
 WIRING GP-VEHICLE PART 1 OF 6174

.....175
 WIRING GP-VEHICLE PART 2 OF 6176
177
 WIRING GP-VEHICLE PART 3 OF 6178
179
 WIRING GP-VEHICLE PART 4 OF 6180
181
 WIRING GP-VEHICLE PART 5 OF 6182
183
 WIRING GP-VEHICLE PART 6 OF 6184

MACHINE ARRANGEMENT

1	1186804	BULLDOZER AR	401
1	1568587	CONTROL AS-ENGINE ECM (PRE-PROGRAMMED)	135
1	1447164	CHASSIS AR	222
1	1447169	ELECTRICAL AR	136
1	1287367	ENGINE AR-BASIC	16
1	1388046	ENGINE AR (SWAP-IN COMP)	15
1	1388051	FINAL DRIVE AR (SWAP-IN COMP) ..	15
1	1447162	GENERAL MACHINE AR.....	15
1	1447167	HYDRAULIC AR-AUX	334
1	1447168	HYDRAULIC AR.....	333
1	1448596	HYDRAULIC AR-FAN.....	67
1	1447163	INSTALLATION AR.....	18
1	1447166	OPERATOR AR	461
1	1447165	POWER TRAIN AR	204
1	1670604	STARTING KIT-COLD WEATHER	159
1	1447210	UNDERCARRIAGE AR	262
1	1450099	WINCH GP-TOWING	416

1447162 GENERAL MACHINE AR

ENGINE ARRANGEMENT

1	1228947	CONTROL GP & MTG (ENGINE)	135
1	1006269	COOLER GP-ENGINE OIL	62
1	1181727	COVER GP-FRONT HOUSING	22.01
1	1368888	COVER GP-ENGINE GEAR HSG	23
1	1399142	COVER GP-CYLINDER	24
1	1004943	COVER GP-VALVE MECH.....	25
1	1331348	DISPOSAL GP-FUMES	48
1	1154208	DRAIN GP-OIL PAN	28
1	1206657	DRIVE GP-WATER PUMP	29
1	1480768	ELBOW GP-AIR INLET	96
1	1420725	ENGINE AR-CORE	17
1	1547192	FASTENER GP-ENGINE GEAR HSG	29.01
1	1803666	FASTENER GP-ENGINE	30
1	1260458	FILTER GP-FUEL.....	104
1	1753222	FILTER GP-ENGINE OIL	50
1	1443440	FLYWHEEL GP	31
1	1187284	HEATER GP-AIR INLET.....	137
1	5R8847	HOUSING GP-FLYWHEEL	36
1	1014575	HOUSING GP-FRONT ENG GEAR....	37
1	1418267	LIFTING GP-ENGINE.....	39
1	7C2475	LINES GP-ENGINE OIL	53
1	7C2476	LINES GP-TURBO OIL	54
1	1004942	LINES GP-WATER	80
1	6I2298	MANIFOLD GP-EXHAUST.....	98
1	1265931	PAN GP-OIL	41
1	4W5429	PULLEY GP-CRANKSHAFT	43
1	1214328	PUMP GP-WATER	85
1	7C1770	SEAL GP-BASIC	44
1	1509573	SENSOR GP-TEMP & PRESS	156
1	1523385	WIRING GP-ENGINE CONTROL	166

1287367 ENGINE AR-BASIC

Part of 1447162 General Ar

ENGINE ARRANGEMENT

1	1291165	BLOCK GP-CYLINDER	20
1	1N3477	BREATHER GP	47
1	1051803	CAMSHAFT GP	22
1	1136087	CRANKSHAFT GP	26
1	1331345	DAMPER GP-PULLEY	27
1	1014540	GEAR GP-FRONT	32
1	1154078	HEAD GP-CYLINDER	35
6	1051792	LINES GP-HYD OIL	116
1	1171678	MANIFOLD GP-INLET	99
1	1013266	MECHANISM GP	40
6	1479592	PISTON GP-ROD	42
1	1212094	PLUG GP-CYLINDER HEAD	118
1	4W2195	PUMP GP-ENGINE OIL	61
6	1197001	PUMP GP-INJECTOR	119
1	1480954	PUMP GP & MTG-FUEL	121
1	1403051	SEAL GP-CRANKSHAFT	45
1	1334969	TURBO GP	102

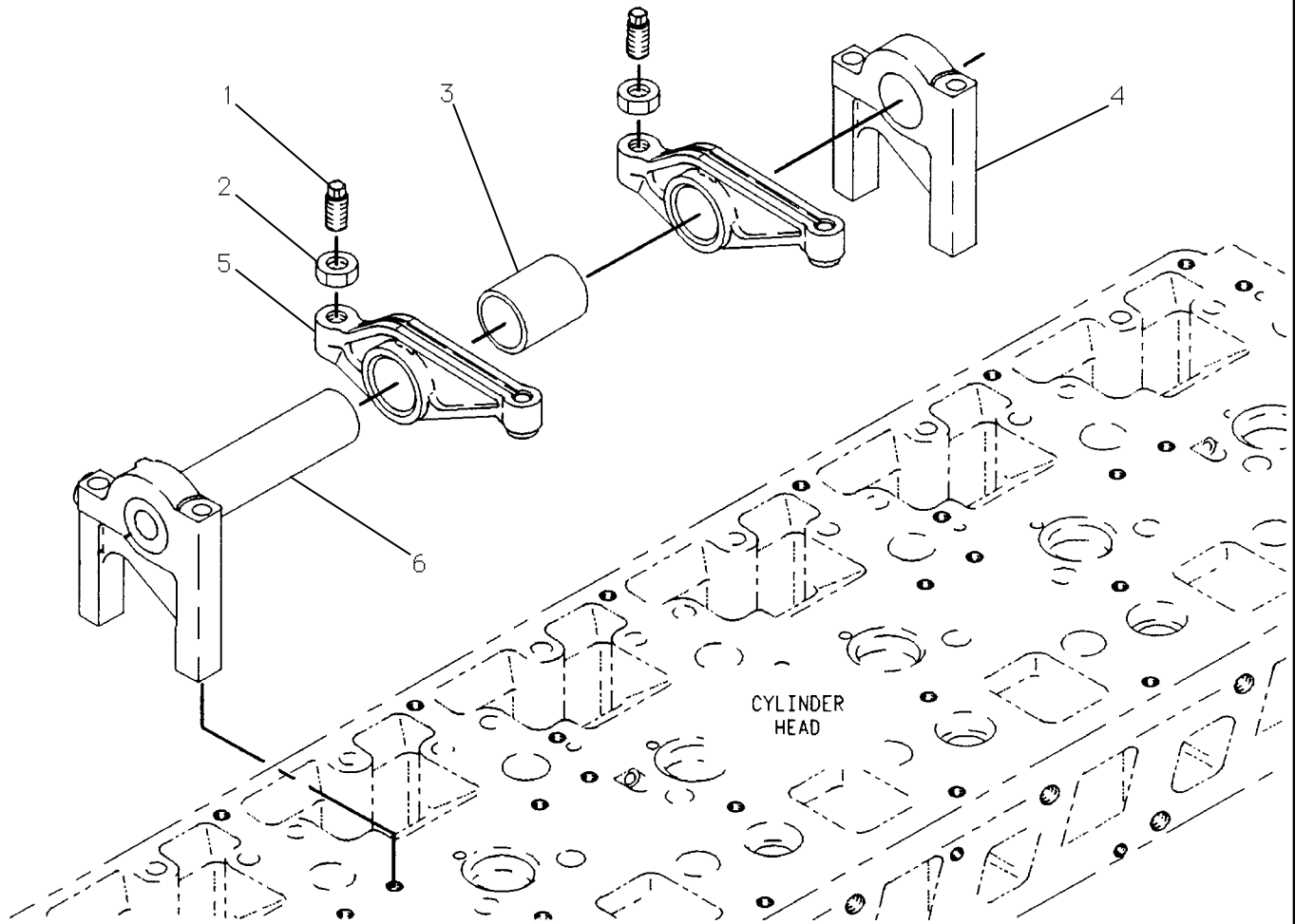
1420725 ENGINE AR-CORE
Part of 1287367 Engine Ar-Basic

ENGINE ARRANGEMENT

1	1265835	AID GP-ETHER STARTING	130
1	1450071	CLEANER GP-AIR	92
1	1265830	COMPRESSOR GP	427
1	1488882	FILLER GP-ENGINE OIL	49
1	1457262	GAGE GP-ENGINE OIL LEVEL.....	52
1	1493203	GUARD GP-ALTERNATOR BELT	33
1	1363939	LINES GP-COOLANT	68
1	1491125	MOTOR GP-ELECT STARTING	148
1	1302789	MTG GP-ALTERNATOR.....	149
1	1450072	MTG GP-FAN DRIVE	82
1	1304552	MTG GP-ENGINE OIL FILTER	56
1	1809106	MTG GP-ENGINE OIL FILTER	58
1	1361145	MUFFLER GP	100
1	1255578	RADIATOR GP	88
1	1455009	RECOVERY GP-ENGINE COOLANT	91
1	1228638	SUPPORT GP-ENGINE	46

1447163 INSTALLATION AR
Part of 1447162 General Ar

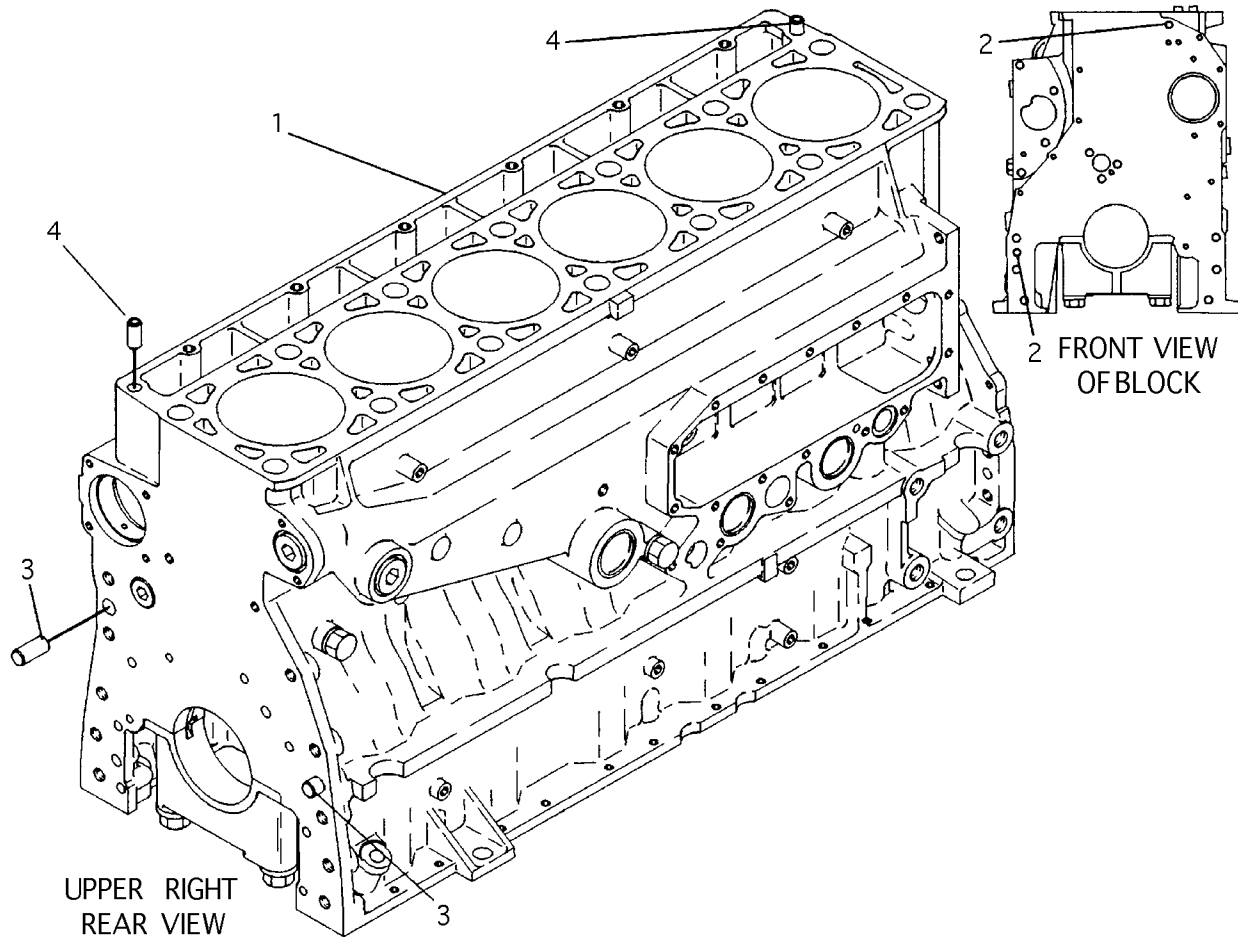
BASIC ENGINE



NOTE	REF NO	PART NUMBER	QTY	PART NAME	NOTE	REF NO	PART NUMBER	QTY	PART NAME
	1	9Y4832	2	SCREW-VALVE ADJUST					
	2	2Y5829	2	NUT-HEX					
	3	1013260	1	SPACER-ROCKER ARM					
	4	1013267	1	SUPPORT-SHAFT					
	5	1260480	2	ARM AS-ROCKER					
		6F4855	1	SEAL-O-RING (OD 19.2)					
		1154192	1	SOCKET-ARM					
		1154193	1	BUTTON-ROCKER ARM					
	6	1013262	1	SHAFT AS-ARM					
		2D6642	1	BALL					
		7M5130	1	PIN-SPRING					
		7W4137	1	SHAFT AS					
		0L1026	1	PLUG-CUP					

1154180 ARM GP-ROCKER
Part of 1013266 Mechanism Gp-Valve

BASIC ENGINE



NOTE	REF NO	PART NUMBER	QTY	PART NAME	NOTE	REF NO	PART NUMBER	QTY	PART NAME
Y	1	1291164	1	BLOCK GP-CYLINDER BASIC					
	2	6V3538	2	DOWEL					
	3	7N5683	2	DOWEL					
	4	1W8407	2	SLEEVE					
AF	-	1077604	1	SLEEVE-CYLINDER (FOR SALVAGE OF DAMAGED CYLINDER BORES IN BLOCK. QUANTITY TO BE DETERMINED BY USER.)					

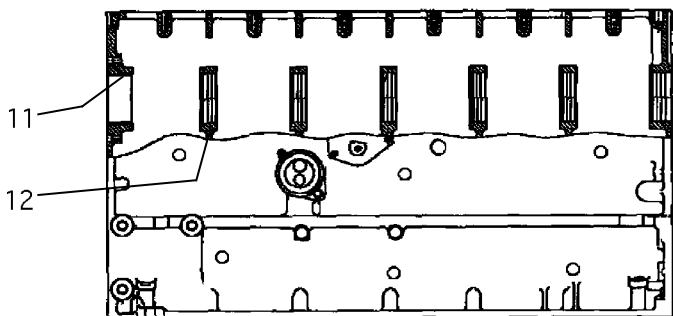
A - NOT PART OF THIS GROUP
 F - USE AS REQUIRED
 Y - SEPARATE ILLUSTRATION

1291165 BLOCK GP-CYLINDER

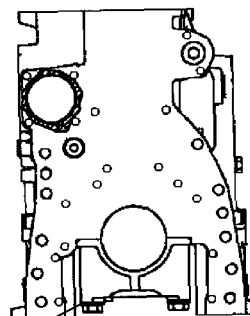
1291164-Page 21

Part of 1420725 Engine Ar-Core

BASIC ENGINE

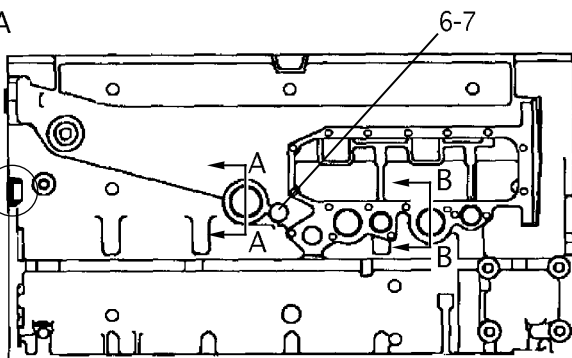


L.H. SIDE VIEW

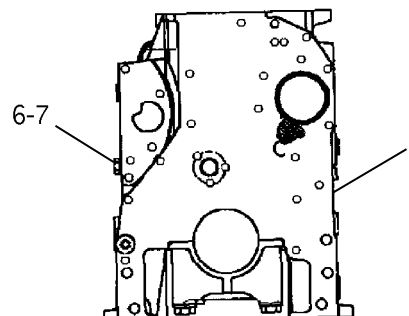


REAR VIEW

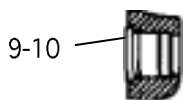
SEE DETAIL A



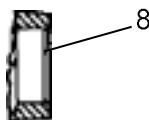
R.H. SIDE VIEW



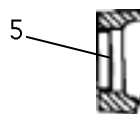
FRONT VIEW



DETAIL A



SECTION A-A



SECTION B-B

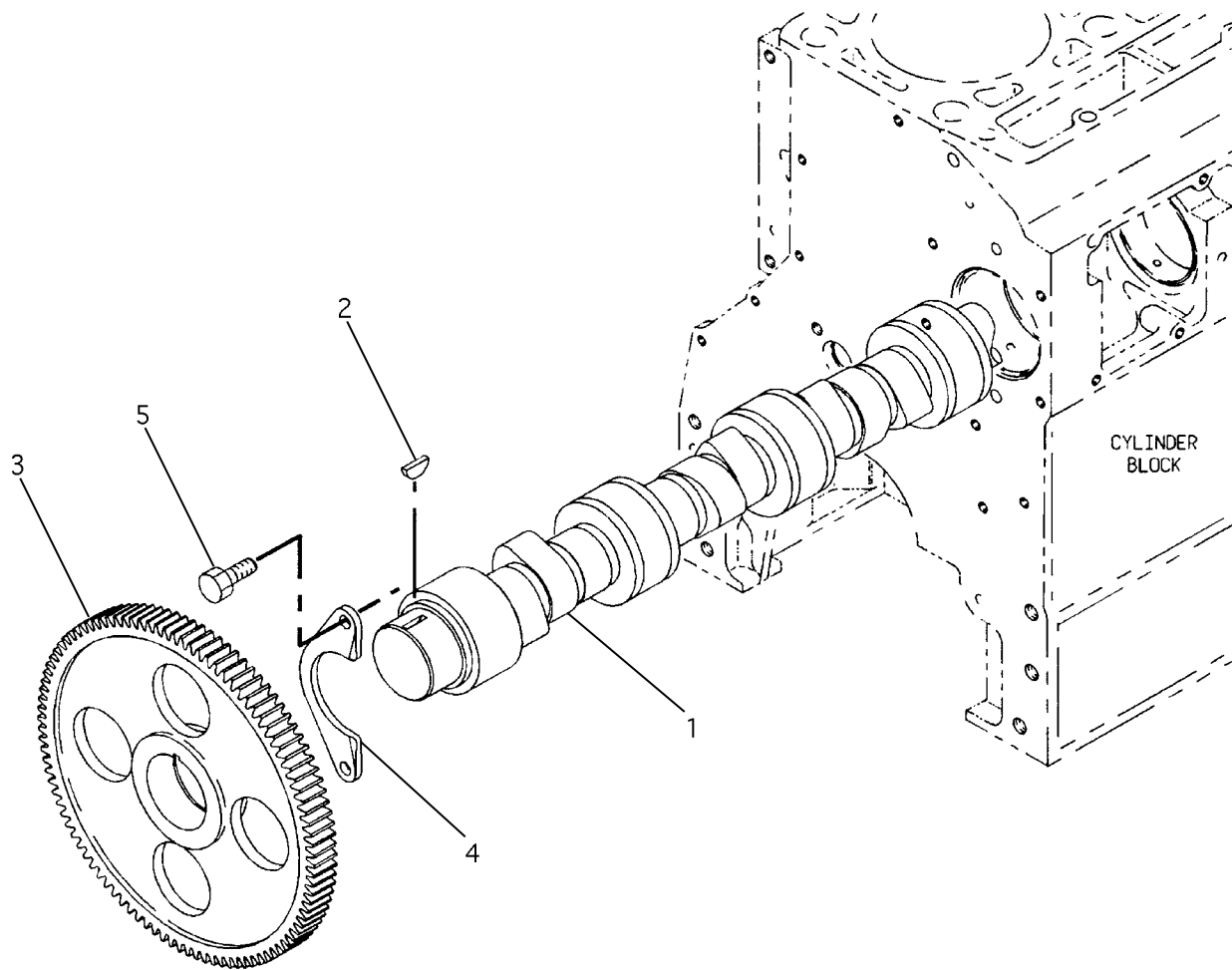
NOTE	REF NO	PART NUMBER	QTY	PART NAME	NOTE	REF NO	PART NUMBER	QTY	PART NAME
	1	1291163	1	BLOCK AS					
	2	5P8247	14	WASHER-HARD					
	3	7E2968	7	CAP-CRANKSHAFT					
	4	9X8916	14	BOLT-SPECIAL					
	5	2M6471	2	PLUG-CUP					
A	6	6F7062	1	WASHER					
A	7	8T0293	1	BOLT					
	8	3H5552	1	PLUG-CUP					
	9	9S8006	1	PLUG-O-RING					
	10	2M9780	1	SEAL-O-RING (ORB-OD 24.2)					
	11	2W7211	1	BEARING-SLEEVE					
	12	2W7213	6	BEARING-SLEEVE					

A - NOT PART OF THIS GROUP (PART OF 159-0303 PLUG GP)

1291164 BLOCK GP-CYLINDER BASIC

Part of 1291165 Block Gp-Cylinder

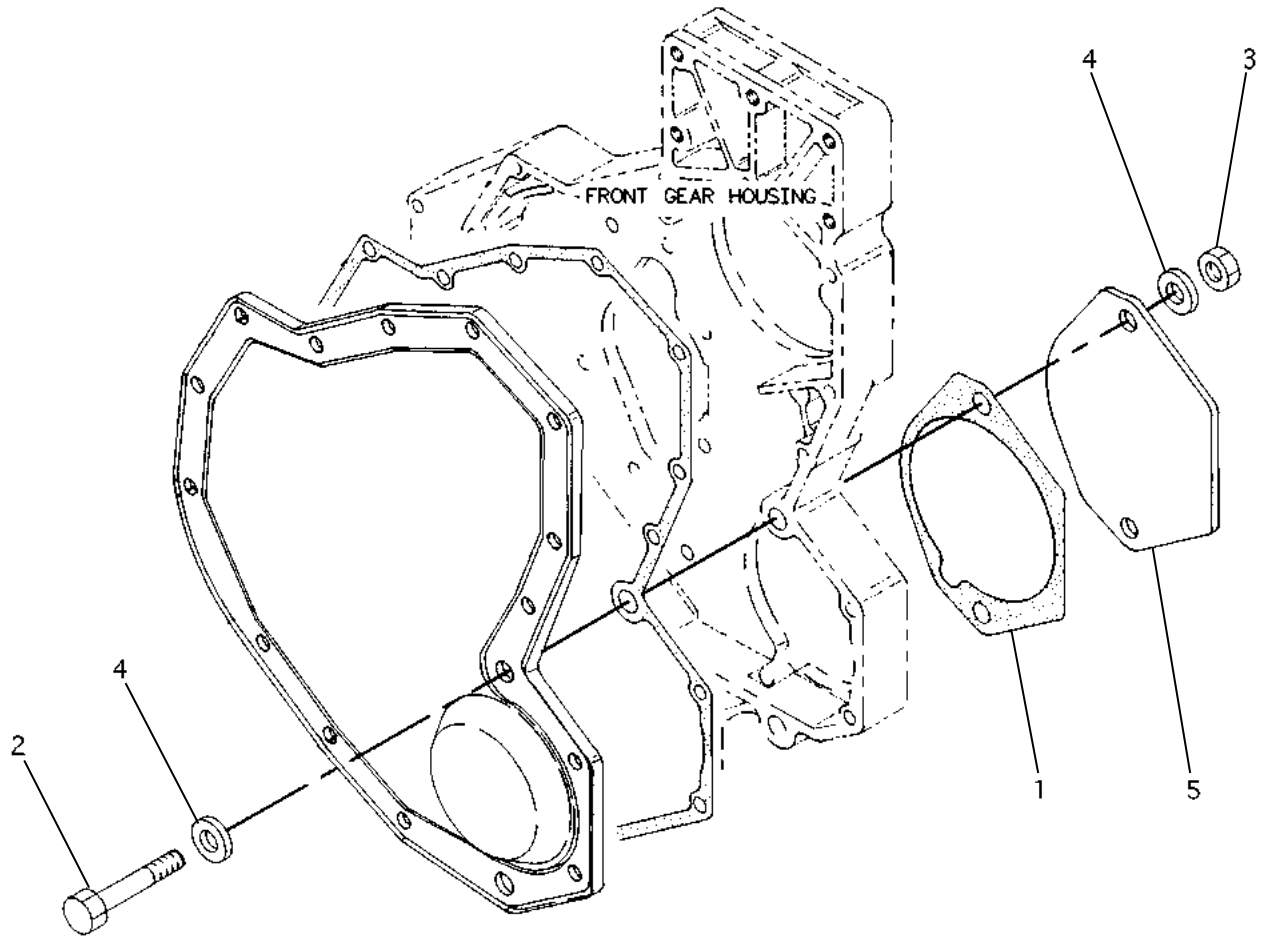
BASIC ENGINE



NOTE	REF NO	PART NUMBER	QTY	PART NAME	NOTE	REF NO	PART NUMBER	QTY	PART NAME
	1	1278841	1	CAMSHAFT AS					
	2	1B8705	1	KEY-WOODRUFF					
	3	1077809	1	GEAR-CAMSHAFT					
	4	1077694	1	PLATE-THRUST					
	5	6V3940	2	BOLT					

1051803 CAMSHAFT GP
Part of 1420725 Engine Ar-Core

BASIC ENGINE



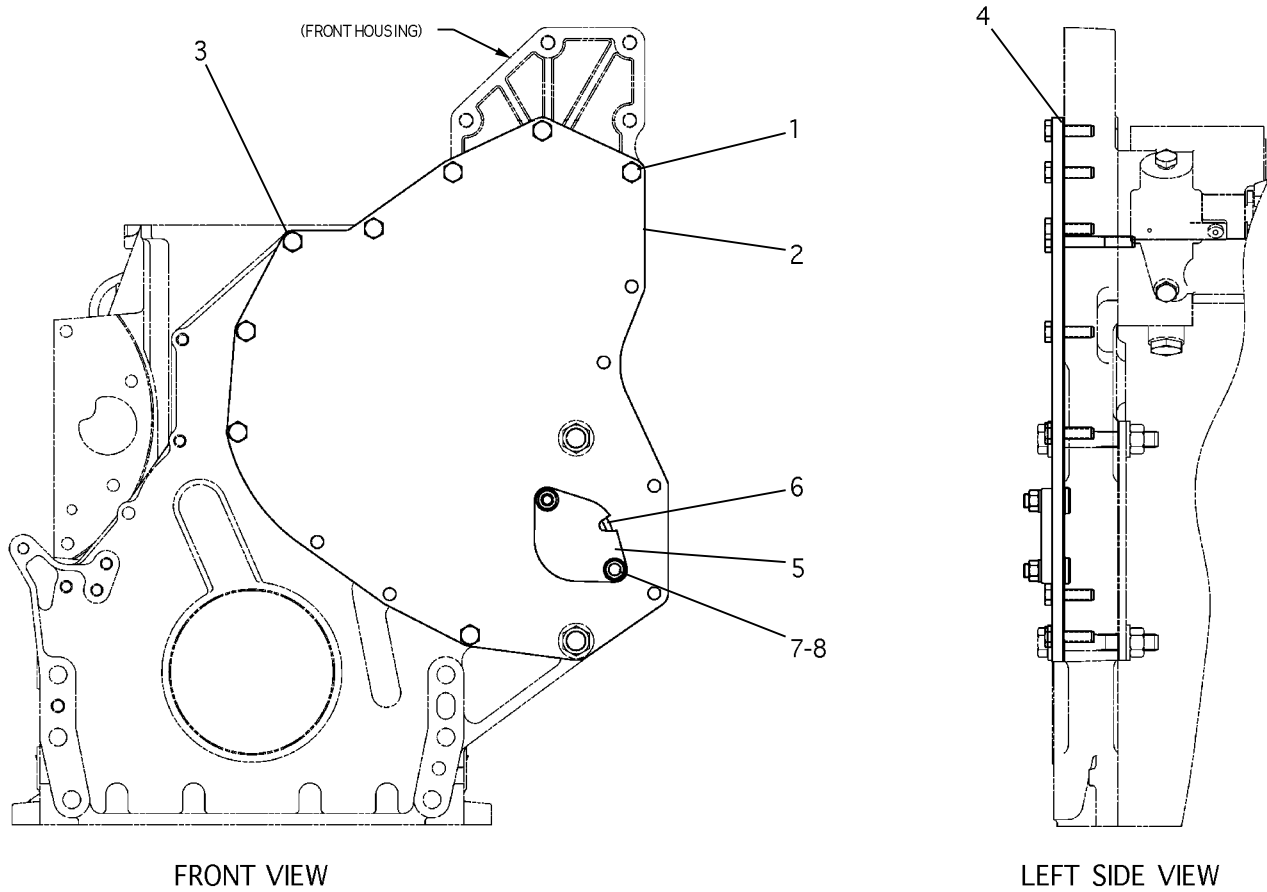
NOTE	REF NO	PART NUMBER	QTY	PART NAME	NOTE	REF NO	PART NUMBER	QTY	PART NAME
	1	1359819	1	SEAL					
M	2	6V5696	2	BOLT (M12)					
M	3	6V8149	2	NUT-HEX (M12)					
	4	5P8245	4	WASHER-HARD					
	5	4W2026	1	COVER					

M - METRIC PART

1181727 COVER GP-FRONT HOUSING

Part of 1287367 Engine Ar-Basic

BASIC ENGINE



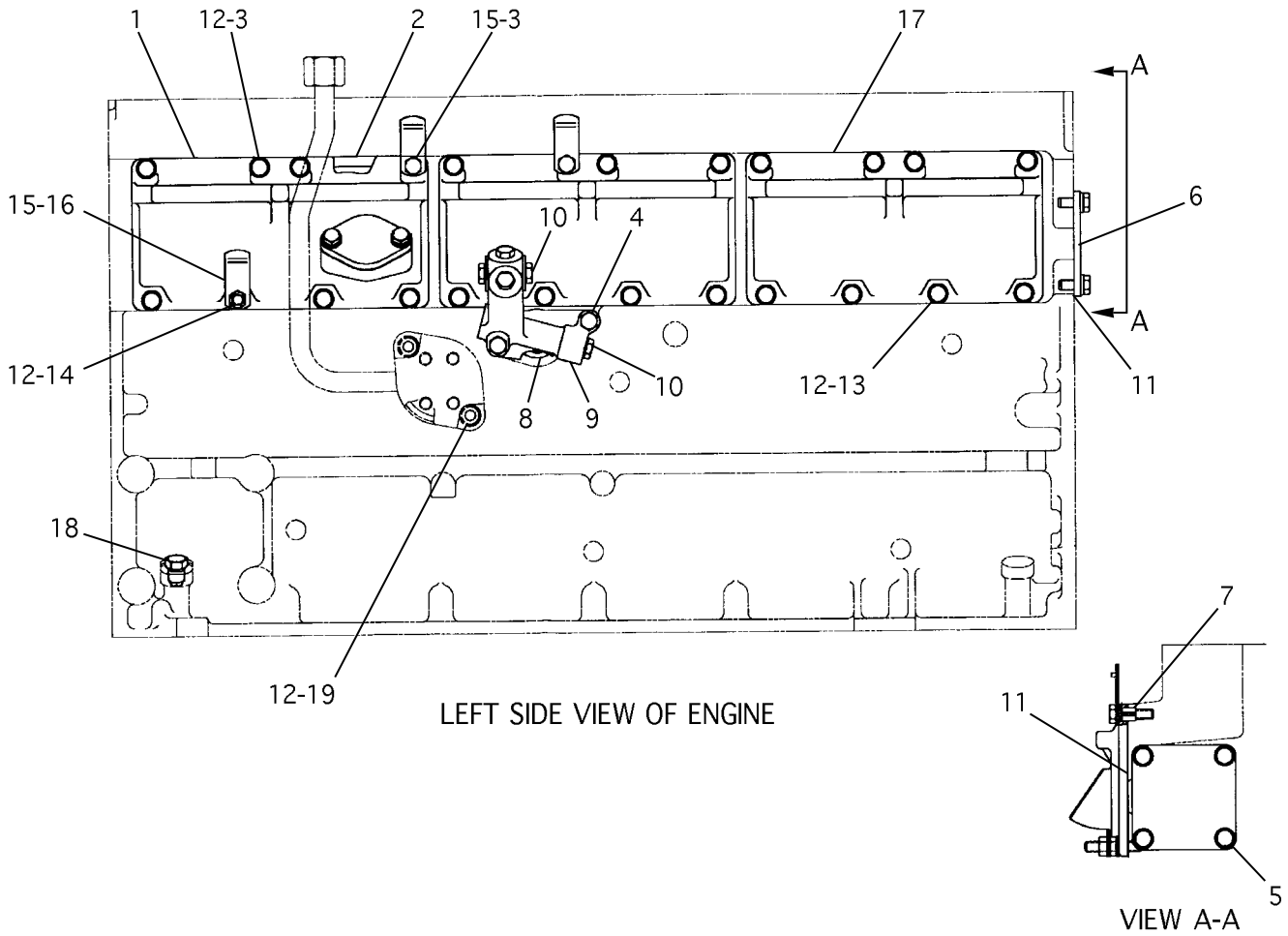
NOTE	REF NO	PART NUMBER	QTY	PART NAME	NOTE	REF NO	PART NUMBER	QTY	PART NAME
M	1	6V2317	7	BOLT (M8 X 30 MM LG)					
	2	1360823	1	COVER AS					
		1261757	2	WASHER-SEALING					
		1360822	2	STUD					
M	3	8T0100	1	BOLT (M8 X 60 MM LG)					
	4	1393526	1	GASKET					
	5	7C1445	1	COVER					
	6	0619455	1	SEAL					
	7	8T4224	2	WASHER					
M	8	5C7261	2	NUT (M8)					

M - METRIC PART

1368888 COVER GP-ENGINE GEAR HSG

Part of 1287367 Engine Ar-Basic

BASIC ENGINE



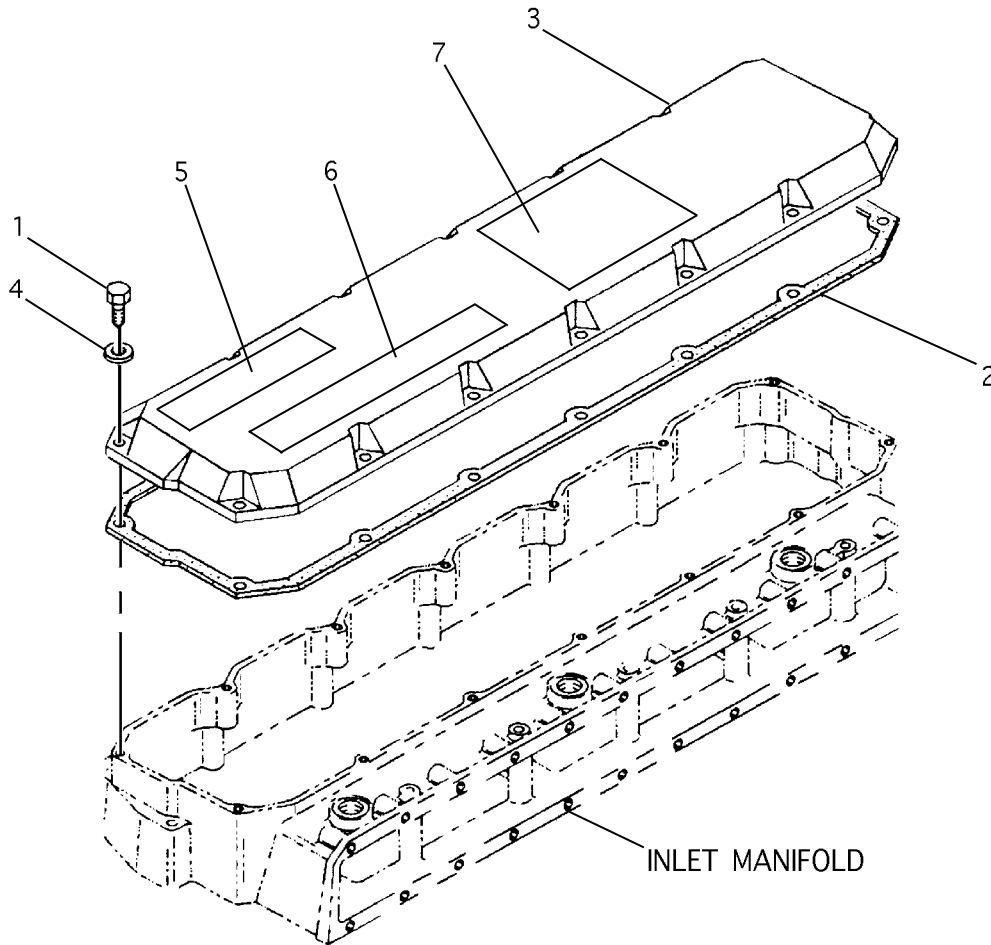
NOTE	REF NO	PART NUMBER	QTY	PART NAME	NOTE	REF NO	PART NUMBER	QTY	PART NAME
	1	7W9395	1	COVER-SIDE					
	2	4Y9652	3	GASKET					
M	3	6V2317	12	BOLT (M8 X 30 MM LG)					
M	4	6V5219	2	BOLT (M8)					
M	5	1107618	4	BOLT AS-SEMS (M8)					
	6	2W6544	1	COVER					
	7	7W3872	6	SLEEVE					
	8	4F9029	1	SEAL-O-RING (OD 36.8)					
	9	1184329	1	MANIFOLD-OIL					
	10	8T6765	5	PLUG-PIPE					
B	11	1U8846	1	GASKET MAKER					
	12	9M1974	24	WASHER-HARD					
M	13	6V5217	11	BOLT (M8)					
M	14	9X2097	1	STUD-BOLT (M8)					
	15	4P5918	3	CLIP					
M	16	5C7261	1	NUT (M8)					
	17	7W3871	2	COVER-SIDE					
	18	1S2563	3	PLUG					
M	19	6V3940	2	BOLT (M8)					

B - USE AS REQUIRED
M - METRIC PART

1399142 COVER GP-CYLINDER

Part of 1287367 Engine Ar-Basic

BASIC ENGINE



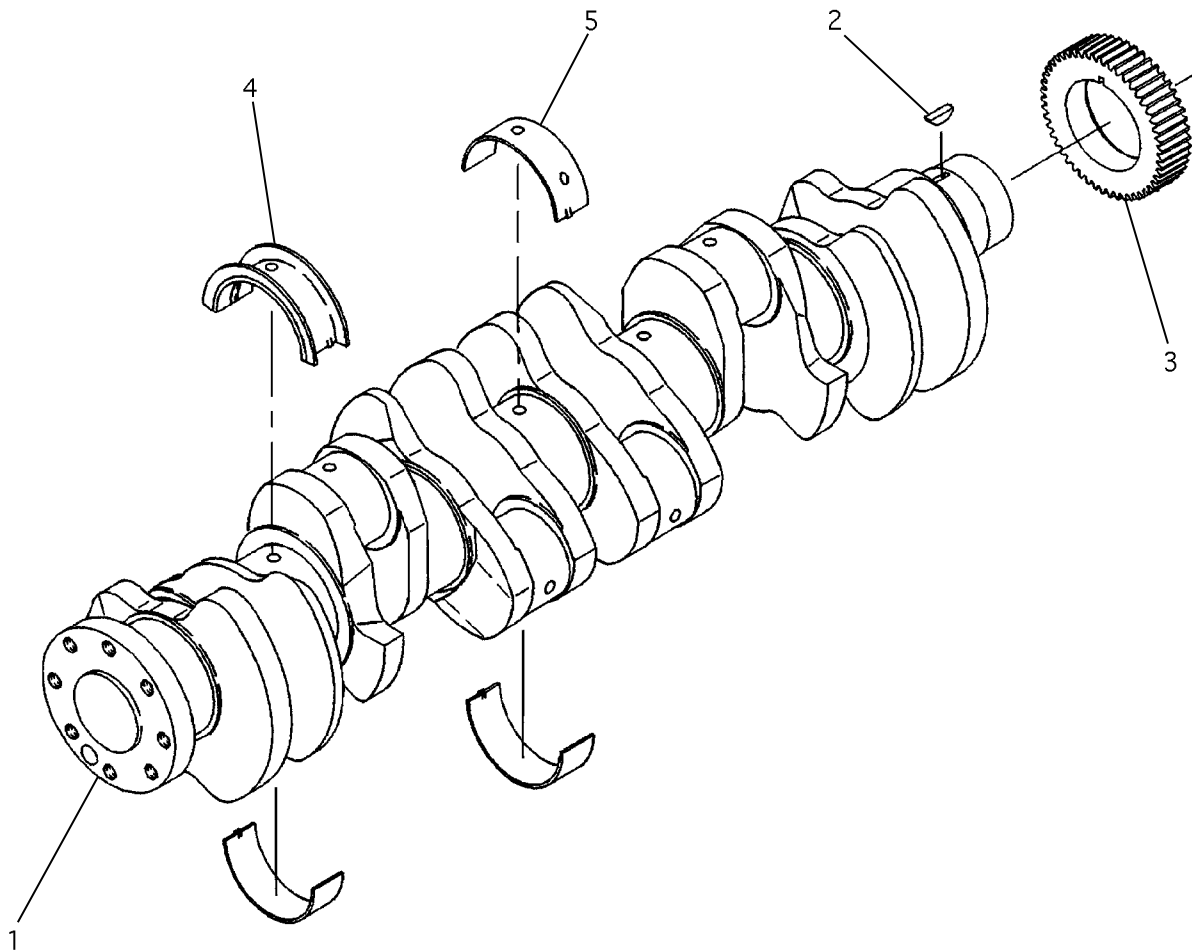
NOTE	REF NO	PART NUMBER	QTY	PART NAME	NOTE	REF NO	PART NUMBER	QTY	PART NAME
M	1	6V2315	14	BOLT (M6)					
	2	1192940	1	GASKET					
	3	1192962	1	COVER					
	4	5P0537	14	WASHER-HARD					
A	5	1155852	1	FILM-INFO (ENGINE RATING)					
A	6	7E8050	1	FILM-CERTIFICATION					
A	7	1186305	1	FILM-WARNING					

A - NOT PART OF THIS GROUP
M - METRIC PART

1004943 COVER GP-VALVE MECHANISM

Part of 1287367 Engine Ar-Basic

BASIC ENGINE



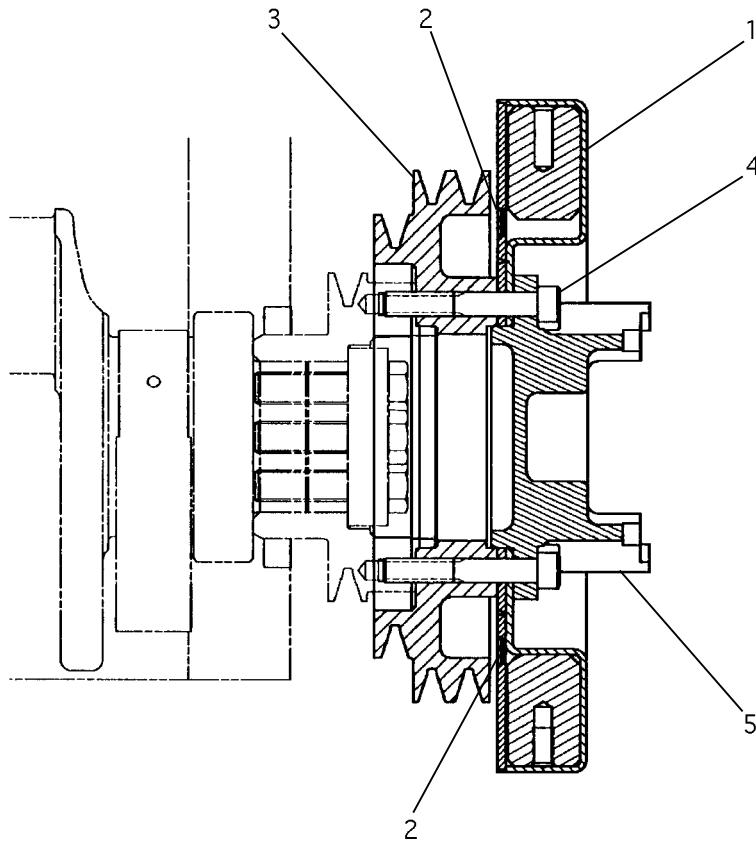
NOTE	REF NO	PART NUMBER	QTY	PART NAME	NOTE	REF NO	PART NUMBER	QTY	PART NAME
	1	1051725	1	CRANKSHAFT AS					
	2	1B8705	1	KEY-WOODRUFF					
	3	2W8147	1	GEAR-CRANKSHAFT					
	4	1077602	1	BEARING-THRUST					
		7C6966	1	BEARING-THRUST (0.25 MM US)					
		7C6967	1	BEARING-THRUST (0.50 MM US)					
		7C6969	1	BEARING-THRUST (0.50 MM OS)					
		7C6970	1	BEARING-THRUST (0.50 MM US - 0.50 MM OS)					
	5	1077708	6	BEARING-MAIN					
AB		1450162	1	BEARING-MAIN (0.25 MM US)					
AB		1450164	1	BEARING-MAIN (0.50 MM US)					
AB		1450168	1	BEARING-MAIN (0.50 MM OS)					
AB		1450170	1	BEARING-MAIN (0.50 MM US - 0.50 MM OS)					

A - NOT PART OF THIS GROUP
 B - USE AS REQUIRED

1136087 CRANKSHAFT GP

Part of 1420725 Engine Ar-Core

BASIC ENGINE

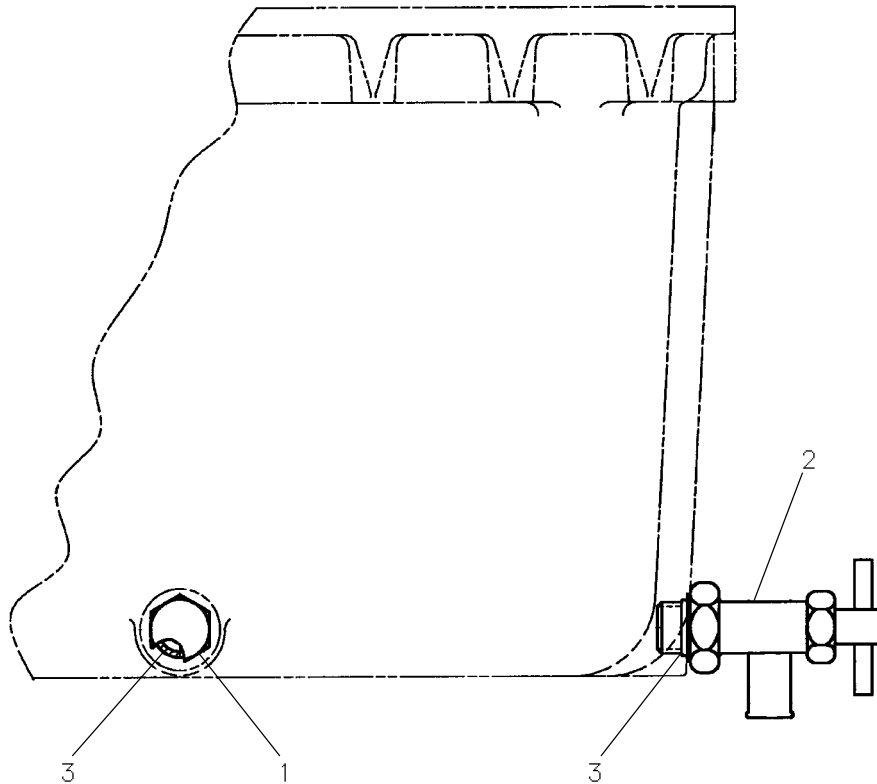


NOTE	REF NO	PART NUMBER	QTY	PART NAME	NOTE	REF NO	PART NUMBER	QTY	PART NAME
M	1	7C8444	1	DAMPER AS					
	2	5M9709	2	PLUG-EXPANSION					
	3	1314748	1	PULLEY-CRANKSHAFT					
	4	0950658	8	BOLT-SOCKET HEAD (M10)					
	5	7C2272	1	YOKE-HYD PUMP DRIVE					

M - METRIC PART

1331345 DAMPER GP-PULLEY
Part of 1420725 Engine Ar-Core

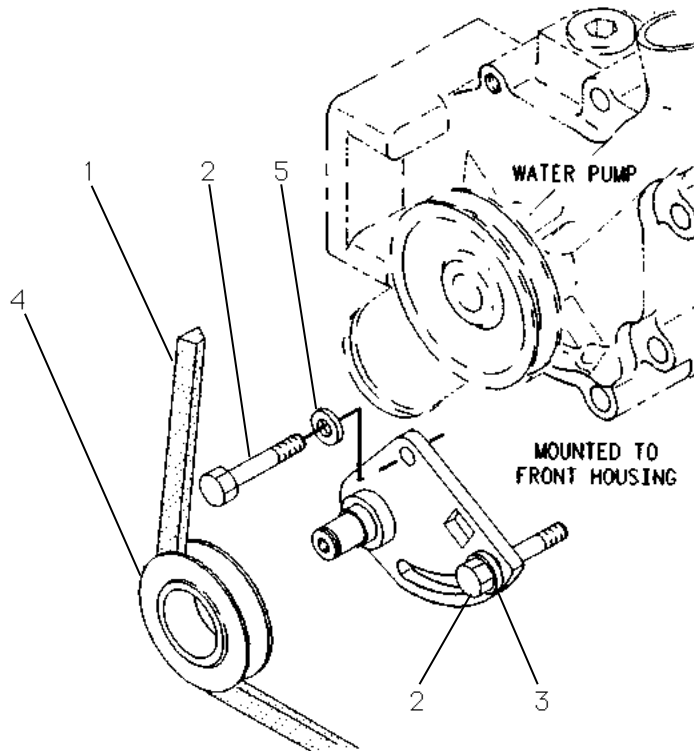
BASIC ENGINE



NOTE	REF NO	PART NUMBER	QTY	PART NAME	NOTE	REF NO	PART NUMBER	QTY	PART NAME
	1	1183619	1	PLUG-STOP					
	2	6V7238	1	VALVE-SHUTOFF					
	3	3K0360	2	SEAL-O-RING (ORB-OD 20.8)					

1154208 DRAIN GP-OIL PAN
Part of 1287367 Engine Ar-Basic

BASIC ENGINE

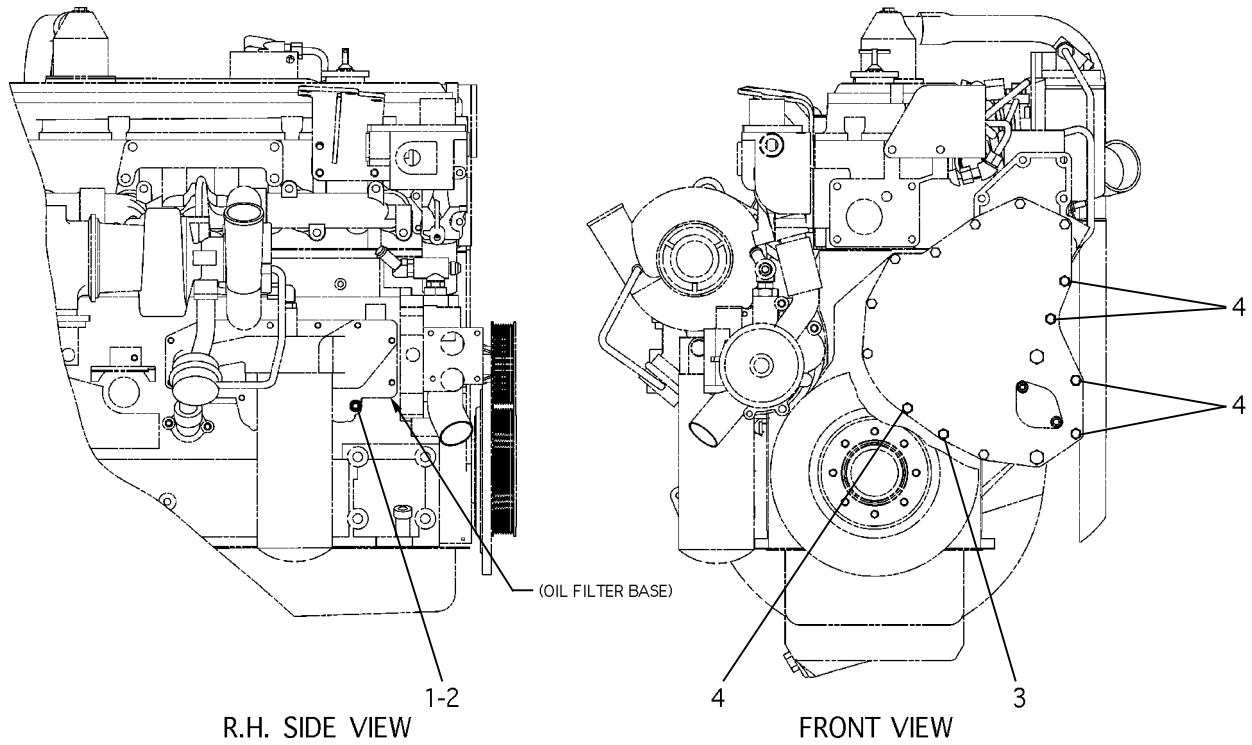


NOTE	REF NO	PART NUMBER	QTY	PART NAME	NOTE	REF NO	PART NUMBER	QTY	PART NAME
M	1	0366775	1	BELT-VEE					
	2	6V2317	2	BOLT (M8 X 30 MM LG)					
	3	3E4352	1	WASHER-HARD					
	4	1154204	1	PULLEY AS-IDLER					
		2L8509	1	RING-RETAINING					
		1006267	1	PLATE AS-IDLER					
		1177114	1	BEARING AS-BALL					
	5	9M1974	1	WASHER-HARD					

M - METRIC PART

1206657 DRIVE GP-WATER PUMP
Part of 1287367 Engine Ar-Basic

BASIC ENGINE



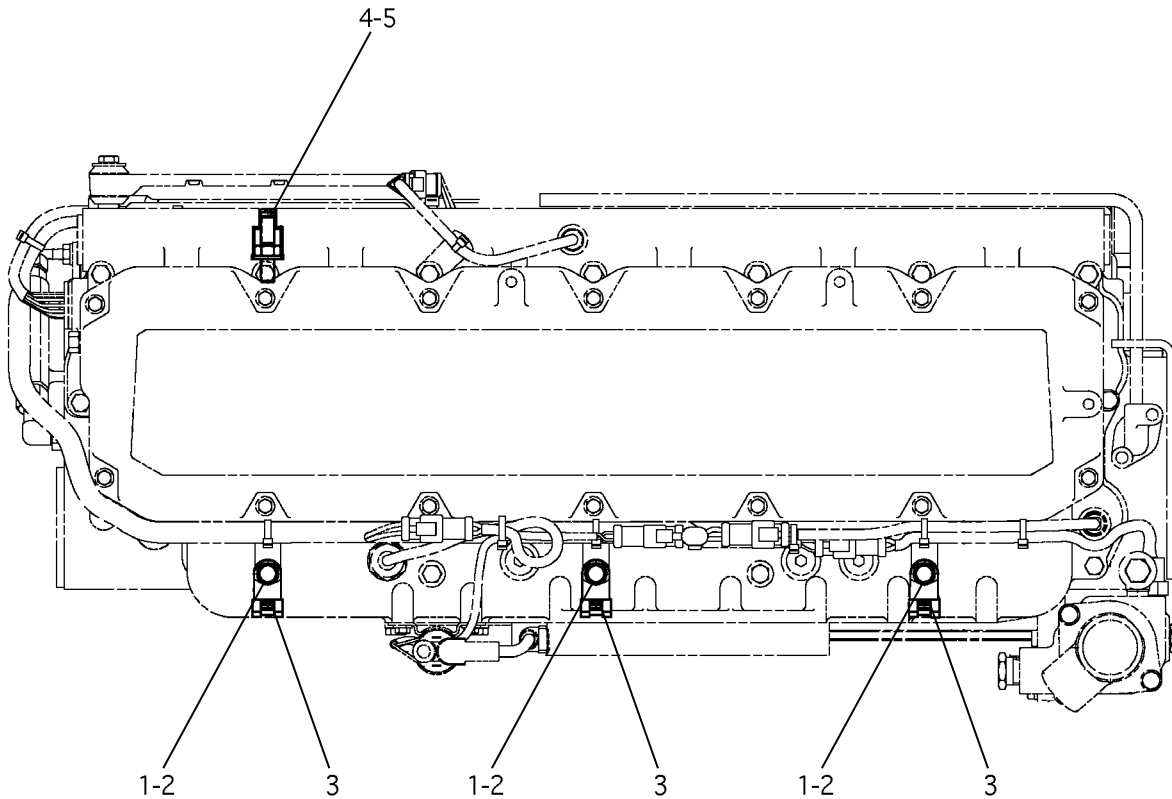
NOTE	REF NO	PART NUMBER	QTY	PART NAME	NOTE	REF NO	PART NUMBER	QTY	PART NAME
M	1	9X2098	1	STUD-BOLT (M8)					
	2	8T4224	1	WASHER-HARD					
M	3	8T0100	1	BOLT (M8 X 60 MM LG)					
M	4	6V2317	5	BOLT (M8 X 30 MM LG)					

M - METRIC PART

1547192 FASTENER GP-ENGINE GEAR HSG

Part of 1287367 Engine Ar-Basic

BASIC ENGINE



TOP VIEW

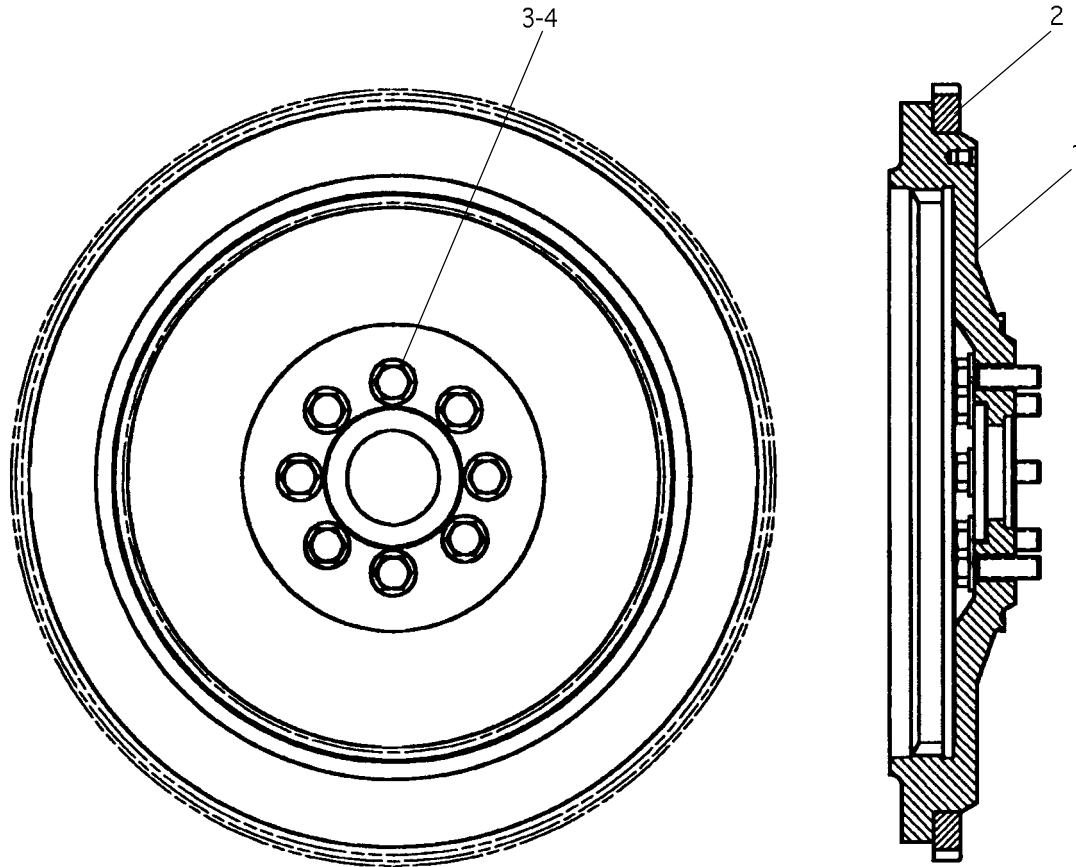
NOTE	REF NO	PART NUMBER	QTY	PART NAME	NOTE	REF NO	PART NUMBER	QTY	PART NAME
M	1	6V3821	3	BOLT (M8)					
	2	9M1974	3	WASHER-HARD					
	3	4P8134	3	CLIP					
M	4	1013129	1	STUD-BOLT (M10)					
	5	8T4121	1	WASHER-HARD					

M - METRIC PART

1803666 FASTENER GP-ENGINE

Part of 1287367 Engine Ar-Basic

BASIC ENGINE

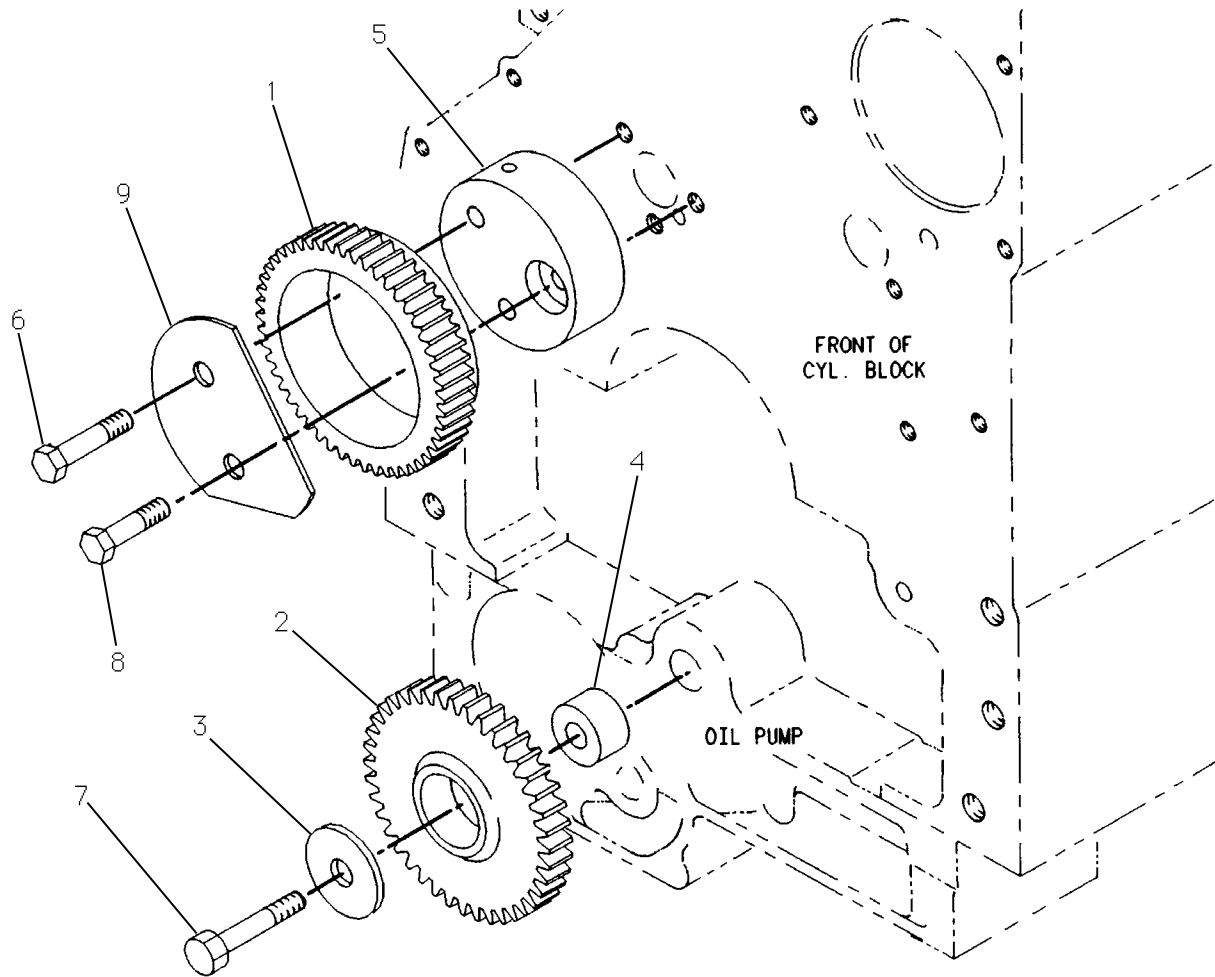


NOTE	REF NO	PART NUMBER	QTY	PART NAME	NOTE	REF NO	PART NUMBER	QTY	PART NAME
M	1	1432171	1	FLYWHEEL AS					
	2	7W5095	1	GEAR-FLYWHEEL					
	3	6V8197	8	BOLT-LOCKING (M12)					
	4	5P8245	8	WASHER-HARD					

M - METRIC PART

1443440 FLYWHEEL GP
Part of 1287367 Engine Ar-Basic

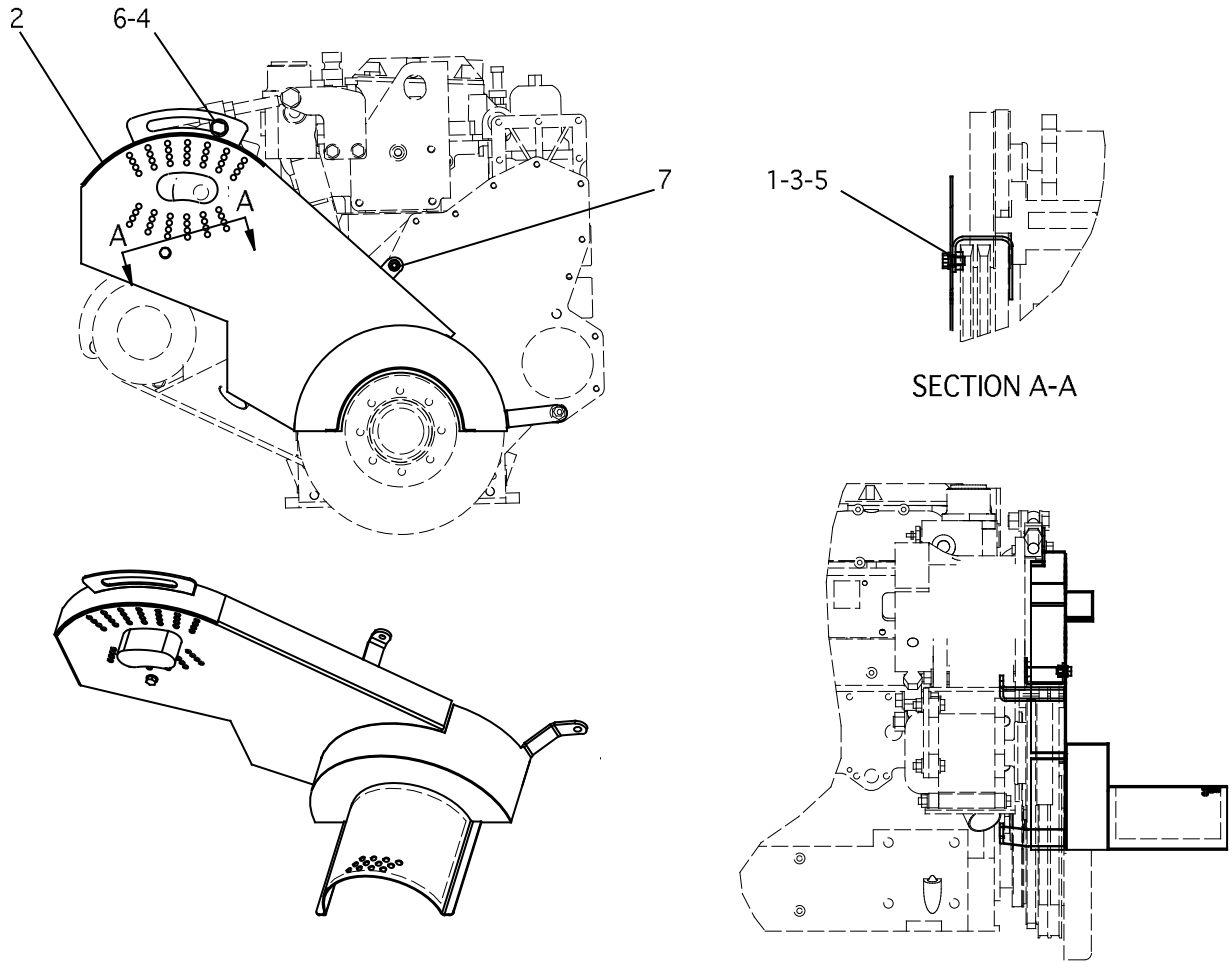
BASIC ENGINE



NOTE	REF NO	PART NUMBER	QTY	PART NAME	NOTE	REF NO	PART NUMBER	QTY	PART NAME
	1	2W8476	1	GEAR AS-IDLER					
		2W7566	1	BEARING-SLEEVE					
	2	7W9740	1	GEAR AS-IDLER					
		7W9930	1	BEARING-SLEEVE					
	3	7W9738	1	WASHER					
	4	7W9737	1	SHAFT-OIL PUMP					
	5	1013207	1	SHAFT-CAM IDLER					
	6	6V5843	2	BOLT					
	7	9X2305	1	BOLT-LOCKING					
	8	6V3822	1	BOLT					
	9	1013208	1	PLATE-RETAINING					

1014540 GEAR GP-FRONT
Part of 1420725 Engine Ar-Core

BASIC ENGINE



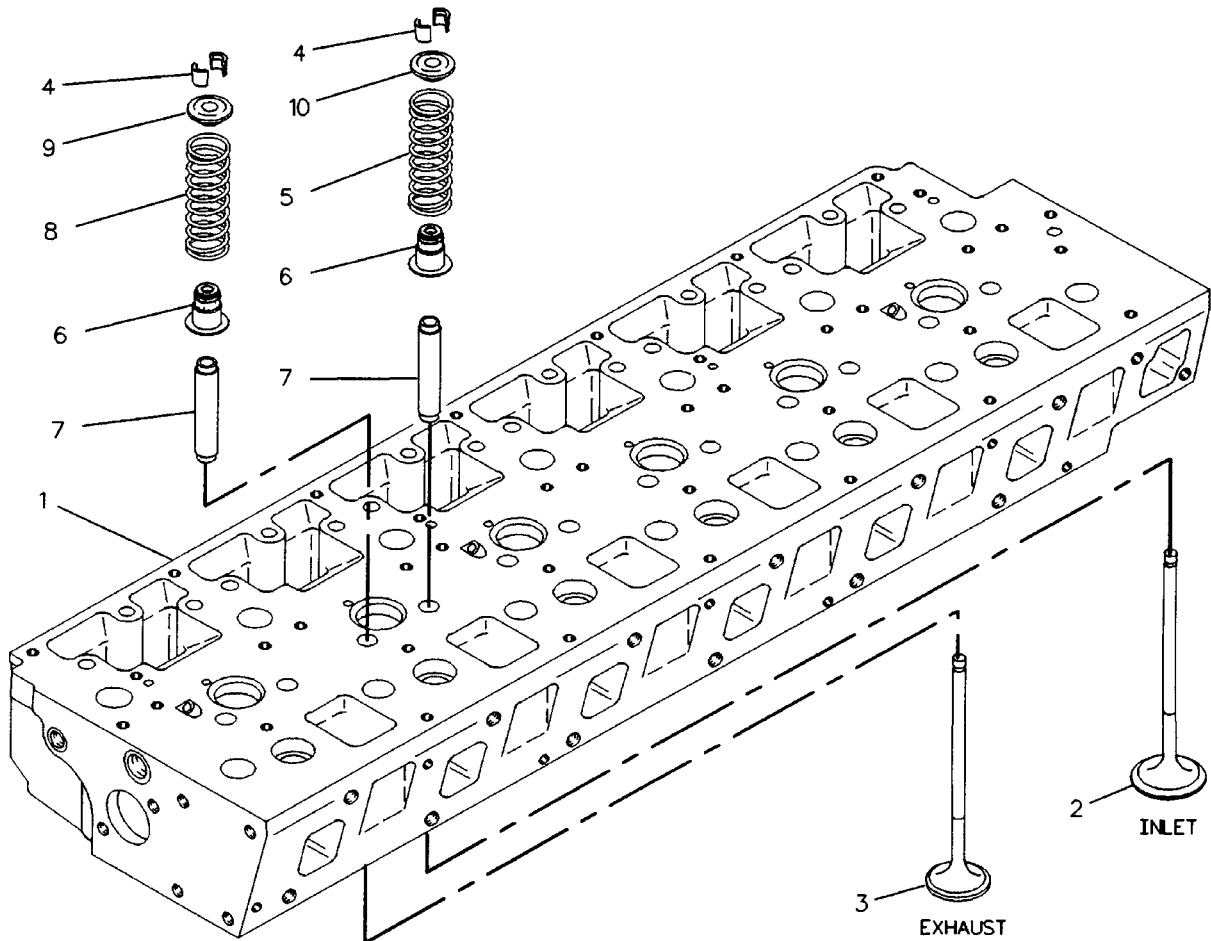
NOTE	REF NO	PART NUMBER	QTY	PART NAME	NOTE	REF NO	PART NUMBER	QTY	PART NAME
	1	1344408	1	BRACKET AS					
		8T3612	1	NUT-WELD					
	2	1493204	1	GUARD AS					
	3	5P4116	1	WASHER-HARD					
M	4	8T4139	1	BOLT-HEX HEAD (M12)					
M	5	8T4200	1	BOLT-HEX HEAD (M8)					
	6	8T4223	2	WASHER-HARD					
	7	8T4224	1	WASHER-HARD					

M - METRIC PART

1493203 GUARD GP-ALTERNATOR BELT

Part of 1447163 Installation Ar

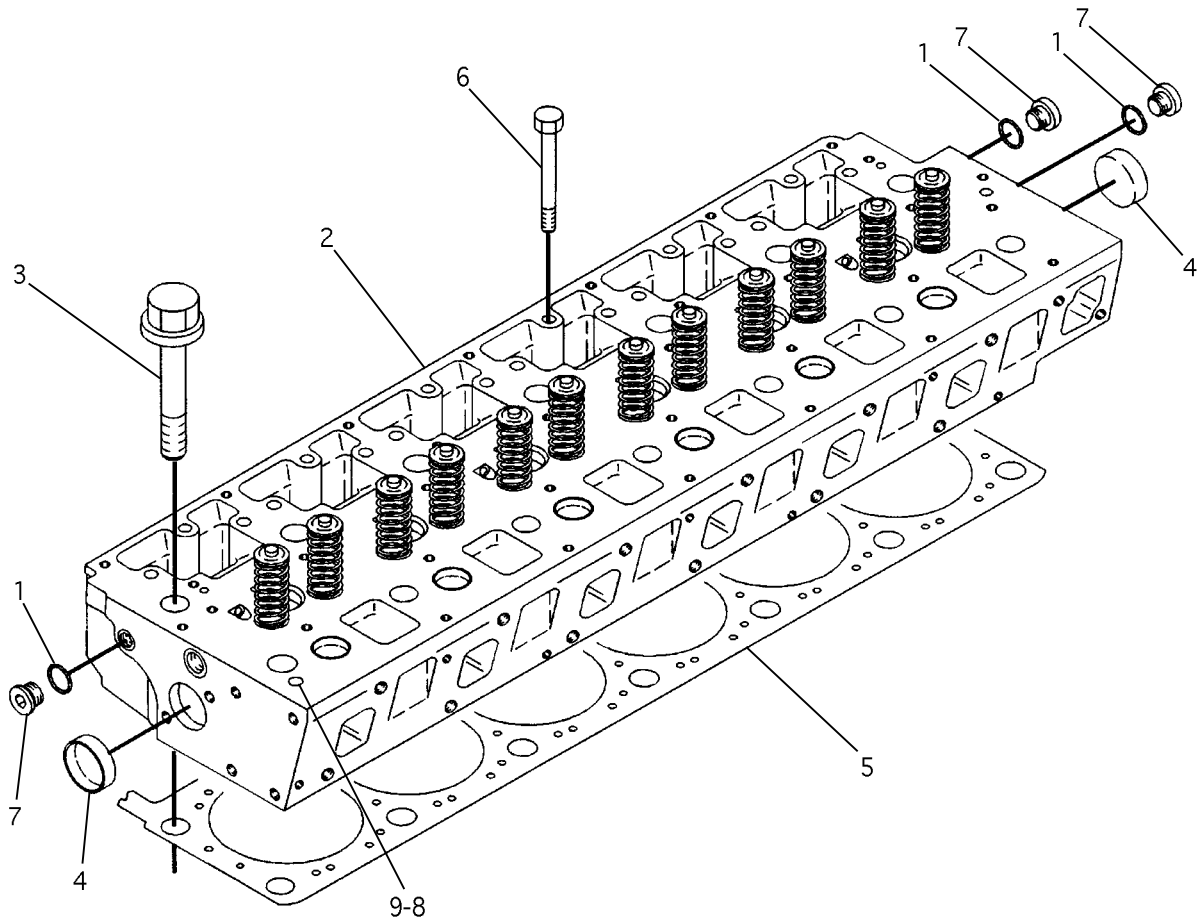
BASIC ENGINE



NOTE	REF NO	PART NUMBER	QTY	PART NAME	NOTE	REF NO	PART NUMBER	QTY	PART NAME
	1	1407372	1	CYLINDER HEAD AS					
		1W2713	6	INSERT-V-SEAT					
		8M5860	6	PLUG-CUP					
		1193061	6	SLEEVE					
		1309004	6	INSERT-VALVE					
	2	1136180	6	VALVE-INLET					
	3	1360819	6	VALVE-EXHAUST					
	4	1W2715	24	LOCK-RETAINER					
	5	7C4273	6	SPRING-VALVE					
	6	1193036	12	SEAL-VALVE STEM					
	7	9Y8848	12	GUIDE-VALVE					
	8	6I2307	6	SPRING-VALVE					
	9	1335037	6	RETAINER-SPRING					
	10	7E7779	6	RETAINER-SPRING					

1193066 HEAD GP-CYLINDER BASIC
 Part of 1154078 Head Gp-Cylinder Basic

BASIC ENGINE

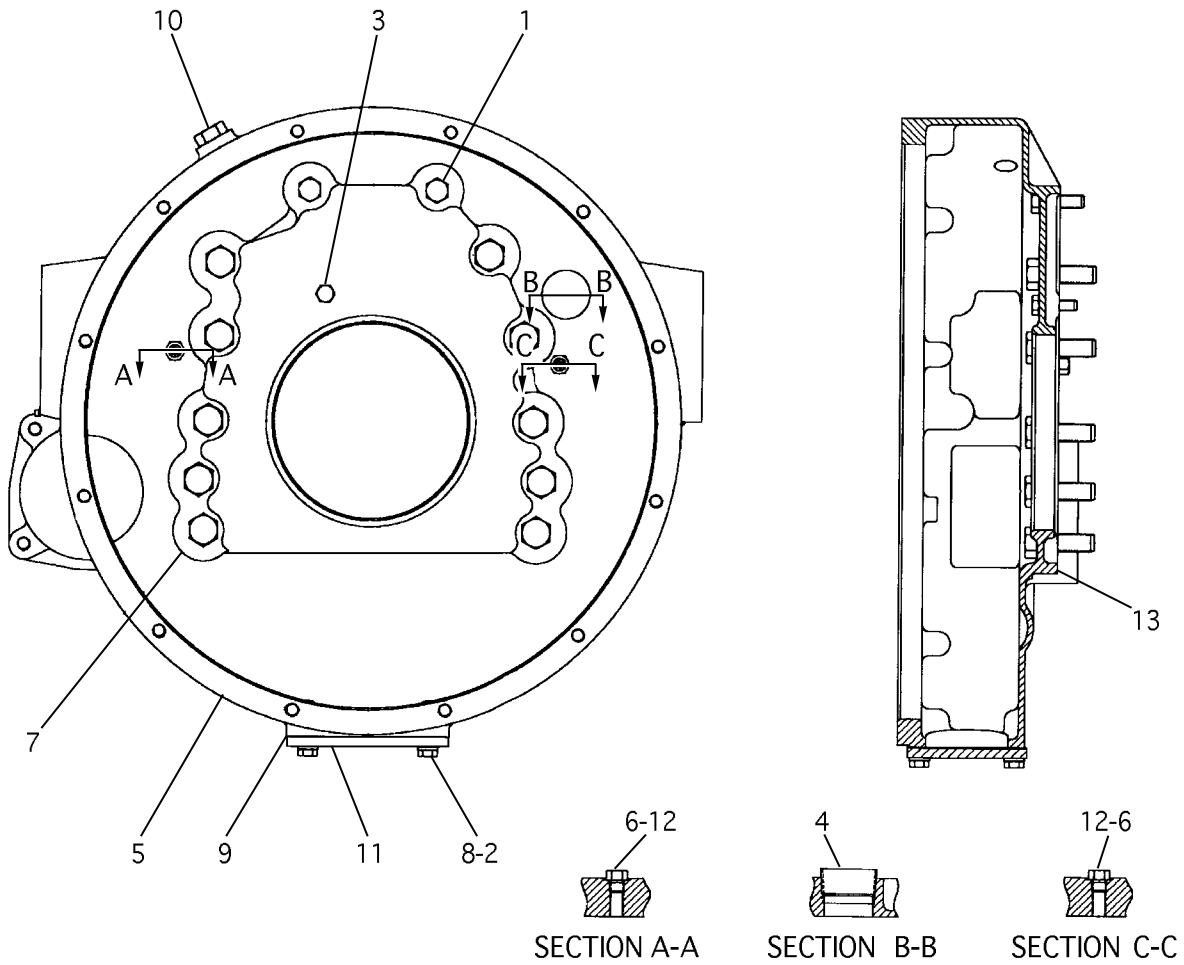


NOTE	REF NO	PART NUMBER	QTY	PART NAME	NOTE	REF NO	PART NUMBER	QTY	PART NAME
	1	1J9671	3	SEAL-O-RING (ORB-OD 14.1)					
Y	2	1193066	1	CYLINDER HEAD GP					
	3	1260529	14	FASTENER GP					
		1274836	1	BOLT-HEX HEAD (M20)					
		8T3282	1	WASHER-HARD					
	4	2M6471	2	PLUG-CUP					
	5	1443450	1	GASKET-CYLINDER HEAD					
M	6	8T5030	6	BOLT (M10)					
	7	9S8003	3	PLUG-O-RING					
	8	3J7354	1	SEAL-O-RING (ORB-OD 12.5)					
	9	9S8002	1	PLUG-O-RING					

M - METRIC PART
 Y - SEPARATE ILLUSTRATION

1154078 HEAD GP-CYLINDER
 1193066-Page 34
 Part of 1420725 Engine Ar-Core

BASIC ENGINE



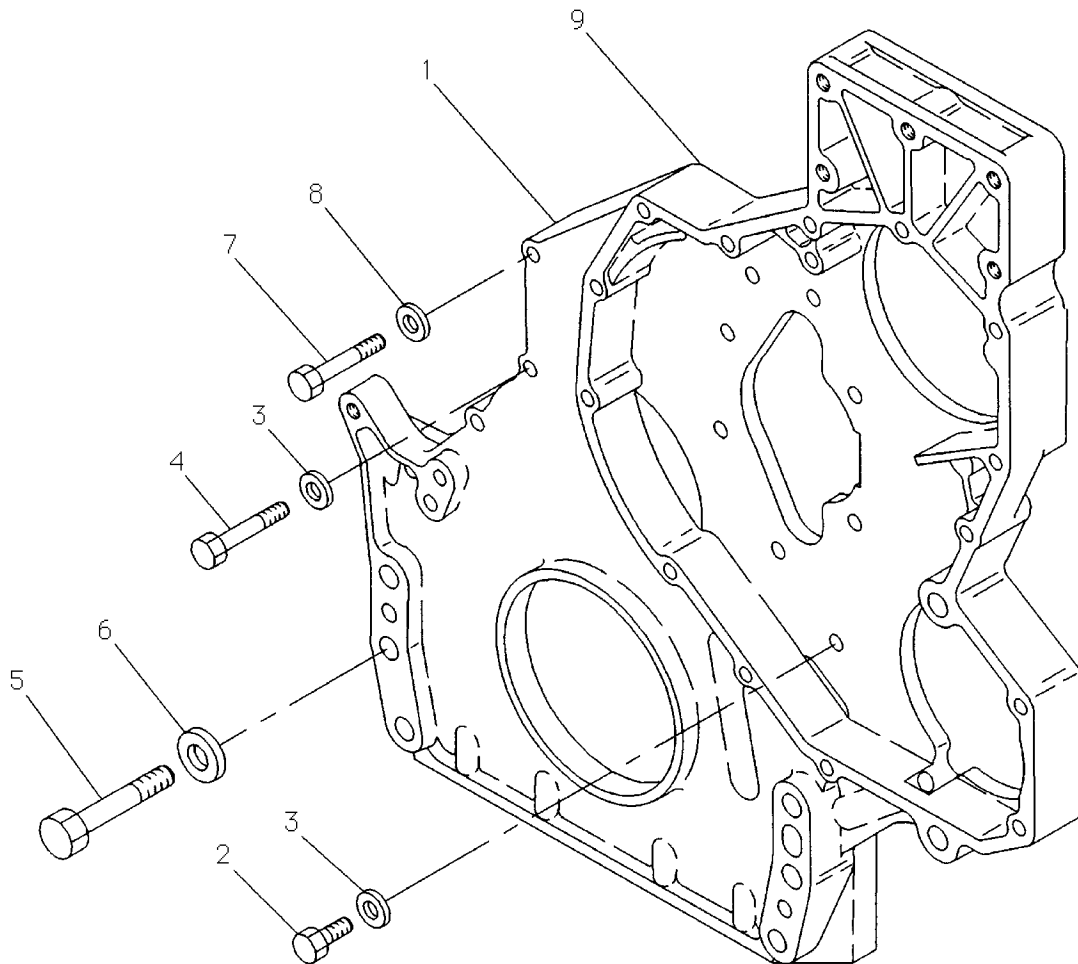
NOTE	REF NO	PART NUMBER	QTY	PART NAME	NOTE	REF NO	PART NUMBER	QTY	PART NAME
	1	8T4196	2	BOLT					
	2	8T4224	4	WASHER-HARD					
	3	8T7547	1	BOLT					
	4	7X7730	1	PLUG-PIPE					
	5	1265874	1	HOUSING-FLYWHEEL					
	6	9S4182	2	PLUG-O-RING					
	7	7X3347	10	BOLT					
	8	8T4189	4	BOLT					
	9	3N4087	1	GASKET					
	10	9S4185	1	PLUG-O-RING					
	11	3N4088	1	COVER					
	12	3J7354	2	SEAL-O-RING (ORB-OD 12.5)					
B	13	1U8846	1	GASKET MAKER					

B - USE AS REQUIRED

5R8847 HOUSING GP-FLYWHEEL

Part of 1287367 Engine Ar-Basic

BASIC ENGINE



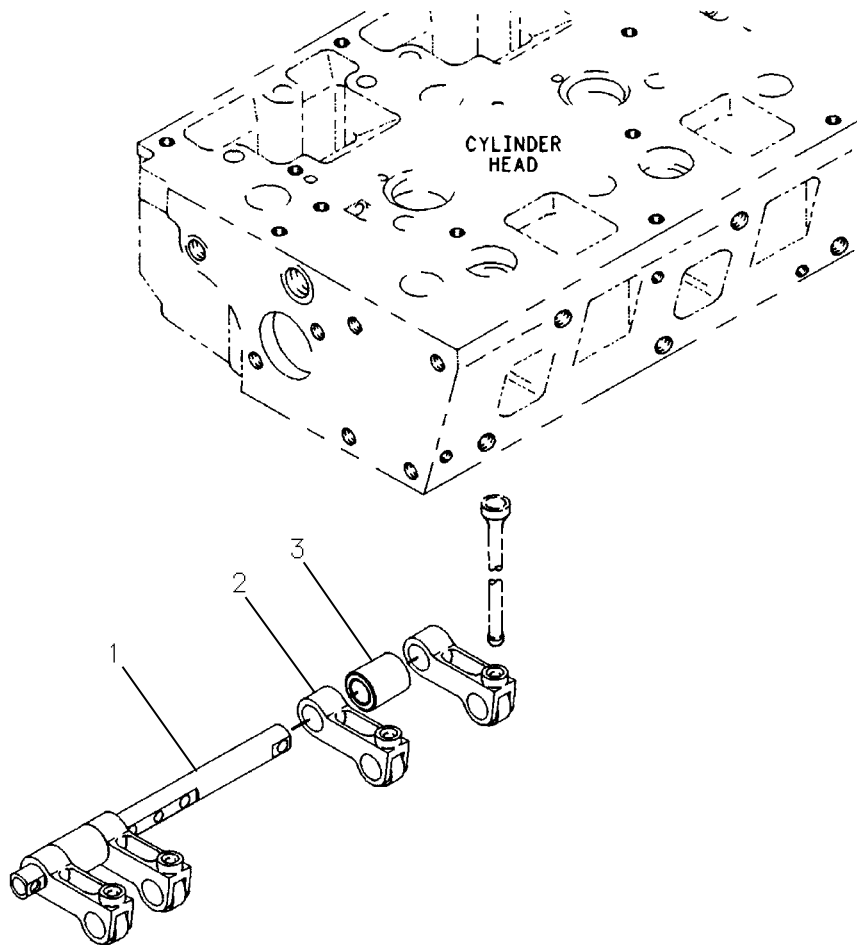
NOTE	REF NO	PART NUMBER	QTY	PART NAME	NOTE	REF NO	PART NUMBER	QTY	PART NAME
	1	1325242	1	HOUSING-FRONT					
M	2	6V5217	8	BOLT (M8)					
	3	9M1974	11	WASHER-HARD					
M	4	6V3918	3	BOLT (M8)					
M	5	6V8336	6	BOLT (M12)					
	6	5P8245	6	WASHER-HARD					
M	7	6V3918	1	BOLT (M8)					
	8	9M1974	1	WASHER-HARD					
B	9	1U8846	1	GASKET MAKER					

B - USE AS REQUIRED
M - METRIC PART

1014575 HOUSING GP-FRONT ENGINE GEAR

Part of 1287367 Engine Ar-Basic

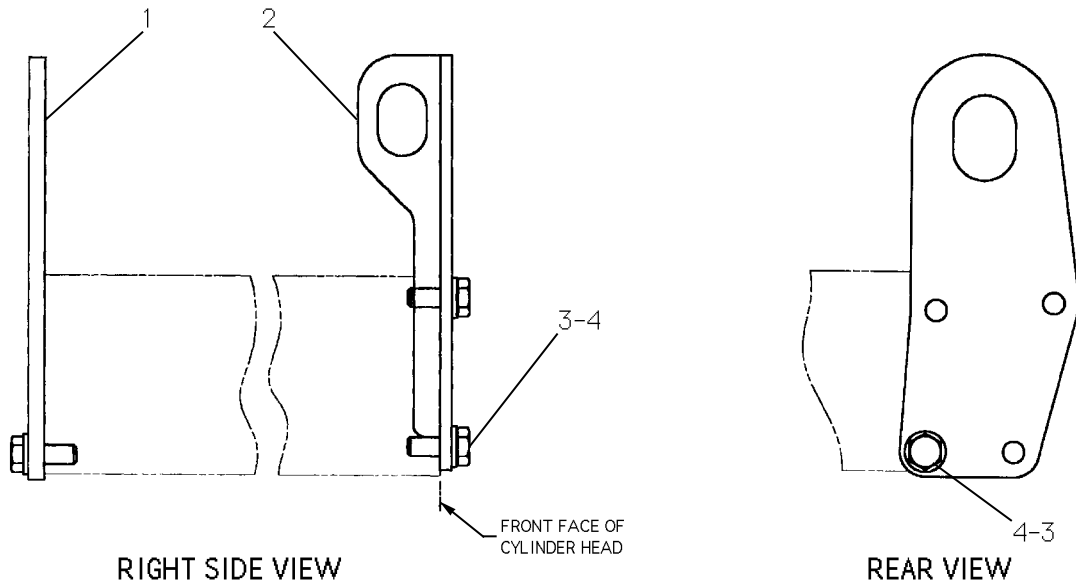
BASIC ENGINE



NOTE	REF NO	PART NUMBER	QTY	PART NAME	NOTE	REF NO	PART NUMBER	QTY	PART NAME
	1	1013257	1	SHAFT AS-LIFTER					
		2D6642	2	BALL					
	2	1468147	4	ARM AS-LIFTER					
	3	1013261	2	SPACER-FOLLOWER					

1013263 LIFTER GP-VALVE
Part of 1013266 Mechanism Gp-Valve

BASIC ENGINE

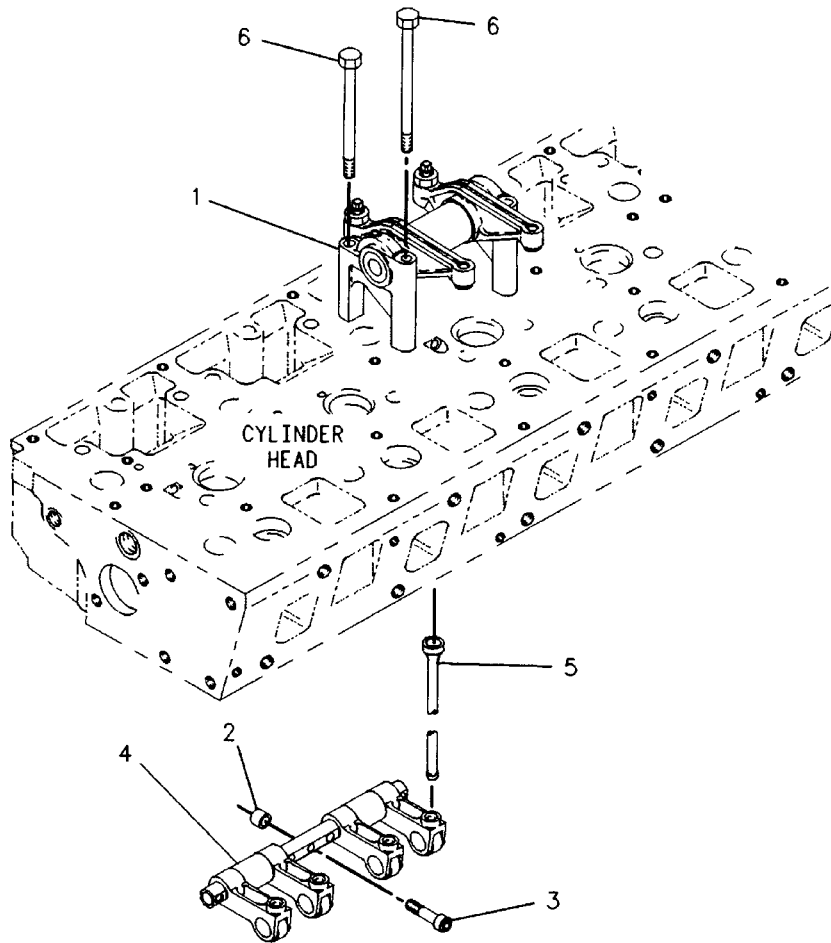


NOTE	REF NO	PART NUMBER	QTY	PART NAME	NOTE	REF NO	PART NUMBER	QTY	PART NAME
M	1	4W1682	1	PLATE-LIFTING					
	2	4W1683	1	PLATE-LIFTING					
	3	8T4136	5	BOLT (M10)					
	4	8T4121	5	WASHER-HARD					

M - METRIC PART

1418267 LIFTING GP-ENGINE
 Part of 1287367 Engine Ar-Basic

BASIC ENGINE

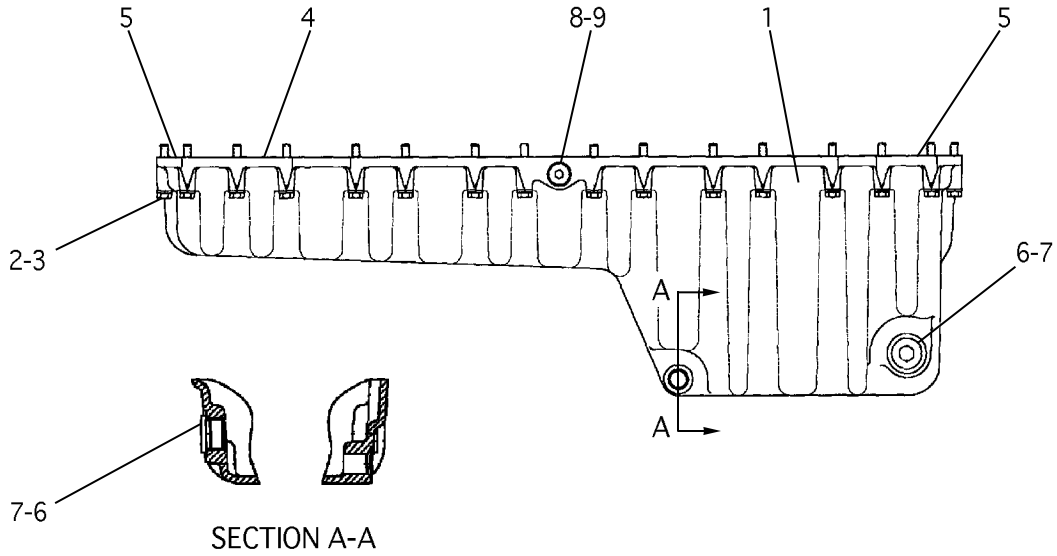


NOTE	REF NO	PART NUMBER	QTY	PART NAME	NOTE	REF NO	PART NUMBER	QTY	PART NAME
Y	1	1154180	6	ARM GP-VALVE ROCKER					
	2	3E9412	6	DOWEL-BUSHING					
M	3	8T8442	12	BOLT-SOCKET HEAD (M6)					
Y	4	1013263	3	LIFTER GP					
	5	1013268	12	ROD-VALVE PUSH					
M	6	6V3821	24	BOLT (M8)					

M - METRIC PART
Y - SEPARATE ILLUSTRATION

1013266 MECHANISM GP-VALVE
1154180-Page 19, 1013263-Page 38
Part of 1420725 Engine Ar-Core

BASIC ENGINE

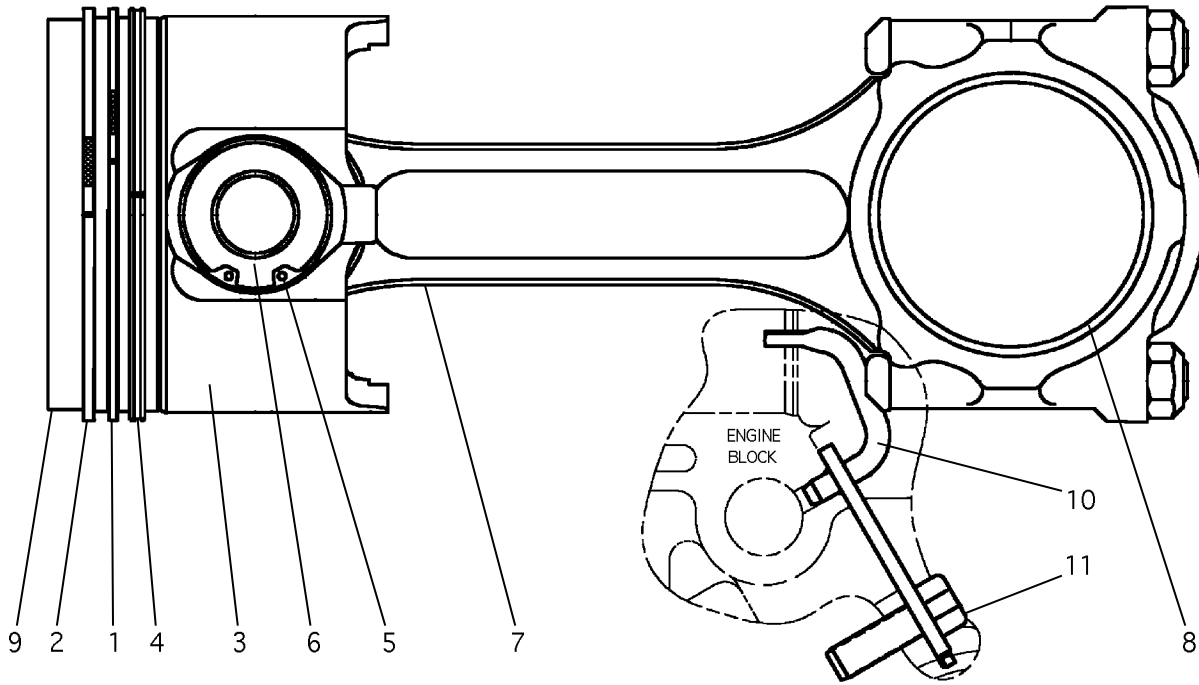


NOTE	REF NO	PART NUMBER	QTY	PART NAME	NOTE	REF NO	PART NUMBER	QTY	PART NAME
	1	1443484	1	PAN-OIL					
	2	9M1974	36	WASHER-HARD					
M	3	6V3918	36	BOLT (M8)					
	4	1154202	1	GASKET					
B	5	1U8846	1	GASKET MAKER					
	6	9S8008	2	PLUG-O-RING					
	7	3D2824	2	SEAL-O-RING (ORB-OD 29.5)					
	8	9S8004	1	PLUG-O-RING					
	9	3J1907	1	SEAL-O-RING (ORB-OD 15.9)					

B - USE AS REQUIRED
M - METRIC PART

1265931 PAN GP-OIL
Part of 1287367 Engine Ar-Basic

BASIC ENGINE

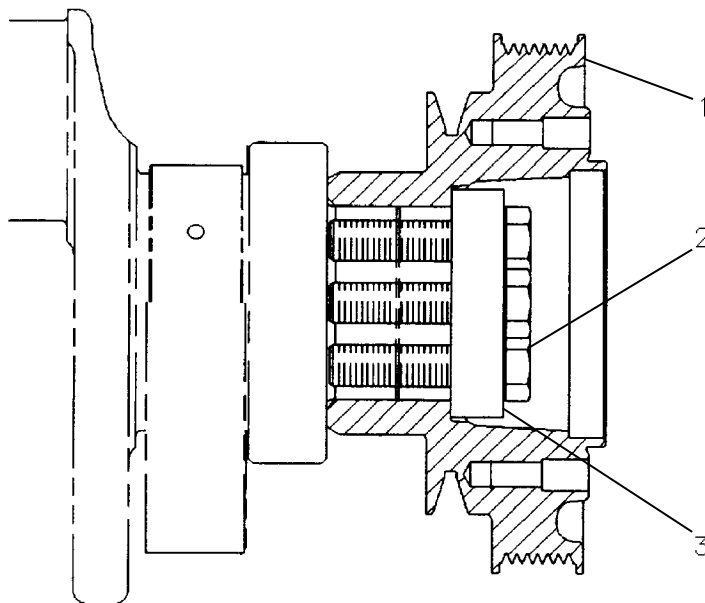


NOTE	REF NO	PART NUMBER	QTY	PART NAME	NOTE	REF NO	PART NUMBER	QTY	PART NAME
R	1	1077630	1	RING-PISTON					
	2	1325246	1	RING-PISTON					
	3	1154083	1	SKIRT-PISTON					
	4	1077566	1	RING-PISTON					
	5	7C0111	2	RETAINER-PIN					
	6	1013210	1	PIN-PISTON					
	7	2W9128	1	ROD AS-CONN					
		2W0027	1	BEARING-CONN ROD					
		9L7669	2	NUT-CONN ROD					
		9N3832	2	BOLT-CONN ROD					
		8	7W9415	1	BEARING-CONN ROD				
		7C6976	1	BEARING (.635 MM .025 IN US)					
		7C6977	1	BEARING (.127 MM .050 IN US)					
	9	1334983	1	CROWN AS-PISTON					
M	10	1355970	1	TUBE AS-JET					
	11	6V3940	1	BOLT (M8)					

M - METRIC PART
R - REMFG PART MAY BE AVAILABLE

1479592 PISTON GP-ROD
Part of 1420725 Engine Ar-Core

BASIC ENGINE

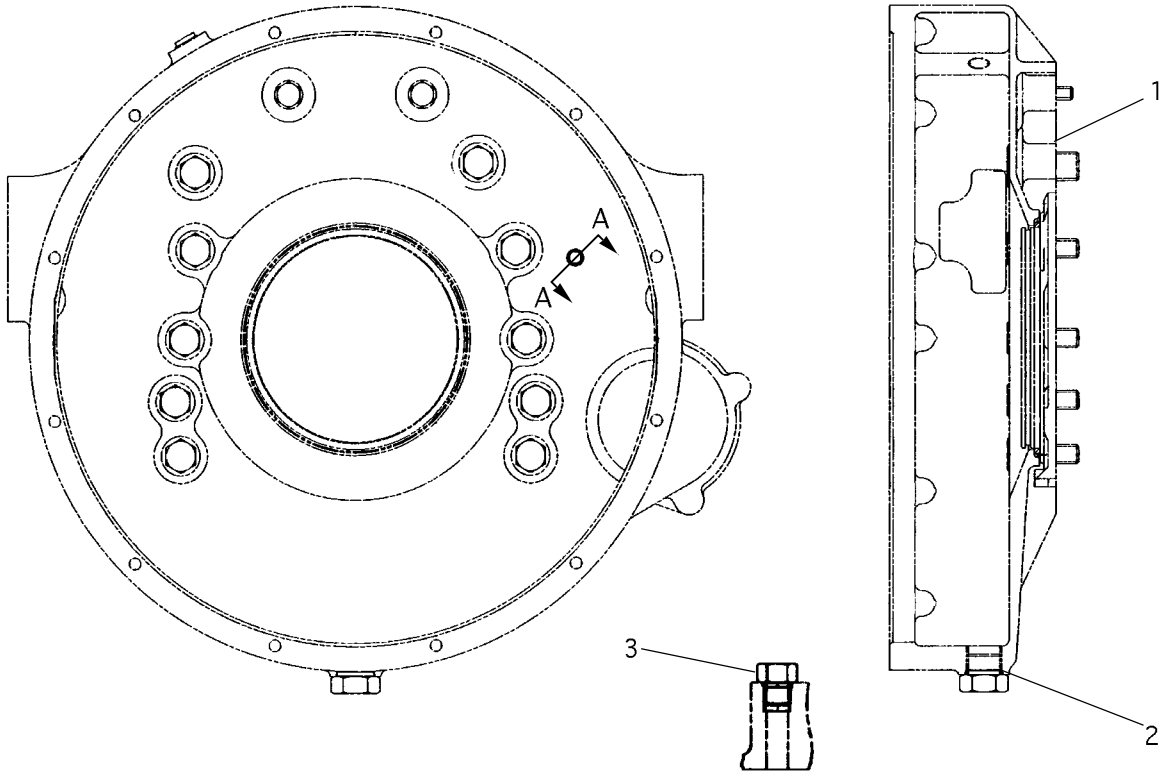


NOTE	REF NO	PART NUMBER	QTY	PART NAME	NOTE	REF NO	PART NUMBER	QTY	PART NAME
	1	7W3773	1	PULLEY-CRANKSHAFT					
	2	8T3666	4	BOLT					
	3	2W7381	1	WASHER-CLAMP					

4W5429 PULLEY GP-CRANKSHAFT

Part of 1287367 Engine Ar-Basic

BASIC ENGINE



SECTION A-A

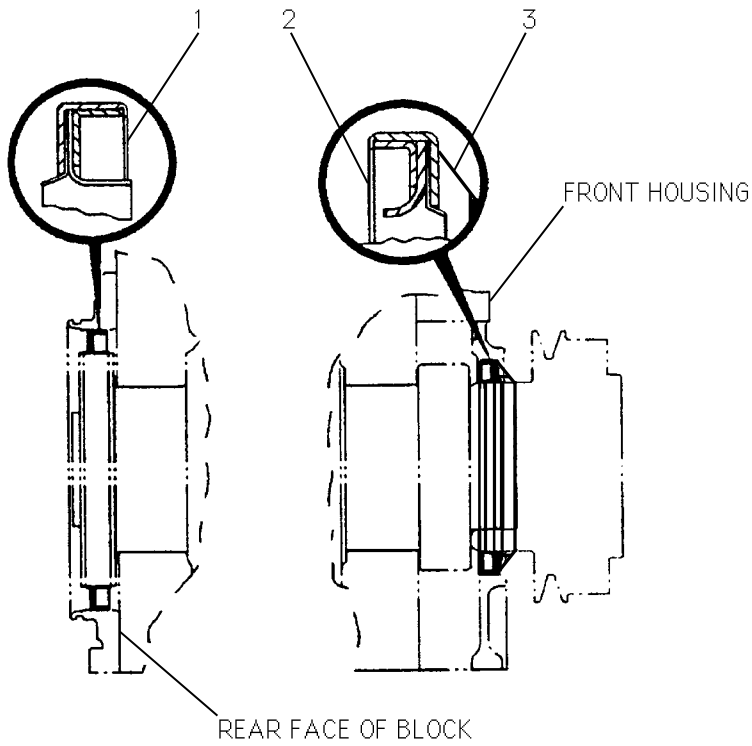
NOTE	REF NO	PART NUMBER	QTY	PART NAME	NOTE	REF NO	PART NUMBER	QTY	PART NAME
B	1	1U8846	1	GASKET MAKER					
	2	3D2824	1	SEAL-O-RING (ORB-OD 29.5)					
	3	3J7354	1	SEAL-O-RING (ORB-OD 12.5)					

B - USE AS REQUIRED

7C1770 SEAL GP-BASIC (FLYWHEEL HOUSING)

Part of 1287367 Engine Ar-Basic

BASIC ENGINE

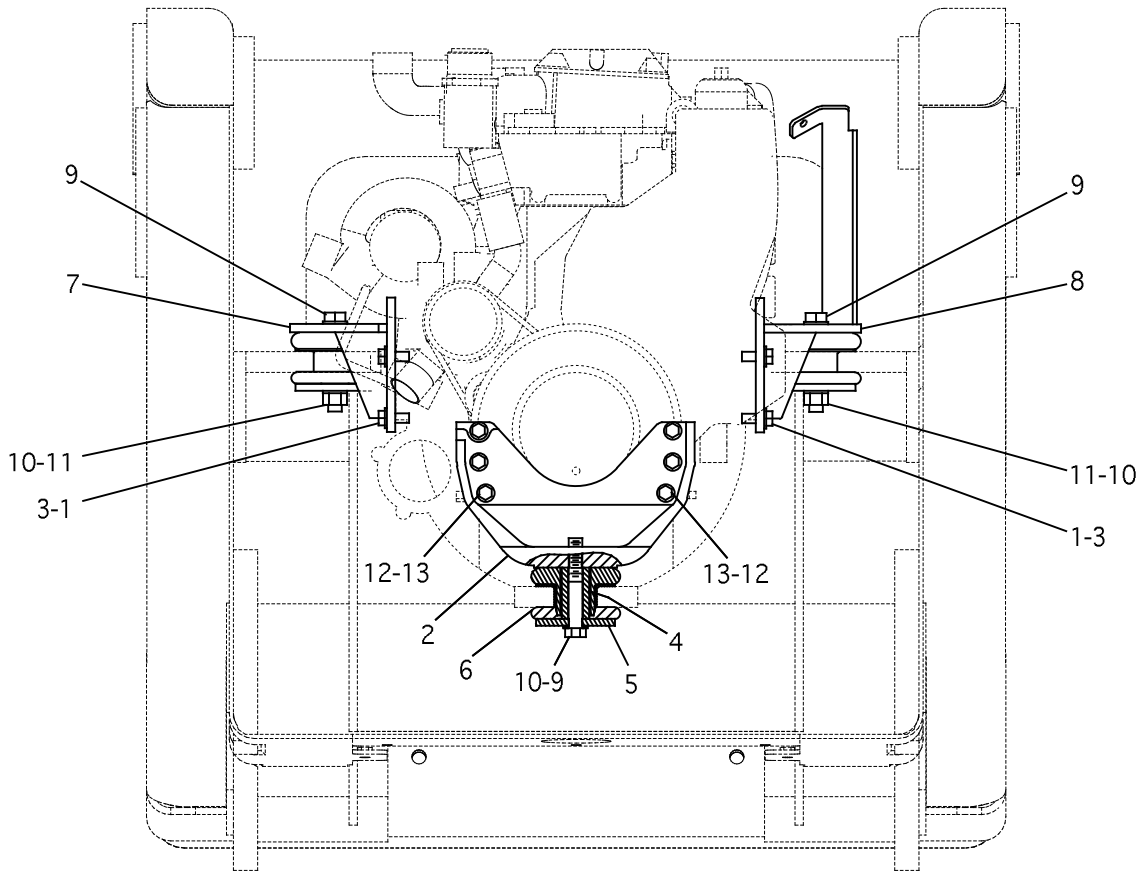


SIDE VIEW

NOTE	REF NO	PART NUMBER	QTY	PART NAME	NOTE	REF NO	PART NUMBER	QTY	PART NAME
	1	1154120	1	SEAL GP-CRANKSHAFT					
	2	4R8831	1	SEAL GP-CRANKSHAFT					
	3	4R9999	1	EXCLUDER-SEAL					

1403051 SEAL GP-CRANKSHAFT
Part of 1420725 Engine Ar-Core

BASIC ENGINE



FRONT VIEW OF ENGINE

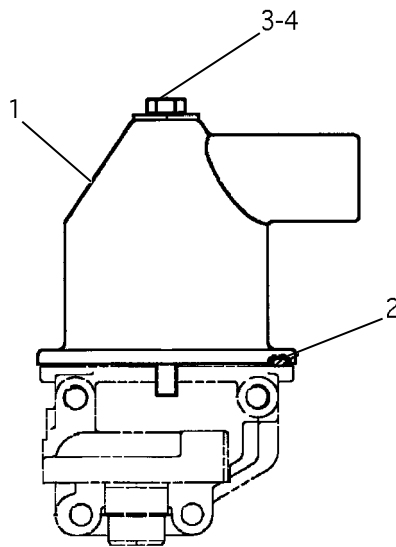
NOTE	REF NO	PART NUMBER	QTY	PART NAME	NOTE	REF NO	PART NUMBER	QTY	PART NAME
M	1	6V8550	8	BOLT HEX (M14)					
	2	7E1718	1	SUPPORT					
M	3	7X0510	8	WASHER-HARD (M14)					
	4	9W6582	3	SLEEVE-STD LG					
	5	9W6584	3	WASHER-STD					
	6	9W9931	3	MOUNT AS					
		3E4896	1	RUBBER					
	7	1692898	1	MOUNT AS-RH					
	8	1692900	1	MOUNT AS-LH					
M	9	7X2532	3	BOLT (M20)					
	10	8T4123	5	WASHER-HARD					
	11	8T4131	2	NUT (M20)					
M	12	8T4223	5	WASHER-HARD					
M	13	8T6868	6	BOLT HEX (M12)					

M - METRIC PART

1228638 SUPPORT GP-ENGINE

Part of 1447163 Installation Ar

LUBRICATION SYSTEM

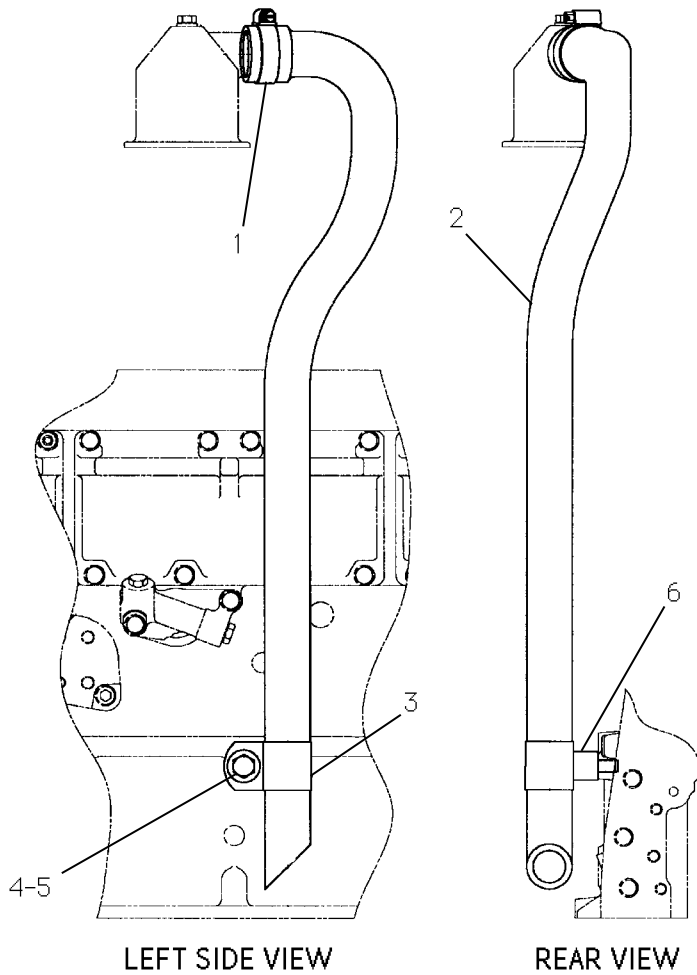


LEFT SIDE VIEW

NOTE	REF NO	PART NUMBER	QTY	PART NAME	NOTE	REF NO	PART NUMBER	QTY	PART NAME
	1	2W9162	1	BREATHER AS					
	2	4L9564	1	SEAL-O-RING (OD 92.6)					
	3	6V3821	1	BOLT					
	4	9N0869	1	WASHER-HARD					

1N3477 BREATHER GP
 Part of 1420725 Engine Ar-Core

LUBRICATION SYSTEM

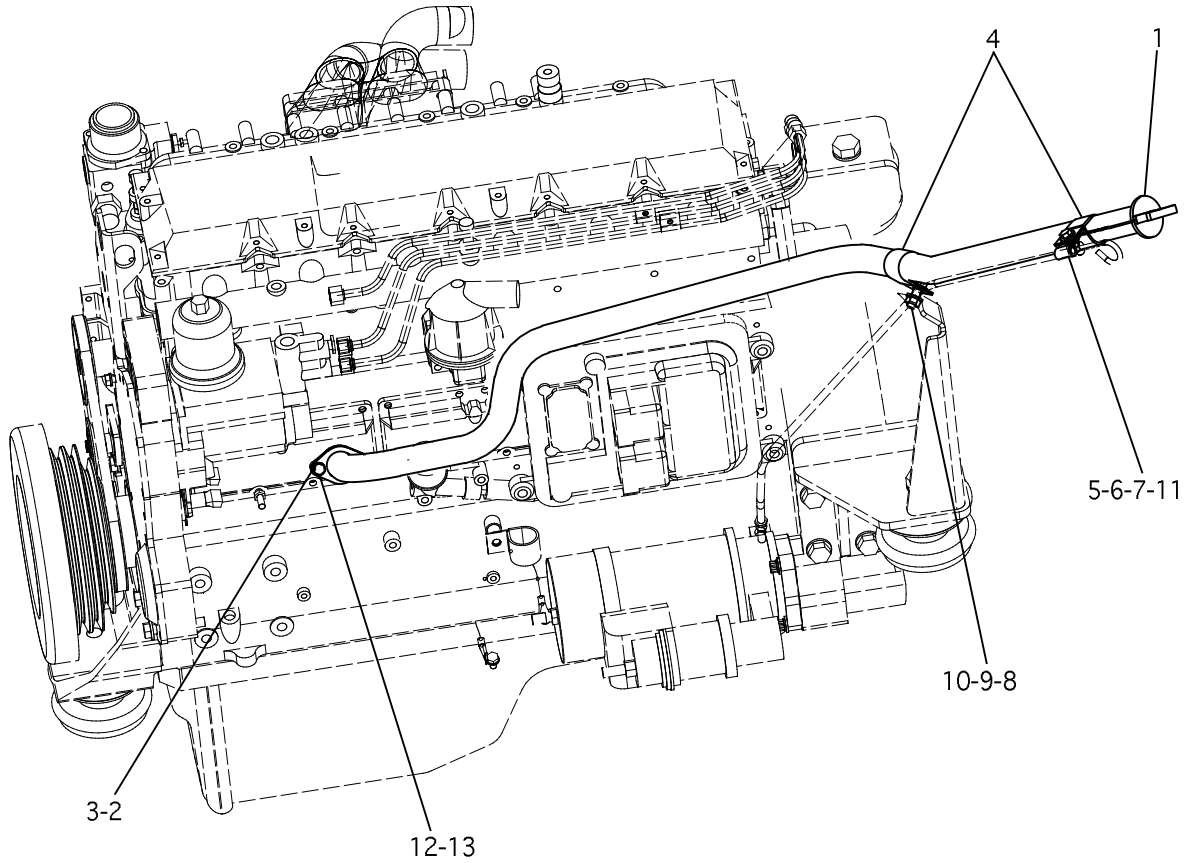


NOTE	REF NO	PART NUMBER	QTY	PART NAME	NOTE	REF NO	PART NUMBER	QTY	PART NAME
M	1	9M2904	1	CLAMP-HOSE					
	2	1331349	1	HOSE-DISPOSAL					
	3	4D7388	1	CLIP					
	4	8T4186	1	BOLT (M10)					
	5	8T4121	1	WASHER-HARD					
	6	9M4594	1	SPACER					

M - METRIC PART

1331348 DISPOSAL GP-FUMES
Part of 1287367 Engine Ar-Basic

LUBRICATION SYSTEM



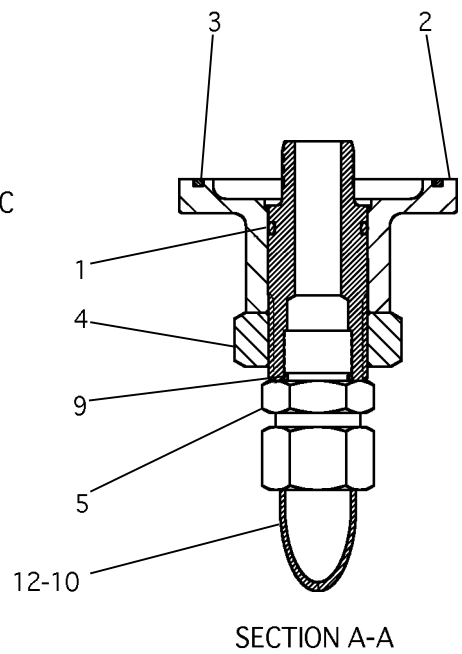
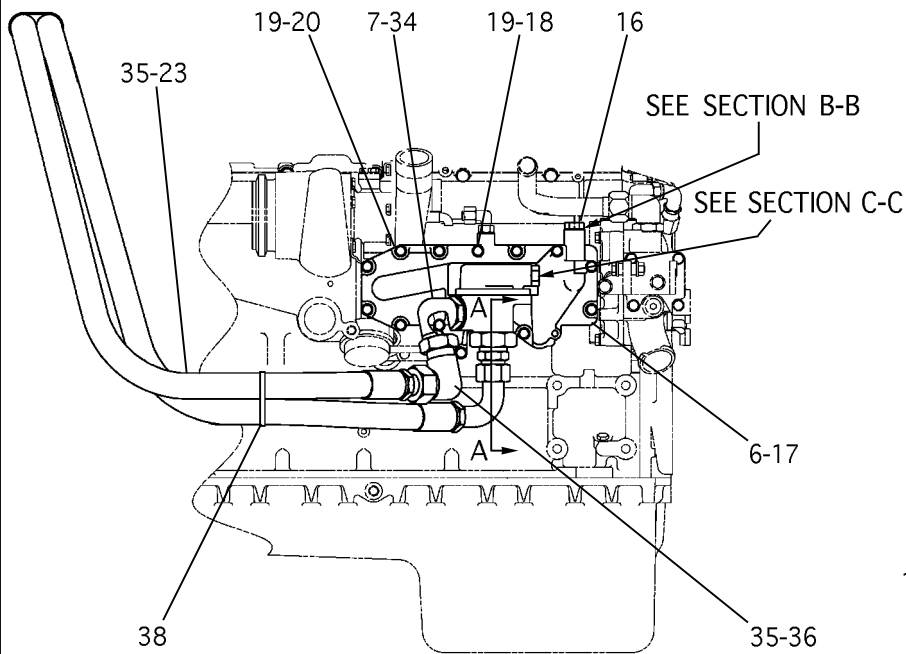
NOTE	REF NO	PART NUMBER	QTY	PART NAME	NOTE	REF NO	PART NUMBER	QTY	PART NAME
	1	6G9333	1	CAP-OIL FILLER					
	2	7C0358	1	GASKET					
	3	1585072	1	TUBE AS					
	4	4D7388	2	CLIP					
M	5	5C7261	1	NUT (M8)					
	6	5P4116	2	WASHER-HARD					
	7	5P9297	1	CLIP					
	8	8T4121	2	WASHER-HARD					
	9	8T4133	1	NUT					
M	10	8T4195	1	BOLT (M10)					
M	11	8T4908	1	BOLT (M8)					
AM	12	6V3940	2	BOLT (M8)					
AM	13	9M1974	2	WASHER					

A - NOT PART OF THIS GROUP
M - METRIC PART

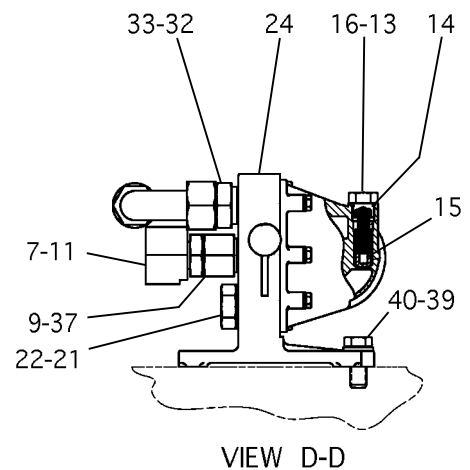
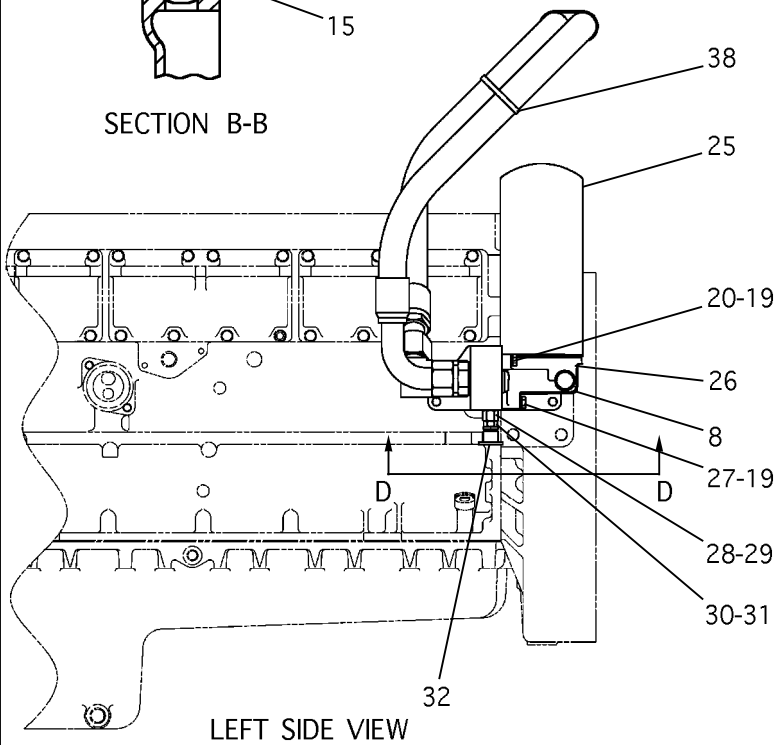
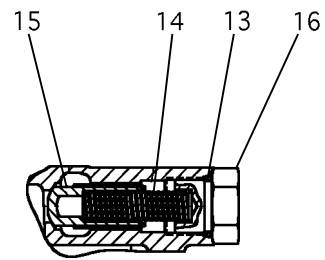
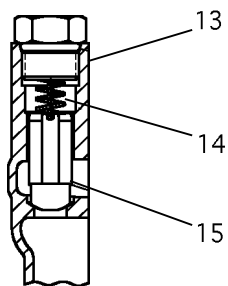
148882 FILLER GP-ENGINE OIL

Part of 1447163 Installation Ar

LUBRICATION SYSTEM



RIGHT SIDE VIEW



LEFT SIDE VIEW

1753222 FILTER GP-ENGINE OIL
Part of 1287367 Engine Ar-Basic

LUBRICATION SYSTEM

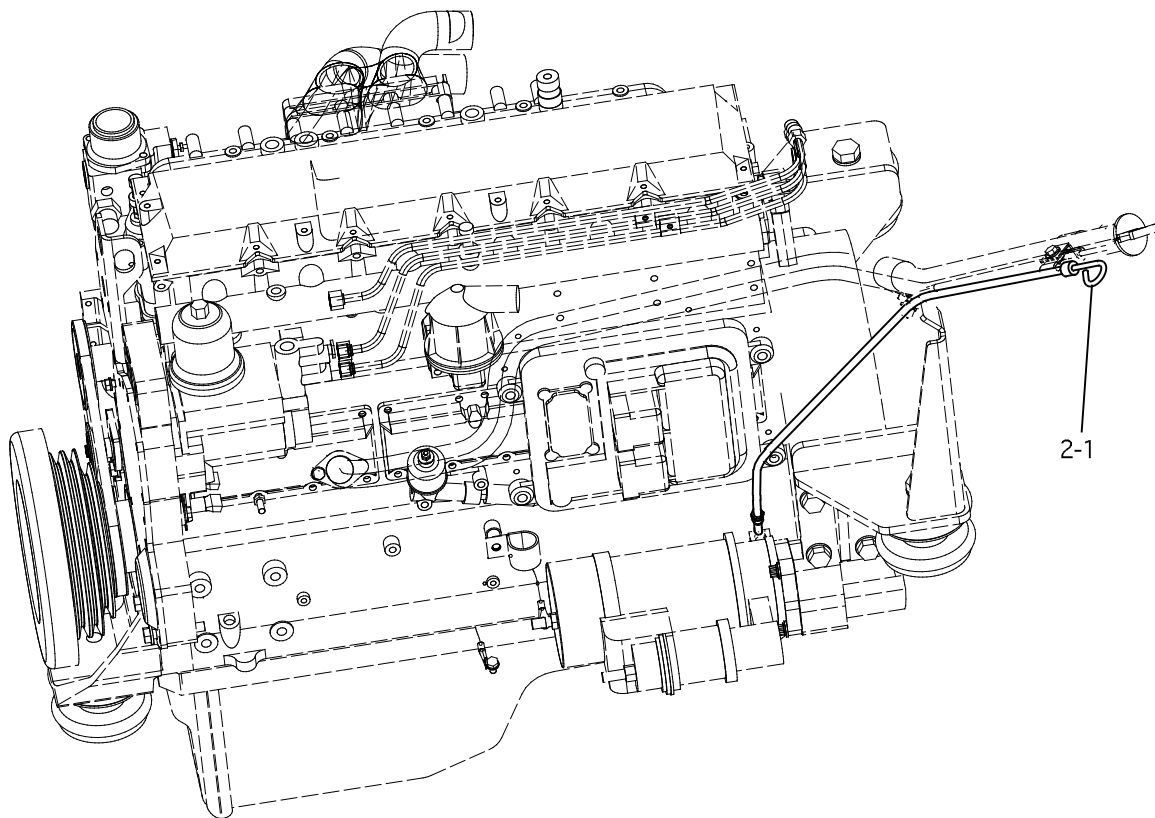
NOTE	REF NO	PART NUMBER	QTY	PART NAME	NOTE	REF NO	PART NUMBER	QTY	PART NAME
	1	5P8066	1	SEAL-O-RING (61 FLANGE-OD 41.4)					
	2	4P9103	1	ADAPTER-BASE					
	3	8H7521	1	SEAL-O-RING (OD 98.7)					
	4	7F0216	1	NUT-JAM					
	5	6V8714	1	CONNECTOR (M-ORFS,M-STOR)					
	6	1605140	1	BASE AS-OIL FILTER					
		4P9107	1	STUD-HOLLOW					
	7	7M8485	2	SEAL-O-RING (ORB-OD 35.7)					
	8	5F9657	3	SEAL-O-RING (OD 43.2)					
	9	3D2824	2	SEAL-O-RING (ORB-OD 29.5)					
E	10	1655561	1	HOSE AS					
		1226873	205	HOSE-HYD					
		1242133	1	COUPLING-HOSE 45° (ORFS)					
		1242155	1	COUPLING-HOSE 90° (ORFS)					
	11	6V9008	1	ELBOW 90° (M-ORFS,M-STOR)					
	12	5K9090	2	SEAL-O-RING (ORFS-OD 28)					
	13	2M9780	3	SEAL-O-RING (ORB-OD 24.2)					
	14	9L9188	3	SPRING-VALVE					
	15	7C1493	3	VALVE-BYPASS					
	16	5P8196	3	PLUG-O-RING					
	17	1799360	1	GASKET					
M	18	8T0276	4	BOLT (M8)					
	19	9M1974	19	WASHER-HARD					
M	20	6V2317	12	BOLT (M8 X 30 MM LG)					
	21	9S4188	1	PLUG-O-RING					
	22	4K1388	2	SEAL-O-RING (ORB-OD 32.6)					
	23	1655562	1	HOSE AS					
E		1226873	187	HOSE-HYD					
		1242124	1	COUPLING-HOSE (ORFS)					
		1242156	1	COUPLING-HOSE 90° (ORFS)					
	24	1210307	1	BASE					
	25	1R0739	1	FILTER AS-OIL					
	26	7W9028	1	BASE AS-OIL					
M	27	6V5219	3	BOLT (M8)					
	28	5P9617	1	ADAPTER (M,F-STOR 25 MM LG)					
	29	3J1907	1	SEAL-O-RING (ORB-OD 15.9)					
	30	8C3446	1	VALVE-SAMPLING					
	31	3J7354	1	SEAL-O-RING (ORB-OD 12.5)					
	32	8C3445	1	CAP-DUST					
	33	9X8260	1	CONNECTOR (M-ORFS,M-STOR)					
	34	8C3364	1	ELBOW 90° (M-ORFS,M-STOR)					
	35	6V8400	3	SEAL-O-RING (ORFS-OD 33.5)					
	36	6V9855	1	ELBOW 90° (M,F-ORFS)					
	37	5P8925	1	ADAPTER (M,F-STOR)					
	38	7K1181	3	STRAP					

E - ORDER BY THE METER
M - METRIC PART

1753222 FILTER GP-ENGINE OIL
Part of 1287367 Engine Ar-Basic

01

LUBRICATION SYSTEM

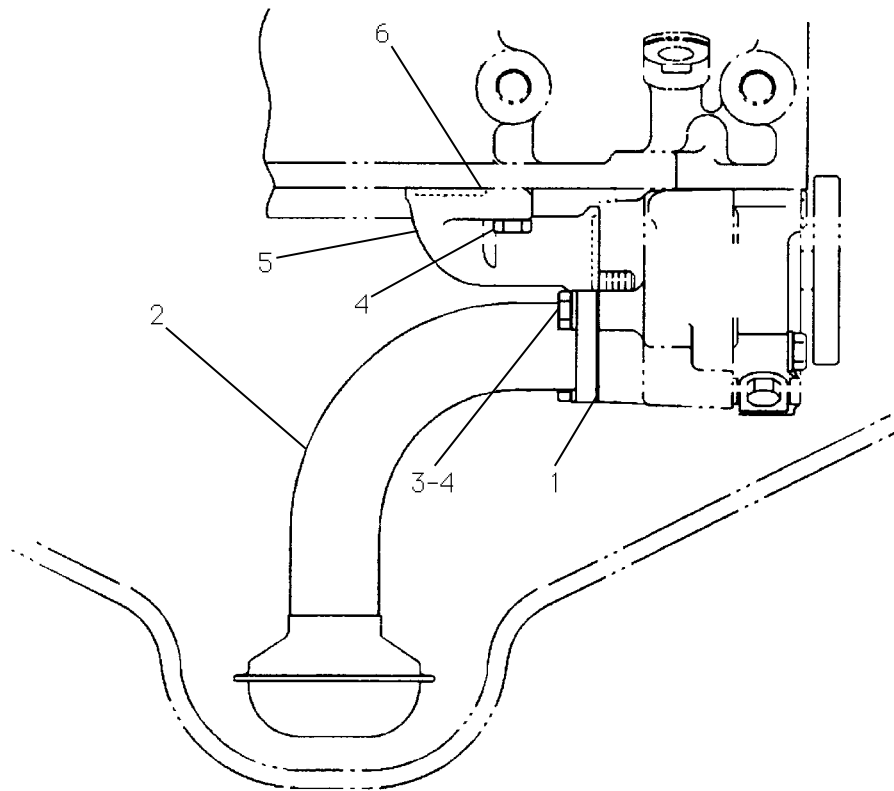


NOTE	REF NO	PART NUMBER	QTY	PART NAME	NOTE	REF NO	PART NUMBER	QTY	PART NAME
	1	1312296	1	TUBE AS					
		8F8997	1	FITTING-NUT (TUBE)					
	2	1448534	1	GAGE-OIL LEVEL					

1457262 GAGE GP-ENGINE OIL LEVEL

Part of 1447163 Installation Ar

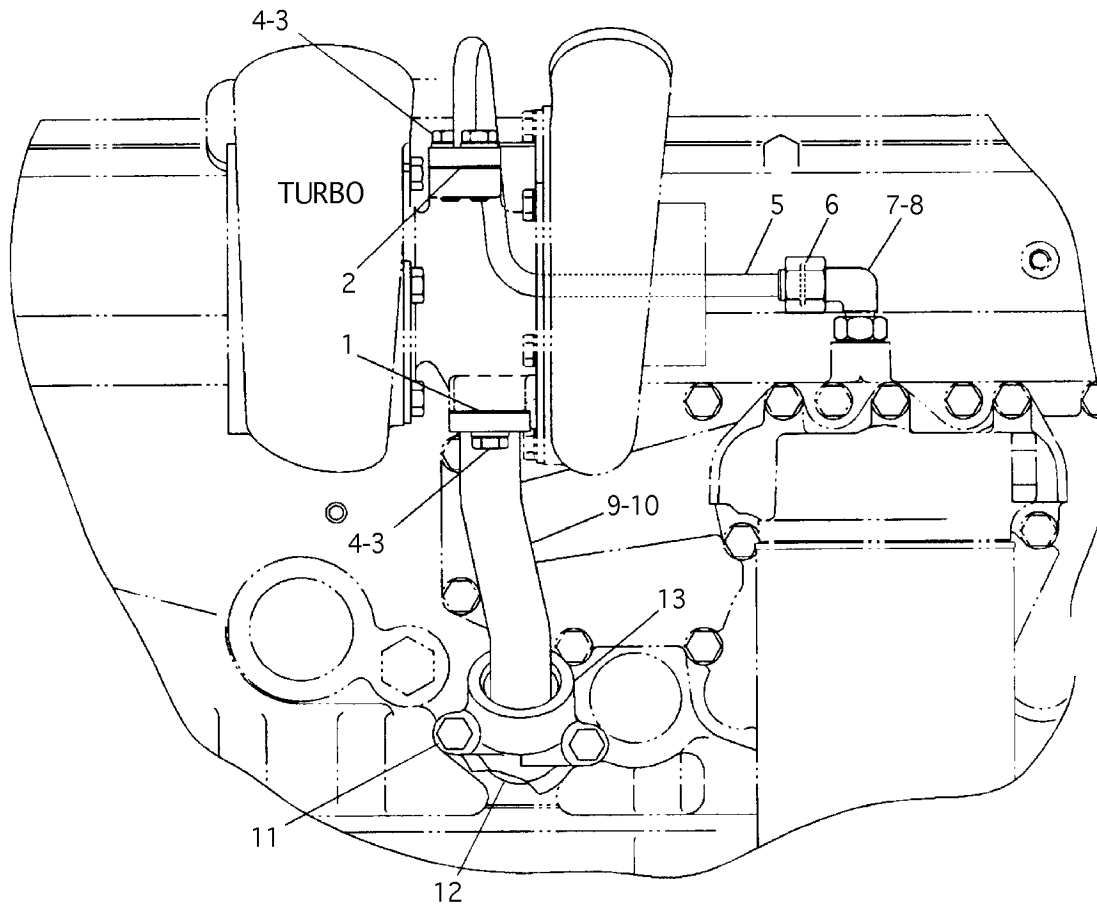
LUBRICATION SYSTEM



NOTE	REF NO	PART NUMBER	QTY	PART NAME	NOTE	REF NO	PART NUMBER	QTY	PART NAME
	1	7W5340	1	GASKET					
	2	7C5403	1	TUBE AS					
	3	9M1974	2	WASHER-HARD					
	4	6V3940	4	BOLT					
	5	4W2232	1	ELBOW (TUBE)					
	6	3P1156	2	SEAL-O-RING (61 FLANGE-OD 28.9)					

7C2475 LINES GP-ENGINE OIL
 Part of 1287367 Engine Ar-Basic

LUBRICATION SYSTEM



NOTE	REF NO	PART NUMBER	QTY	PART NAME	NOTE	REF NO	PART NUMBER	QTY	PART NAME
	1	7W2398	1	GASKET					
	2	1S7057	1	GASKET					
M	3	6V3940	4	BOLT (M8)					
	4	9M1974	4	WASHER-HARD					
	5	7E5196	1	TUBE AS					
E		5P0078	37	TUBE					
		6V8553	1	NUT-ORFS					
		6V8560	1	SLEEVE-ORFS					
	6	6V8397	1	SEAL-O-RING (ORFS-OD 13.8)					
	7	6V8724	1	ELBOW 90° (M-ORFS,M-STOR)					
	8	3J1907	1	SEAL-O-RING (ORB-OD 15.9)					
	9	7C3760	1	TUBE AS-OIL DRAIN					
	10	9M4849	1	SEAL-O-RING (OD 33.8)					
M	11	6V5218	2	BOLT (M8)					
	12	4F7391	1	SEAL-O-RING (OD 40)					
	13	1192942	1	ADAPTER 45° (TUBE)					

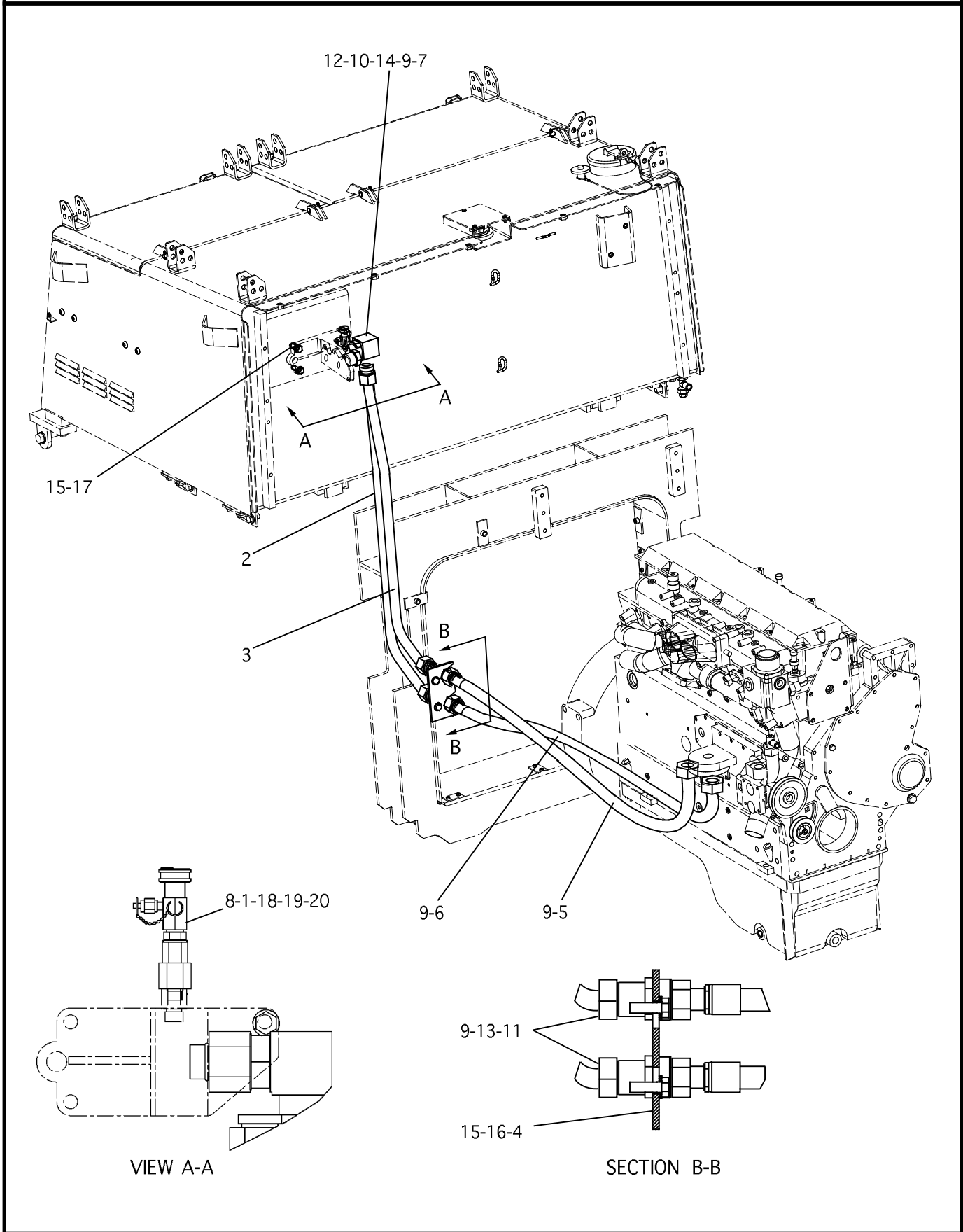
E - ORDER BY THE CENTIMETER
M - METRIC PART

7C2476 LINES GP-TURBO
Part of 1287367 Engine Ar-Basic

NOTES

A large, empty rectangular box with a black border, intended for handwritten notes.

LUBRICATION SYSTEM



1304552 MOUNTING GP-ENGINE OIL FILTER

S/N 7RR00003 thru 42

Part of 1447163 Installation Ar

LUBRICATION SYSTEM

NOTE	REF NO	PART NUMBER	QTY	PART NAME	NOTE	REF NO	PART NUMBER	QTY	PART NAME
	1	5R6801	1	VALVE AS					
	2	1493216	1	TUBE AS					
		6V8557	2	NUT-ORFS					
		6V8564	2	SLEEVE-ORFS					
	3	1493217	1	TUBE AS					
		6V8557	2	NUT-ORFS					
		6V8564	2	SLEEVE-ORFS					
	4	1503119	1	PLATE					
	5	1549778	1	HOSE AS					
	6	1549779	1	HOSE AS					
	7	3D2824	1	SEAL-O-RING (ORB-OD 29.5)					
	8	3J7354	2	SEAL-O-RING (ORB-OD 12.5)					
	9	5K9090	7	SEAL-O-RING (ORFS-OD 28)					
	10	5P8925	1	ADAPTER (M,F-STOR)					
	11	6V8998	2	UNION (M,F-ORFS)					
	12	6V9008	1	ELBOW 90° (M-ORFS,M-STOR)					
	13	6V9172	2	NUT-BULKHEAD					
	14	7M8485	3	SEAL-O-RING (ORB-OD 35.7)					
	15	8T4121	5	WASHER-HARD					
	16	8T4195	2	BOLT-HEX HEAD					
	17	8T4196	3	BOLT-HEX HEAD					
	18	3J1907	1	SEAL-O-RING (ORB-OD 15.9)					
	19	5P9617	1	ADAPTER (M,F-STOR 25 MM LG)					
	20	8T2353	1	ADAPTER (M,F-STOR 30 MM LG)					
A	-	1R0739	1	FILTER AS-OIL					

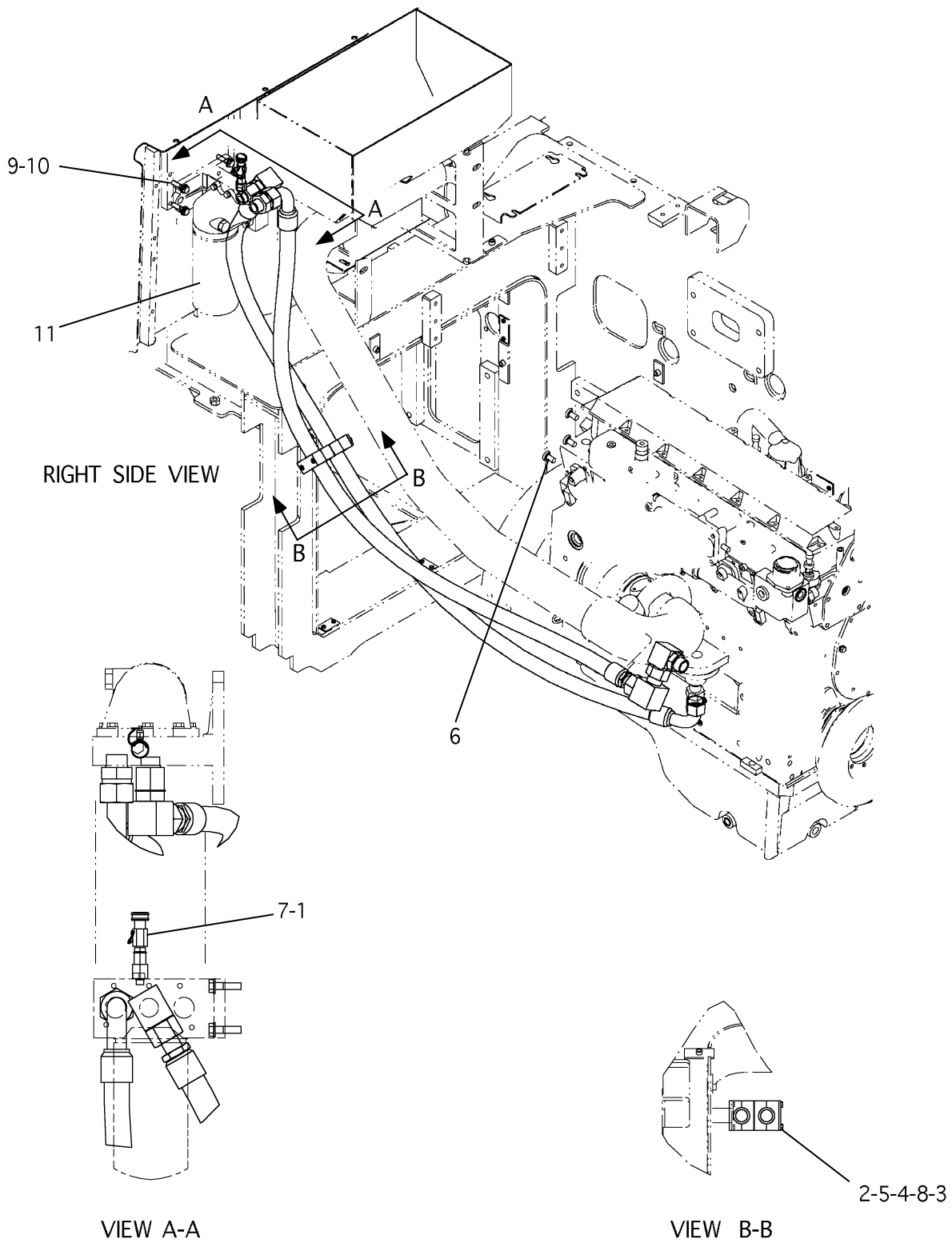
A - NOT PART OF THIS GROUP

1304552 MOUNTING GP-ENGINE OIL FILTER

S/N 7RR00003 thru 42

Part of 1447163 Installation Ar

LUBRICATION SYSTEM



1809106 MOUNTING GP-ENGINE OIL FILTER

S/N 7RR00043-Up

Part of 1447163 Installation Ar

LUBRICATION SYSTEM

NOTE	REF NO	PART NUMBER	QTY	PART NAME	NOTE	REF NO	PART NUMBER	QTY	PART NAME
	1	5R6801	1	VALVE AS					
	2	7R7941	4	CLAMP-TUBE					
	3	7R7951	1	PLATE (OUTER)					
	4	7R7955	1	PLATE (INNER-LOCKING)					
	5	7R7960	2	BOLT-STACKING (1/4-20 X 63 MM)					
	6	1136170	1	FASTENER GP					
M		8T4121	3	WASHER-HARD					
		8T4136	3	BOLT (M10)					
	7	3J7354	2	SEAL-O-RING (ORB-OD 12.5)					
	8	7X0264	2	BOLT-HEX HEAD (1/4-20)					
	9	8T4121	3	WASHER-HARD					
M	10	8T4186	3	BOLT-HEX HEAD (M10)					
A	11	1R0739	1	FILTER AS-OIL					

A - NOT PART OF THIS GROUP
M - METRIC PART

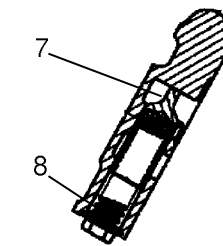
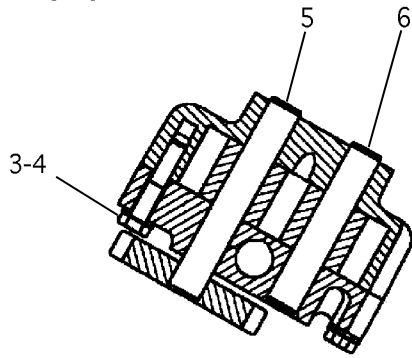
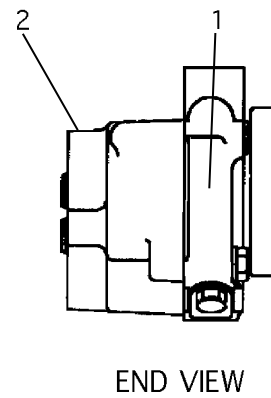
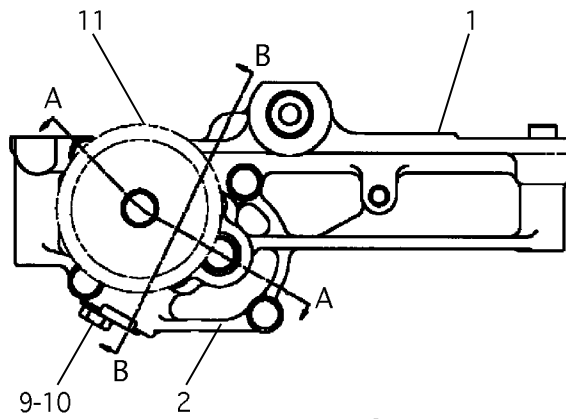
1809106 MOUNTING GP-ENGINE OIL FILTER

S/N 7RR00043-Up

Part of 1447163 Installation Ar

00

LUBRICATION SYSTEM



SECTION A-A

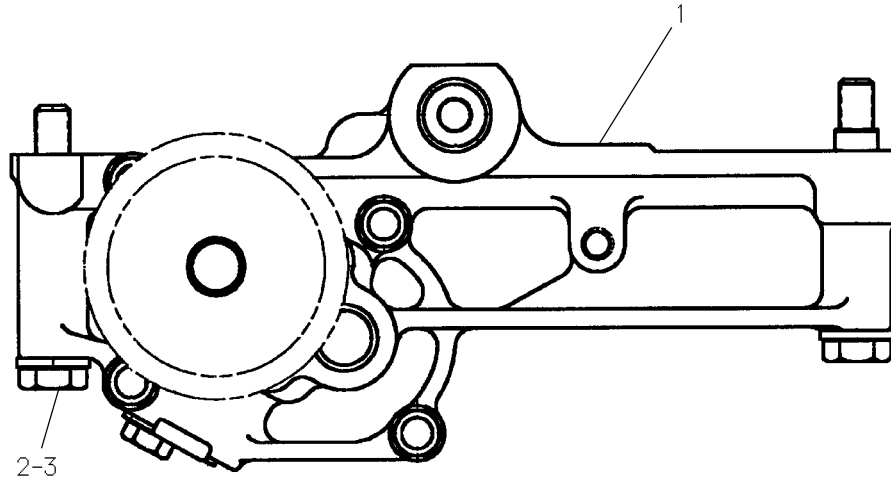
SECTION B-B

NOTE	REF NO	PART NUMBER	QTY	PART NAME	NOTE	REF NO	PART NUMBER	QTY	PART NAME
	1	2W8077	1	BODY AS-OIL PUMP					
	2	2W8091	1	BODY-OIL PUMP					
M	3	6V5219	4	BOLT (M8)					
	4	9M1974	4	WASHER-HARD					
	5	2W8087	1	SHAFT AS					
	6	2W8090	1	SHAFT AS-IDLER					
	7	2W8078	1	PLUNGER-RELIEF					
	8	1051805	1	SPRING					
M	9	6V5215	1	BOLT (M8)					
	10	2W8079	1	WASHER					
	11	2W8085	1	GEAR-PUMP DRIVE					

M - METRIC PART

1192924 PUMP GP-ENGINE OIL
Part of 4W2195 Pump Gp-Engine Oil

LUBRICATION SYSTEM



NOTE	REF NO	PART NUMBER	QTY	PART NAME	NOTE	REF NO	PART NUMBER	QTY	PART NAME
Y	1	1192924	1	PUMP GP					
	2	6V5815	2	BOLT					
	3	6V5839	2	WASHER-HARD					

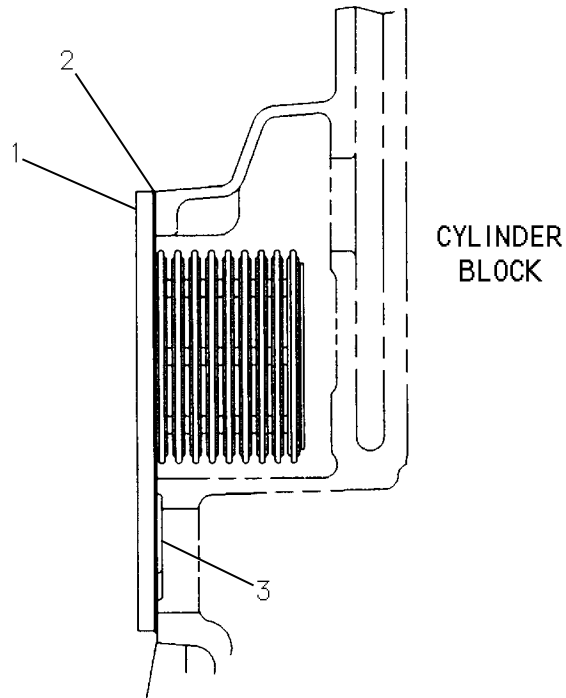
Y - SEPARATE ILLUSTRATION

4W2195 PUMP GP-ENGINE OIL

1192924-Page 60

Part of 14207425 Engine Ar-Core

COOLING SYSTEM



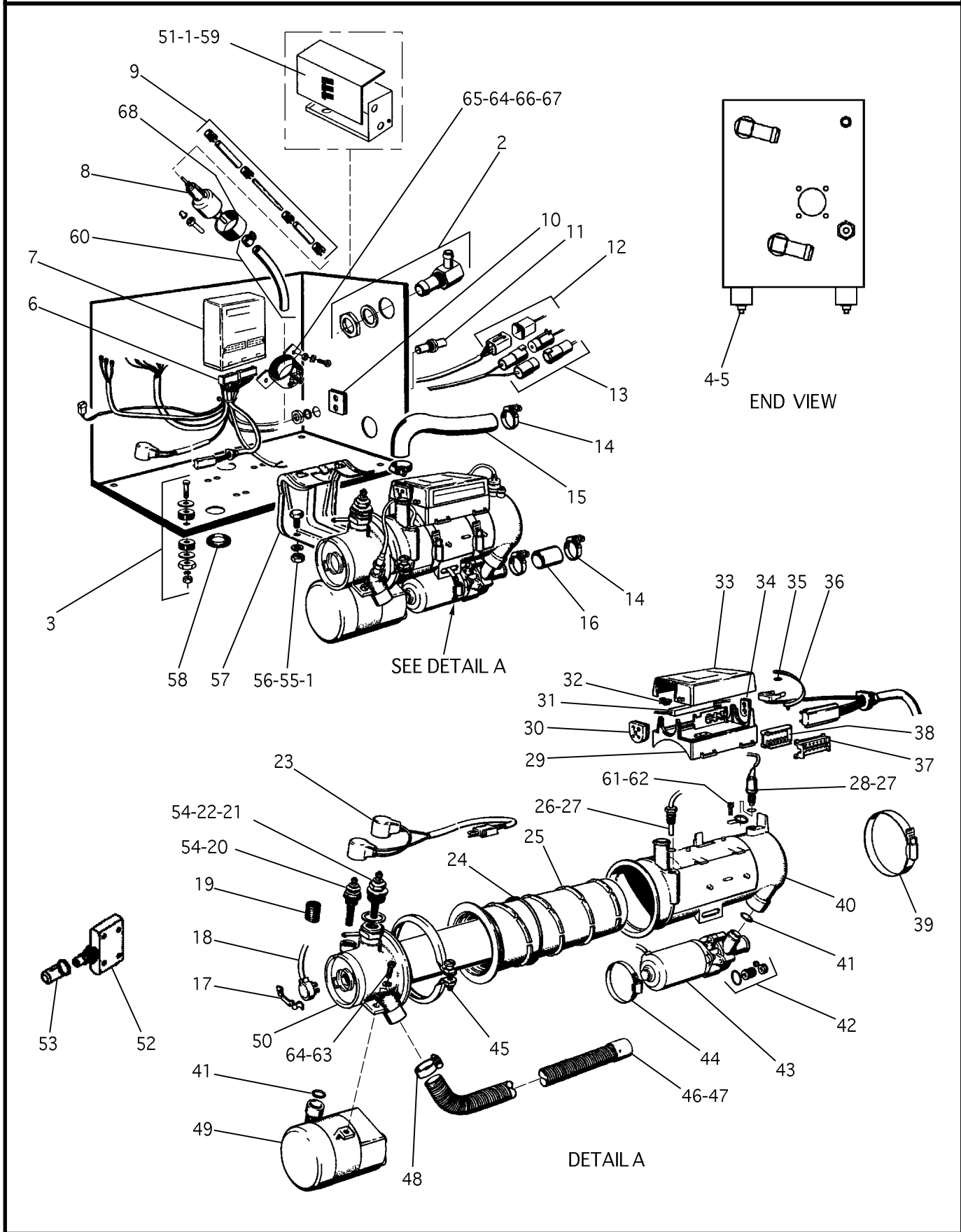
NOTE	REF NO	PART NUMBER	QTY	PART NAME	NOTE	REF NO	PART NUMBER	QTY	PART NAME
	1	1006270	1	CORE AS-OIL COOLER					
	2	1799361	1	GASKET					
	3	8M4445	2	SEAL-O-RING (61 FLANGE-OD 28.9)					

1006269 COOLING GP-ENGINE
 Part of 1287367 Engine Ar-Basic

NOTES

A large, empty rectangular box with a black border, intended for handwritten notes.

COOLING SYSTEM



1Q4311 HEATER GP-BASIC
 Part of 1447867 Heater Gp & Mounting

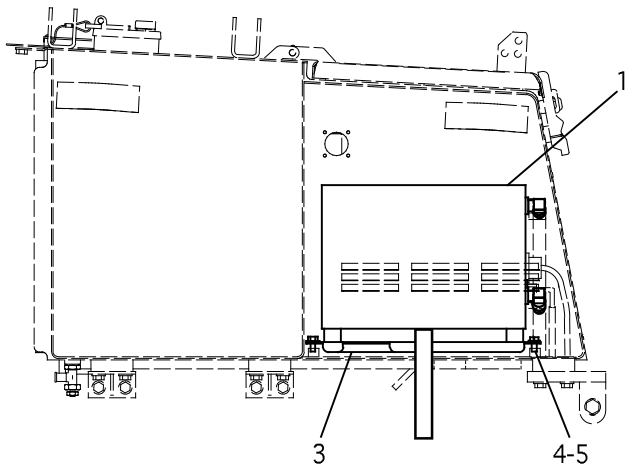
COOLING SYSTEM

NOTE	REF NO	PART NUMBER	QTY	PART NAME	NOTE	REF NO	PART NUMBER	QTY	PART NAME
	1	8T5391	6	BOLT		57	6Q8404	1	BRACKET-HEATER
	2	1157420	2	FITTING-BULKHEAD (90 DEGREE)		58	1138474	1	SEAL
	3	1490664	4	MOUNT KIT-SHOCK		59	1490665	1	COVER-BOX
	4	6V8185	4	NUT-FULL		60	1157427	1	HOSE-PUMP INLET
	5	8T4205	4	WASHER-HARD		61	1720929	1	BRACKET-SWITCH
	6	1157419	1	HARNESS AS		62	6V9673	2	SCREW-MACHINE
	7	1157424	1	UNIT-CONTROL		63	8T6412	1	SCREW-MACHINE
	8	6Q8411	1	PUMP AS-FUEL		64	6A9718	3	WASHER
	9	1157428	1	HOSE-PUMP OUTLET		65	1720305	1	HOLDER-FUEL PUMP
	10	1157422	1	GROMMET		66	8T4171	2	BOLT
	11	1157421	1	FITTING-BULKHEAD		67	5C2890	2	NUT-HEX
	12	1157429	1	HARNESS-SWITCH		68	1720304	1	RING-RUBBER MTG
	13	1157430	1	HARNESS-POWER					
	14	1157425	4	CLAMP-HOSE					
	15	1157426	1	HOSE-OUTLET					
	16	1157423	1	HOSE-INLET					
	17	6Q8382	1	SPRING					
	18	6Q8372	1	SENSOR-FLAME					
	19	1490659	1	SCREEN-GLOW PLUG					
	20	6Q8383	1	RESISTOR					
	21	1490657	1	PLUG-GLOW					
	22	1490662	1	RING-SEAL					
	23	6Q8370	1	WIRE AS					
	24	6Q8392	1	O-RING					
	25	6Q8376	1	HEAT EXCHANGER					
	26	1490655	1	SENSOR-TEMP					
	27	1490660	2	SEAL-O-RING					
	28	6Q8374	1	SWITCH-TEMP					
	29	6Q8377	1	BRACKET					
	30	6Q8378	1	GROMMET					
	31	6Q8373	1	LOAD-RESISTOR					
	32	6Q8389	1	CLIP					
	33	6Q8380	1	COVER					
	34	6Q8379	1	GROMMET					
	35	6Q8387	1	RING					
	36	6Q8386	1	TAPE					
	37	6Q8390	1	RECEPTACLE					
	38	6Q8391	1	RECEPTACLE					
	39	1138468	2	CLAMP-MOUNTING					
	40	1490656	1	HOUSING-JACKET					
	41	6Q8393	2	O-RING					
	42	6Q8396	1	SEAL AS					
	43	6Q8369	1	PUMP AS-WATER					
	44	1140443	1	CLAMP					
	45	6Q8395	1	CLIP					
	46	1720303	1	PIPE-EXHAUST					
	47	1138470	1	CAP-EXHAUST PIPE					
	48	1138471	1	CLAMP-EXHAUST					
	49	1137918	1	BLOWER					
	50	6Q8368	1	BURNER AS					
	51	2W6662	1	WASHER-WAVE SPG					
	52	1138472	1	BREAKER-30 AMP					
	53	1138473	1	CAP-BREAKER					
	54	5C8312	2	NUT					
	55	3B4505	4	LOCKWASHER (5/16)					
	56	6V8189	4	NUT-FULL					
ITEMS NOT IDENTIFIED ARE NOT SOLD SEPARATELY									

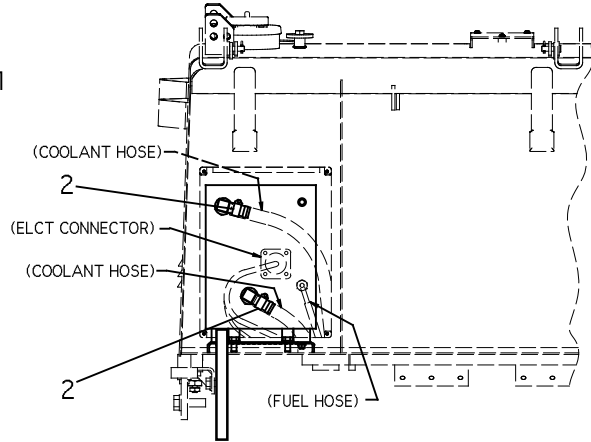
1Q4311 HEATER GP-BASIC

Part of 1447867 Heater Gp & Mounting

COOLING SYSTEM



L.H. SIDE VIEW



REAR VIEW

NOTE	REF NO	PART NUMBER	QTY	PART NAME	NOTE	REF NO	PART NUMBER	QTY	PART NAME
Y	1	1Q4311	1	HEATER GP-BASIC					
	2	5D1026	2	CLAMP-HOSE					
	3	1247046	1	PLATE					
M	4	8T4121	3	WASHER					
	5	8T4137	3	BOLT-HEX HEAD (M10)					

M - METRIC PART
Y - SEPARATE ILLUSTRATION

1447867 HEATER GP & MOUNTING

1Q4311-Page 65

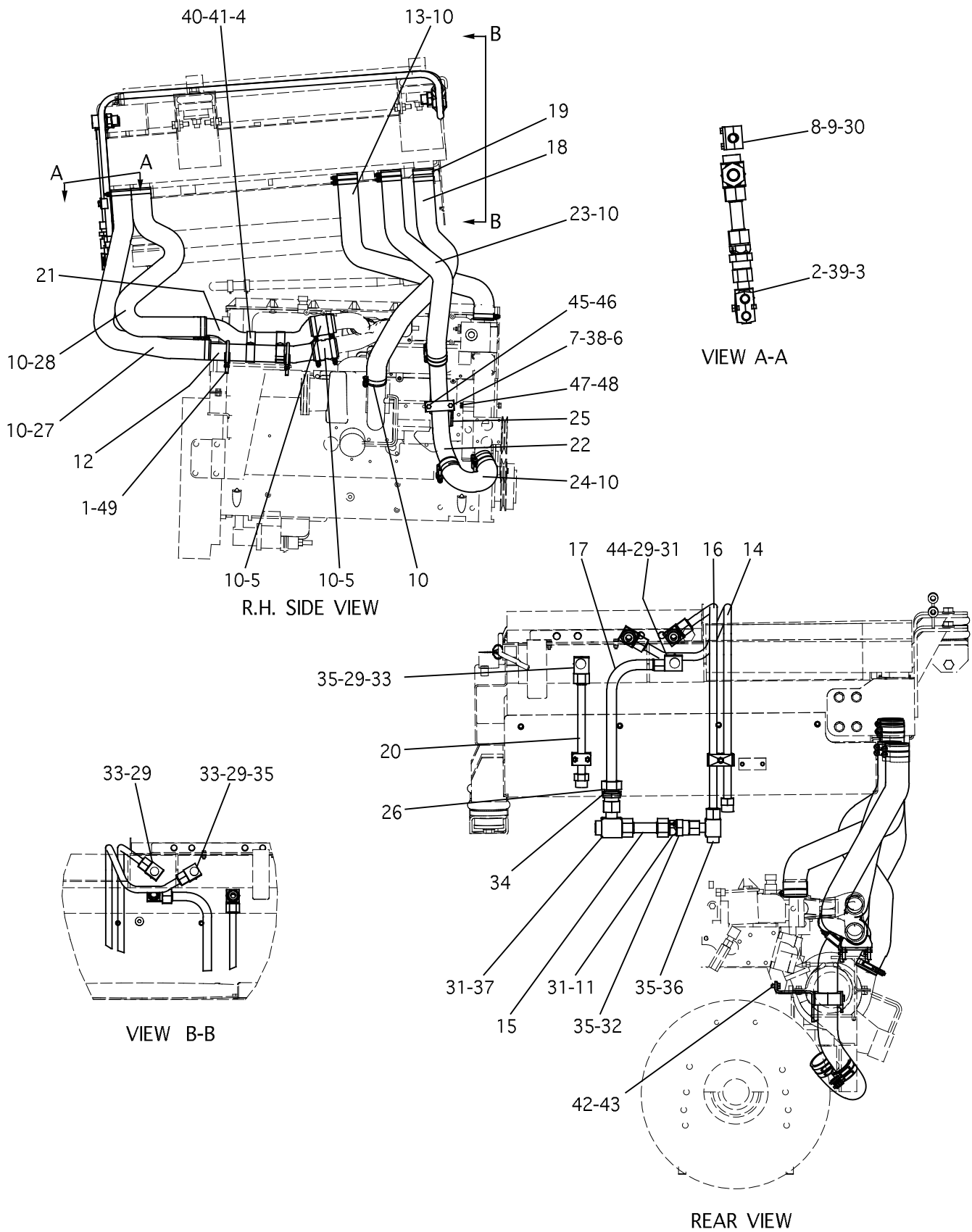
Part of 1670604 Starting Kit-Cold Weather

COOLING SYSTEM

1	1448603	LINES GP-HYD FAN	74
1	1448599	PUMP GP & MTG (COOLING FAN)	..84

1448596 HYDRAULIC AR-FAN
Part of 1447162 General Ar

COOLING SYSTEM



1363939 LINES GP-COOLANT
Part of 1447163 Installation Ar

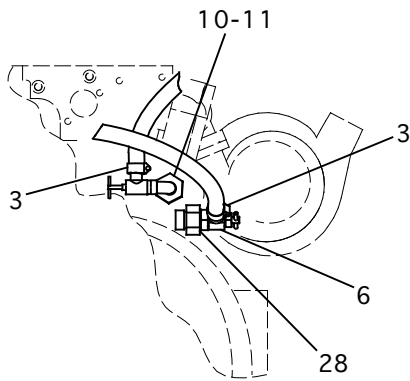
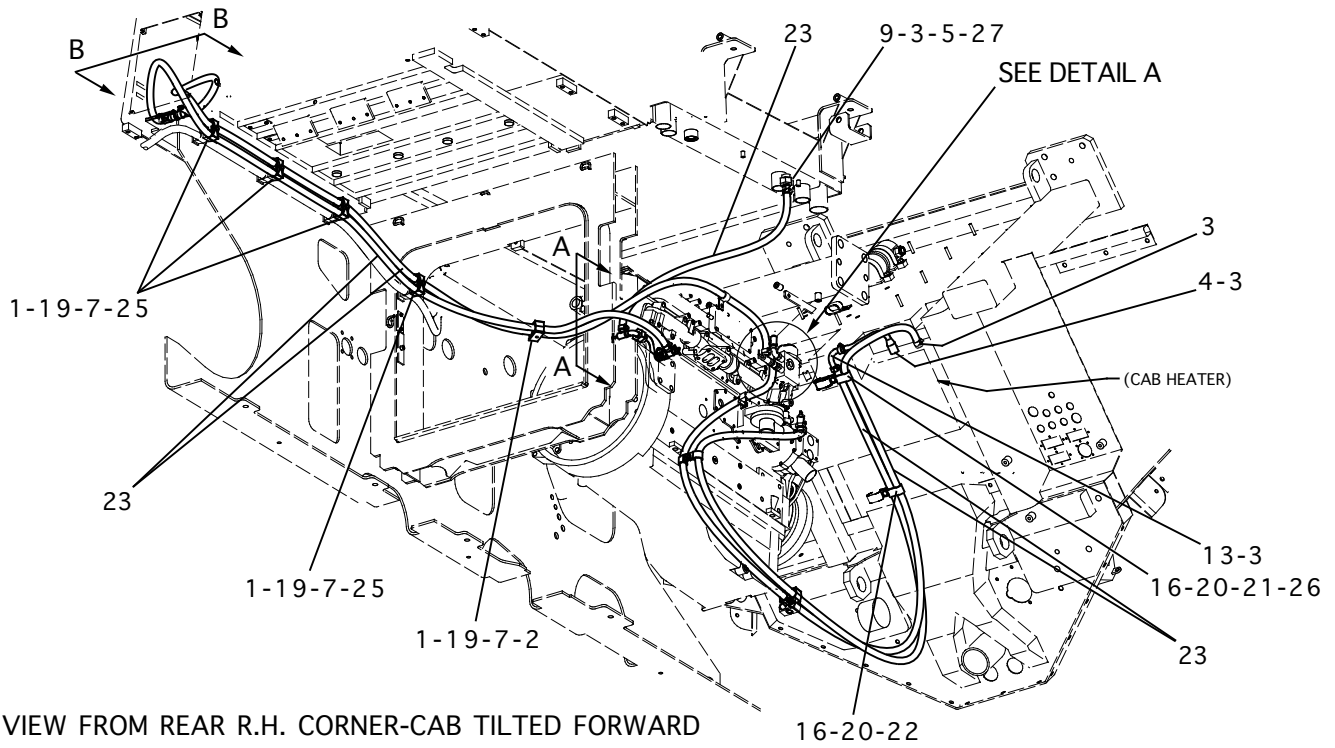
COOLING SYSTEM

NOTE	REF NO	PART NUMBER	QTY	PART NAME	NOTE	REF NO	PART NUMBER	QTY	PART NAME
	1	1493519	2	CLAMP AS		45	7X0266	1	BOLT-HEX
	2	4V0611	2	CLAMP-DOUBLE		46	5P4115	1	WASHER-HARD
	3	4V0612	1	PLATE		47	8T4121	1	WASHER-HARD
	4	5J8031	4	CLIP		48	8T4191	1	BOLT-HEX
	5	6I4265	2	HOSE		49	8T4896	4	WASHER-HARD
	6	7R7942	2	CLAMP-TUBE					
	7	7R7952	1	PLATE-COVER					
	8	7V5626	2	CLAMP					
	9	7V5628	1	PLATE					
	10	8T6703	20	CLAMP-HOSE					
	11	1026305	1	VALVE-CHECK					
	12	1248537	1	TUBE					
	13	1351821	1	HOSE					
	14	1353798	1	TUBE AS					
		6V8556	1	NUT-ORFS					
		6V8563	1	SLEEVE-ORFS					
		6V8725	1	CONNECTOR (M-ORFS,TUBE)					
	15	1353799	1	TUBE AS					
		6V8557	2	NUT-ORFS					
		6V8564	2	SLEEVE-ORFS					
	16	1353800	1	TUBE AS					
		6V8556	2	NUT-ORFS					
		6V8563	2	SLEEVE-ORFS					
	17	1353801	1	TUBE AS					
		6V8557	1	NUT-ORFS					
		6V8564	1	SLEEVE-ORFS					
	18	1363940	1	HOSE					
	19	1440367	2	CLAMP-HOSE					
	20	1455171	1	TUBE AS					
		6V8556	1	NUT-ORFS					
		6V8563	1	SLEEVE-ORFS					
		6V8725	1	CONNECTOR (M-ORFS,TUBE)					
	21	1503118	1	TUBE					
	22	1503131	1	TUBE					
	23	1528315	1	HOSE					
	24	1528316	1	HOSE					
	25	1528317	1	BRACKET AS					
B	26	1551365	4	SHIM					
	27	1725748	1	HOSE					
	28	1587677	1	HOSE					
	29	3D2824	4	SEAL-O-RING (ORB-OD 29.5)					
	30	4M5282	2	BOLT (1/4)					
	31	5K9090	5	SEAL-O-RING (ORFS-OD 28)					
	32	6V8946	1	REDUCER-O-RING (M,F-ORFS)					
	33	6V9007	3	ELBOW 90° (M-ORFS,M-STOR)					
	34	6V9172	1	NUT-BULKHEAD					
	35	6V9746	5	SEAL-O-RING (ORFS-OD 23.4)					
	36	6V9846	1	TEE (M,M-ORFS,M-STOR)					
	37	6V9847	1	TEE (M,M-ORFS,M-STOR)					
	38	7X0265	1	BOLT-HEX (1/4)					
	39	7X0440	1	BOLT (5/16)					
M	40	8T4133	2	NUT (M10)					
M	41	8T4137	2	BOLT (M10)					
M	42	8T4200	1	BOLT (M18)					
M	43	8T4224	1	WASHER (M8)					
	44	8T6684	1	ELBOW 90° (M-ORFS,M-STOR)					

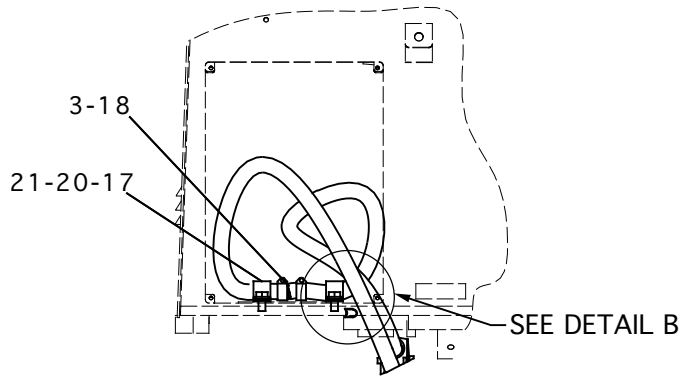
B - USE AS REQUIRED
M - METRIC PART

1363939 LINES GP-COOLANT
Part of 1447163 Installation Ar

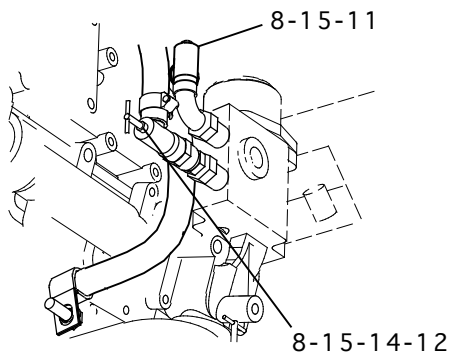
COOLING SYSTEM



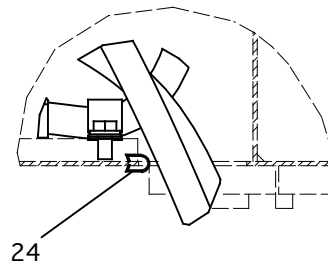
VIEW A-A



VIEW B-B



DETAIL A



DETAIL B

REFER TO ALL ILLUSTRATIONS OF THIS GROUP

1243860 LINES GP-HEATER PART 1 OF 2
Part of 1447166 Operator Ar

COOLING SYSTEM

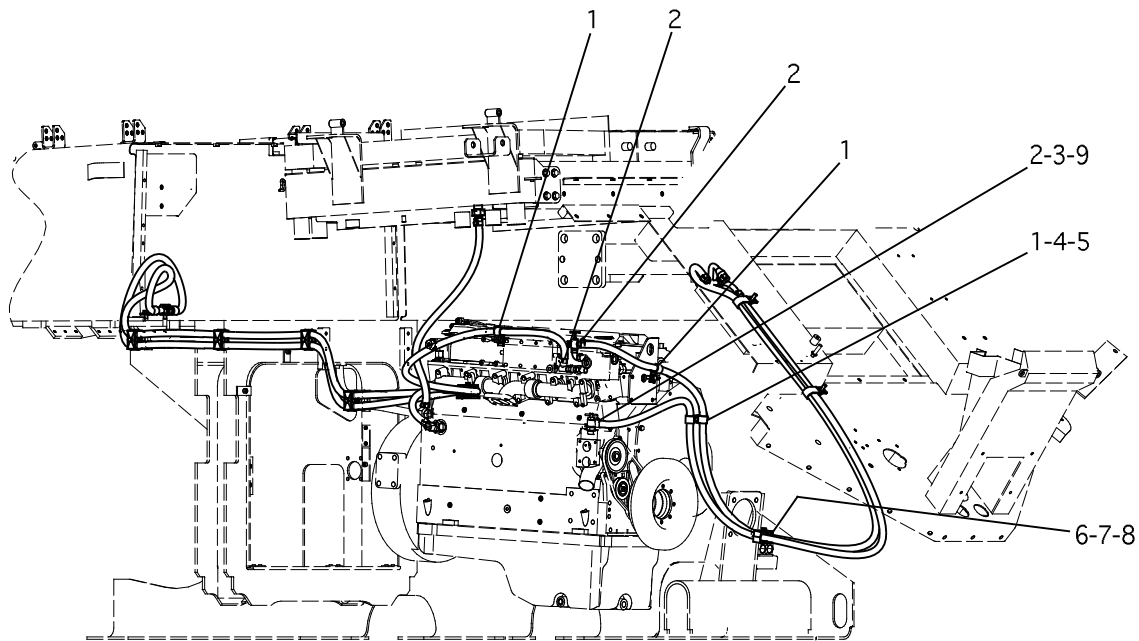
NOTE	REF NO	PART NUMBER	QTY	PART NAME	NOTE	REF NO	PART NUMBER	QTY	PART NAME
		4V0612	5	PLATE					
		4V0969	1	PLATE AS					
		5D1026	9	CLAMP-HOSE					
		5V4235	1	ELBOW-HOSE					
		6L9952	1	ADAPTER (M-STOR,F-NPTF 34 MM)					
		7E4761	1	VALVE-SHUTOFF					
		7V6659	10	CLAMP-DOUBLE					
		8F8151	3	COCK-SHUT OFF					
		9M4814	1	CONNECTOR-HOSE (M-NPTF)					
		9N1595	1	NUT					
		32143	2	ELBOW 90° (M,F-NPTF)					
		46683	1	NIPPLE-PIPE					
		1090741	1	CONNECTOR-90° (TUBE)					
		39514	1	COUPLING-PIPE (F,F-NPTF)					
		3B7255	2	BUSHING-REDUCING					
		5P6994	2	CLIP					
		6D4636	1	CLIP					
		7N2044	1	DOWEL					
		7X0440	5	BOLT-HEX (5/16)					
M		8T4121	4	WASHER-HARD (M10)					
M		8T4137	3	BOLT (M10)					
M		8T4195	1	BOLT (M10)					
BD		5P0767	16	HOSE (BULK)					
E		918488	10	CHANNEL-TRIM					
		7R7964	8	PLATE-SAFETY					
		8T4133	1	NUT-FULL					
		3D2824	1	SEAL-O-RING (ORB-OD 29.5)					
		6V1722	1	ADAPTER (M,F-STOR 34 MM)					

B - USE AS REQUIRED
 D - ORDER BY THE METER
 E - ORDER BY THE CENTIMETER
 M - METRIC PART

1243860 LINES GP-HEATER PART 1 OF 2

Part of 1447166 Operator Ar

COOLING SYSTEM



R.H. SIDE VIEW

REFER TO ALL ILLUSTRATIONS OF THIS GROUP

NOTE	REF NO	PART NUMBER	QTY	PART NAME	NOTE	REF NO	PART NUMBER	QTY	PART NAME
	1	6D4636	5	CLIP					
	2	5D1026	3	CLAMP-HOSE					
	3	7E4761	1	VALVE-SHUTOFF					
	4	8T4224	2	WASHER-HARD (5/16)					
	5	5C7261	1	NUT-FULL					
	6	7V6659	2	CLAMP-DOUBLE					
	7	4V0612	1	PLATE					
	8	7X0440	1	BOLT (5/16)					
	9	6V1722	1	ADAPTER (M,F-STOR 34 MM)					

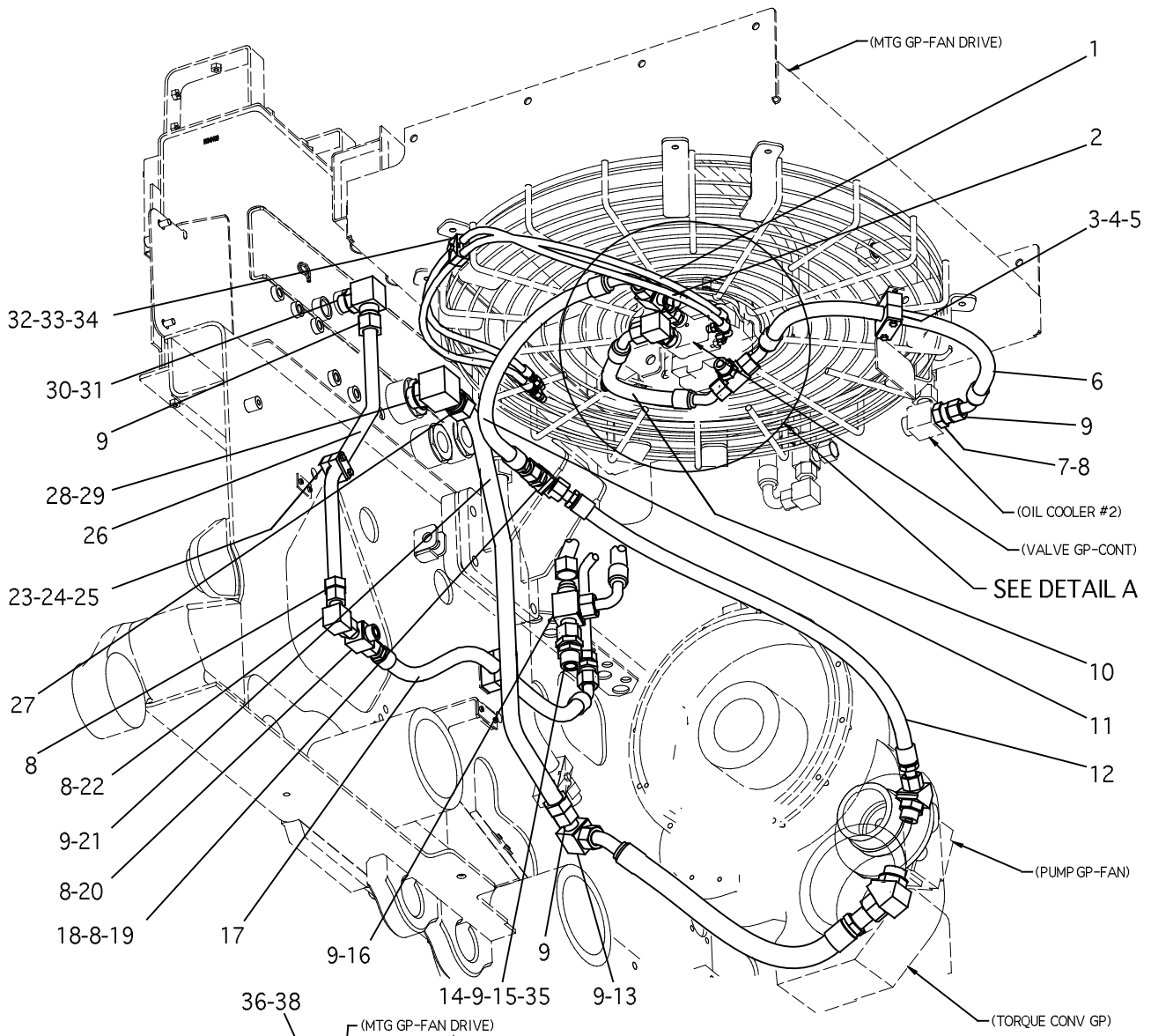
1243860 LINES GP-HEATER PART 2 OF 2

Part of 1447166 Operator Ar

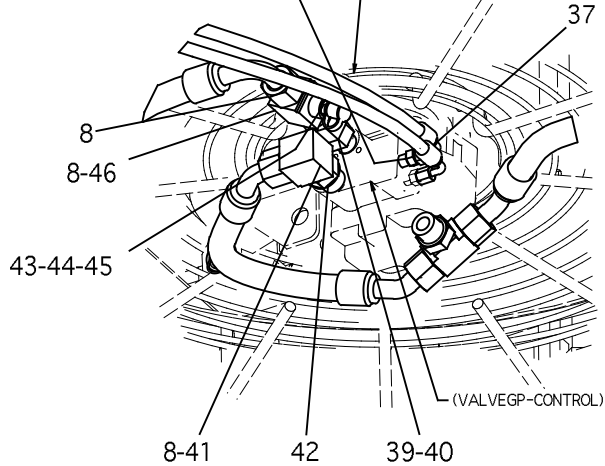
NOTES

A large, empty rectangular box with a black border, intended for handwritten notes.

COOLING SYSTEM



VIEW FROM FRONT LEFT CORNER



DETAIL A

REFER TO ALL ILLUSTRATIONS OF THIS GROUP

1448603 LINES GP-HYD FAN PART 1 OF 3

Part of 1448596 Hydraulic Ar-Fan

COOLING SYSTEM

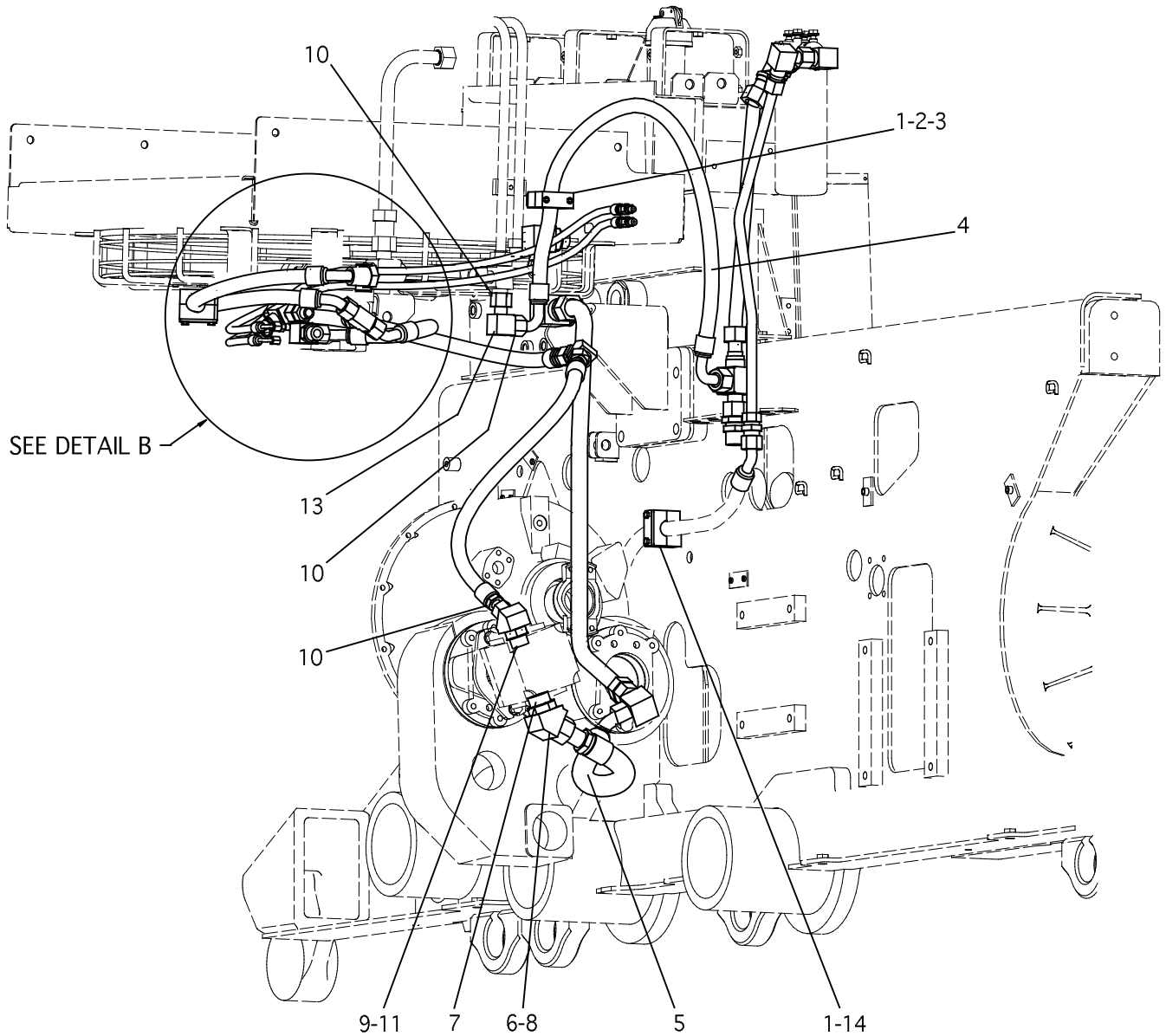
NOTE	REF NO	NUMBER PART	QTY	PART NAME	NOTE	REF	NUMBER PART	QTY	PART NAME
	1	1549781	1	HOSE AS					
	2	1249785	1	HOSE AS					
		1242015	1	COUPLING-HOSE 90° (JIC)					
	3	7R7939	2	CLAMP-PIPE					
	4	7R7951	1	PLATE (OUTER)					
	5	7X0264	2	BOLT-HEX (1/4-20)					
	6	1549784	1	HOSE AS					
	7	6V8946	1	REDUCER-O-RING (M,F-ORFS)					
	8	6V9746	9	SEAL-O-RING (ORFS-OD 23.4)					
	9	5K9090	7	SEAL-O-RING (ORFS-OD 28)					
	10	1617367	1	HOSE AS					
	11	7X6168	1	HOSE AS					
	12	1688493	1	HOSE AS					
	13	6V9854	1	ELBOW 90° (M,F-ORFS)					
	14	6V9172	1	NUT-BULKHEAD (7/16-12)					
	15	6V8998	1	UNION (M,F-ORFS)					
	16	6V9840	1	TEE (M-ORFS,M-STOR,M-ORFS)					
	17	1549782	1	HOSE AS					
	18	2P1293	1	LOCKNUT-BULKHEAD (3/16-12)					
	19	6V8990	1	ELBOW 45° (M,F-ORFS)					
	20	6V9839	1	TEE (M-ORFS,M-STOR,M-ORFS)					
	21	1694294	1	TUBE AS					
		6V8558	1	NUT-ORFS					
		6V8565	1	SLEEVE-ORFS					
	22	6V9853	1	ELBOW 90° (M,F-ORFS)					
	23	4M5282	2	BOLT (1/4-20)					
	24	7V5628	1	PLATE					
	25	7V6089	2	CLAMP					
	26	1493224	1	TUBE AS					
		6V8557	1	NUT-ORFS					
		6V8564	1	SLEEVE-ORFS					
	27	6V8400	1	SEAL-O-RING (ORFS-OD 33.5)					
	28	2S4078	1	SEAL-O-RING (ORB-OD 43.5)					
	29	6V9009	1	ELBOW 90° (M-ORFS,M-STOR)					
	30	7M8485	1	SEAL-O-RING (ORB-OD 35.7)					
	31	6V9008	1	ELBOW 90° (M-ORFS,M-STOR)					
	32	8C6561	1	BOLT-HEX (5/16-18) CLAMP					
	33	1G6094	2	CLAMP					
	34	3V0046	1	PLATE					
	35	1551365	2	SHIM					
	36	1J9671	1	SEAL-O-RING (ORB-OD 14.1)					
	37	4J5477	1	SEAL-O-RING (ORFS-OD 12.2)					
	38	8T6988	1	CONNECTOR (M-ORFS,M-STOR)					
	39	6V8640	1	CONNECTOR (M-ORFS,M-STOR)					
	40	2M9780	1	SEAL-O-RING (ORB-OD 24.2)					
	41	6V9007	1	ELBOW 90° (M-ORFS,M-STOR)					
	42	3D2824	1	SEAL-O-RING (ORB-OD 29.5)					
	43	3J1907	1	SEAL-O-RING (ORB-OD 15.9)					
	44	7X5308	1	CAP-DUST					
	45	6V3965	1	NIPPLE AS					
		6V4143	1	COUPLING (F-QUICK 45 MM LG)					
		6V4144	1	COUPLING (F-QUICK 55 MM LG)					
	46	7X0873	1	TEE (M,F-ORFS,F-STOR)					

B – USE AS REQUIRED

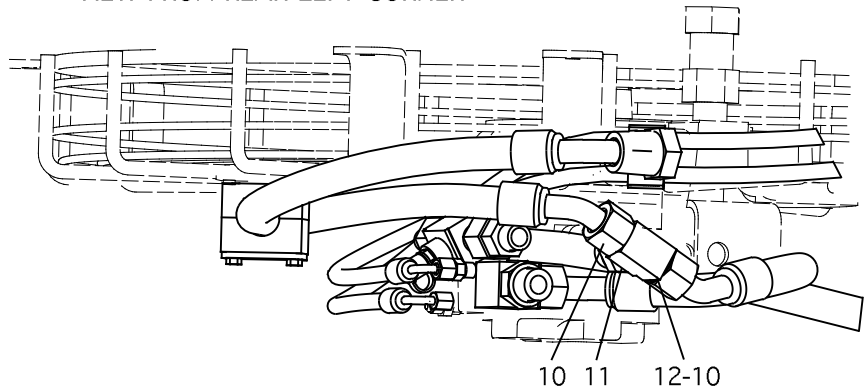
1448603 LINES GP-HYD FAN PART 1 OF 3

Part of 1448596 Hydraulic Ar-Fan

COOLING SYSTEM



VIEW FROM REAR LEFT CORNER



DETAIL B

REFER TO ALL ILLUSTRATIONS OF THIS GROUP

1448603 LINES GP-HYD FAN PART 2 OF 3
Part of 1448596 Hydraulic Ar-Fan

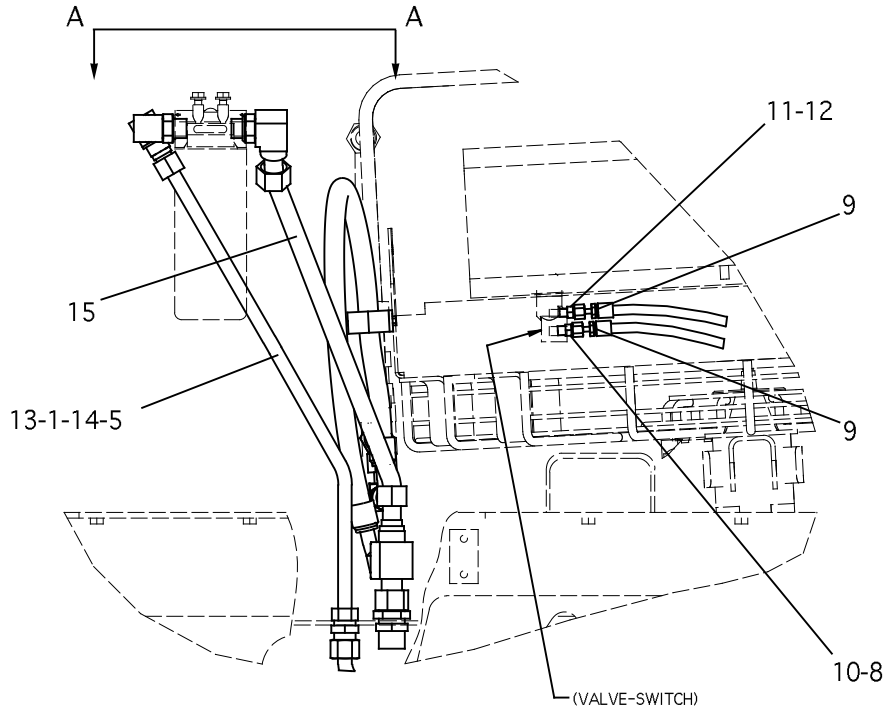
COOLING SYSTEM

NOTE	REF NO	PART NUMBER	QTY	PART NAME	NOTE	REF NO	PART NUMBER	QTY	PART NAME
	1	7R7939	4	CLAMP-PIPE					
	2	7X0264	2	BOLT-HEX (1/4-20)					
	3	7R7951	1	PLATE (OUTER)					
	4	1549785	1	HOSE AS					
	5	1608027	1	HOSE AS					
	6	6V9006	1	ELBOW 45° (M-ORFS,M-STOR)					
	7	2S4078	1	SEAL-O-RING (ORB-OD 43.5)					
	8	6V8400	1	SEAL-O-RING (ORFS-OD 33.5)					
	9	8T4149	1	ELBOW 45° (M-ORFS,M-STOR)					
	10	6V9746	5	SEAL-O-RING (ORFS-OD 23.4)					
	11	3D2824	2	SEAL-O-RING (ORB-OD 29.5)					
	12	6V8777	1	TEE (M,M-ORFS,M-STOR)					
	13	6V9853	1	ELBOW 90° (M,F-ORFS)					
	14	7R7960	2	BOLT-STACKING (1/4-20 X 63 MM)					

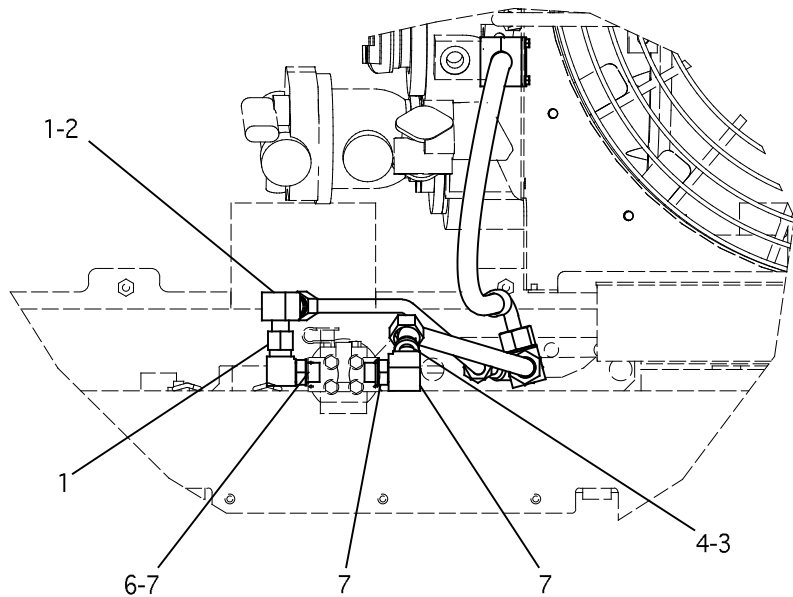
1448603 LINES GP-HYD FAN PART 2 OF 3

Part of 1448596 Hydraulic Ar-Fan

COOLING SYSTEM



R.H. SIDE VIEW



VIEW A-A

REFER TO ALL ILLUSTRATIONS OF THIS GROUP

1448603 LINES GP-HYD FAN PART 3 OF 3
Part of 1448596 Hydraulic Ar-Fan

COOLING SYSTEM

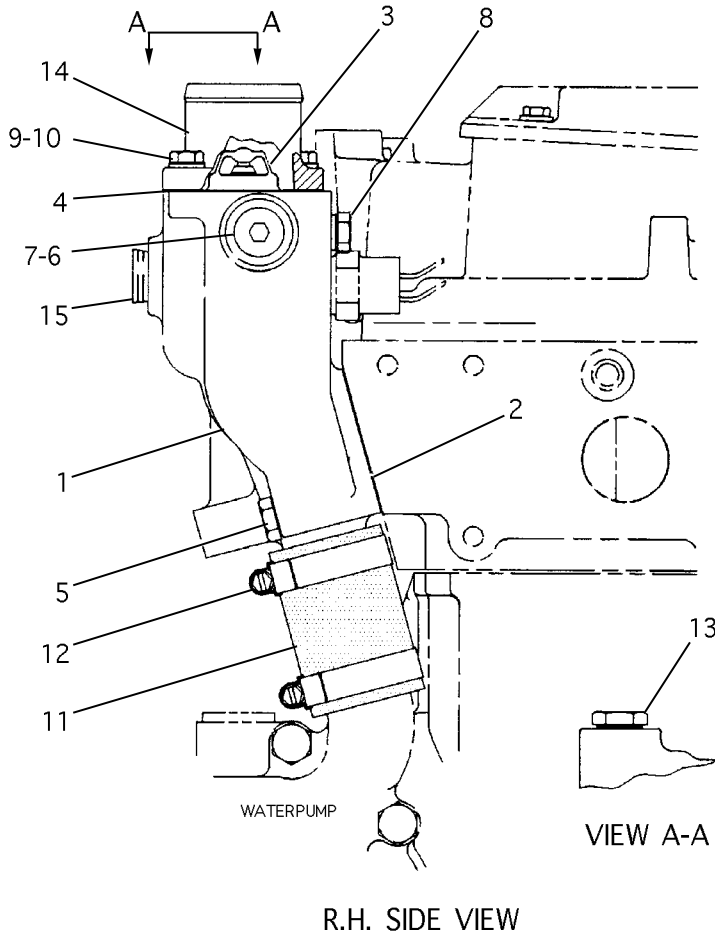
NOTE	REF NO	PART NUMBER	QTY	PART NAME	NOTE	REF NO	PART NUMBER	QTY	PART NAME
B	1	6V9746	3	SEAL-O-RING (ORFS-OD 23.4)					
	2	6V9853	1	ELBOW 90° (M,F-ORFS)					
	3	8T6684	1	ELBOW 90° (M-ORFS,M-STOR)					
	4	5K9090	1	SEAL-O-RING (ORFS-OD 28)					
	5	0677832	2	WASHER-BEARING					
	6	6V9007	1	ELBOW 90° (M-ORFS,M-STOR)					
	7	3D2824	1	SEAL-O-RING (ORB-OD 29.5)					
	8	1J9671	1	SEAL-O-RING (ORB-OD 14.1)					
	9	4J5477	2	SEAL-O-RING (ORFS-OD 12.2)					
	10	8T6988	1	CONNECTOR (M-ORFS,M-STOR)					
	11	6V8647	1	CONNECTOR (M-ORFS,M-STOR)					
	12	3J7354	1	SEAL-O-RING (ORB-OD 12.5)					
	13	2P1293	1	LOCKNUT-BULKHEAD (3/16-12)					
	14	1249037	1	TUBE AS					
	15	6V8556	1	NUT-ORFS					
8T8563		1	SLEEVE-ORFS						
1493209		1	TUBE AS						
6V8557		2	NUT-ORFS						
		6V8564	2	SLEEVE-ORFS					

B - USE AS REQUIRED

1448603 LINES GP-HYD FAN PART 3 OF 3

Part of 1448596 Hydraulic Ar-Fan

COOLING SYSTEM



NOTE	REF NO	PART NUMBER	QTY	PART NAME	NOTE	REF NO	PART NUMBER	QTY	PART NAME
	1	1013244	1	HOUSING-WATER REGULATING					
	2	2W7212	1	GASKET-REGULATOR					
	3	1193075	1	REGULATOR-WATER					
	4	4P2684	1	GASKET					
M	5	6V5230	2	BOLT (M10)					
	6	9S8005	1	PLUG-O-RING					
	7	3K0360	1	SEAL-O-RING (ORB-OD 20.8)					
	8	8T6767	1	PLUG-PIPE					
M	9	6V3940	2	BOLT (M8)					
	10	9M1974	2	WASHER-HARD					
	11	7E0759	1	HOSE					
	12	1274471	2	CLAMP-HOSE					
	13	7W6492	2	PLUG-PIPE					
	14	4P2685	1	PIPE					
	15	8T6762	1	PLUG-PIPE					

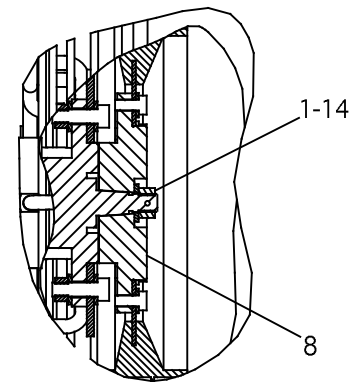
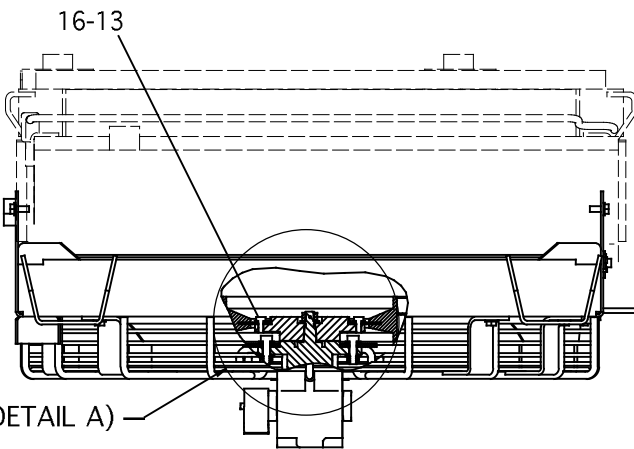
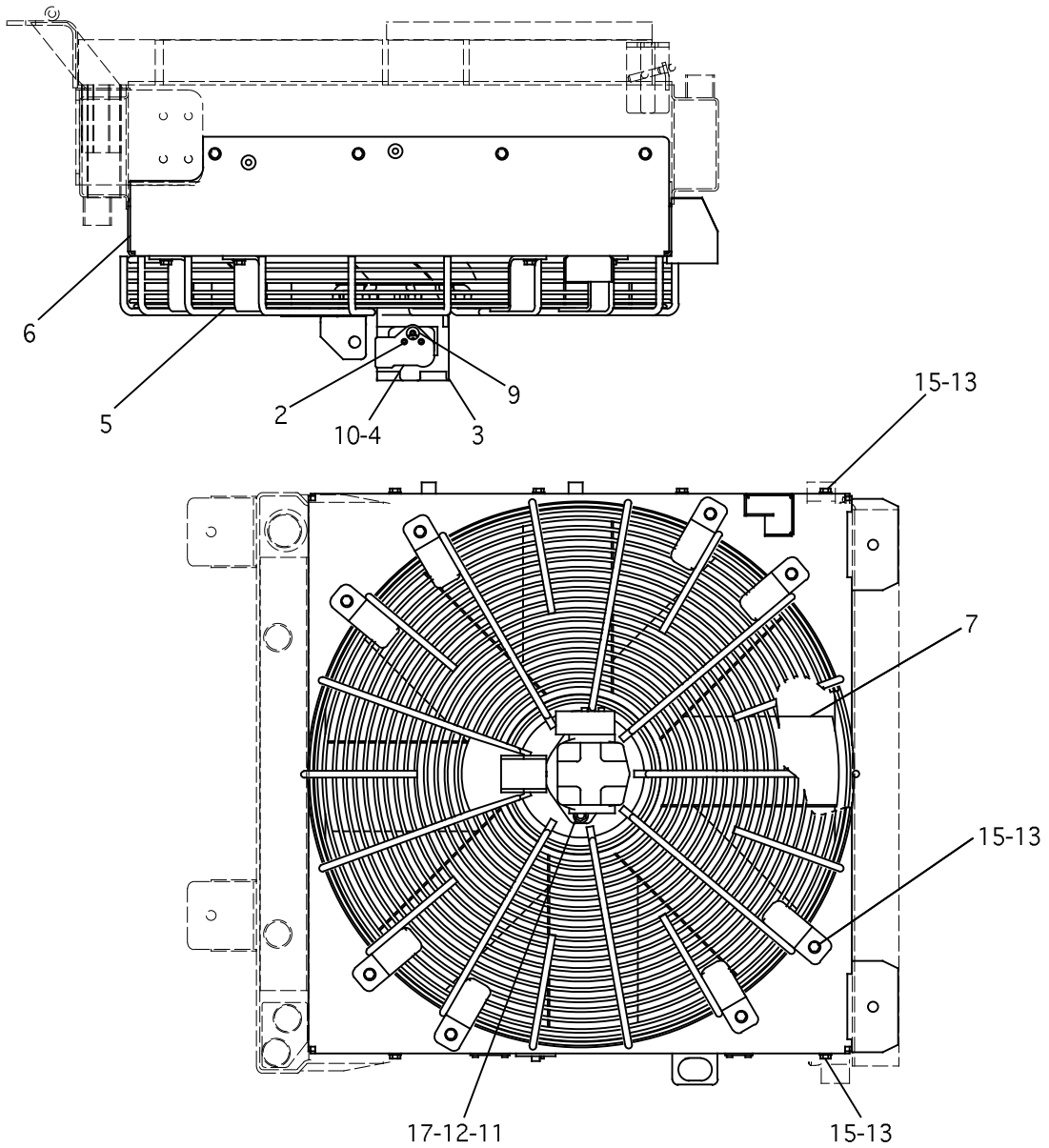
M - METRIC PART

1004942 LINES GP-WATER
Part of 1287367 Engine Ar-Basic

NOTES

A large, empty rectangular box with a black border, intended for handwritten notes.

COOLING SYSTEM



DETAIL A

1450072 MOUNTING GP-FAN DRIVE
Part of 1447163 Installation Ar

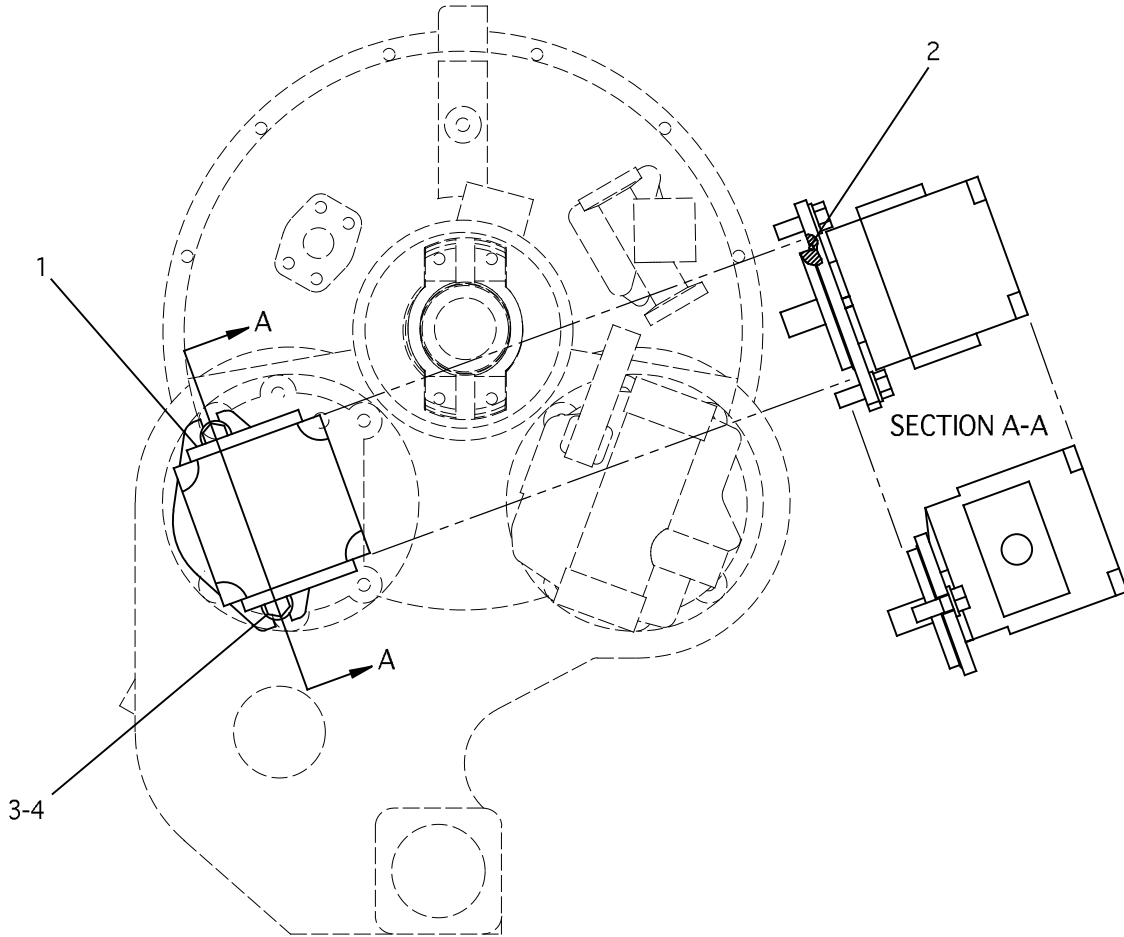
COOLING SYSTEM

NOTE	REF NO	PART NUMBER	QTY	PART NAME	NOTE	REF NO	PART NUMBER	QTY	PART NAME
	1	6B6683	1	NUT-FULL					
	2	0950645	2	BOLT-SOCKET HEAD					
Y	3	1243903	1	MOTOR GP-BASIC					
Y	4	1643014	1	VALVE GP-CONTROL					
	5	1249038	1	GUARD AS-FAN					
	6	1302870	1	SHROUD AS					
		4V0969	1	PLATE AS (30 X 70 MM)					
		7R7944	1	PLATE AS (30 X 110 MM)					
		7V5627	1	PLATE AS (30 X 49 MM)					
		8T3490	8	NUT-WELD					
		9R3924	2	BOSS					
	7	1303256	1	FAN-SUCTION					
	8	1309433	1	ADAPTER-FAN					
	9	8T0269	1	BOLT-SOCKET HEAD					
	10	5K9090	1	SEAL-O-RING (ORFS-OD 28)					
	11	5P2566	2	BOLT (.50-13)					
	12	6V8188	2	NUT-FULL					
	13	8T4121	24	WASHER-HARD					
	14	8T4122	1	WASHER-HARD					
M	15	8T4136	16	BOLT (M10)					
M	16	8T4137	8	BOLT (M10)					
	17	8T4223	4	WASHER-HARD					

M - METRIC PART
 Y - SEPARATE ILLUSTRATION

1450072 MOUNTING GP-FAN DRIVE
 1243903-Page 357, 1643014-Page 381
 Part of 1447163 Installation Ar

COOLING SYSTEM



NOTE	REF NO	PART NUMBER	QTY	PART NAME	NOTE	REF NO	PART NUMBER	QTY	PART NAME
Y	1	1244623	1	PUMP GP-PS/BASIC					
	2	1H6227	1	SEAL-O-RING (OD 108.3)					
	3	8C4436	2	BOLT					
	4	8T4223	2	WASHER-HARD					

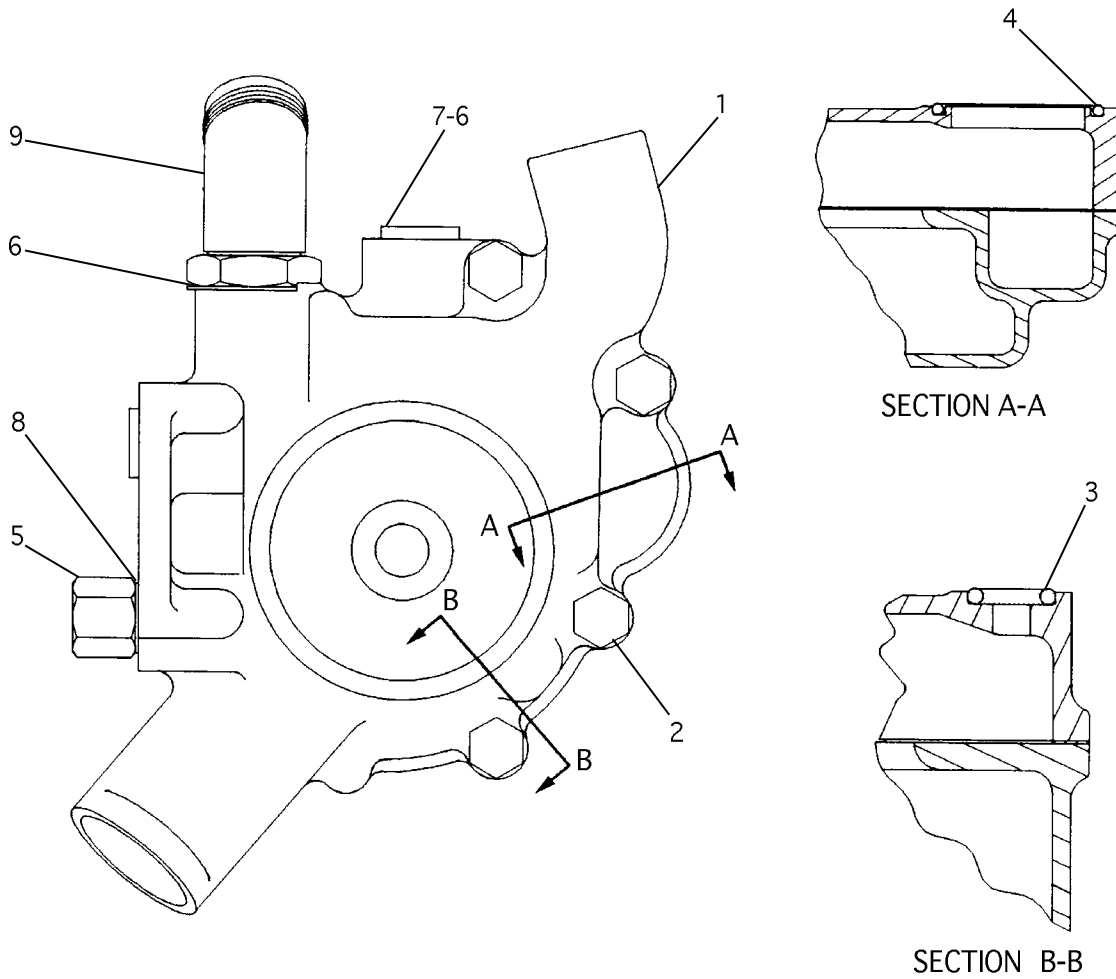
Y - SEPARATE ILLUSTRATION

1448599 PUMP GP & MOUNTING (COOLING FAN)

1244623-Page 363

Part of 1448596 Hydraulic Ar-Fan

COOLING SYSTEM



NOTE	REF NO	PART NUMBER	QTY	PART NAME	NOTE	REF NO	PART NUMBER	QTY	PART NAME
RY	1	1208402	1	PUMP GP-WATER					
M	2	8T0644	4	BOLT (M10)					
	3	2M4453	1	SEAL-O-RING (OD 19.4)					
	4	7F8267	1	SEAL-O-RING (OD 54.3)					
	5	5P1838	1	ADAPTER-O-RING (M-STOR,F-NPTF)					
	6	3D2824	2	SEAL-O-RING (ORB-OD 29.5)					
	7	9S8008	1	PLUG-O-RING					
	8	3K0360	1	SEAL-O-RING (ORB-OD 20.8)					
	9	0088381	1	ELBOW 90° (M-JIC,M-STOR)					

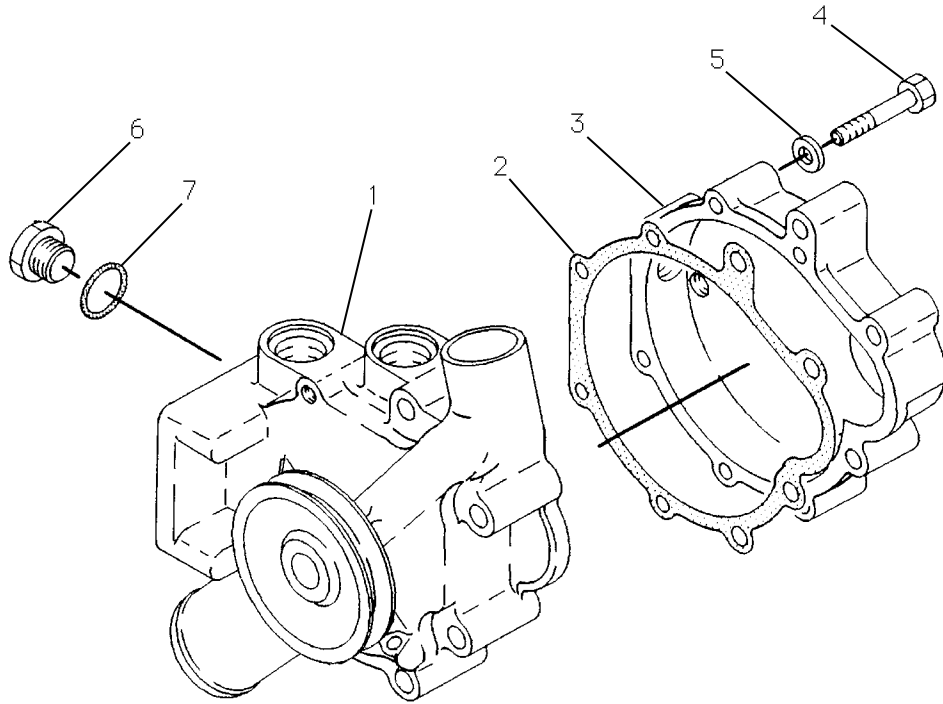
M - METRIC PART
R - REMFG PART MAY BE AVAILABLE
Y - SEPARATE ILLUSTRATION

1214328 PUMP GP-WATER

1208402-Page 86

Part of 1287367 Engine Ar-Basic

COOLING SYSTEM



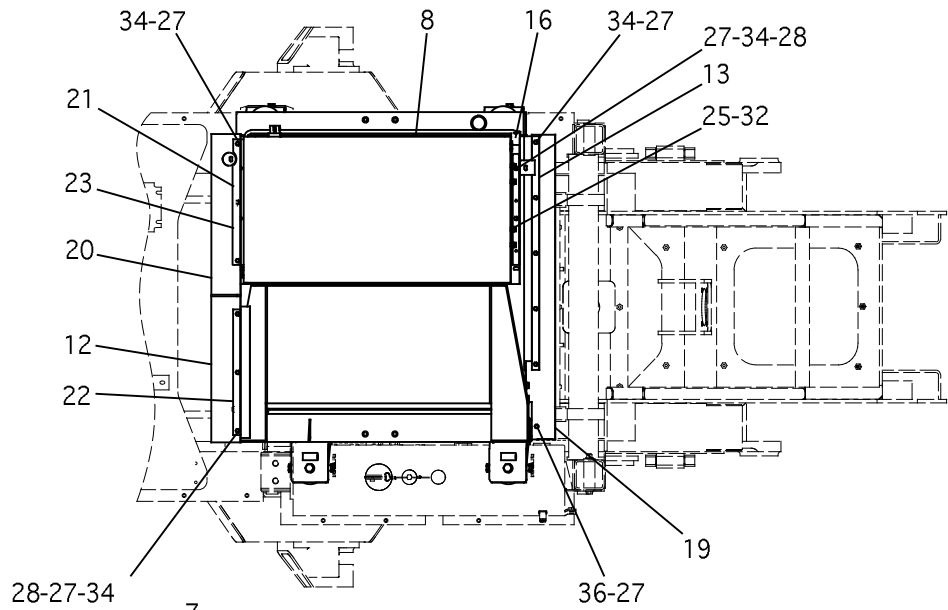
NOTE	REF NO	PART NUMBER	QTY	PART NAME	NOTE	REF NO	PART NUMBER	QTY	PART NAME
	1	1593141	1	PUMP AS-WATER					
		1475088	1	SEAL AS					
		4P3681	1	HOUSING-PUMP					
		4W0250	1	SHAFT AS					
		1523952	1	IMPELLER					
		7W3780	1	PULLEY					
		1193025	1	FILTER					
	2	4W7592	1	GASKET					
	3	1077701	1	COVER					
	4	6V3918	4	BOLT (3/8)					
	5	9M1974	4	WASHER-HARD					
	6	9S8005	1	PLUG-O-RING					
	7	3K0360	1	SEAL-O-RING (ORB-OD 20.8)					

1208402 PUMP GP-WATER
Part of 1214328 Pump Gp-Water

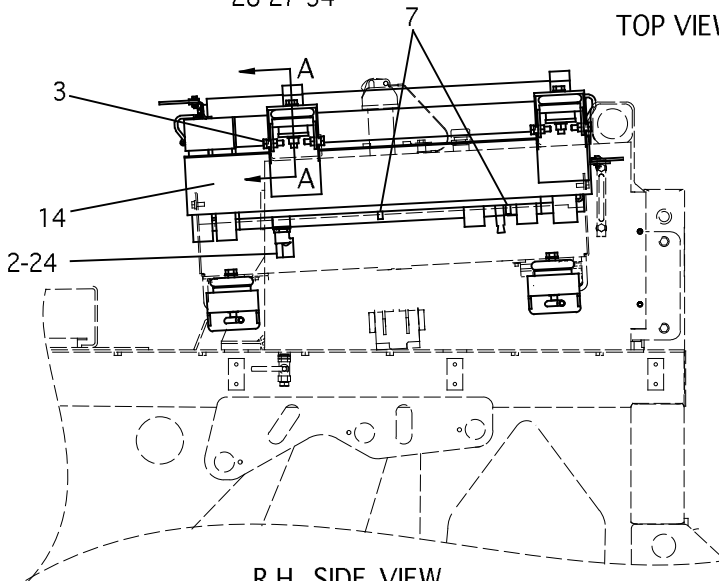
NOTES

A large, empty rectangular box with a black border, intended for handwritten notes.

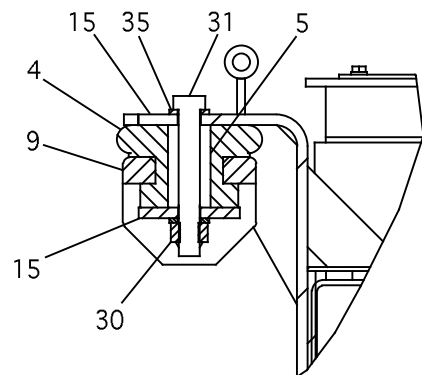
COOLING SYSTEM



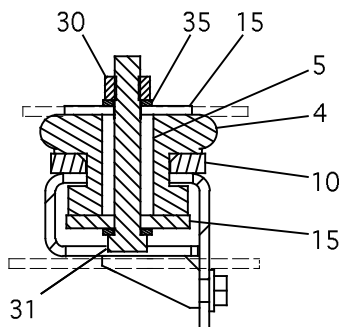
TOP VIEW



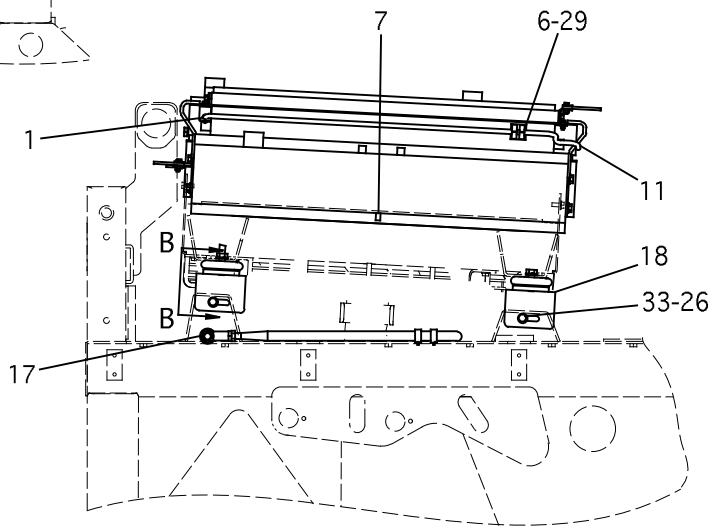
R.H. SIDE VIEW



SECTION A-A



SECTION B-B



L.H. SIDE VIEW

125578 RADIATOR GP-BASIC
Part of 1447163 Installation Ar

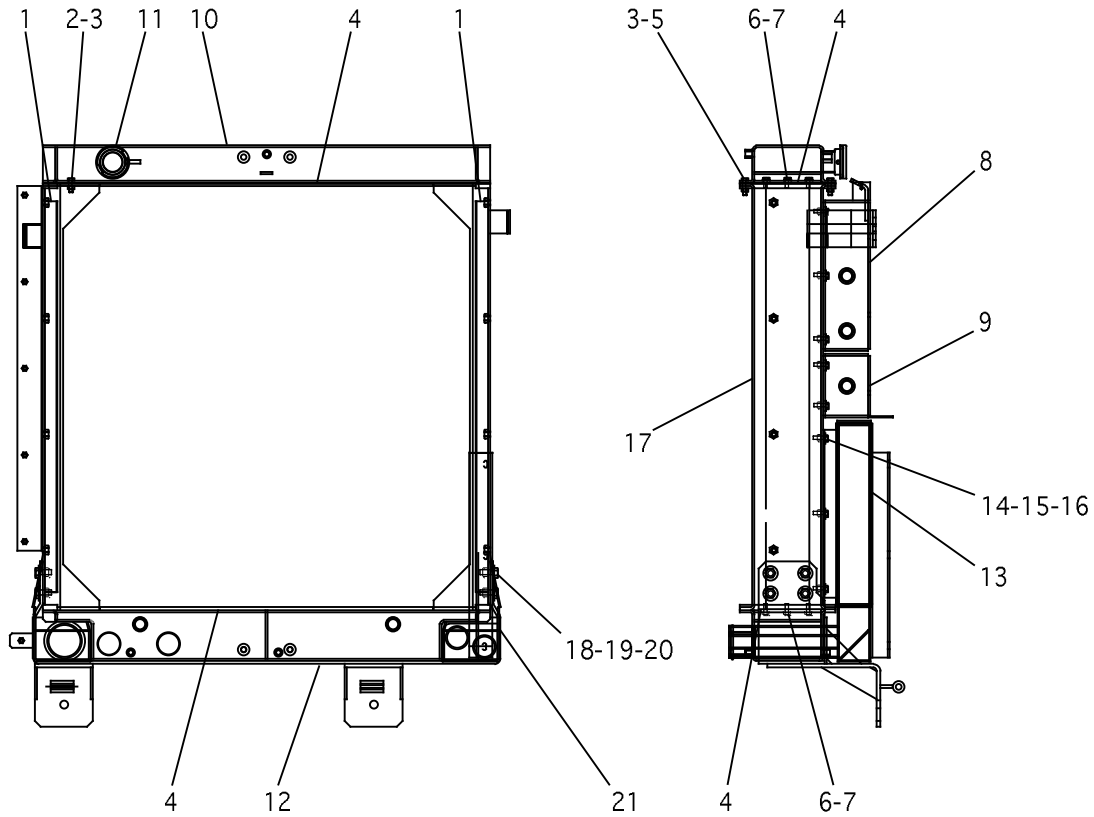
COOLING SYSTEM

NOTE	REF NO	PART NUMBER	QTY	PART NAME	NOTE	REF NO	PART NUMBER	QTY	PART NAME
		1 3B4618	1	COTTER-PIN					
		2 3D2824	1	SEAL-O-RING (ORB-OD 29.5)					
		3 4N5523	4	PIN					
		4 6Y9915	4	MOUNT AS					
		3E4913	1	RUBBER					
		5 9W9953	4	SLEEVE					
		6 537886	2	CLIP					
		7 0823098	3	VALVE-DRAIN					
		8 1108652	1	CONDENSER AS					
		9 1246068	2	MOUNT AS					
		1F0748	2	NUT-WELD					
		10 1246320	2	WASHER					
		11 1246534	1	ROD AS					
		12 1248544	1	RUBBER					
		13 1250099	1	PLATE					
Y		14 1255579	1	RADIATOR GP-COOLER					
		15 1302785	8	WASHER (1/2)					
		16 1327466	1	PLATE					
Y		17 1378082	2	SUPPORT GP					
		18 1450006	1	BRACKET AS					
		19 1459453	1	RUBBER					
		20 1459455	1	RUBBER					
		21 1459457	1	CHANNEL AS					
		22 1461829	1	PLATE					
		23 1461833	1	PLATE					
		24 1643015	1	VALVE-SWITCH					
		25 4L6454	8	BOLT-HEX (3/8)					
		26 5P1076	2	WASHER					
M		27 6V7357	16	BOLT (M6)					
M		28 6V8225	7	NUT-HEX (M6)					
		29 7X3319	2	SCREW-HEX SOCKET					
M		30 8T4132	4	NUT-FULL (M16)					
M		31 8T4173	4	BOLT-HEX (M16)					
		32 8T4896	8	WASHER-HARD (3/8)					
M		33 8T4956	2	BOLT-HEX (M12)					
		34 9X8256	22	WASHER					
M		35 9X8257	8	WASHER (M16)					
		36 5P4115	1	WASHER-HARD					

M - METRIC PART
Y - SEPARATE ILLUSTRATION

1255578 RADIATOR GP-BASIC
1255579-Page 90, 1378082-Page 253
Part of 1447163 Installation Ar

COOLING SYSTEM

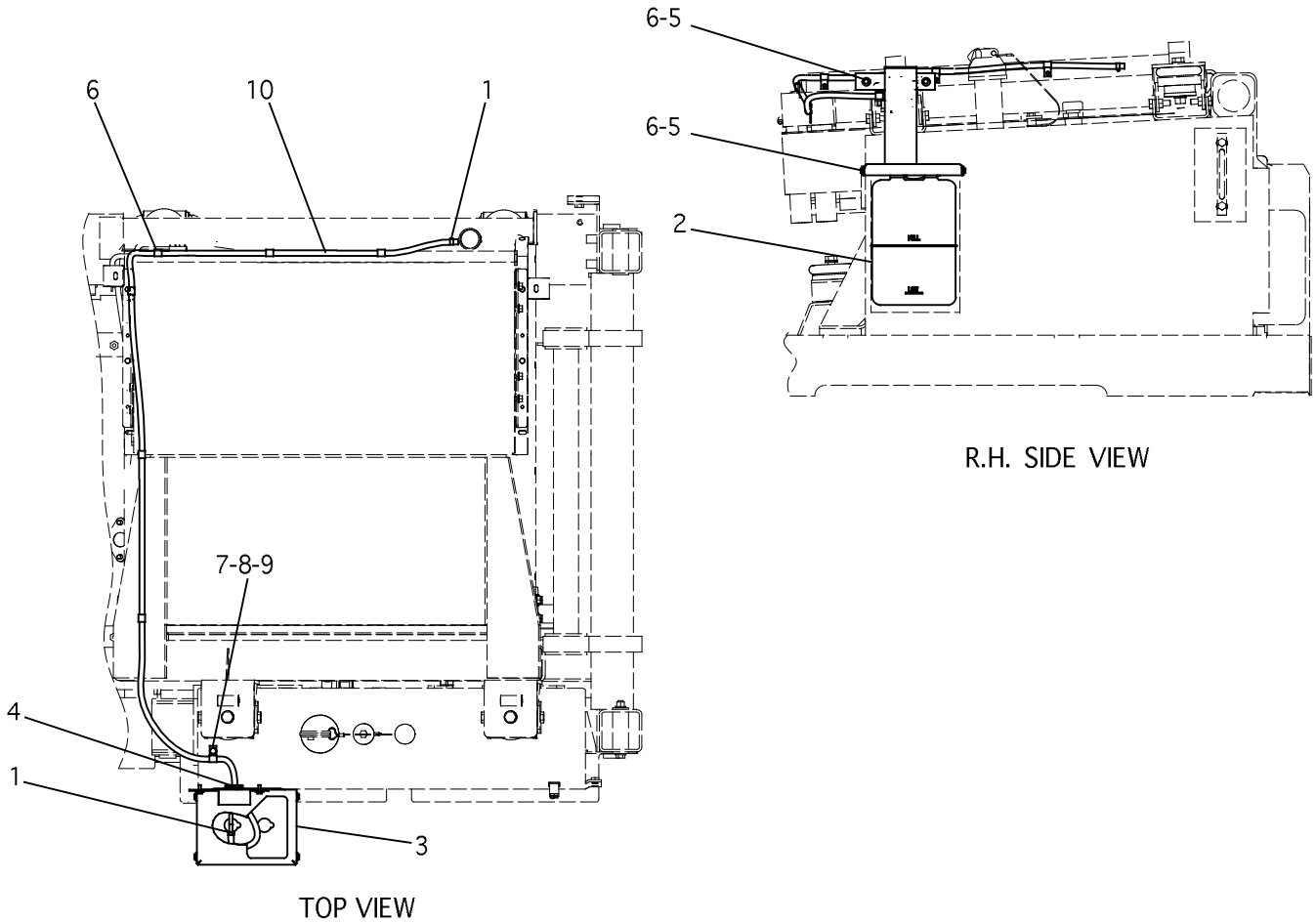


NOTE	REF NO	PART NUMBER	QTY	PART NAME	NOTE	REF NO	PART NUMBER	QTY	PART NAME
EH	1	1018375	180	DAMPENER-VIB		22	1483722	1	RADIATOR
H	2	4M6425	76	BOLT (5/16-18)					ITEMS MARKED H INCLUDED AS PART OF THE RADIATOR
H	3	2R0504	84	NUT-SELF LOCKING					
EH	4	1481351	480	GASKET-STRIP					
H	5	6V8918	8	BOLT (5/16-18)					
H	6	4M0061	12	BOLT (5/16-18)					
H	7	5S7384	12	LOCKWASHER					
	8	1305230	1	COOLER-XMSN					
	9	1305231	1	COOLER-HYD					
H	10	1483723	1	TANK-RAD TOP					
H	11	1482701	1	CAP-RADIATOR					
H	12	1483719	1	TANK-RAD BOTTOM					
	13	1483720	1	COOLER-AIR					
HM	14	8T4908	16	BOLT (M8)					
H	15	3B4505	16	LOCKWASHER (5/16)					
H	16	8T4224	16	WASHER-HARD					
H	17	1475214	1	CORE-RADIATOR					
HM	18	8T4139	8	BOLT (M12)					
H	19	3B4508	8	LOCKWASHER					
H	20	8T4223	8	WASHER-HARD					
H	21	1483721	1	MOUNT-RADIATOR					

E - ORDER BY THE CENTIMETER
M - METRIC PART

125579 RADIATOR GP-COOLER Part of 125578 Radiator Gp-Basic

COOLING SYSTEM



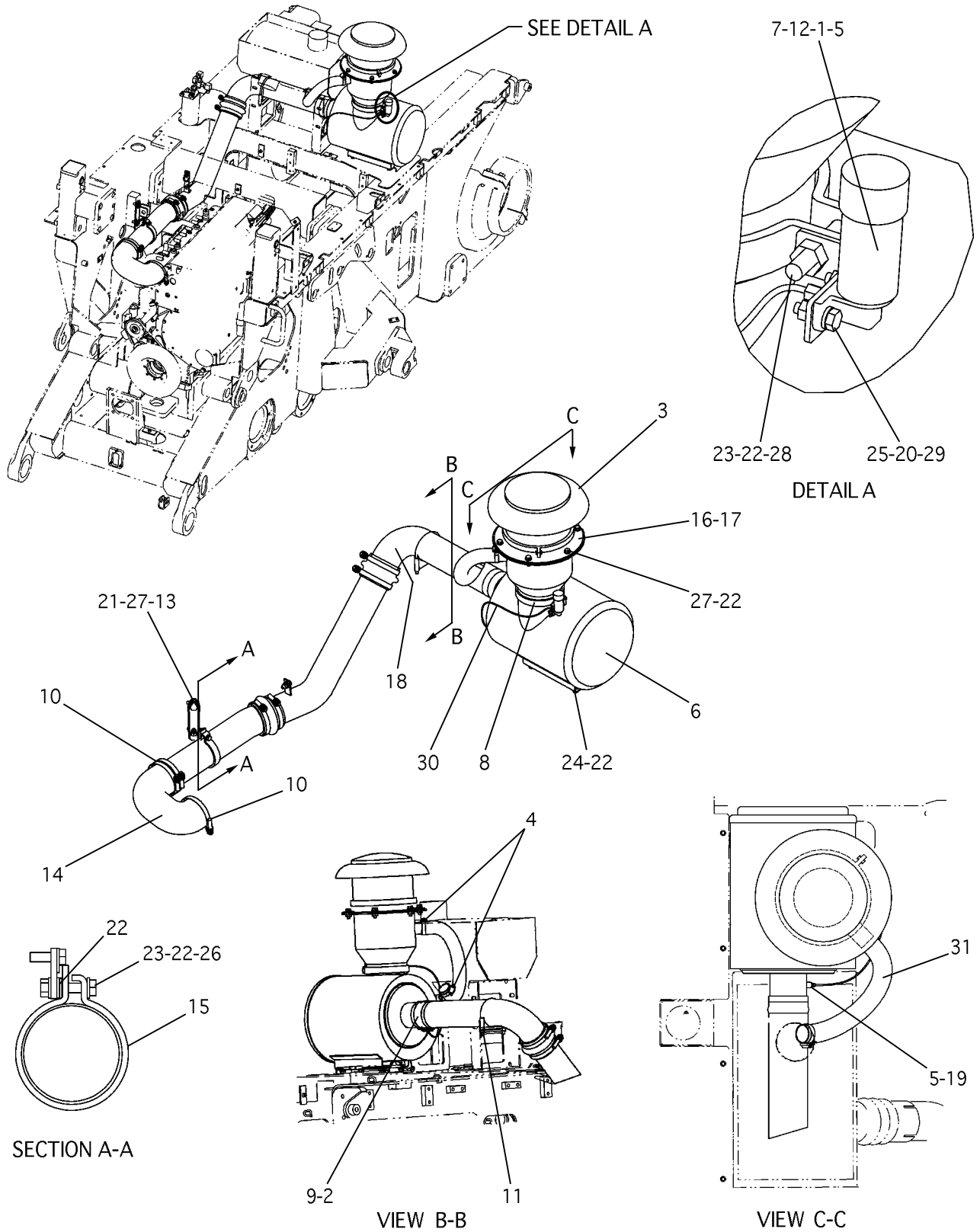
NOTE	REF NO	PART NUMBER	QTY	PART NAME	NOTE	REF NO	PART NUMBER	QTY	PART NAME
D	1	1P4278	2	CLAMP-HOSE					
	2	7Y1103	1	TANK AS-RESERVE					
		1713370	1	CAP AS (TEE FLOW)					
		1713371	1	CAP (COOLANT)					
	3	1450157	1	PLATE AS					
	4	3V4791	1	GROMMET					
	5	5C9553	6	BOLT					
	6	5P4115	9	WASHER-HARD					
	7	8M2770	7	CLIP					
	8	8T4121	1	WASHER-HARD					
9	8T4191	1	BOLT						
10	5P5991	3	HOSE						

D - ORDER BY THE METER

1455009 RECOVERY GP-ENGINE COOLANT

Part of 1447163 Installation Ar

AIR INLET AND EXHAUST SYSTEM



1450071 CLEANER GP-AIR
Part of 1447163 Installation Ar

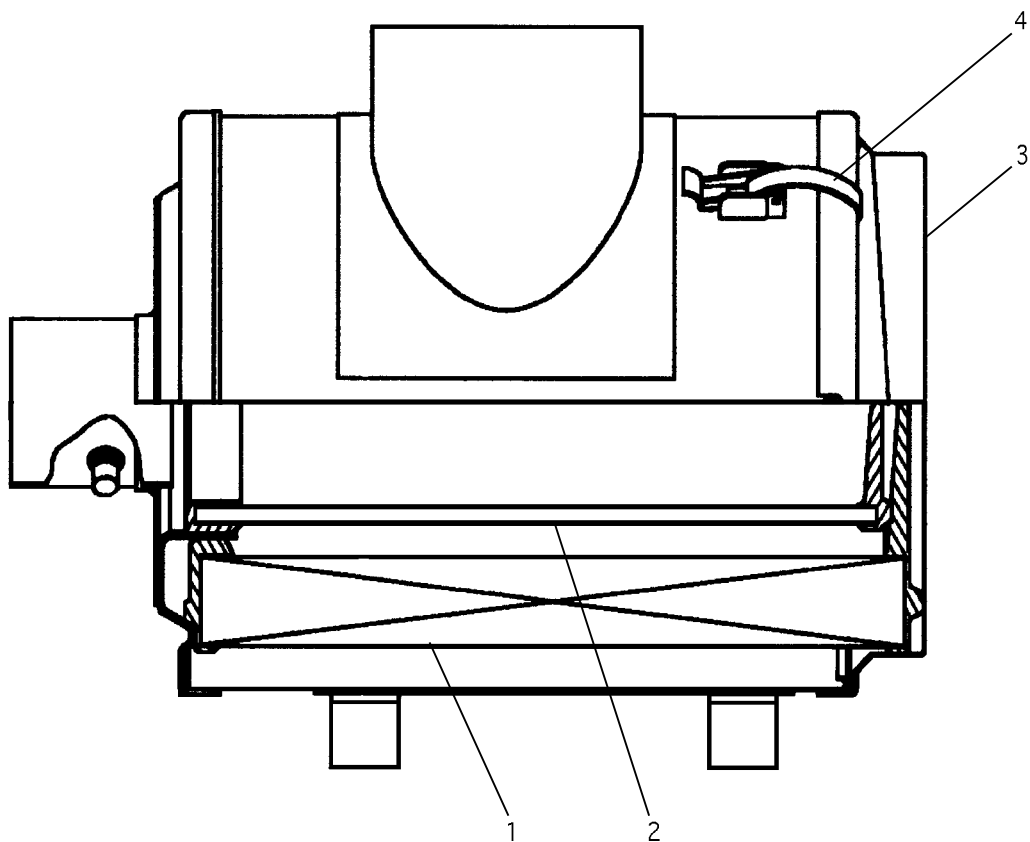
AIR INLET AND EXHAUST SYSTEM

NOTE	REF NO	PART NUMBER	QTY	PART NAME	NOTE	REF NO	PART NUMBER	QTY	PART NAME
	1	1P6886	1	ADAPTER					
	2	2P1221	1	HOSE					
	3	4S7455	1	PRECLEANER AS					
		4S8472	1	HOOD AS					
		0S1591	1	BOLT					
		1D4717	1	NUT-HEX (FULL)					
		4S8473	1	BODY AS					
	4	5P0597	2	CLAMP-HOSE					
	5	5P2948	2	CONNECTOR (M-NPTF,TUBE)					
		4K9821	1	SLEEVE					
		4K9822	1	NUT					
Y	6	6I2700	1	CLEANER GP-AIR					
	7	6I2933	1	INDICATOR-SERVICE					
	8	7S7680	1	CLAMP					
	9	8T4985	2	CLAMP-HOSE					
	10	8T4986	3	CLAMP-HOSE					
	11	0619793	1	CLAMP-TUBING					
	12	1248538	1	BRACKET					
	13	1293013	1	PLATE					
	14	1294000	1	HOSE					
	15	1343203	1	CLAMP-MUFFLER					
	16	1503120	1	PLATE AS					
		8T3490	6	NUT-WELD					
	17	1503121	1	SEAL					
Y	18	1659001	1	LINES GP-AIR					
	19	3B6487	1	COUPLING (F,F-NPTF)					
M	20	5C2890	2	NUT-FULL (M6)					
	21	7X0578	2	WASHER-HARD					
	22	8T4121	16	WASHER-HARD					
M	23	8T4133	2	NUT-FULL (M10)					
M	24	8T4136	4	BOLT-HEX (M10)					
M	25	8T4138	2	BOLT-HEX (M6)					
M	26	8T4185	1	BOLT-HEX (M10)					
M	27	8T4195	8	BOLT-HEX (M10)					
M	28	8T6466	1	BOLT-HEX (M10)					
	29	9X8256	4	WASHER					
E	30	5P0580	70	TUBE-BULK					
E	31	5P2817	76	HOSE-BULK					

E - ORDER BY THE CENTIMETER
M - METRIC PART
Y - SEPARATE ILLUSTRATION

1450071 CLEANER GP-AIR
6I2700-Page 94, 1659001-Page 97
Part of 1447163 Installation Ar

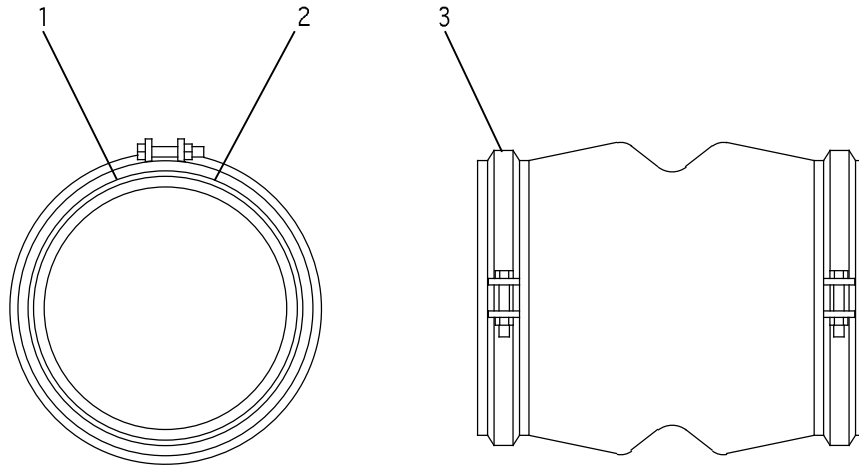
AIR INLET AND EXHAUST SYSTEM



NOTE	REF NO	PART NUMBER	QTY	PART NAME	NOTE	REF NO	PART NUMBER	QTY	PART NAME
	1	6I2503	1	ELEMENT AS-PRIMARY					
	2	6I2504	1	ELEMENT AS-SECONDARY					
	3	6I4464	1	COVER AS-AIR CLEANER					
		4P5524	1	SEAL-O-RING (OD 327)					
		1012850	1	FILM-AIR CLEANER					
	4	8N4617	2	CLAMP KIT-AIR CLEANER					
		9B2596	1	RIVET					
		1N4403	1	CLIP AS					

6I2700 CLEANER GP-AIR
Part of 1450071 Cleaner Gp-Air

AIR INLET AND EXHAUST SYSTEM

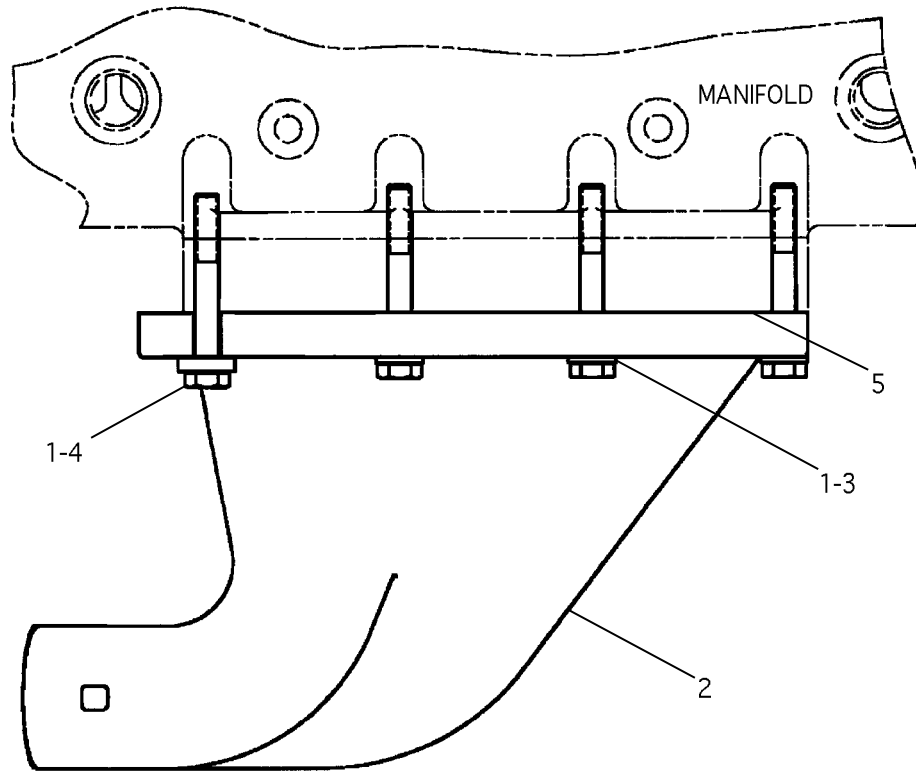


NOTE	REF NO	PART NUMBER	QTY	PART NAME	NOTE	REF NO	PART NUMBER	QTY	PART NAME
	1	1459079	2	GASKET					
	2	1459080	2	RETAINER					
	3	1459081	2	CLAMP					

1243608 CONNECTION GP-MUFFLER

Part of 1361145 Muffler Gp

AIR INLET AND EXHAUST SYSTEM



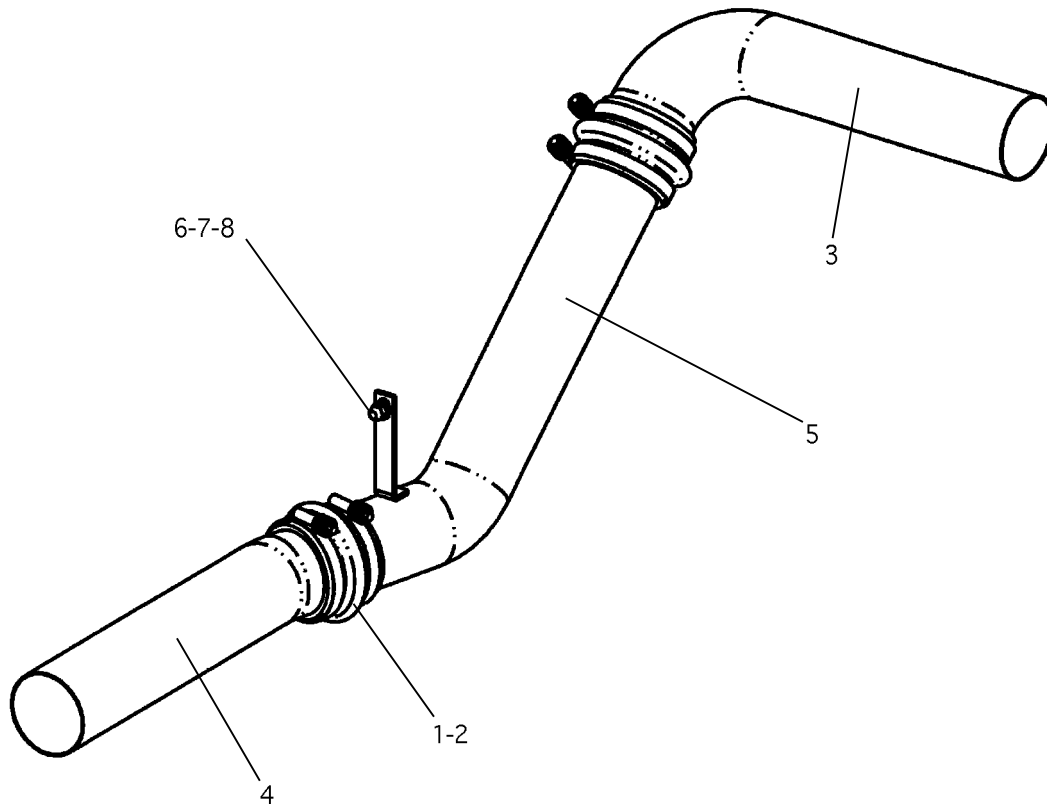
TOP VIEW

NOTE	REF NO	PART NUMBER	QTY	PART NAME	NOTE	REF NO	PART NUMBER	QTY	PART NAME
M	1	8T0100	8	BOLT (M8 X 60 MM LG)					
	2	1469641	1	ELBOW-AIR INLET					
	3	9M1974	5	WASHER-HARD					
	4	7S6369	3	WASHER					
B	5	1U8846	1	GASKET MAKER					

B - USE AS REQUIRED
M - METRIC PART

1480768 ELBOW GP-AIR INLET
Part of 1287367 Engine Ar-Basic

AIR INLET AND EXHAUST SYSTEM

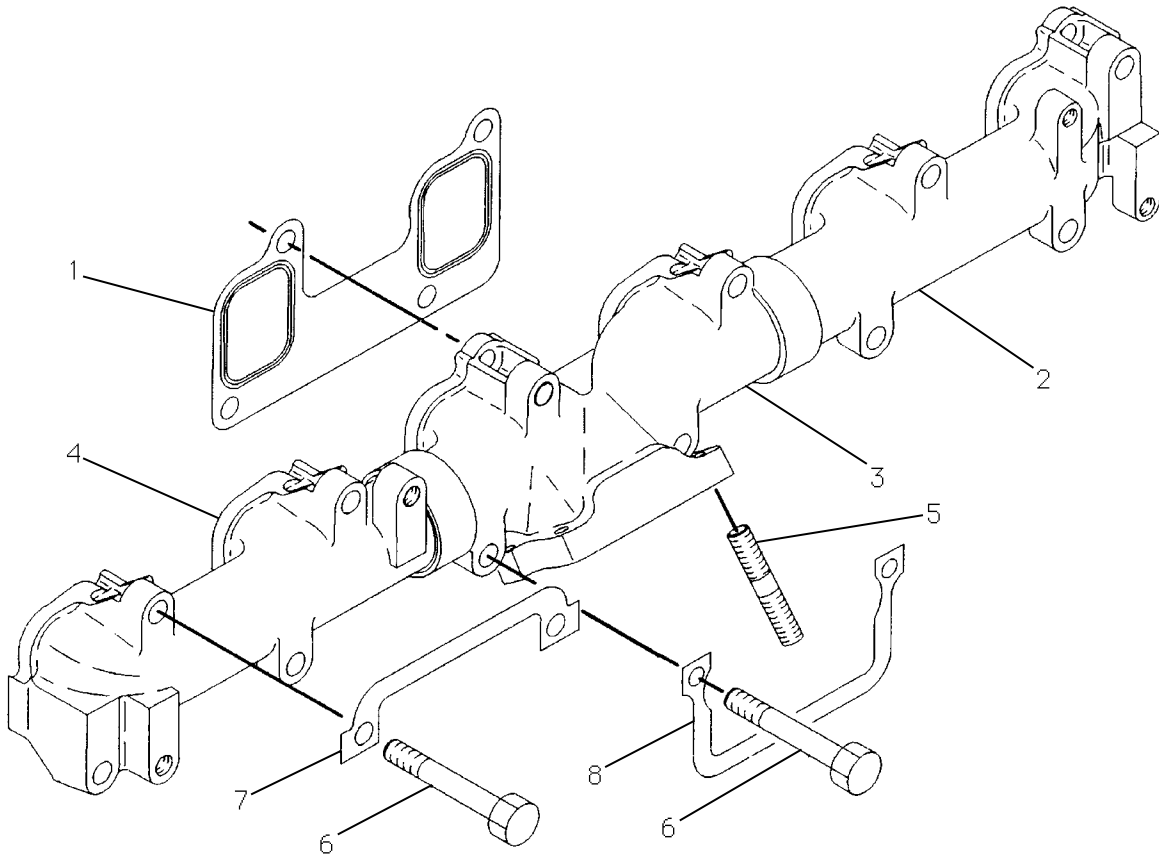


NOTE	REF NO	PART NUMBER	QTY	PART NAME	NOTE	REF NO	PART NUMBER	QTY	PART NAME
	1	1713946	2	HOSE-HUMP					
	2	8T4986	4	CLAMP-HOSE					
	3	1642317	1	TUBE					
	4	1653565	1	TUBE					
	5	1657198	1	TUBE AS					
	6	7X0578	2	WASHER-HARD					
M	7	8T4133	1	NUT-FULL (M10)					
M	8	8T4195	1	BOLT-HEX HEAD (M10)					

M - METRIC PART

1659001 LINES GP-AIR
 Part of 1450071 Cleaner Gp-Air

AIR INLET AND EXHAUST SYSTEM

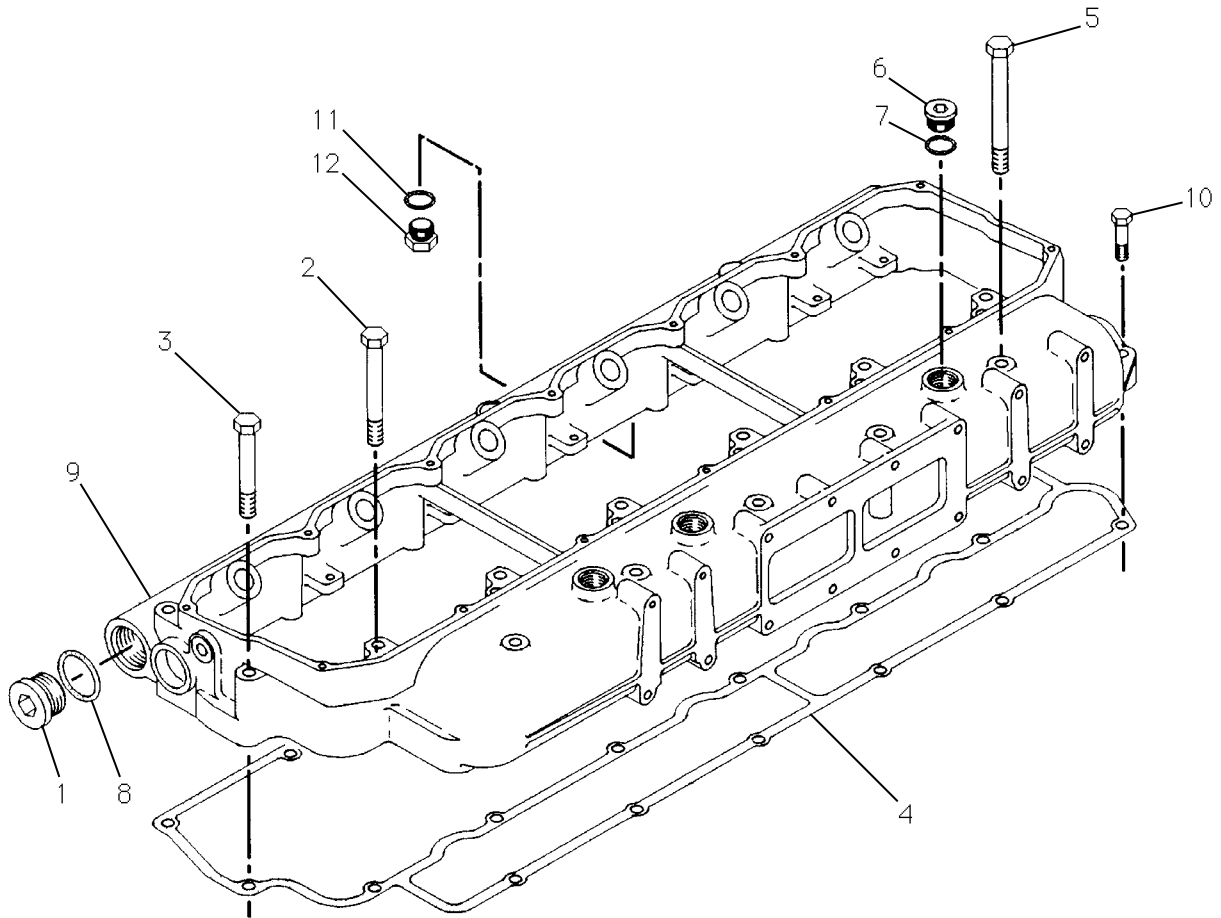


NOTE	REF NO	PART NUMBER	QTY	PART NAME	NOTE	REF NO	PART NUMBER	QTY	PART NAME
	1	1136200	1	GASKET					
	2	1154144	1	MANIFOLD-EXHAUST					
	3	6I1099	1	MANIFOLD-EXHAUST					
	4	6I0915	1	MANIFOLD-EXHAUST					
M	5	8T7044	4	STUD-TAPERLOCK (M10)					
M	6	1416348	12	BOLT-HEX HEAD (M10)					
	7	1560235	5	LOCK					
	8	6I3033	1	LOCK					

M - METRIC PART

6I2298 MANIFOLD GP-EXHAUST
Part of 1287367 Engine Ar-Basic

AIR INLET AND EXHAUST SYSTEM

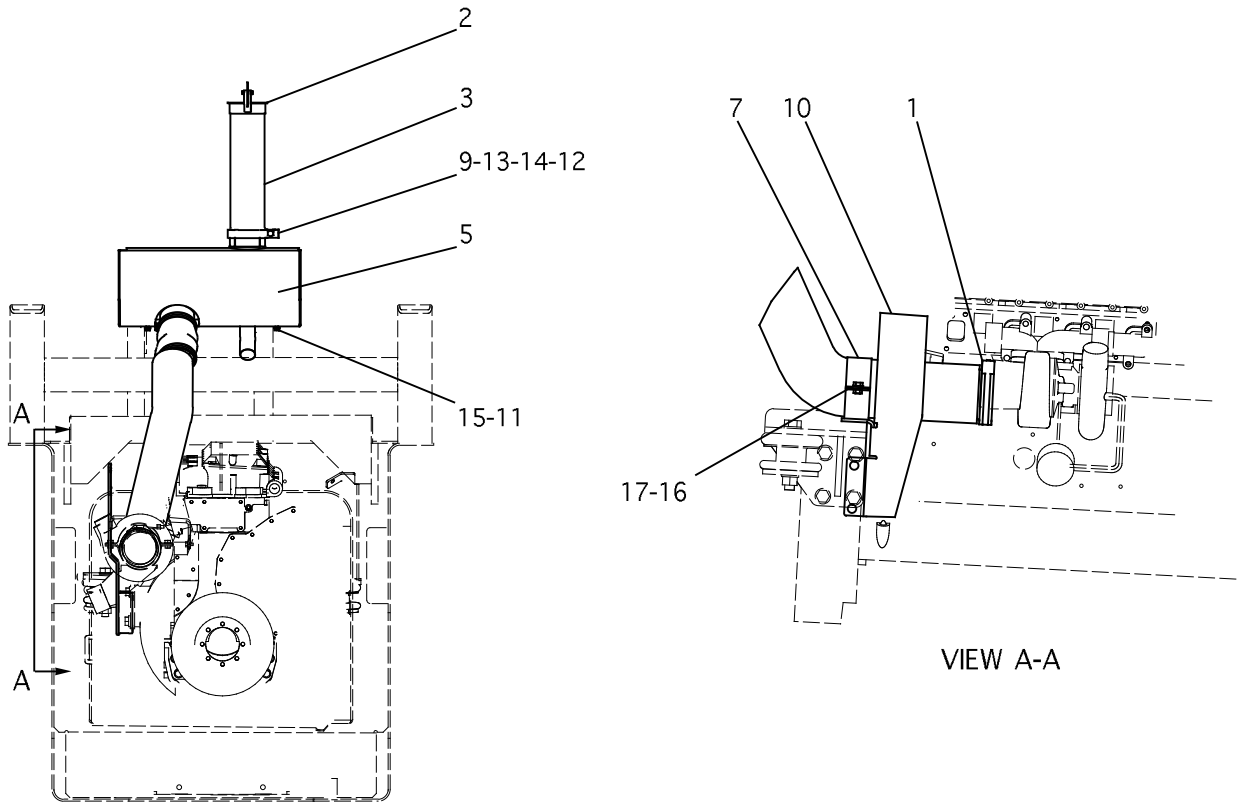


NOTE	REF NO	PART NUMBER	QTY	PART NAME	NOTE	REF NO	PART NUMBER	QTY	PART NAME
	1	9S9334	2	PLUG					
M	2	8T0292	6	BOLT (M8)					
M	3	6V5221	8	BOLT (M8)					
	4	1136250	1	GASKET					
M	5	6V5223	2	BOLT (M8)					
	6	9S8005	2	PLUG-O-RING					
	7	3K0360	2	SEAL-O-RING (ORB-OD 20.8)					
	8	9X7712	2	SEAL-O-RING (OD 35.6)					
	9	1443468	1	MANIFOLD-INLET					
M	10	6V5219	1	BOLT (M8)					
	11	0336042	1	SEAL-O-RING (ORB-OD 15.9)					
	12	1248332	1	PLUG					

M - METRIC PART

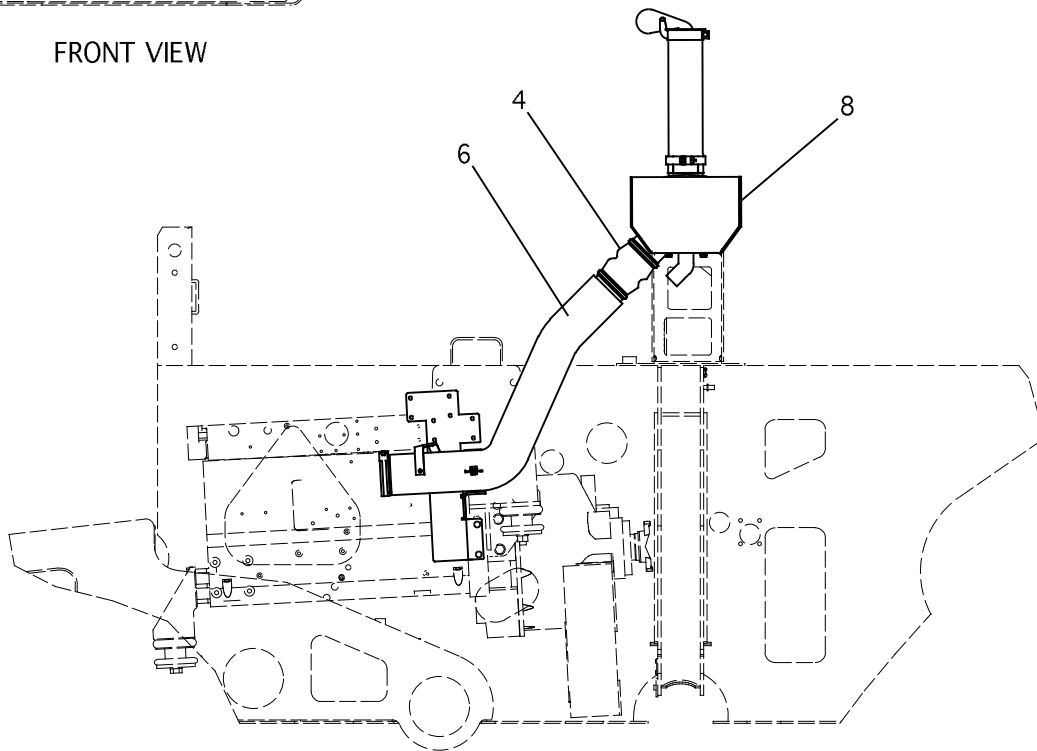
1171678 MANIFOLD GP-INLET
Part of 1420725 Engine Ar-Core

AIR INLET AND EXHAUST SYSTEM



FRONT VIEW

VIEW A-A



L.H. SIDE VIEW

1361145 MUFFLER GP
Part of 1447163 Installation Ar

AIR INLET AND EXHAUST SYSTEM

NOTE	REF NO	PART NUMBER	QTY	PART NAME	NOTE	REF NO	PART NUMBER	QTY	PART NAME
	1	1W2431	1	CLAMP-VEE-BAND					
		8T0193	1	NUT-FULL					
	2	7S4994	1	CAP AS-RAIN					
	3	1616886	1	PIPE-EXHAUST					
Y	4	1243608	1	CONNECTION GP					
	5	1243629	1	MUFFLER					
	6	1753192	1	PIPE-EXHAUST & INSULATION					
	7	1282310	1	BRACKET					
	8	1306433	1	GUARD					
	9	1343203	1	CLAMP-MUFFLER					
	10	1361127	1	CLAMP AS					
	11	7X0579	4	WASHER-HARD					
	12	8T4121	2	WASHER					
M	13	8T4133	1	NUT-FULL (M10)					
	14	8T4185	1	BOLT-HEX HEAD					
M	15	8T4189	4	BOLT-HEX (M8)					
M	16	8T4200	2	BOLT-HEX (M8)					
M	17	8T4224	2	WASHER (M8)					

M - METRIC PART
 Y - SEPARATE ILLUSTRATION

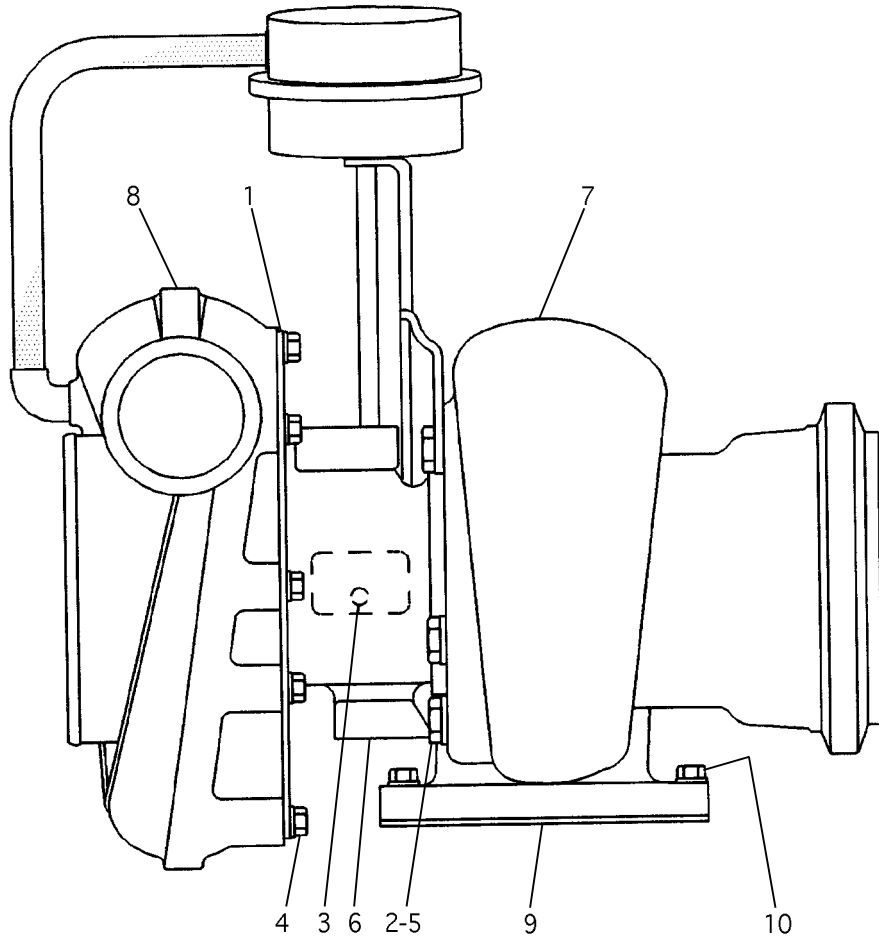
1361145 MUFFLER GP
 1243608-Page 95
 Part of 1447163 Installation Ar

AIR INLET AND EXHAUST SYSTEM

1	7C7431	GASKET-TURBO	103
4	3E8017	LOCKNUT	103
1	1333221	TURBO GP-BASIC	103

1334969 TURBO GP
 Part of 1420725 Engine Ar-Core

AIR INLET AND EXHAUST SYSTEM

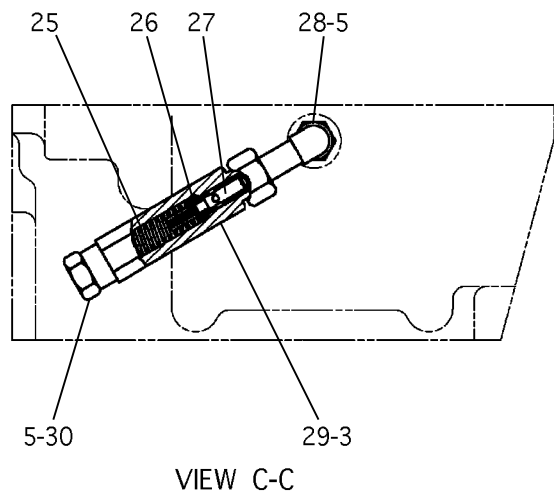
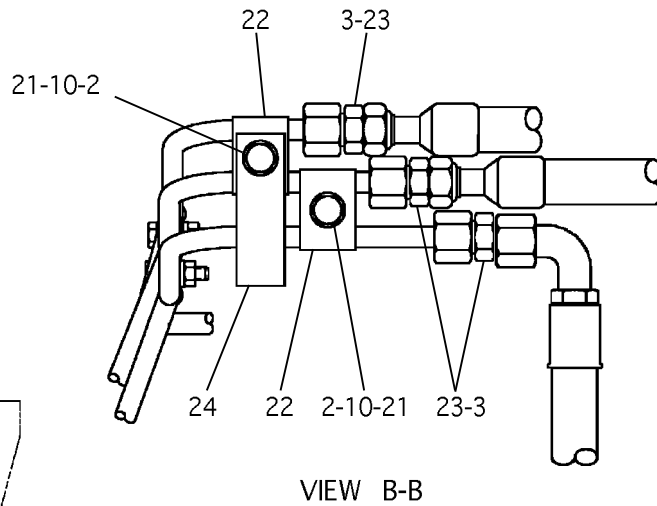
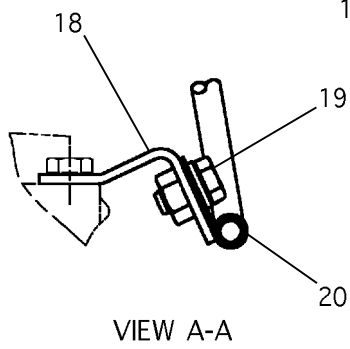
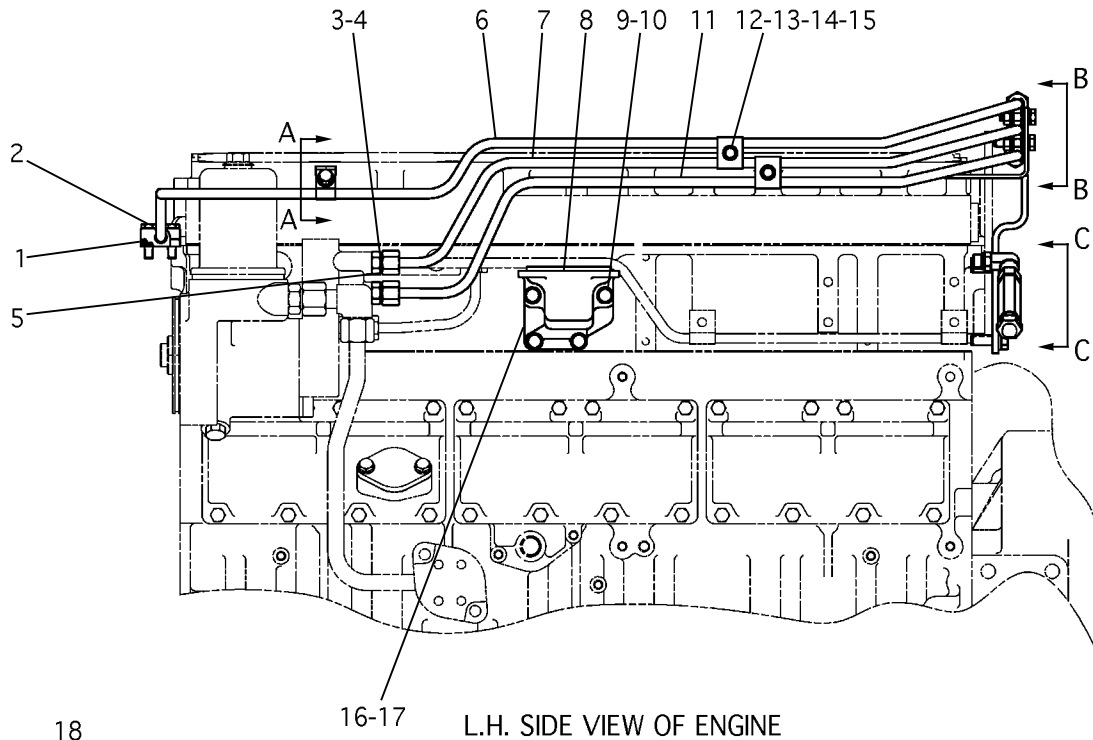


NOTE	REF NO	PART NUMBER	QTY	PART NAME	NOTE	REF NO	PART NUMBER	QTY	PART NAME
	1	1219799	3	PLATE-CLAMP					
	2	7C6672	2	PLATE-CLAMP					
	3	8H3710	1	SCREW-TAPPING					
M	4	1255466	6	BOLT ASSEMBLY					
M	5	7C6670	4	BOLT					
R	6	1281647	1	CARTRIDGE GP					
	7	1212569	1	HOUSING AS-TURBO					
	8	1281648	1	COVER AS-COMPR					
A	9	7C7431	1	GASKET-TURBO					
A	10	3E8017	4	LOCKNUT					

A - NOT PART OF THIS GROUP
M - METRIC PART
R - REMFG PART MAY BE AVAILABLE

1333221 TURBO GP-BASIC
Part of 1334969 Turbo Gp

FUEL SYSTEM



REFER OF ALL ILLUSTRATIONS OF THIS GROUP

1260458 FILTER GP-FUEL PART 1 OF 2
 Part of 1287367 Engine Ar-Basic

FUEL SYSTEM

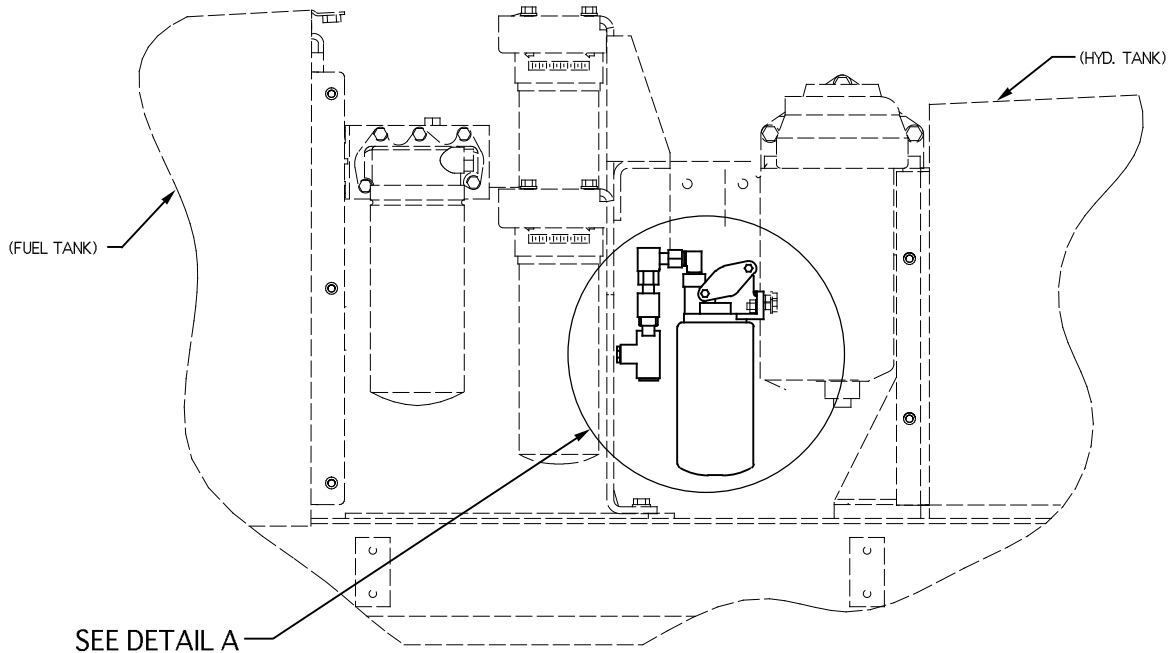
NOTE	REF NO	PART NUMBER	QTY	PART NAME	NOTE	REF NO	PART NUMBER	QTY	PART NAME
	1	5F7054	1	SEAL-O-RING (OD 25.7)					
M	2	6V2317	4	BOLT (M8 X 30 MM LG))					
	3	6V8397	9	SEAL-O-RING (ORFS-OD 13.8)					
	4	6V8636	2	CONNECTOR (M-ORFS,M-STOR)					
	5	3J1907	4	SEAL-O-RING (ORB-OD 15.9)					
	6	1365991	1	TUBE AS					
	7	1373504	1	TUBE AS					
		6V8553	2	NUT-ORFS					
		6V8560	2	SLEEVE-ORFS					
	8	4P9936	1	BASE					
M	9	5P8347	4	BOLT (M8)					
	10	9M1974	9	WASHER-HARD					
	11	1387487	1	TUBE AS					
		6V8553	2	NUT-ORFS					
		6V8560	2	SLEEVE-ORFS					
M	12	6V8490	2	BOLT (M8)					
	13	9X8267	4	WASHER					
M	14	6V8225	2	NUT-HEX (M8)					
	15	2M7943	4	CLIP					
	16	7C1159	2	GASKET					
	17	1013249	1	SPACER-FILTER					
	18	1249712	1	BRACKET AS					
		8T3612	1	NUT-WELD					
M	19	1107618	1	BOLT AS-SEMS (M8)					
	20	1196764	1	CLIP-LOOP					
M	21	5P7970	2	NUT (M8)					
	22	6R6930	4	CLAMP					
	23	6V8730	3	UNION (M,M-ORFS)					
	24	6N6011	1	BRACKET					
	25	3N3252	1	SPRING					
	26	5P7813	1	SEAL-O-RING (ORB-OD 10.9)					
	27	7E5189	1	VALVE-REGULATING					
	28	8T0788	1	ELBOW 90° (M-STOR,F-ORFS)					
	29	1243545	1	HOUSING-VALVE					
	30	5P3501	1	ADAPTER (M-STOR,F-NPTF 28 MM)					

M - METRIC PART

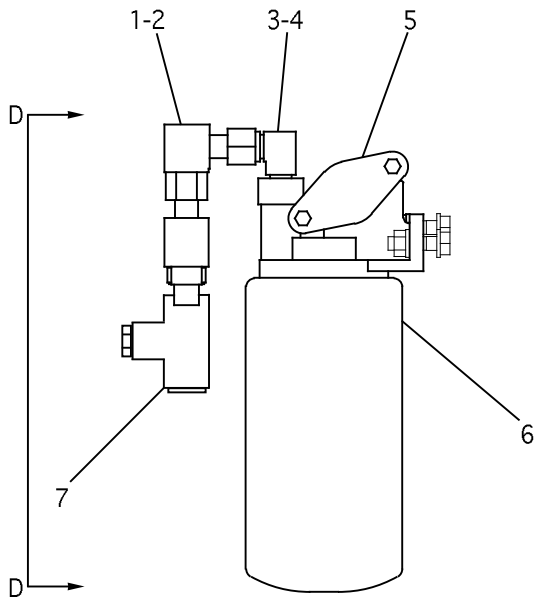
1260458 FILTER GP-FUEL PART 1 OF 2

Part of 1287367 Engine Ar-Basic

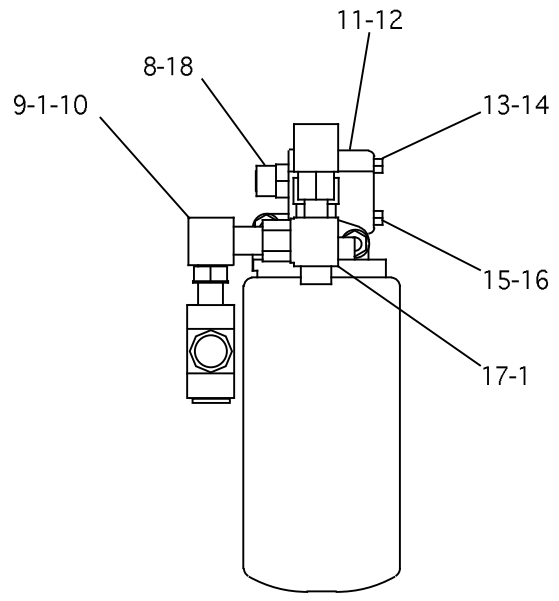
FUEL SYSTEM



RIGHT SIDE VIEW



DETAIL A



VIEW D-D

REFER TO ALL ILLUSTRATIONS OF THIS GROUP

1260458 FILTER GP-FUEL PART 2 OF 2
Part of 1287367 Engine Ar-Basic

FUEL SYSTEM

NOTE	REF NO	PART NUMBER	QTY	PART NAME	NOTE	REF NO	PART NUMBER	QTY	PART NAME
	1	6V8397	3	SEAL-O-RING (ORFS-OD 13.8)					
	2	6V9850	1	ELBOW 90° (M,F-ORFS)					
	3	4J5477	1	SEAL-O-RING (ORFS-OD 12.2)					
	4	2T2305	1	ELBOW 90° (M-ORFS,F-NPTF)					
	5	1126521	1	BASE AS-FUEL FILTER					
		1126523	1	INSERT-FUEL FILTER					
	6	1R0751	1	FILTER AS-FUEL					
Y	7	1418288	1	VALVE GP-RELIEF					
	8	8T5043	1	CONNECTOR (M-ORFS,M-STOR)					
	9	3J1907	1	SEAL-O-RING (ORB-OD 15.9)					
	10	8T0788	1	ELBOW 90° (M-STOR,F-ORFS)					
	11	6N4414	1	COVER-FILTER BASE					
	12	1P0436	1	GASKET-PR PUMP					
	13	7B2742	1	BOLT (1/4)					
	14	5P0537	1	WASHER-HARD					
	15	1B2790	1	BOLT (5/16)					
	16	9M1974	1	WASHER-HARD					
	17	6V9836	1	TEE (M-ORFS,M-STOR,M-ORFS)					
	18	1J9671	1	SEAL-O-RING (ORB-OD 14.1)					
K	-	1549788	1	HOSE AS					
K	-	8T8902	1	TEE (M,F-ORFS,F-STOR)					
K	-	7K1181	1	STRAP-CABLE					
K	-	1549786	1	HOSE AS					
K	-	8T2335	1	ELBOW-45 DEGREE					
K	-	9S4191	1	PLUG-STOP					

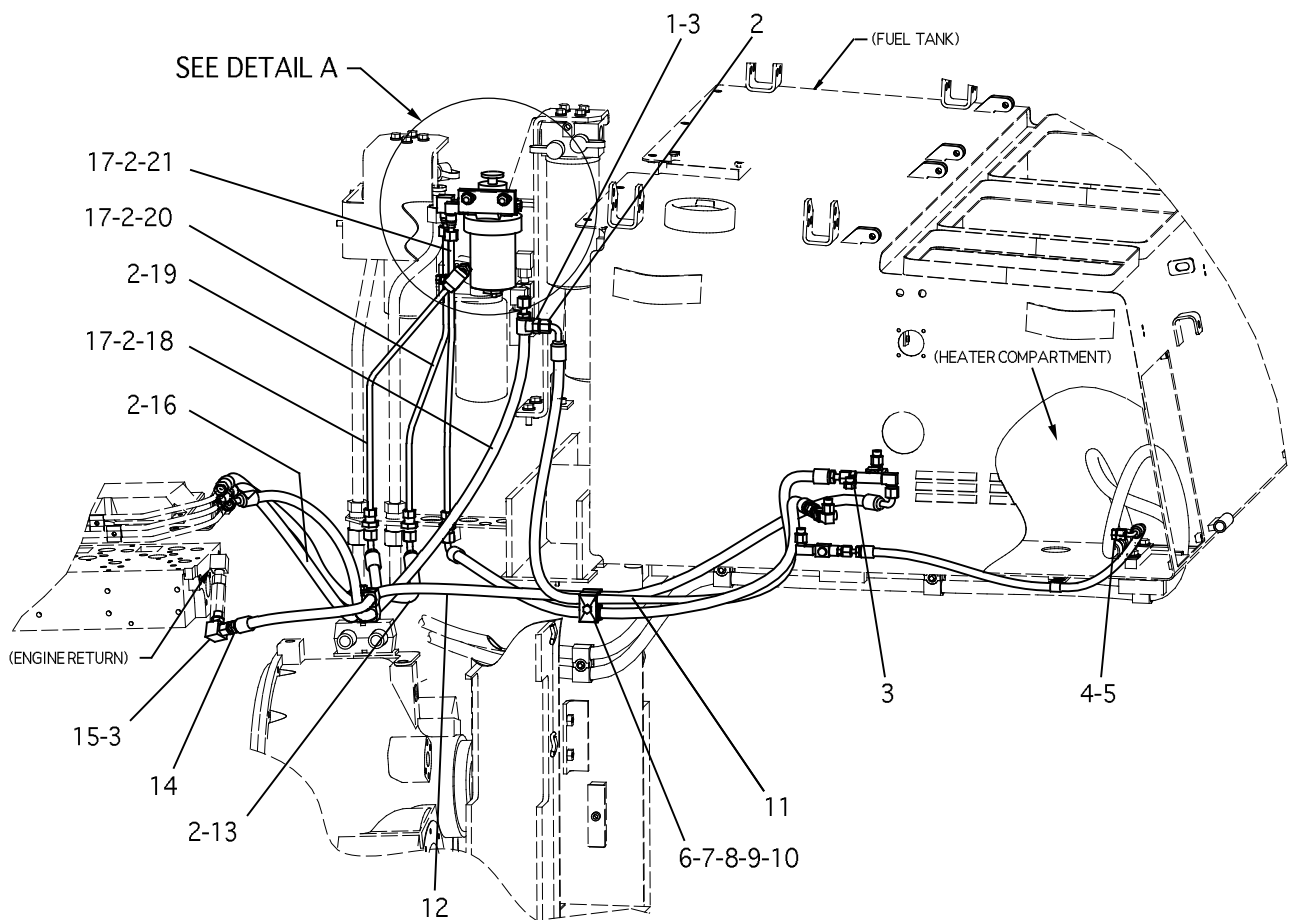
K - ITEMS NOT USED
 Y - SEPARATE ILLUSTRATION

1260458 FILTER GP-FUEL PART 2 OF 2

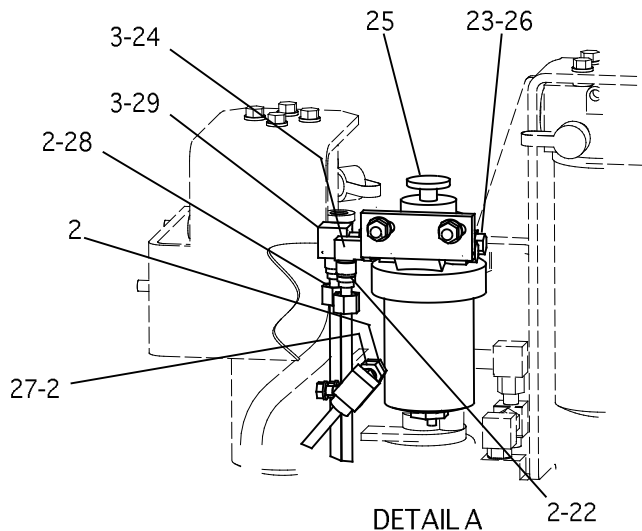
1418288-Page 128

Part of 1287367 Engine Ar-Basic

FUEL SYSTEM



LEFT HAND SIDE VIEW



REFER TO ALL ILLUSTRATIONS OF THIS GROUP

DETAIL A

1247062 LINES GP-FUEL PART 1 OF 2

S/N 7RR00003 thru 40

Part of 1447164 Chassis Ar

FUEL SYSTEM

NOTE	REF NO	PART NUMBER	QTY	PART NAME	NOTE	REF NO	PART NUMBER	QTY	PART NAME
	1	6V8636	1	CONNECTOR (M-ORFS,M-STOR)					
	2	6V8397	14	SEAL-O-RING (ORFS-OD 13.8)					
	3	3J1907	2	SEAL-O-RING (ORB-OD 15.9)					
	4	6V9507	1	PLUG-FACE SEAL					
	5	4J5477	1	SEAL-O-RING (ORFS-OD 12.2)					
	6	7R8439	4	CLAMP					
	7	7R7964	2	PLATE-SAFETY					
	8	8C6561	1	BOLT (5/16)					
	9	6W0210	1	BOLT (5/16-18)					
	10	3V0046	1	PLATE					
	11	1549789	1	HOSE AS					
		1242114	1	COUPLING-HOSE (ORFS)					
		1242144	1	COUPLING-HOSE 90° (ORFS)					
	12	1590721	1	HOSE AS					
		1242114	1	COUPLING-HOSE (ORFS)					
		1242144	1	COUPLING-HOSE 90° (ORFS)					
	13	1549787	1	HOSE AS					
		1242114	1	COUPLING-HOSE (ORFS)					
		1242130	1	COUPLING-HOSE 45° (ORFS)					
	14	6V8397	1	SEAL-O-RING (ORFS-OD 13.8)					
	15	2T2305	1	ELBOW 90° (M-ORFS,F-NPTF)					
	16	1549786	1	HOSE AS					
		1242114	1	COUPLING-HOSE (ORFS)					
		1242130	1	COUPLING-HOSE 45° (ORFS)					
	17	6V9168	3	NUT-BULKHEAD					
	18	1493218	1	TUBE AS					
	19	1549788	1	HOSE AS					
		1242114	1	COUPLING-HOSE (ORFS)					
		1242130	1	COUPLING-HOSE 45° (ORFS)					
	20	1493220	1	TUBE AS					
		6V8553	1	NUT-ORFS					
		6V8560	1	SLEEVE-ORFS					
	21	1493219	1	TUBE AS					
		6V8553	1	NUT-ORFS					
		6V8560	1	SLEEVE-ORFS					
	22	5P4675	1	ADAPTER-O-RING					
	23	1J9671	4	SEAL-O-RING (ORB-OD 14.1)					
	24	2T2305	1	ELBOW 90° (M-ORFS,F-NPTF)					
Y	25	1304553	1	SEPARATOR GP-WATER					
	26	3K8460	2	PLUG					
	27	1461832	1	TUBE AS					
		6V8553	2	NUT-ORFS					
		6V8560	2	SLEEVE-ORFS					
	28	8T5043	1	CONNECTOR (M-ORFS,M-STOR)					
	29	6V9850	1	ELBOW 90° (M,F-ORFS)					

Y - SEPARATE ILLUSTRATION

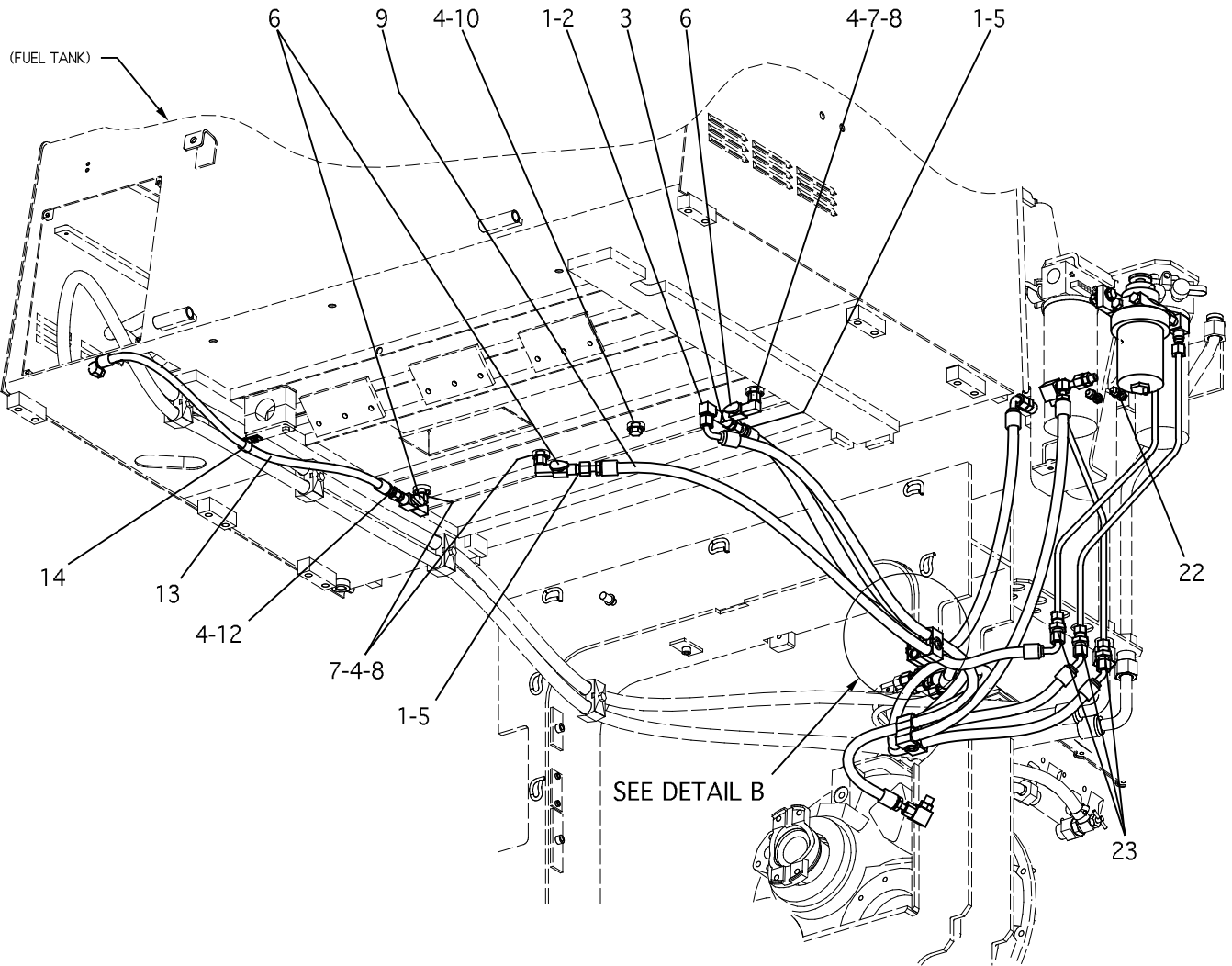
1247062 LINES GP-FUEL PART 1 OF 2

S/N 7RR00003 thru 40

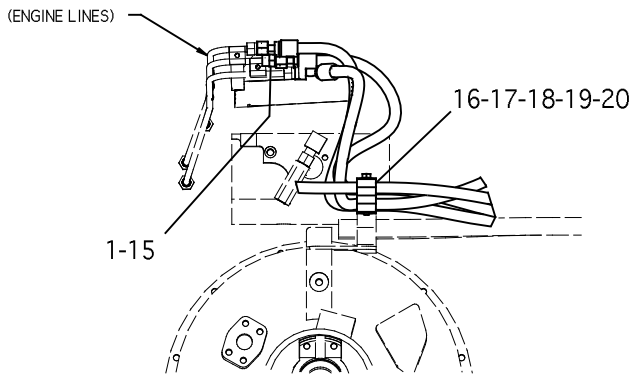
1304553-Page 123

Part of 1447164 Chassis Ar

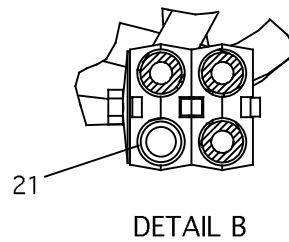
FUEL SYSTEM



VIEW FROM RIGHT REAR CORNER



REAR VIEW OF TORQUE CONVERTER HOUSING



DETAIL B

REFER TO ALL ILLUSTRATIONS OF THIS GROUP

1247062 LINES GP-FUEL PART 2 OF 2

S/N 7RR00003 thru 40

Part of 1447164 Chassis Ar

FUEL SYSTEM

NOTE	REF NO	PART NUMBER	QTY	PART NAME	NOTE	REF NO	PART NUMBER	QTY	PART NAME
	1	6V8397	5	SEAL-O-RING (ORFS-OD 13.8)					
	2	2T2305	1	ELBOW 90° (M-ORFS,F-NPTF)					
	3	45933	1	TEE-PIPE (F,F,M-NPTF)					
	4	3J1907	4	SEAL-O-RING (ORB-OD 15.9)					
	5	8C6868	2	CONNECTOR (M-ORFS,M-NPTF)					
	6	7X7655	3	VALVE-DRAIN					
	7	7J8611	3	ELBOW 90° (M,F-NPTF)					
	8	5P3501	3	ADAPTER (M-STOR,F-NPTF 28 MM)					
	9	1490525	1	HOSE AS					
		1242114	1	COUPLING-HOSE (ORFS)					
		1242144	1	COUPLING-HOSE 90° (ORFS)					
	10	9S4191	1	PLUG-STOP					
	11	8C6866	1	CONNECTOR (M-ORFS,M-NPTF)					
	12	4J5477	1	SEAL-O-RING (ORFS-OD 12.2)					
	13	1389936	1	HOSE AS					
		1242111	1	COUPLING 9/16-18 (ORFS)					
		1242140	1	COUPLING-HOSE 90° (ORFS)					
	14	4K8864	1	CLIP					
	15	6V8730	1	UNION (M,M-ORFS)					
	16	3V0046	1	PLATE					
	17	8C6561	1	BOLT (5/16)					
	18	7R7964	4	PLATE-SAFETY					
	19	6W0210	1	BOLT (5/16-18)					
	20	7R8439	4	CLAMP					
	21	3R4775	1	SPACER					
Y	22	1304550	1	MTG GP-FILTER					
B	23	4W3314	6	WASHER					

B - USE AS REQUIRED
 Y - SEPARATE ILLUSTRATION

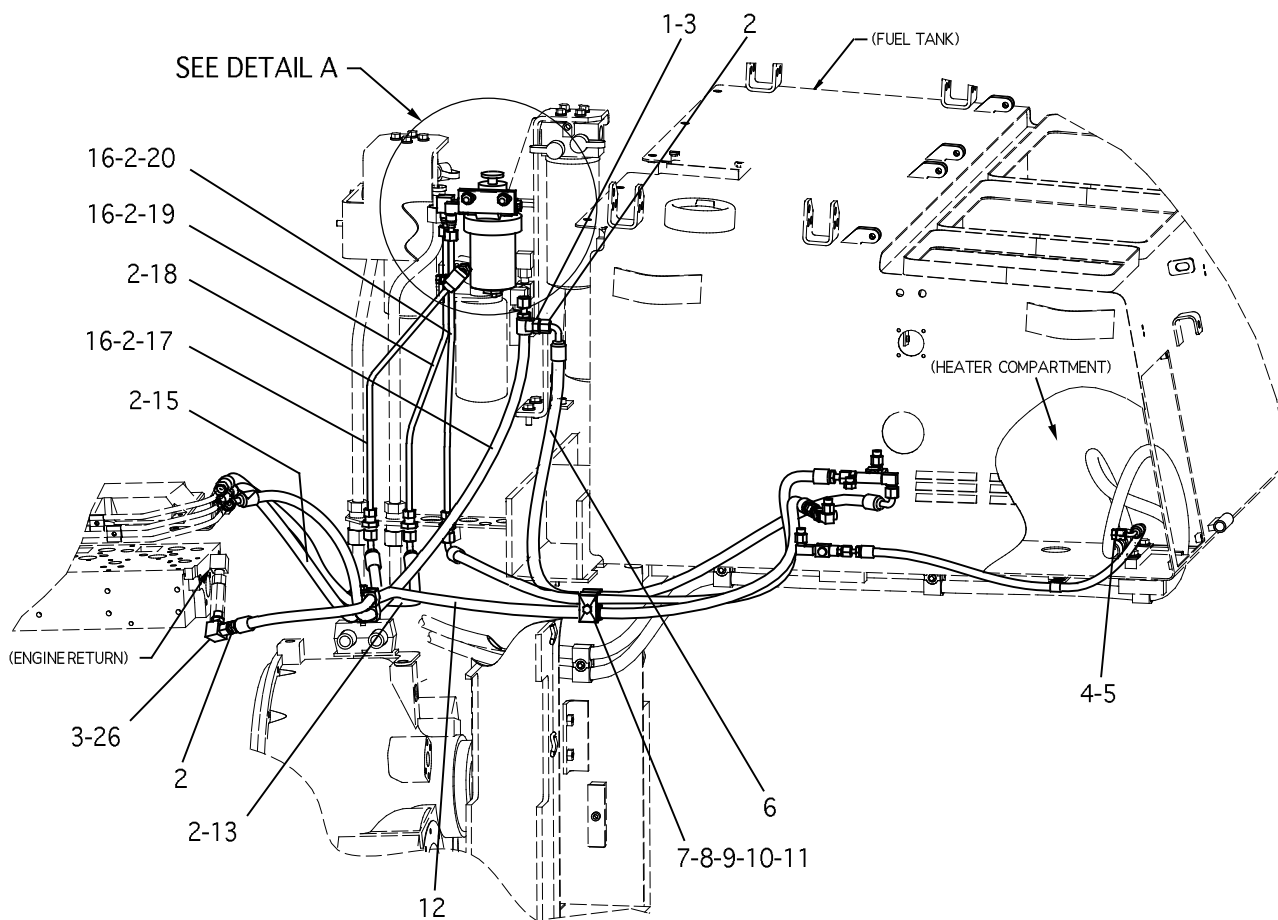
1247062 LINES GP-FUEL PART 2 OF 2

S/N 7RR00003 thru 40

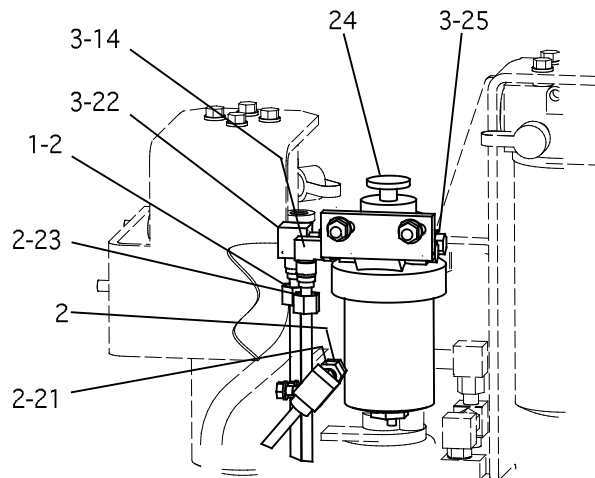
1304550-Page 117

Part of 1447164 Chassis Ar

FUEL SYSTEM



LEFT HAND SIDE VIEW



DETAIL A

REFER TO ALL ILLUSTRATIONS OF THIS GROUP

1665127 LINES GP-FUEL PART 1 OF 2

S/N 7RR00041-Up

Part of 1447164 Chassis Ar

FUEL SYSTEM

NOTE	REF NO	PART NUMBER	QTY	PART NAME	NOTE	REF NO	PART NUMBER	QTY	PART NAME
	1	6V8636	2	CONNECTOR (M-ORFS,M-STOR)					
	2	6V8397	14	SEAL-O-RING (ORFS-OD 13.8)					
	3	3J1907	6	SEAL-O-RING (ORB-OD 15.9)					
	4	6V9507	1	PLUG-FACE SEAL					
	5	4J5477	1	SEAL-O-RING (ORFS-OD 12.2)					
	6	1549789	1	HOSE AS					
		1242114	1	COUPLING-HOSE (ORFS)					
		1242144	1	COUPLING-HOSE 90° (ORFS)					
	7	7R8439	4	CLAMP					
	8	7R7964	2	PLATE-SAFETY					
	9	8C6561	1	BOLT (5/16)					
	10	6W0210	1	BOLT (5/16-18)					
	11	3V0046	1	PLATE					
	12	1590721	1	HOSE AS					
		1242114	1	COUPLING-HOSE (ORFS)					
		1242144	1	COUPLING-HOSE 90° (ORFS)					
	13	1549787	1	HOSE AS					
		1242114	1	COUPLING-HOSE (ORFS)					
		1242130	1	COUPLING-HOSE 45° (ORFS)					
	14	2T2305	1	ELBOW 90° (M-ORFS,F-NPTF)					
	15	1549786	1	HOSE AS					
		1242114	1	COUPLING-HOSE (ORFS)					
		1242130	1	COUPLING-HOSE 45° (ORFS)					
	16	6V9168	3	NUT-BULKHEAD					
	17	1664446	1	TUBE AS					
	18	1549788	1	HOSE AS					
		1242114	1	COUPLING-HOSE (ORFS)					
		1242130	1	COUPLING-HOSE 45° (ORFS)					
	19	1664443	1	TUBE AS					
		6V8553	1	NUT-ORFS					
		6V8560	1	SLEEVE-ORFS					
	20	1664445	1	TUBE AS					
		6V8553	1	NUT-ORFS					
		6V8560	1	SLEEVE-ORFS					
	21	1461832	1	TUBE AS					
		6V8553	2	NUT-ORFS					
		6V8560	2	SLEEVE-ORFS					
	22	6V9850	1	ELBOW 90° (M,F-ORFS)					
	23	5P3501	1	ADAPTER (M-STOR,F-NPTF 28 MM)					
Y	24	1665920	1	SEPARATOR GP-WATER					
	25	9S4191	2	PLUG-STOP					
	26	6V8724	1	ELBOW 90° (M-ORFS,M-STOR)					

Y - SEPARATE ILLUSTRATION

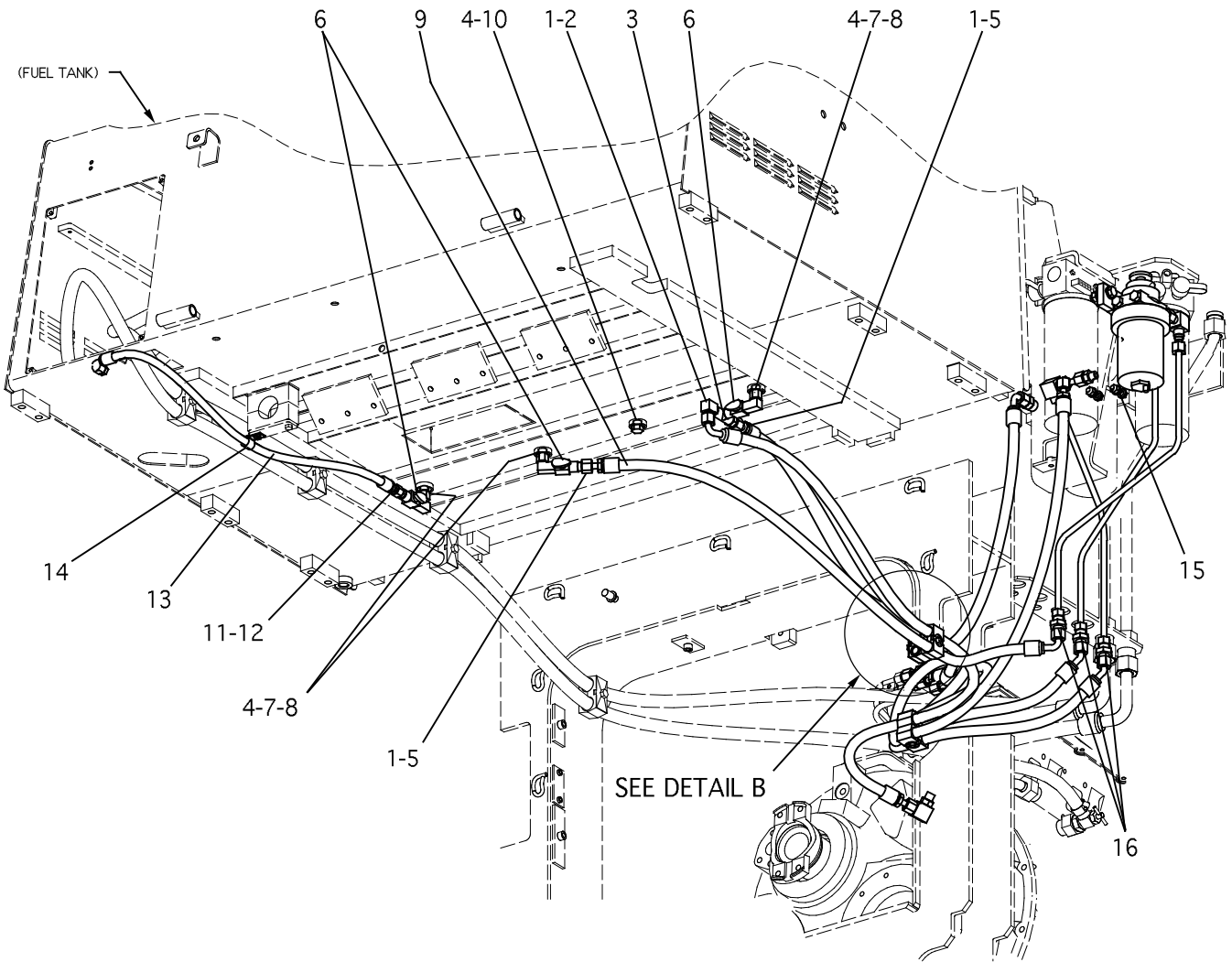
1665127 LINES GP-FUEL PART 1 OF 2

S/N 7RR00041-Up

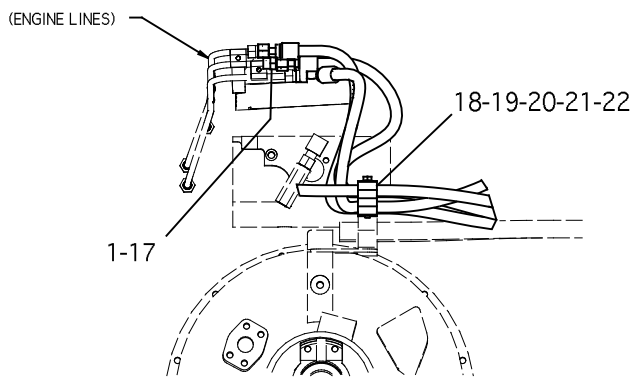
1665920-Page 125

Part of 1447164 Chassis Ar

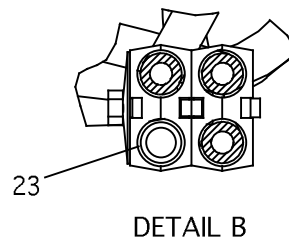
FUEL SYSTEM



VIEW FROM RIGHT REAR CORNER



REAR VIEW OF TORQUE CONVERTER HOUSING



DETAIL B

REFER TO ALL ILLUSTRATIONS OF THIS GROUP

1665127 LINES GP-FUEL PART 2 OF 2

S/N 7RR00041-Up

Part of 1447164 Chassis Ar

FUEL SYSTEM

NOTE	REF NO	PART NUMBER	QTY	PART NAME	NOTE	REF NO	PART NUMBER	QTY	PART NAME
	1	6V8397	5	SEAL-O-RING (ORFS-OD 13.8)					
	2	2T2305	1	ELBOW 90° (M-ORFS,F-NPTF)					
	3	45933	1	TEE-PIPE (F,F,M-NPTF)					
	4	3J1907	4	SEAL-O-RING (ORB-OD 15.9)					
	5	8C6868	2	CONNECTOR (M-ORFS,M-NPTF)					
	6	7X7655	3	VALVE-DRAIN					
	7	7J8611	3	ELBOW 90° (M,F-NPTF)					
	8	5P3501	3	ADAPTER (M-STOR,F-NPTF 28 MM)					
	9	1490525	1	HOSE AS					
		1242114	1	COUPLING-HOSE (ORFS)					
		1242144	1	COUPLING-HOSE 90° (ORFS)					
	10	9S4191	1	PLUG-STOP					
	11	4J5477	1	SEAL-O-RING (ORFS-OD 12.2)					
	12	8C6866	1	CONNECTOR (M-ORFS,M-NPTF)					
	13	1389936	1	HOSE AS					
		1242111	1	COUPLING 9/16-18 (ORFS)					
		1242140	1	COUPLING-HOSE 90° (ORFS)					
	14	4K8864	1	CLIP					
Y	15	1304550	1	MTG GP-FILTER					
B	16	4W3314	6	WASHER					
	17	6V8730	1	UNION (M,M-ORFS)					
	18	3V0046	1	PLATE					
	19	8C6561	1	BOLT (5/16)					
	20	7R7964	4	PLATE-SAFETY					
	21	6W0210	1	BOLT (5/16-18)					
	22	7R8439	4	CLAMP					
	23	3R4775	1	SPACER					

B - USE AS REQUIRED
 Y - SEPARATE ILLUSTRATION

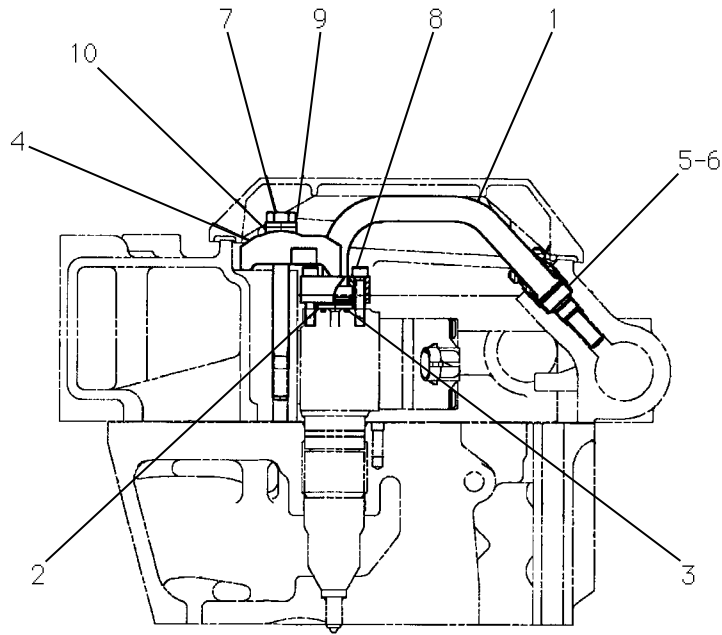
1665127 LINES GP-FUEL PART 2 OF 2

S/N 7RR00041-Up

1304550-Page 117

Part of 1447164 Chassis Ar

FUEL SYSTEM

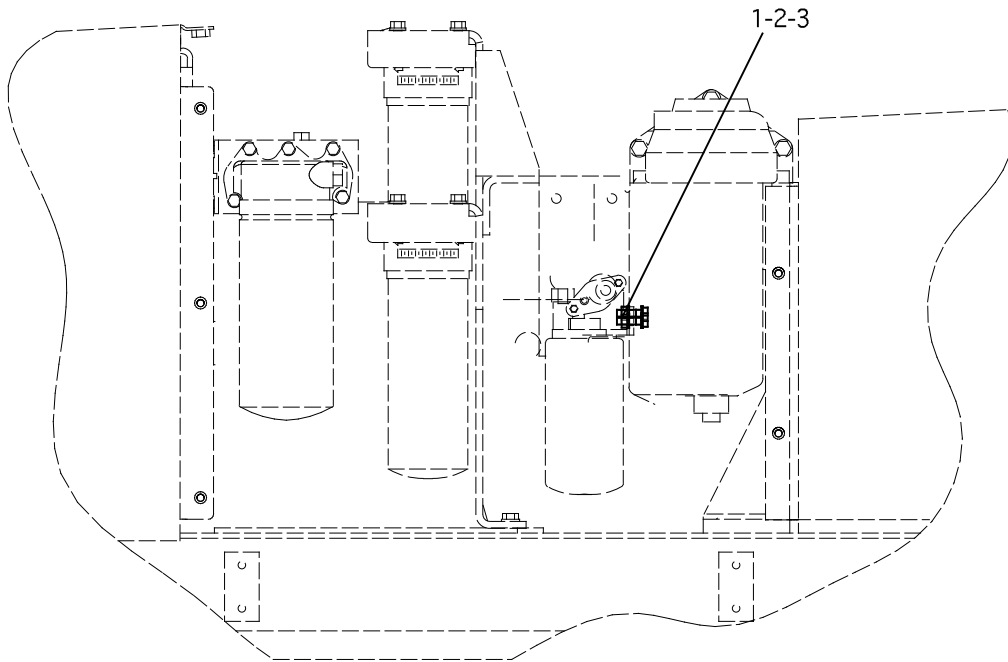


NOTE	REF NO	PART NUMBER	QTY	PART NAME	NOTE	REF NO	PART NUMBER	QTY	PART NAME
M	1	1355980	1	TUBE AS					
	2	1136091	1	SEAT					
	3	1136303	1	SEAL-O-RING (OD 14.4)					
	4	1355973	1	CLAMP-INJECTOR					
	5	1136135	1	FITTING (TUBE)					
	6	0335853	1	SEAL-O-RING (ORB-OD 12.5)					
	7	8T0292	1	BOLT (M8)					
	8	1253296	2	BOLT-SOCKET HEAD (#10)					
	9	9M1974	1	WASHER-HARD					
	10	1077808	1	WASHER					

M - METRIC PART

1051792 LINES GP-HYDRAULIC
Part of 1420725 Engine Ar-Core

FUEL SYSTEM



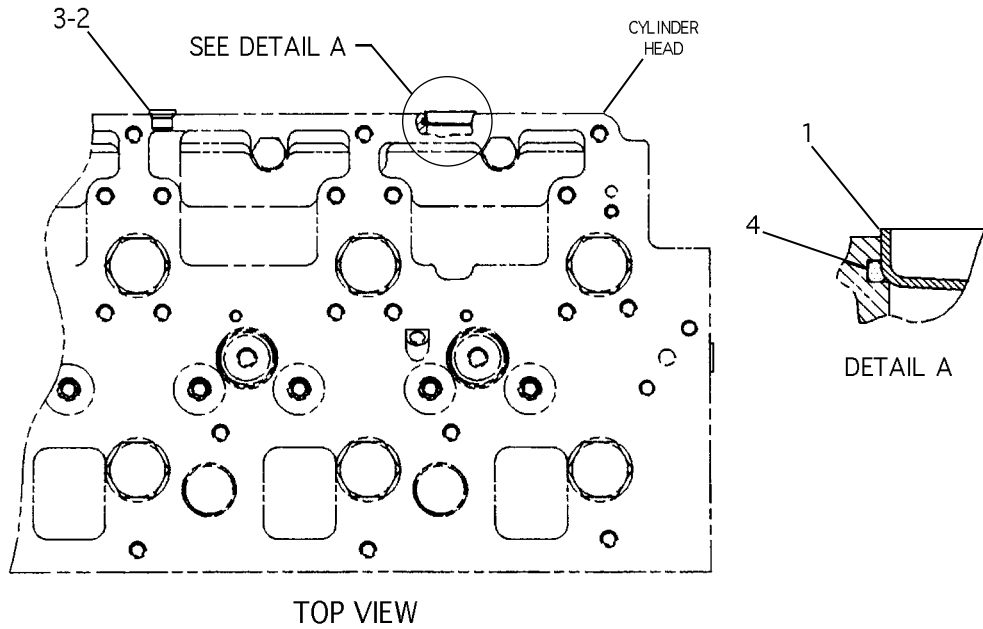
RIGHT SIDE VIEW

NOTE	REF NO	PART NUMBER	QTY	PART NAME	NOTE	REF NO	PART NUMBER	QTY	PART NAME
M	1	5C7261	2	NUT (M8)					
	2	8T4224	4	WASHER-HARD					
M	3	8T7547	2	BOLT (M8)					

M - METRIC PART

1304550 MOUNTING GP-FUEL FILTER
 Part of 1247062 and 1665127 Lines Gp-Fuel

FUEL SYSTEM

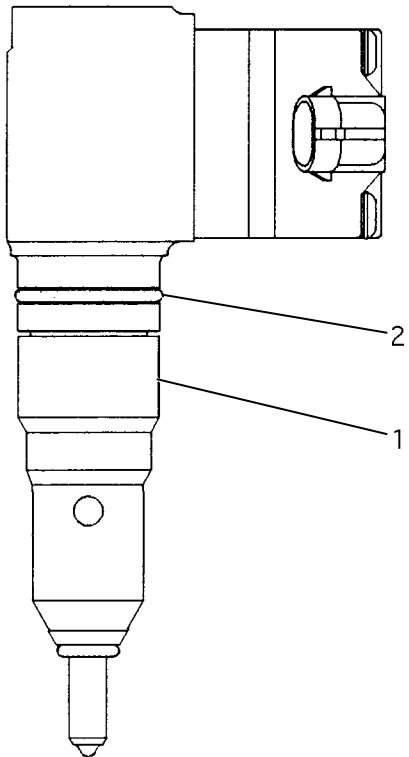


NOTE	REF NO	PART NUMBER	QTY	PART NAME	NOTE	REF NO	PART NUMBER	QTY	PART NAME
	1	3B0645	1	PLUG-CUP					
	2	9S8002	1	PLUG-O-RING					
	3	3J7354	1	SEAL-O-RING (ORB-OD 12.5)					
	4	7X4744	1	SEAL-O-RING (OD 35.1)					

1212094 PLUG GP-CYLINDER HEAD

Part of 1420725 Engine Ar-Core

FUEL SYSTEM

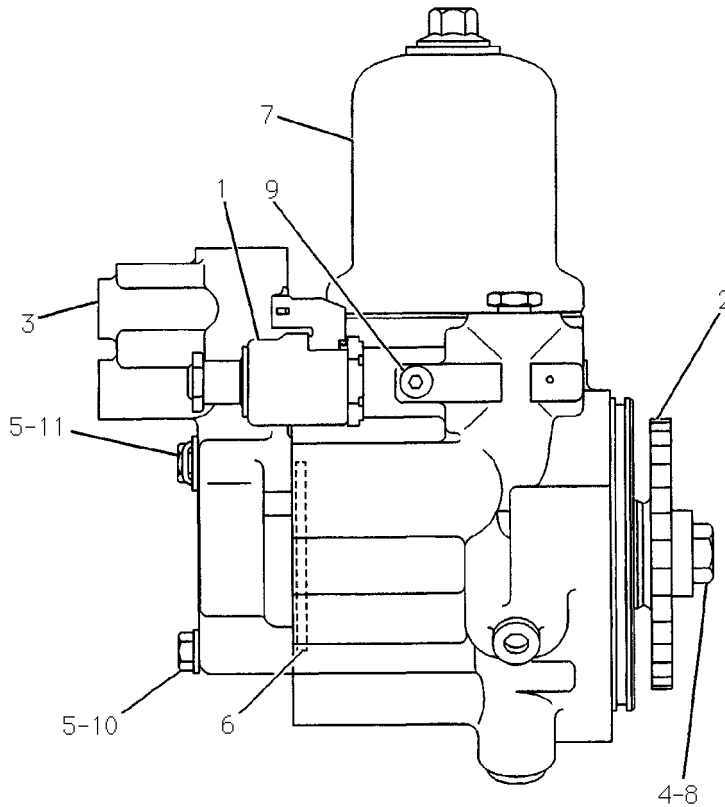


NOTE	REF NO	PART NUMBER	QTY	PART NAME	NOTE	REF NO	PART NUMBER	QTY	PART NAME
	1	1167150	1	INJECTOR GP					
	2	1148718	1	SEAL-FUEL SYSTEM					

1197001 PUMP GP-FUEL INJECTOR

Part of 1420725 Engine Ar-Core

FUEL SYSTEM



NOTE	REF NO	PART NUMBER	QTY	PART NAME	NOTE	REF NO	PART NUMBER	QTY	PART NAME
Y	1	1225053	1	VALVE GP-SOLENOID					
	2	1085225	1	GEAR-PUMP DRIVE					
R	3	1094326	1	PUMP GP-FUEL					
		4P3953	1	PISTON AS					
		7C5294	1	SPRING					
		7W7383	2	VALVE AS-CHECK					
		1W0565	1	RING-RETAINING					
M	4	8T4139	1	BOLT (M12)					
M	5	8T6912	2	BOLT (M8)					
	6	1447338	1	SEAL-O-RING (OD 62.1)					
	7	1094327	1	PUMP GP-HYD					
		1300966	1	CAM					
	8	1180275	1	WASHER					
	9	1311845	1	PLUG-HEX SOCKET					
	10	8T4224	1	WASHER-HARD					
	11	4P5918	1	CLIP					

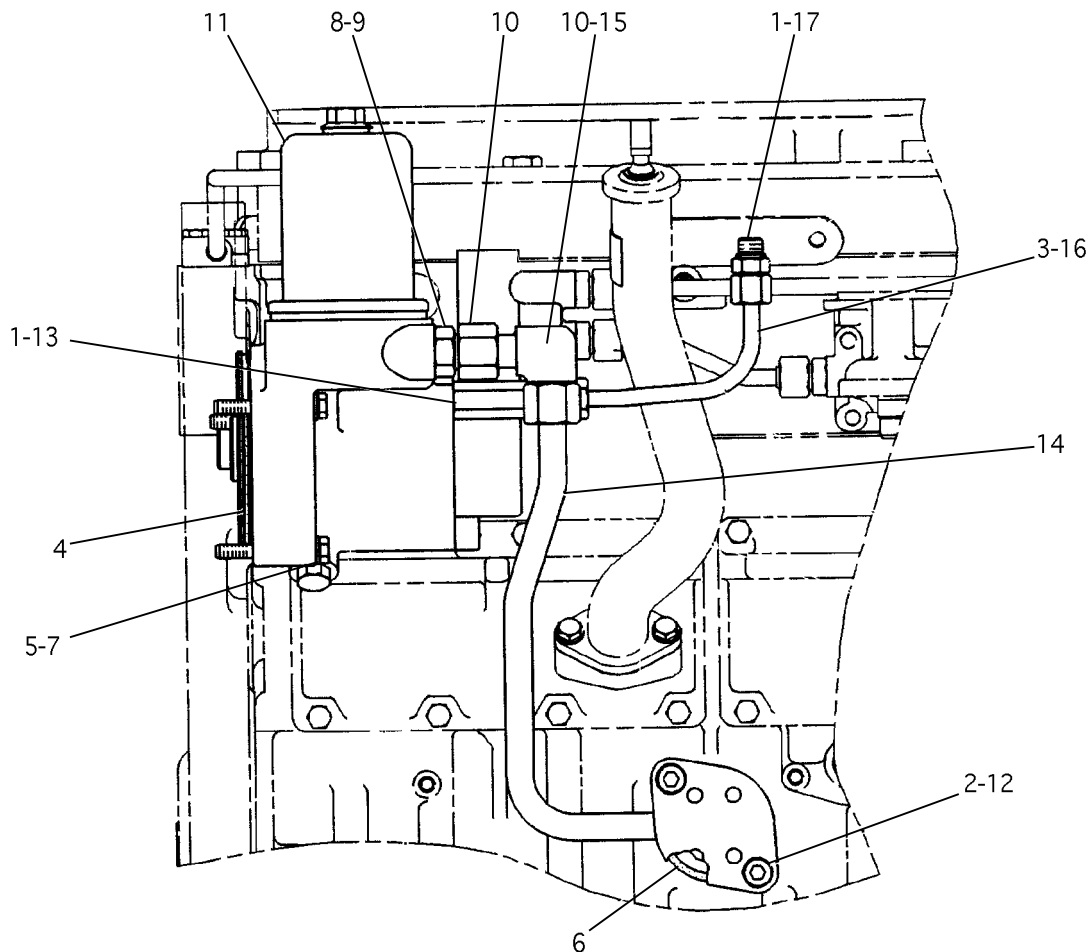
M - METRIC PART
R - REMFG PART MAY BE AVAILABLE
Y - SEPARATE ILLUSTRATION

1071228 PUMP GP-HYDRAULIC (FUEL)

1225053-Page 185

Part of 1480954 Pump Gp & Mounting-Fuel

FUEL SYSTEM



LEFT SIDE VIEW OF ENGINE

NOTE	REF NO	PART NUMBER	QTY	PART NAME	NOTE	REF NO	PART NUMBER	QTY	PART NAME
	1	3J1907	2	SEAL-O-RING (ORB-OD 15.9)					
	2	3V2431	2	WASHER-HARD					
	3	6V8397	2	SEAL-O-RING (ORFS-OD 13.8)					
	4	1T1068	1	SEAL-O-RING (OD 112.9)					
	5	9M1974	3	WASHER-HARD					
	6	4F9653	1	SEAL-O-RING (OD 57.7)					
M	7	8T0100	3	BOLT (M8 X 60 MM LG)					
	8	6V8642	1	CONNECTOR (M-ORFS,M-STOR)					
	9	2M9780	1	SEAL-O-RING (ORB-OD 24.2)					
	10	7J9108	2	SEAL-O-RING (ORFS-OD 19.2)					
Y	11	1071228	1	PUMP GP-HYD					
M	12	8T1159	2	BOLT-SOCKET HEAD (M10)					
	13	8T8887	1	CONNECTOR (M-ORFS,M-STOR)					
	14	1480955	1	TUBE AS-OIL SUPPLY					
	15	1355985	1	TEE (M-ORFS,F-STOR,M-ORFS)					
	16	1177791	1	TUBE AS-OUTLET					
	17	6V8636	1	CONNECTOR (M-ORFS,M-STOR)					

M - METRIC PART
Y - SEPARATE ILLUSTRATION

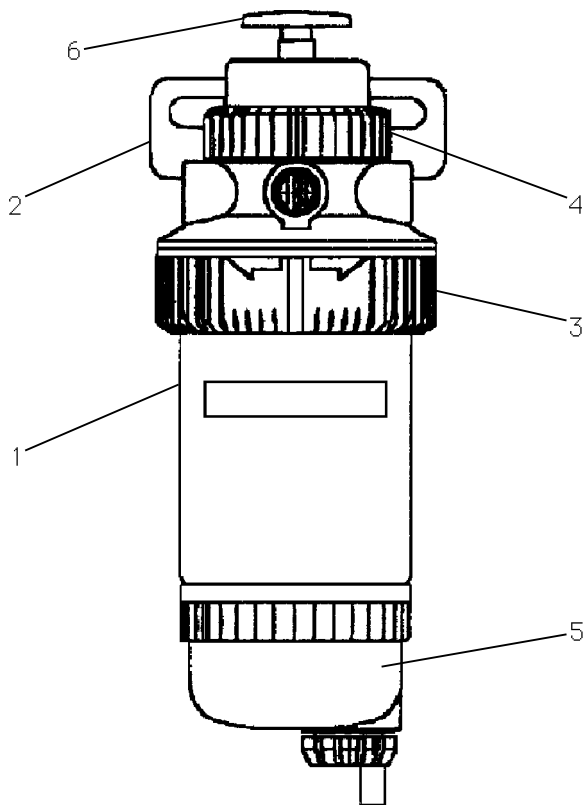
1480954 PUMP GP & MOUNTING-FUEL

1071228-Page 120

Part of 1420725 Engine Ar-Core

00

FUEL SYSTEM



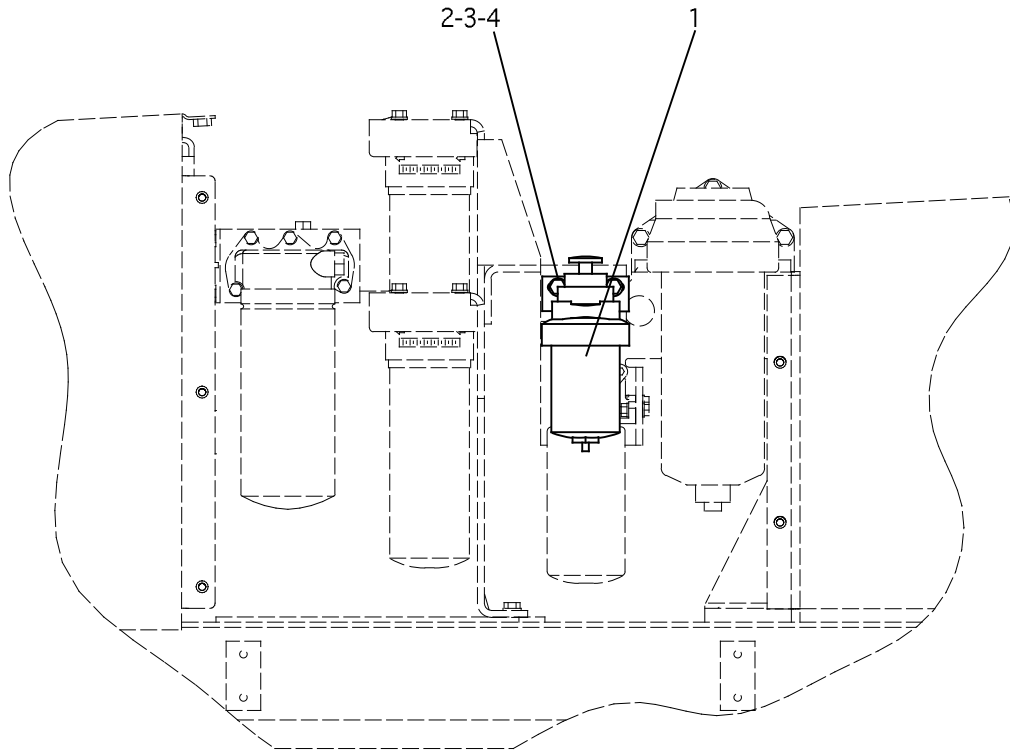
NOTE	REF NO	PART NUMBER	QTY	PART NAME	NOTE	REF NO	PART NUMBER	QTY	PART NAME
	1	1174089	1	ELEMENT-WATER				1	PLUG-VENT
	2	1181461	1	BASE AS				1	SEAL-DUST
	3	1188118	1	RING-RETAINING				1	RING-RETAINING
	4	1188119	1	NUT					
	5	1129401	1	BOWL AS-WATER					
		1288614	1	SEAL KIT-BOWL					
			1	SEAL-O-RING (OD 12.7)					
			1	SEAL-O-RING (OD 29.0)					
			1	SEAL-O-RING (OD 33.5)					
			1	SEAL-O-RING (OD 73.0)					
			1	SEAL-FLAT					
	6	1296259	1	PUMP GP-FUEL PRIMER					
		1214480	1	THE FOLLOWING REPAIR KIT IS AVAILABLE: BASE KIT-WATER					
			1	NUT-CAP					
			1	CAP-HEADER					
			1	SEAL-CAP					
			1	PLUG-VOLUME					
			1	SEAL-O-RING					

1276449 SEPARATOR GP-WATER

S/N 7RR00003 thru 40

Part of 1304553 Separator Gp-Water

FUEL SYSTEM



RIGHT SIDE VIEW

NOTE	REF NO	PART NUMBER	QTY	PART NAME	NOTE	REF NO	PART NUMBER	QTY	PART NAME
Y	1	1276449	1	SEPARATOR GP-WATER					
	2	8T4121	4	WASHER-HARD					
M	3	8T4133	2	NUT (M10)					
M	4	8T4186	2	BOLT (M10)					

M - METRIC PART
Y - SEPARATE ILLUSTRATION

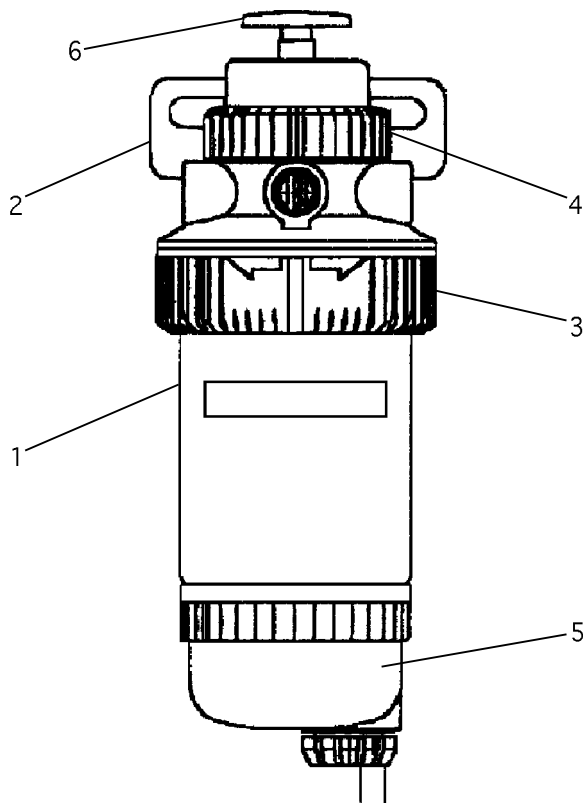
1304553 SEPARATOR GP-WATER

S/N 7RR00003 thru 40

1276449-Page 122

Part of 1247062 Lines Gp-Fuel

FUEL SYSTEM



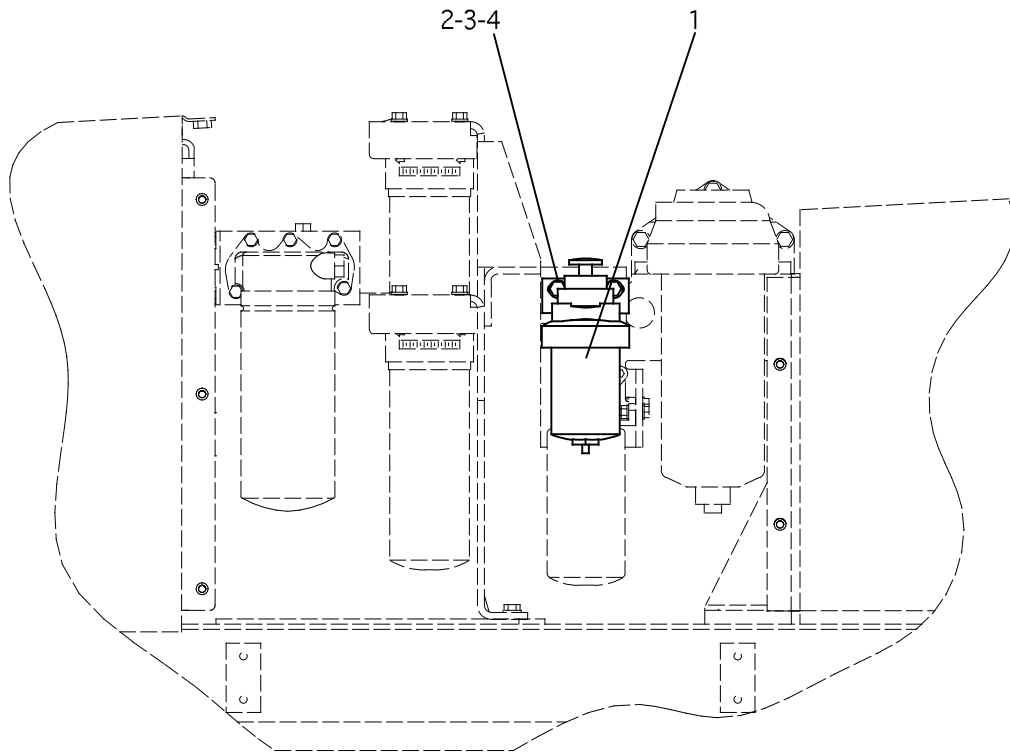
NOTE	REF NO	PART NUMBER	QTY	PART NAME	NOTE	REF NO	PART NUMBER	QTY	PART NAME
	1	1512409	1	ELEMENT-WATER				1	PLUG-VENT
	2	1492684	1	BASE AS				1	SEAL-DUST
	3	1188118	1	RING-RETAINING				1	RING-RETAINING
	4	1188119	1	NUT					
	5	1129401	1	BOWL AS-WATER					
		1288614	1	SEAL KIT-BOWL					
			1	SEAL-O-RING (OD 12.7)					
			1	SEAL-O-RING (OD 29.0)					
			1	SEAL-O-RING (OD 33.5)					
			1	SEAL-O-RING (OD 73.0)					
			1	SEAL-FLAT					
	6	1492685	1	PUMP GP-FUEL PRIMER					
		1214480	1	THE FOLLOWING REPAIR KIT IS AVAILABLE: BASE KIT-WATER					
			1	NUT-CAP					
			1	CAP-HEADER					
			1	SEAL-CAP					
			1	PLUG-VOLUME					
			1	SEAL-O-RING					

1492683 SEPARATOR GP-WATER

S/N 7RR00041-Up

Part of 1665920 Separator Gp-Water

FUEL SYSTEM



RIGHT SIDE VIEW

NOTE	REF NO	PART NUMBER	QTY	PART NAME	NOTE	REF NO	PART NUMBER	QTY	PART NAME
Y	1	1492683	1	SEPARATOR GP-WATER					
	2	8T4121	4	WASHER-HARD					
M	3	8T4133	2	NUT (M10)					
M	4	8T4186	2	BOLT (M10)					

M - METRIC PART
Y - SEPARATE ILLUSTRATION

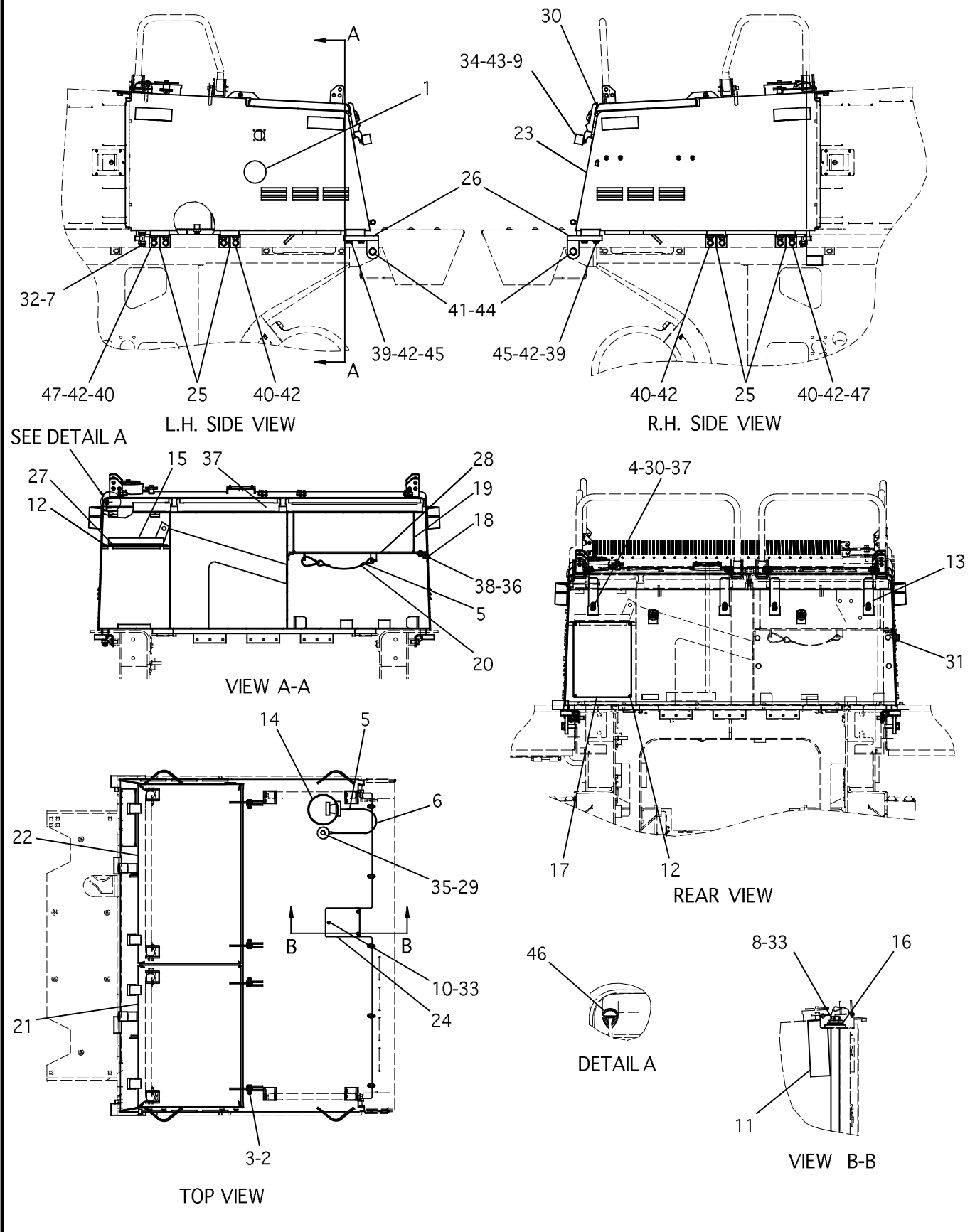
1665920 SEPARATOR GP-WATER

S/N 7RR0041-Up

1492683-Page 124

Part of 1665127 Lines Gp-Fuel

FUEL SYSTEM



1437323 TANK GP-FUEL
Part of 1447164 Chassis Ar

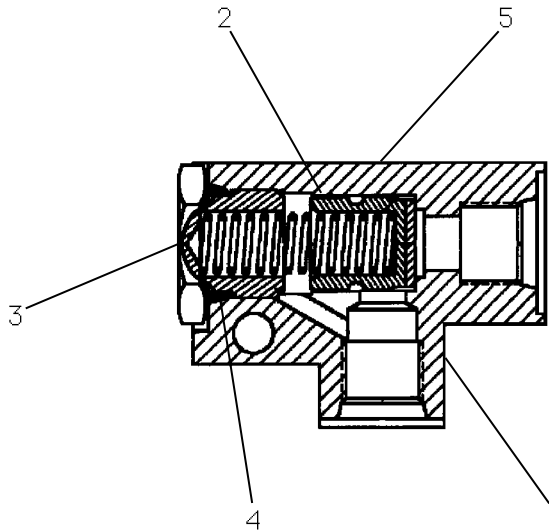
FUEL SYSTEM

NOTE	REF NO	PART NUMBER	QTY	PART NAME	NOTE	REF NO	PART NUMBER	QTY	PART NAME
	1	6P1294	1	BUTTON-PLUG					
	2	3B4615	4	PIN-COTTER					
	3	3K8280	4	PIN-CLEVIS					
	4	5C2874	16	NUT-HEX					
	5	5P7958	3	SLEEVE-CABLE					
	6	5R9956	1	CABLE AS					
	7	7E4761	1	VALVE-SHUTOFF					
	8	7M9910	5	SCREW (10 X 24)					
	9	8C4428	2	SOCKET-LATCH					
	10	8T4647	3	SCREW-MACHINE					
	11	9P7121	1	STRAINER-FUEL TANK					
	12	0898034	8	SCREW-BUTTON HEAD					
	13	1091482	4	LATCH AS					
	14	1236305	1	CAP AS-FUEL					
	15	1250833	1	PAD					
	16	1257126	1	SENDER-FUEL					
	17	1286832	1	PLATE					
	18	1309748	2	HINGE					
	19	1341286	1	BOX AS-TOOL					
	20	1416961	1	LANYARD					
	21	1437316	1	COVER AS					
	22	1437317	1	COVER AS					
	23	1437322	1	TANK AS-FUEL					
		5D9629	1	ROD					
		7J5544	1	FITTING					
		7R7945	3	PLATE AS (30 X 88 MM)					
		7T1099	2	LINK					
		7Y2522	6	PLATE (25 X 80 MM)					
		1779787	6	BAR					
		9X2206	1	ADAPTER AS-FUEL					
	24	1443016	1	PLATE					
	25	1443020	4	BRACKET AS					
	26	1452825	2	BRACKET AS					
	27	1455159	1	PLATE AS					
	28	1470718	1	PLATE AS					
	29	1156433	1	WASHER					
	30	2A3211	16	WASHER					
	31	3Y6047	4	PLUG-BUTTON					
	32	3K0360	1	SEAL-O-RING (ORB-OD 20.8)					
	33	4B4863	8	WASHER					
	34	5K0906	2	BOLT-HEX (5/16)					
	35	5M3062	1	BOLT-HEX (3/8)					
M	36	6V7744	8	LOCKNUT (M10)					
M	37	7Y7388	16	SCREW (M5)					
	38	8C8585	8	BOLT-BUTTON HEAD					
M	39	8T4183	4	BOLT-HEX HEAD (M12)					
M	40	8T4192	16	BOLT-HEX HEAD (M12)					
M	41	8T4193	2	BOLT-HEX HEAD (M10)					
	42	8T4223	16	WASHER-HARD					
	43	8T4224	2	WASHER-HARD					
	44	7X0517	2	WASHER-HARD					
	45	5P1076	4	WASHER					
D	46	5P8292	4	SEAL					
B	47	0908865	3	SPACER					

B - USE AS REQUIRED
D - ORDER BY THE METER
M - METRIC PART

1437323 TANK GP-FUEL
Part of 1447164 Chassis Ar

FUEL SYSTEM



NOTE	REF NO	PART NUMBER	QTY	PART NAME	NOTE	REF NO	PART NUMBER	QTY	PART NAME
Z	1	6I2423	1	HOUSING-VALVE					
	2	2W3294	1	PLUNGER AS-VALVE					
	3	6I2424	1	PLUG					
	4	3K0360	1	SEAL-O-RING (ORB-OD 20.8)					
	5	1418287	1	SPRING					

Z - NOT SERVICED SEPARATELY

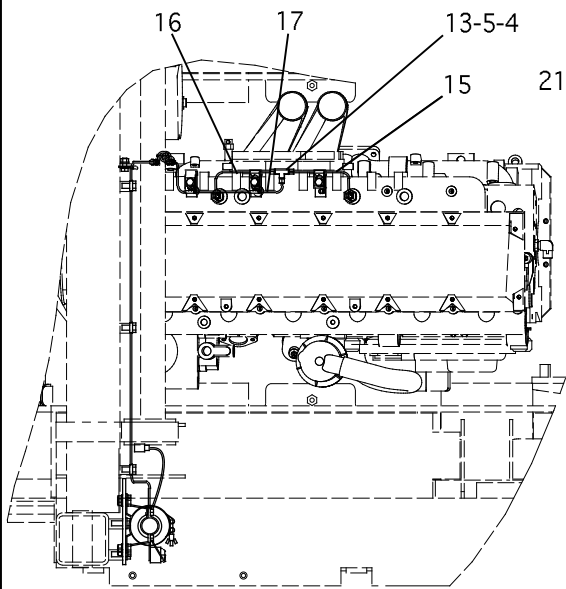
1418288 VALVE GP-RELIEF (FUEL)

Part of 1260458 Filter Gp-Fuel

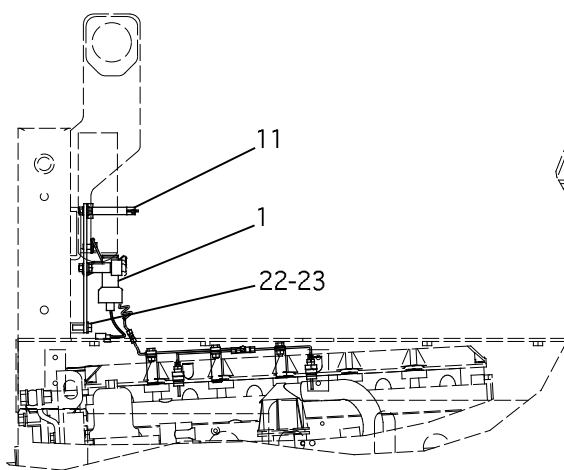
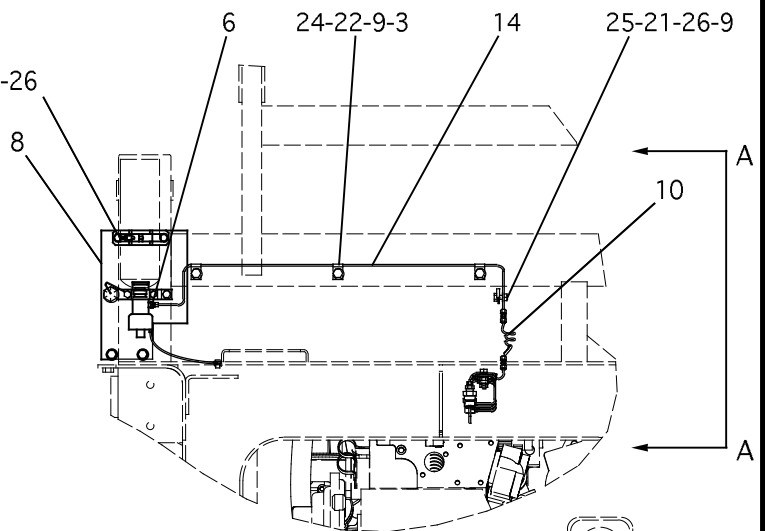
NOTES

A large, empty rectangular box with a black border, intended for handwritten notes.

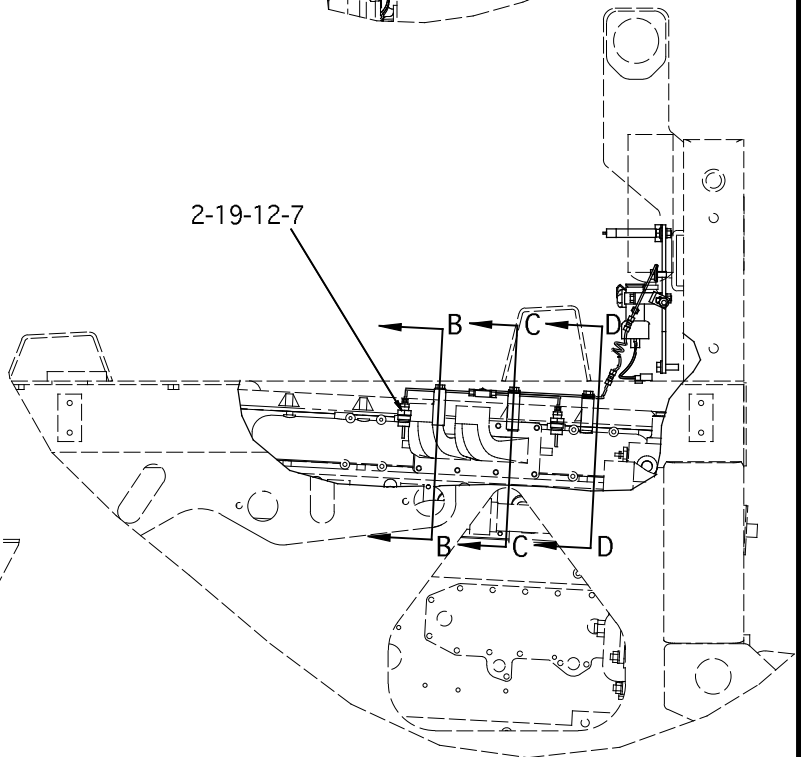
ELECTRICAL AND STARTING SYSTEM



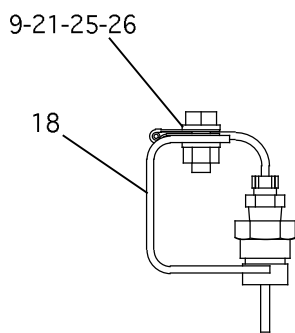
TOP VIEW



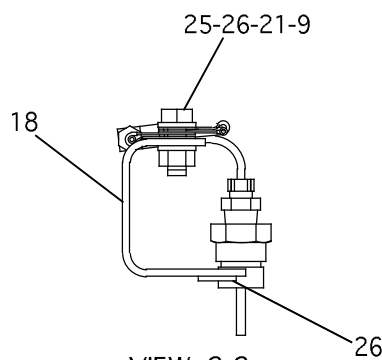
R.H. SIDE VIEW



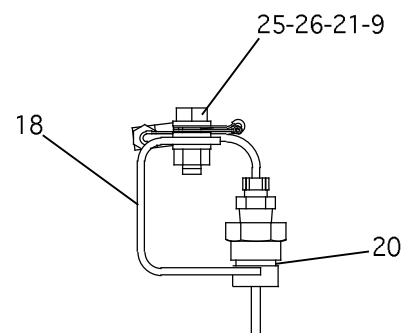
VIEW A-A



VIEW B-B



VIEW C-C



VIEW D-D

1265835 AID GP-ETHER STARTING
Part of 1447163 Installation Ar

ELECTRICAL AND STARTING SYSTEM

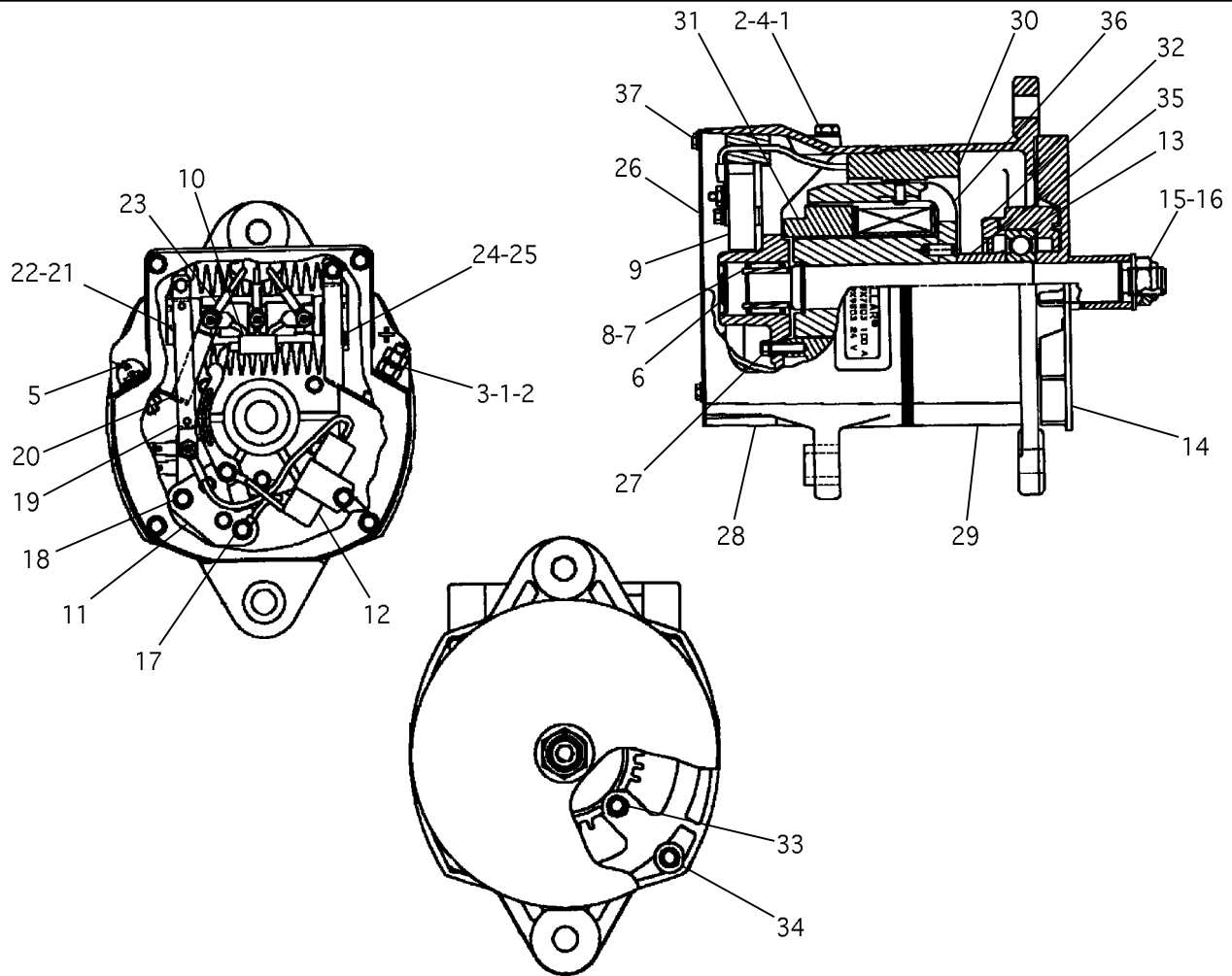
NOTE	REF NO	PART NUMBER	QTY	PART NAME	NOTE	REF NO	PART NUMBER	QTY	PART NAME
	1	3E6332	1	VALVE AS-START					
		3E3365	1	WEDGE-RECEP LOCK					
		7N9801	1	GASKET					
		8T8729	2	PIN-CONNECTOR					
		1028802	1	RECEPTACLE KIT					
		3E3365	1	WEDGE-RECEP LOCK					
		8T8729	2	PIN-CONNECTOR					
	2	3Y2888	2	CONNECTOR (M-STOR,F-NPTF)					
	3	4J3014	3	SPACER					
	4	4K9821	3	SLEEVE					
	5	4K9822	3	NUT					
	6	5P2948	1	CONNECTOR (M-NPTF,TUBE)					
		4K9821	1	SLEEVE					
		4K9822	1	NUT					
	7	5P6944	2	ADAPTER (M,F-STOR)					
	8	6R3269	1	PLATE					
	9	6V2686	8	CLIP					
	10	7N0140	1	TUBE AS-COIL					
	11	7N2059	1	CLAMP AS-CYLINDER					
	12	7X1078	2	NOZZLE AS-ETHER					
	13	8C9006	1	TEE-UNION (TUBE)					
	14	1314257	1	TUBE					
	15	1620767	1	TUBE					
	16	1620768	1	TUBE					
	17	1371569	1	TUBE					
	18	1520798	3	BRACKET					
	19	3J1907	2	SEAL-O-RING (ORB-OD 15.9)					
	20	3K0360	2	SEAL-O-RING (ORB-OD 20.8)					
M	21	5C7261	8	NUT (M8)					
M	22	8T4121	5	WASHER-HARD (M10)					
M	23	8T4137	2	BOLT (M10)					
M	24	8T4186	3	BOLT (M10)					
M	25	8T4189	8	BOLT (M8)					
M	26	5P4116	18	WASHER-HARD (M8)					
F	-	7N0296	1	CYLINDER AS (ETHER)					
		7N9801	1	GASKET					

F - NOT SHOWN
M - METRIC PART

1265835 AID GP-ETHER STARTING

Part of 1447163 Installation Ar

ELECTRICAL AND STARTING SYSTEM



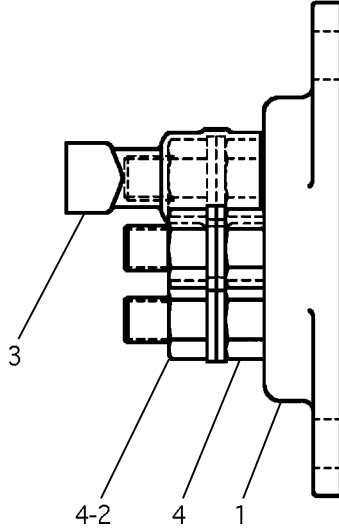
NOTE	REF NO	PART NUMBER	QTY	PART NAME	NOTE	REF NO	PART NUMBER	QTY	PART NAME
	1	8T4205	2	WASHER-HARD		26	9N0942	1	PLATE-COVER
	2	1H3244	2	LOCKWASHER (1/4)		27	9N3388	5	SCREW-SELF LOCK
	3	6V8187	1	NUT-FULL		28	1067687	1	HOUSING AS-ALT
	4	5S7349	1	BOLT		29	2P5616	1	FRAME-DRIVE END
	5	9L6770	1	CAP		30	8T9762	1	STATOR AS-ALT
	6	9N0943	1	PLUG-BRG WELL		31	1067688	1	COIL AS-ALT
	7	5P3418	1	BEARING-ROLLER		32	9S2390	1	RETAINER
	8	5P3419	1	RACE-BRG INNER		33	9X2500	4	SCREW-HEX FLANGE
	9	9L6776	1	RECTIFIER AS		34	9S2009	4	SCREW-HEAD
	10	6N1944	1	DIODE AS		35	1006532	1	COLLAR-ALT
	11	3T6354	1	REGULATOR AS		36	9S2302	1	ROTOR AS
	12	1053763	1	CAPACITOR AS-ALT		37	0309612	4	SCREW-FORMING
	13	5P7807	1	BEARING-BALL	F	-	9S2013	1	TERMINAL KIT
	14	1006531	1	FAN-ALTERNATOR				1	BUSHING
	15	2K4821	1	LOCKNUT				1	WASHER-INSULATION
	16	7F7621	1	WASHER				1	WASHER
	17	6N1872	2	SCREW AS				2	NUT AS
	18	7N9023	1	SCREW AS				1	STUD-TERMINAL
	19	1067689	1	CONNECTOR-ALT (LONG)	F	-	1053764	1	TERMINAL KIT-ALT
	20	1067690	1	CONNECTOR-ALT (SHORT)				1	TERMINAL AS
	21	9S2544	2	SCREW-HEX HEAD				1	INSULATOR
	22	9B7233	2	LOCKWASHER				1	BUSHING
	23	2L8075	3	TERMINAL				1	WASHER
	24	7N9021	2	SCREW AS				2	NUT
	25	8T0328	2	WASHER-HARD				2	LOCKWASHER

F - NOT SHOWN

9X7803 ALTERNATOR GP

Part of 1302789 Mounting Gp-Alternator

ELECTRICAL AND STARTING SYSTEM

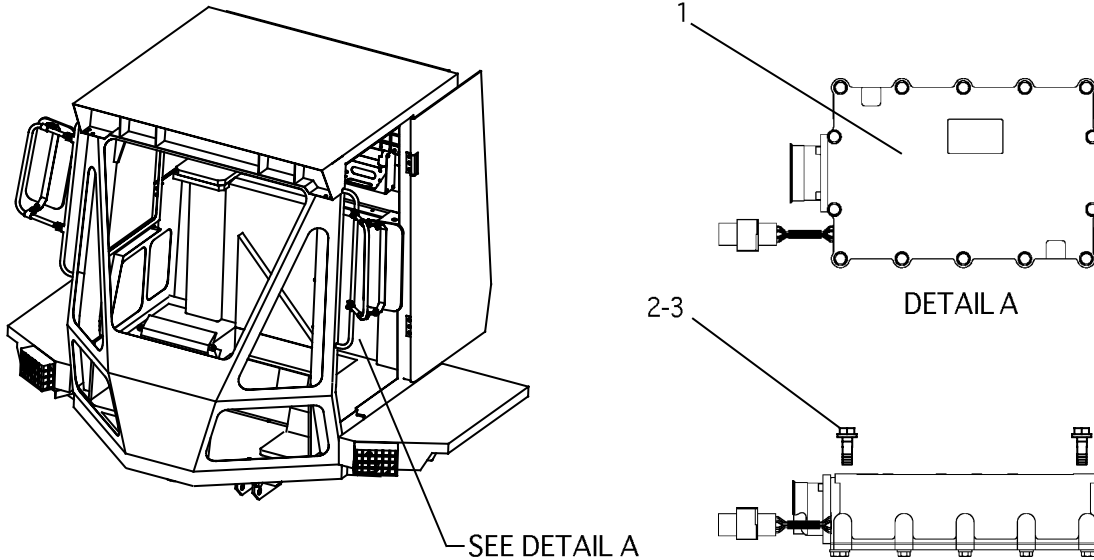


NOTE	REF NO	PART NUMBER	QTY	PART NAME	NOTE	REF NO	PART NUMBER	QTY	PART NAME
D	1	8C6358	1	BLOCK AS-JCT					
		1D5117	3	NUT-JAM					
	2	7F0560	6	WASHER					
	3	6V2722	1	TUBE-SHRINKABLE					
	4	8T3518	6	NUT-FULL (1/2)					

D - ORDER BY THE METER

9W0742 BLOCK GP-JUNCTION
Part of 1245844 Wiring Gp-Vehicle

ELECTRICAL AND STARTING SYSTEM

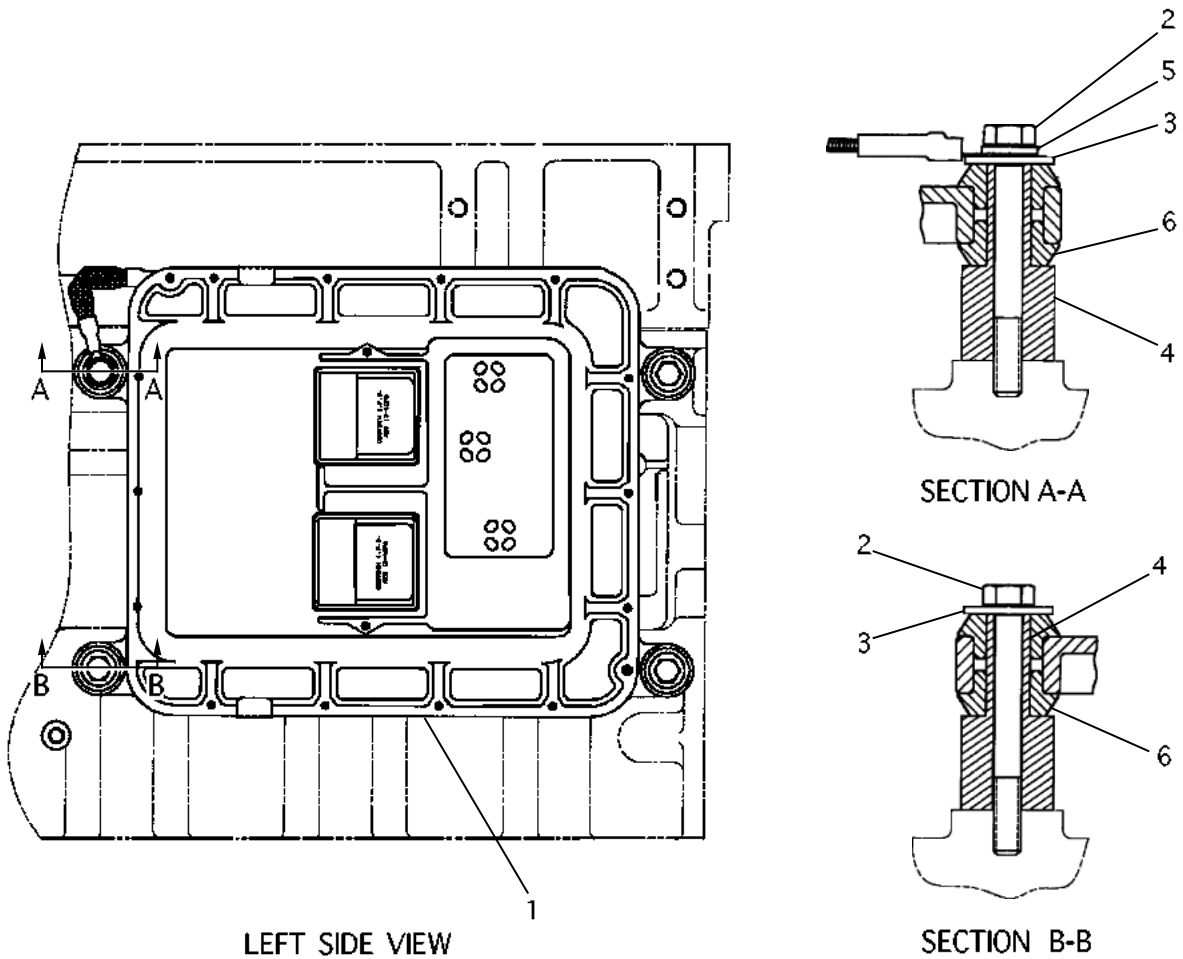


NOTE	REF NO	PART NUMBER	QTY	PART NAME	NOTE	REF NO	PART NUMBER	QTY	PART NAME
	1	1703724	1	CONTROL GP					
		1737636	1	FILM-INSTRUCTION					
	2	5M3062	4	BOLT (3/8-16)					
	3	5P1075	4	WASHER-HARD					

1416655 CONTROL GP & MOUNTING (EPTC)

Part of 1447166 Operator Ar

ELECTRICAL AND STARTING SYSTEM



NOTE	REF NO	PART NUMBER	QTY	PART NAME	NOTE	REF NO	PART NUMBER	QTY	PART NAME
N	1	1457807	1	CONTROL GP					
		6V6703	2	BOLT KIT					
M			1	BOLT (M5)					
			1	RING					
			4	SEAL-O-RING					
		7X6315	1	STRAP-GROUND					
		1267574	1	SCREW-PAN HEAD (#8-32)					
M	2	8T6870	4	BOLT (M8)					
	3	9N0869	4	WASHER-HARD					
	4	1013128	4	SPACER					
	5	8T4224	1	WASHER-HARD					
	6	8T9655	8	MOUNT					

M - METRIC PART

N - THIS CONTROL GP MUST BE PROGRAMMED BY A CATERPILLAR DEALER. USE PART NUMBER 1568587, WHICH IS PRE-PROGRAMMED. IT WILL BE NECESSARY TO CALIBRATE THE ENGINE TIMING AFTER REPLACING THE ENGINE CONTROL GROUP (ECM).

1228947 CONTROL GP & MOUNTING (ENGINE)

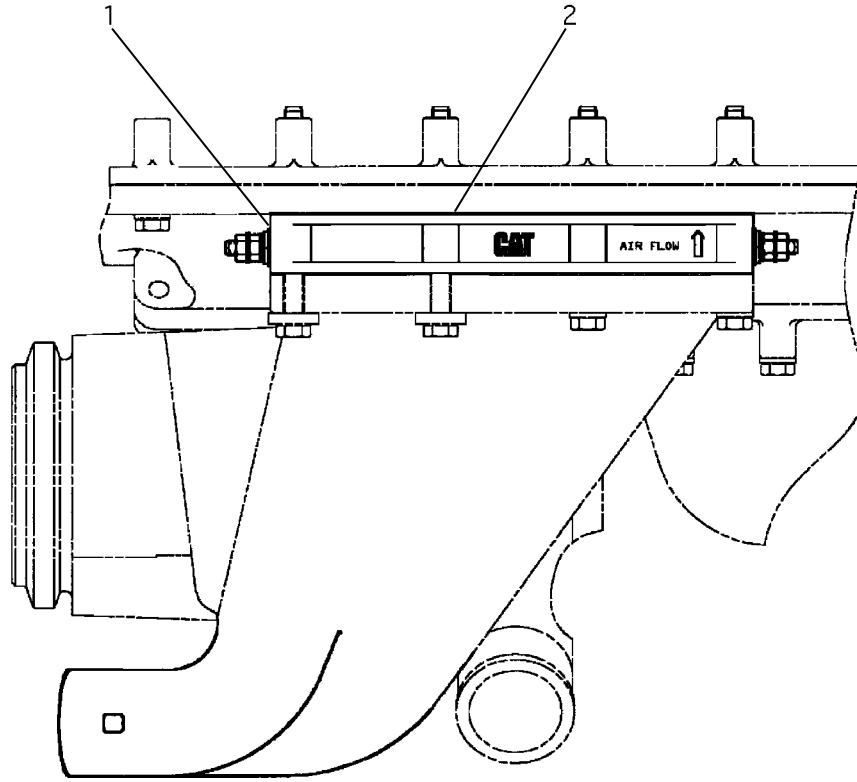
Part of 1287367 Engine Ar-Basic

ELECTRICAL AND STARTING SYSTEM

1	1450022	LIGHTING GP-ROAD.....	144
1	1245857	PANEL GP-BREAKER	150
1	1470720	PANEL GP-BREAKER	152
1	1501681	SENDER GP-TEMP & PRESS	154
1	1501683	SWITCH GP	160
1	1525279	SWITCH GP	162
1	1245842	WIRING GP & BATTERY	163
1	1245848	WIRING GP-CONSOLE	168
1	1245856	WIRING GP & INSTRUMENT	170
1	1527542	WIRING GP-LIGHTING	172
1	1245844	WIRING GP-VEHICLE	174

1447169 ELECTRICAL AR
 Part of 1447162 General Ar

ELECTRICAL AND STARTING SYSTEM



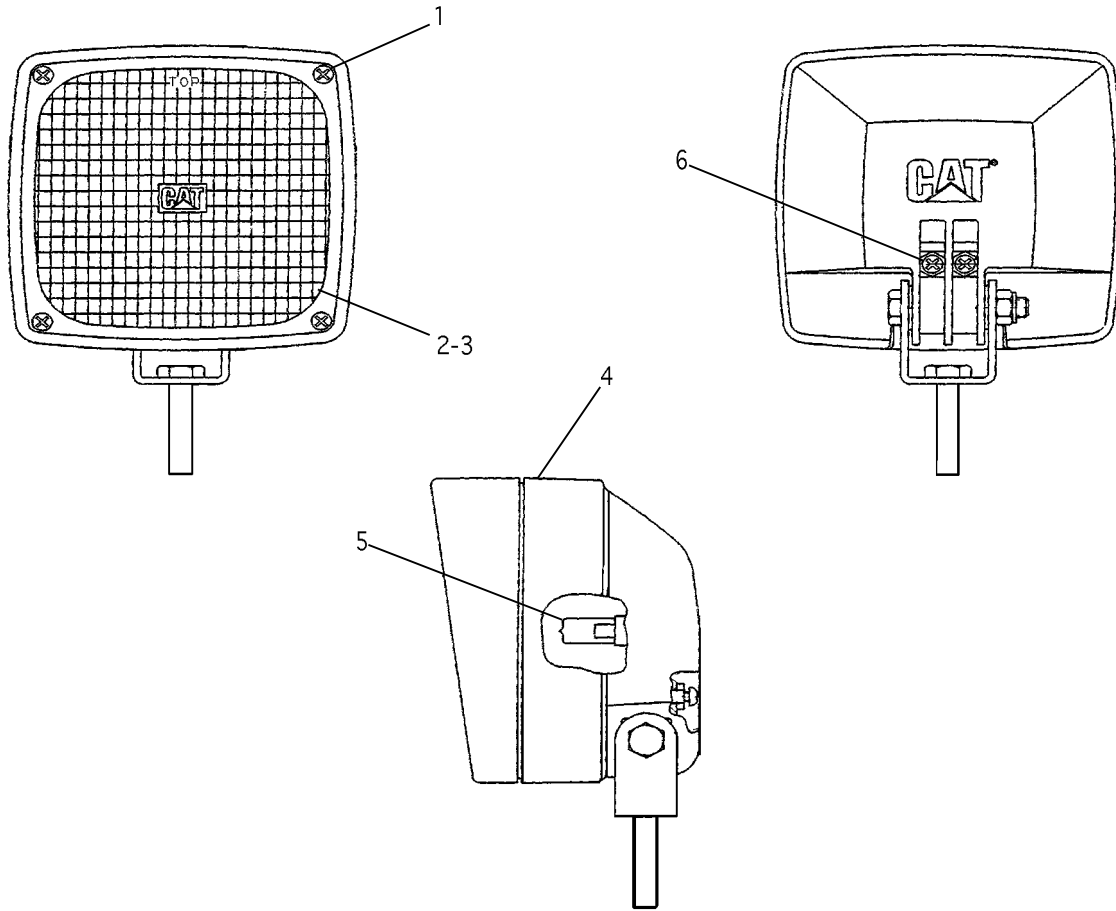
TOP VIEW

NOTE	REF NO	PART NUMBER	QTY	PART NAME	NOTE	REF NO	PART NUMBER	QTY	PART NAME
B	1	1593537	1	HEATER AS					
		5C2890	2	NUT-HEX					
	2	1U8846	1	GASKET MAKER					

B - USE AS REQUIRED

1187284 HEATER GP-AIR INLET
Part of 1287367 Engine Ar-Basic

ELECTRICAL AND STARTING SYSTEM



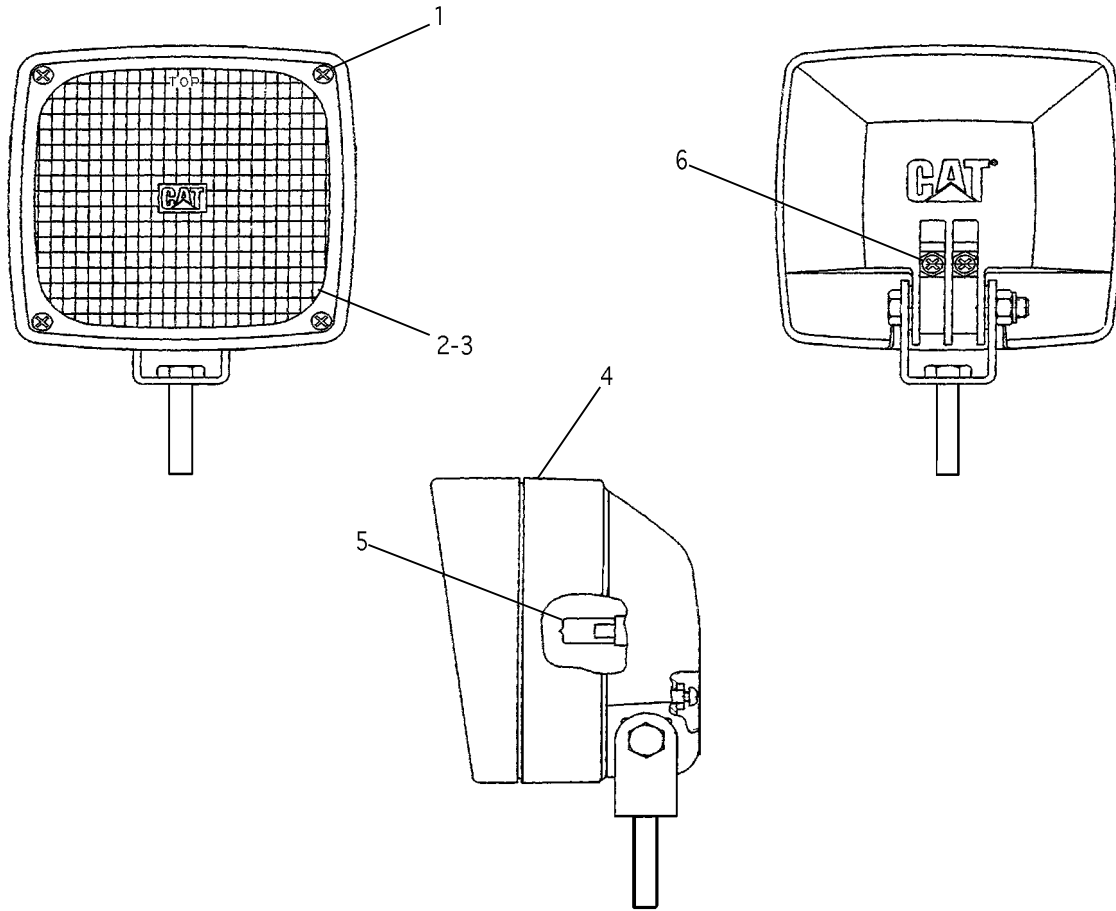
NOTE	REF NO	PART NUMBER	QTY	PART NAME	NOTE	REF NO	PART NUMBER	QTY	PART NAME
	1	9X4244	4	SCREW					
	2	9X4174	1	LENS AS					
	3	9X4243	1	SEAL					
	4	9X3455	1	BODY AS					
		8T4121	1	WASHER-HARD					
		8T4133	1	NUT					
	5	9X3463	1	BULB					
	6	8T0337	2	SCREW-MACHINE					
FK	-	8T8730	2	SOCKET-CONNECTOR					
FK	-	1028807	1	PLUG KIT-CONNECTOR					
		3E3361	1	PLUG AS-CONN					
		3E3362	1	WEDGE-PLUG LOCK					
FK	-	1623294	1	LAMP GP-FLOOD					
FK	-	1650699	1	BRACKET KIT-MTG					
			1	BRACKET					
			1	BOLT (M8)					
			1	BOLT (M10)					
			1	LOCKNUT					

F - NOT SHOWN
K - OPT SERVICE REPLACEMENT

9X1439 LAMP GP-FLOOD

Part of 1450022 Lighting Gp-Road

ELECTRICAL AND STARTING SYSTEM



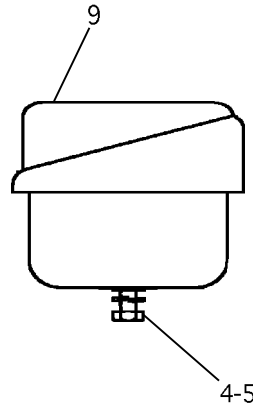
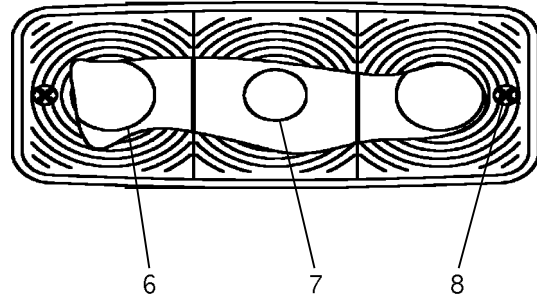
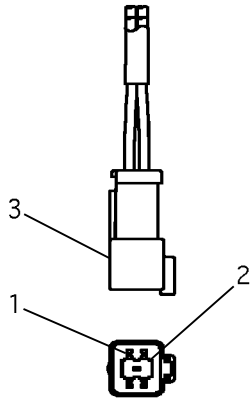
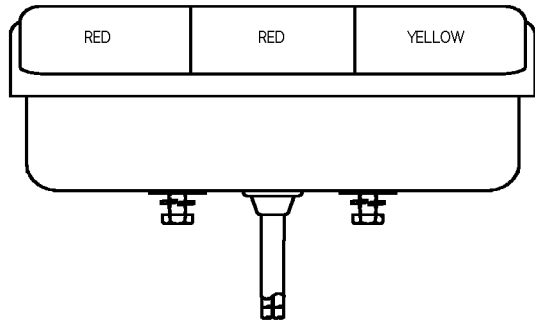
NOTE	REF NO	PART NUMBER	QTY	PART NAME	NOTE	REF NO	PART NUMBER	QTY	PART NAME
	1	9X4244	4	SCREW					
	2	9X7798	1	LENS AS					
	3	9X4243	1	SEAL					
	4	9X3455	1	BODY AS					
		8T4121	1	WASHER-HARD					
		8T4133	1	NUT					
	5	9X3463	1	BULB					
	6	8T0337	2	SCREW-MACHINE					
FK	-	8T8730	2	SOCKET-CONNECTOR					
FK	-	1028807	1	PLUG KIT-CONNECTOR					
		3E3361	1	PLUG AS-CONN					
		3E3362	1	WEDGE-PLUG LOCK					
FK	-	1681953	1	LAMP GP-HEAD					
FK	-	1650699	1	BRACKET KIT-MTG					
			1	BRACKET					
			1	BOLT (M8)					
			1	BOLT (M10)					
			1	LOCKNUT					

F - NOT SHOWN
K - OPT SERVICE REPLACEMENT

9X7169 LAMP GP-HEAD

Part of 1450022 Lighting Gp-Road

ELECTRICAL AND STARTING SYSTEM



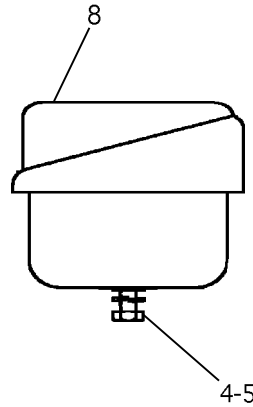
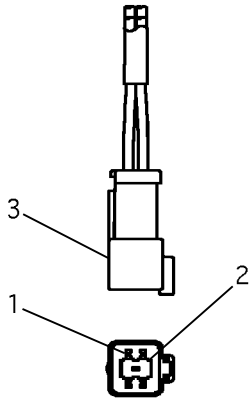
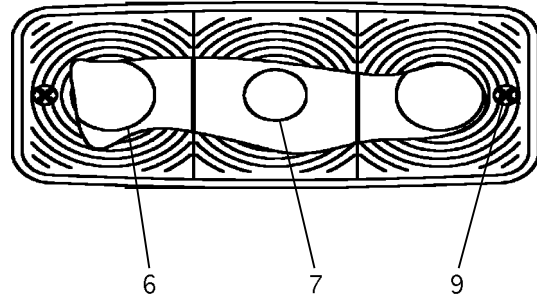
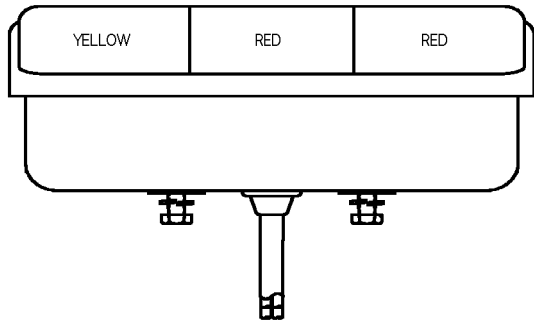
RIGHT HAND SIDE SHOWN

NOTE	REF NO	PART NUMBER	QTY	PART NAME	NOTE	REF NO	PART NUMBER	QTY	PART NAME
M	1	8T8729	4	PIN-CONNECTOR					
	2	3E3377	1	WEDGE-RECEP LOCK					
	3	1028804	1	RECEPTACLE KIT					
		3E3376	1	RECEPTACLE AS					
		3E3377	1	WEDGE-RECEP LOCK					
	4	8T0288	2	BOLT (M5)					
	5	8F1434	2	LOCKWASHER (#10)					
	6	9X4493	2	BULB-24 VOLT (STOP/TURN)					
	7	1303565	1	LAMP-24 VOLT					
8	1346748	2	SCREW-LENS						
	9	1346750	1	LENS					

M - METRIC PART

1495534 LAMP GP-SIGNAL
Part of 1450020 Lighting Gp

ELECTRICAL AND STARTING SYSTEM



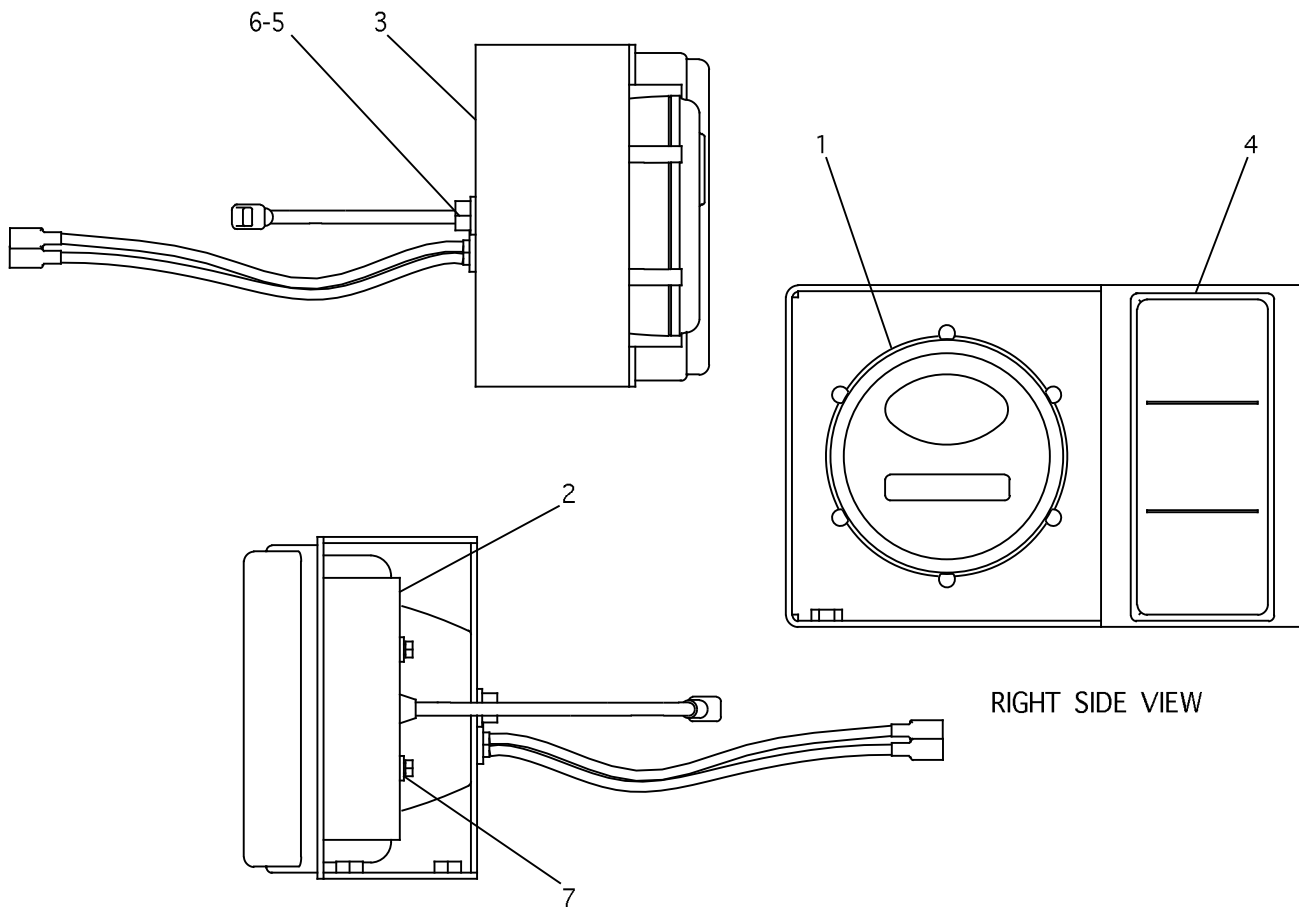
LEFT HAND SIDE SHOWN

NOTE	REF NO	PART NUMBER	QTY	PART NAME	NOTE	REF NO	PART NUMBER	QTY	PART NAME
M	1	8T8729	4	PIN-CONNECTOR					
	2	3E3377	1	WEDGE-RECEP LOCK					
	3	1028804	1	RECEPTACLE KIT					
		3E3376	1	RECEPTACLE AS					
		3E3377	1	WEDGE-RECEP LOCK					
	4	8T0288	2	BOLT (M5)					
	5	8F1434	2	LOCKWASHER (#10)					
	6	9X4493	2	BULB-24 VOLT (STOP/TURN)					
	7	1303565	1	LAMP-24 VOLT					
8	1346750	1	LENS						
9	1346748	2	SCREW-LENS						

M - METRIC PART

1495535 LAMP GP-SIGNAL
Part of 1450021 Lighting Gp

ELECTRICAL AND STARTING SYSTEM



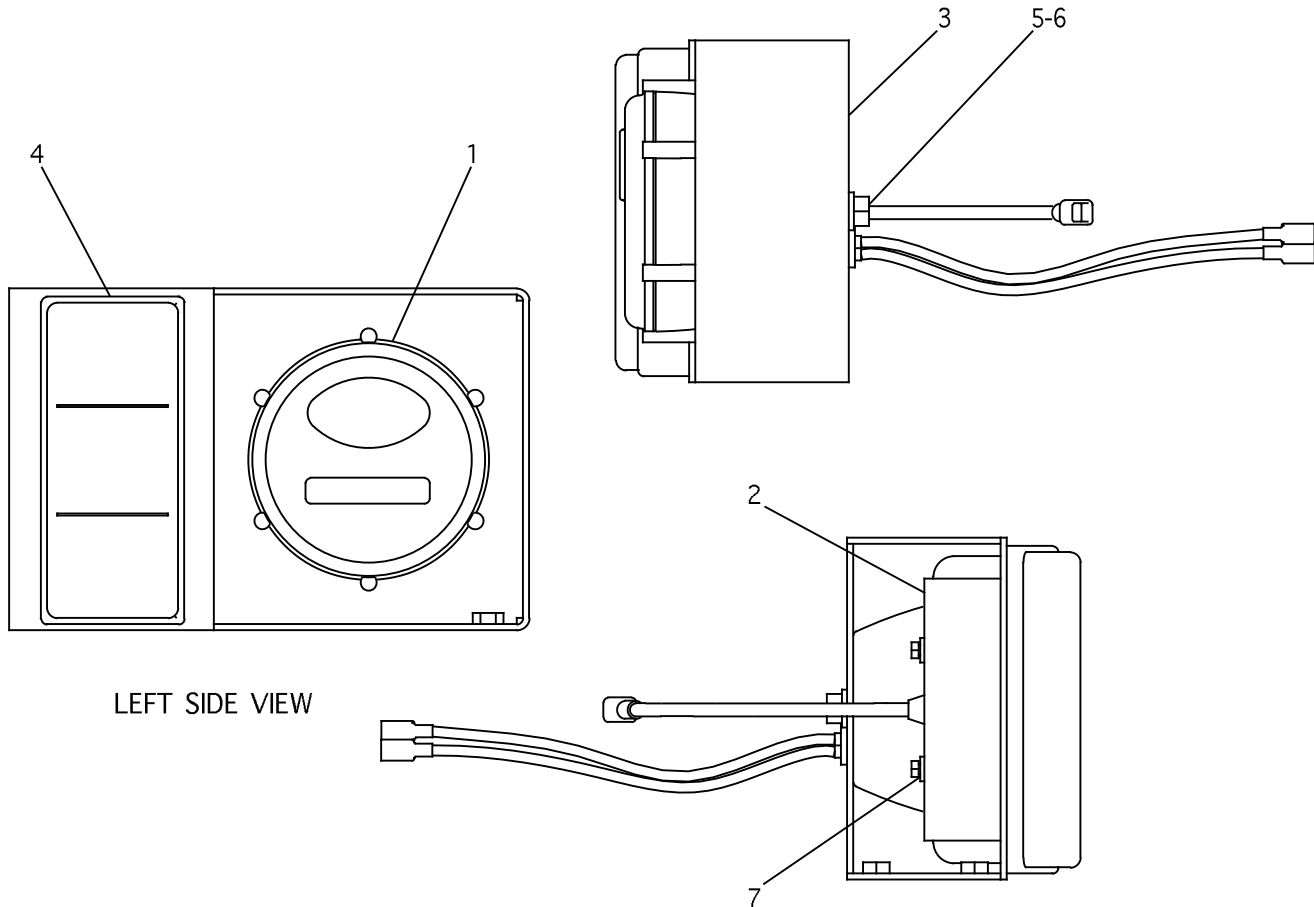
RIGHT SIDE VIEW

NOTE	REF NO	PART NUMBER	QTY	PART NAME	NOTE	REF NO	PART NUMBER	QTY	PART NAME
Y	1	5R6748	1	LIGHT AS					
		1779102	1	LAMP-BLACKOUT					
		1779103	1	LAMP-BLACKOUT					
	2	1448570	1	CLAMP					
	3	1448615	1	BRACKET AS					
		6V9632	4	NUT-WELD					
	4	1495534	1	LAMP GP-SIGNAL					
	5M3062	2	BOLT (3/8)						
	8T4896	2	WASHER-HARD						
	9X8256	2	WASHER						

Y - SEPARATE ILLUSTRATION

1450020 LIGHTING GP
 1495534-Page 140
 Part of 1450022 Lighting Gp-Road

ELECTRICAL AND STARTING SYSTEM

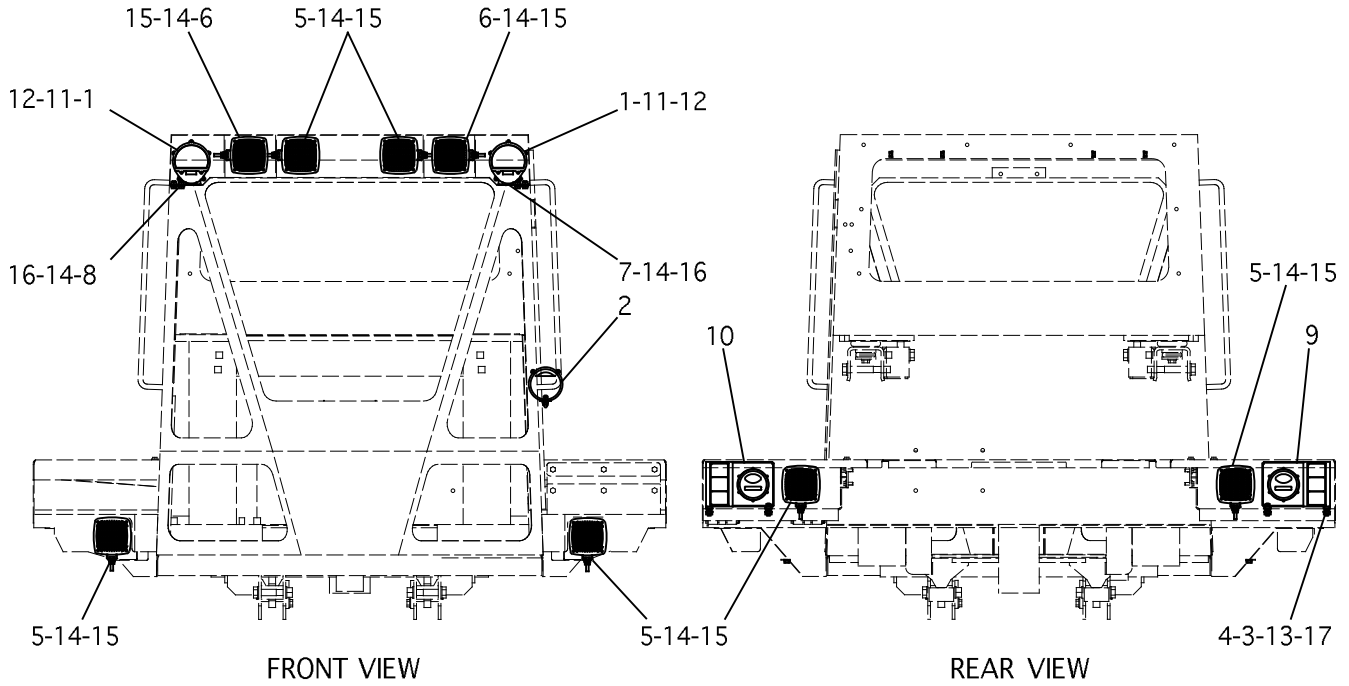


NOTE	REF NO	PART NUMBER	QTY	PART NAME	NOTE	REF NO	PART NUMBER	QTY	PART NAME
Y	1	5R6748	1	LIGHT AS					
		1779102	1	LAMP-BLACKOUT					
		1779103	1	LAMP-BLACKOUT					
	2	1448570	1	CLAMP					
	3	1448616	1	BRACKET AS					
		6V9632	4	NUT-WELD					
	4	1495535	1	LAMP GP-SIGNAL					
	5M3062	2	BOLT (3/8)						
	8T4896	2	WASHER-HARD						
	9X8256	2	WASHER						

Y - SEPARATE ILLUSTRATION

1450021 LIGHTING GP
 1495535-Page 141
 Part of 1450022 Lighting Gp-Road

ELECTRICAL AND STARTING SYSTEM



NOTE	REF NO	PART NUMBER	QTY	PART NAME	NOTE	REF NO	PART NUMBER	QTY	PART NAME
	1	4R8045	2	LIGHT AS		17	9X6165	16	WASHER
		1779104	1	LAMP-BLACK OUT					
		1779105	1	LAMP-BLACK OUT					
		1779106	1	LAMP-BLACK OUT					
	2	5R6749	1	LAMP AS-BLACKOUT					
		5R7372	1	LAMP-BLACK OUT					
	3	8C5607	16	MOUNT					
	4	8C5608	8	SPACER					
Y	5	9X1439	6	LAMP GP-FLOOD					
Y	6	9X7169	2	LAMP GP-HEAD					
	7	1303276	1	BRACKET AS					
		8T3490	3	NUT-WELD					
	8	1303277	1	BRACKET AS					
Y	9	1450020	1	LIGHTING GP					
Y	10	1450021	1	LIGHTING GP					
	11	5M3062	4	BOLT					
	12	5P1075	4	WASHER-HARD					
	13	8C8451	8	BOLT					
	14	8T4121	14	WASHER-HARD					
	15	8T4133	8	NUT					
	16	8T4137	6	BOLT					

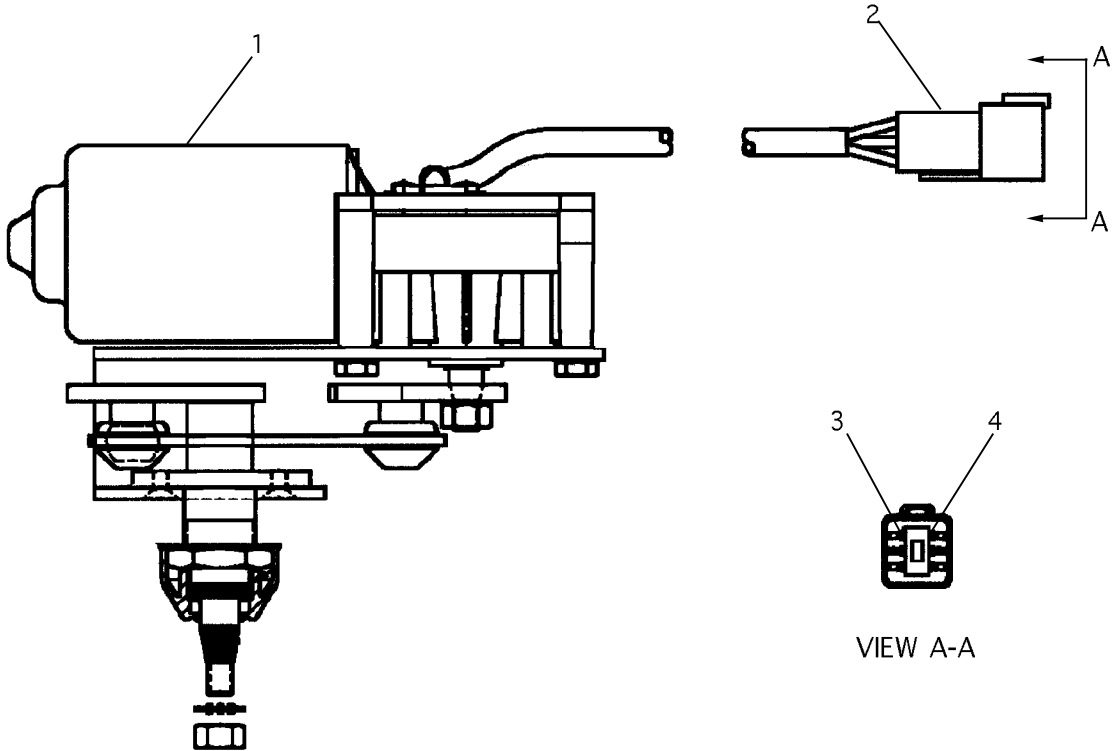
Y - SEPARATE ILLUSTRATION

1450022 LIGHTING GP-ROAD

9X1439-Page 138, 9X7169-Page 139, 1450020-Page 142, 1450021-Page 143

Part of 1447169 Electrical Ar

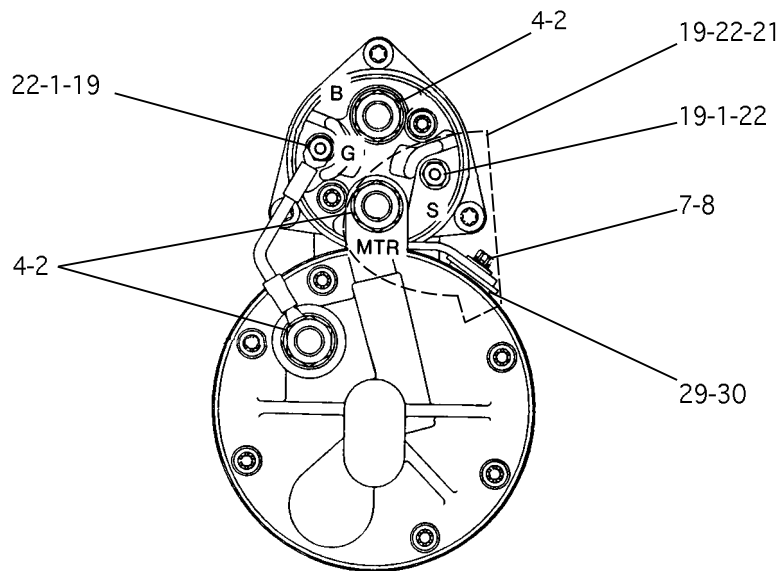
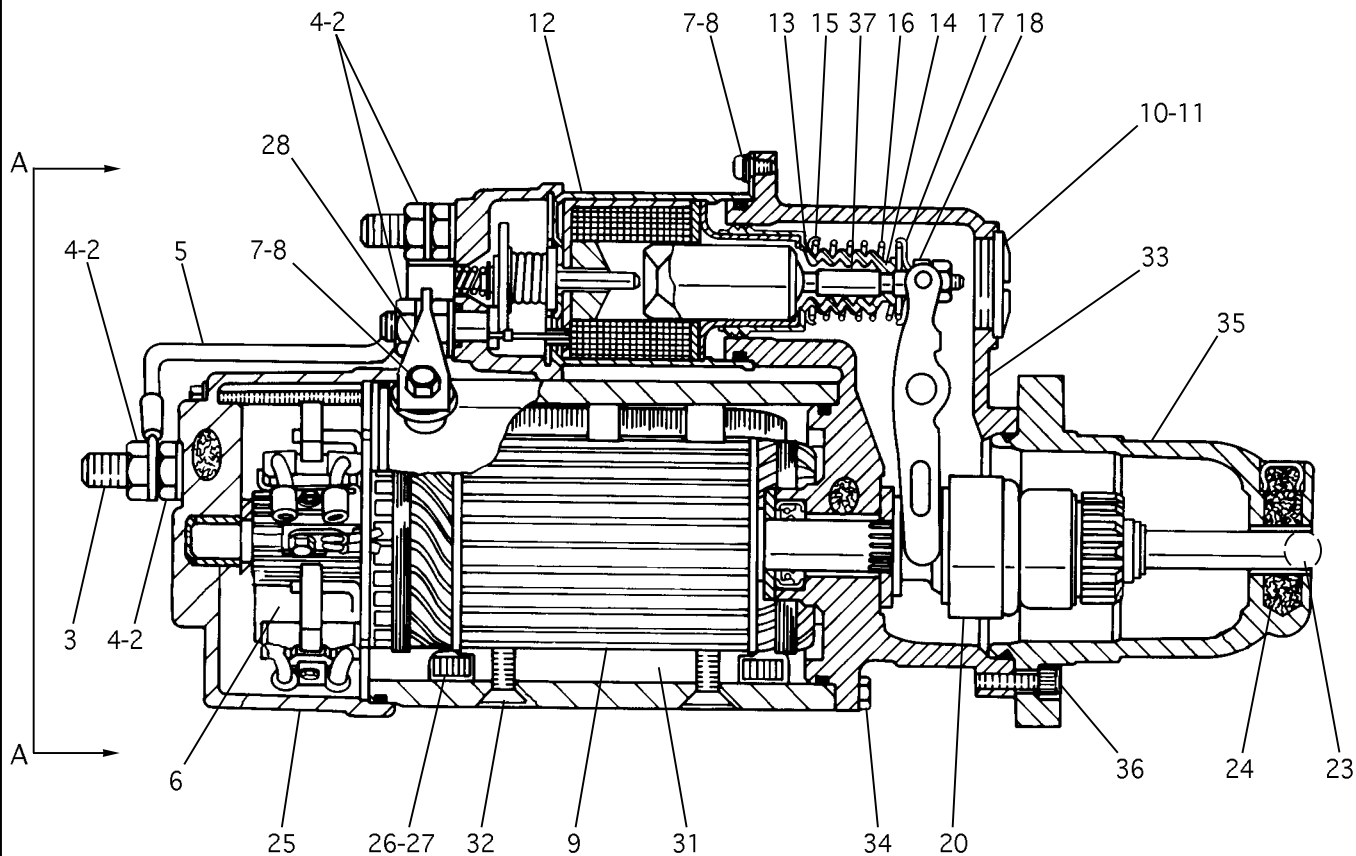
ELECTRICAL AND STARTING SYSTEM



NOTE	REF NO	PART NUMBER	QTY	PART NAME	NOTE	REF NO	PART NUMBER	QTY	PART NAME
	1	1477977	1	MOTOR GP-COMPACT					
	2	1028805	1	RECEPTACLE KIT					
		3E3382	1	RECEPTACLE AS					
		3E3383	1	WEDGE-RECEP LOCK					
	3	8T8729	5	PIN-CONNECTOR					
	4	9G3695	1	PLUG-SEALING					

1477977 MOTOR GP-WIPER
Part of 1426037 Cover Gp-Wiper Motor

ELECTRICAL AND STARTING SYSTEM



VIEW A-A

1452413 MOTOR GP-ELECTRIC
Part of 1491125 Motor Gp-Electric Starting

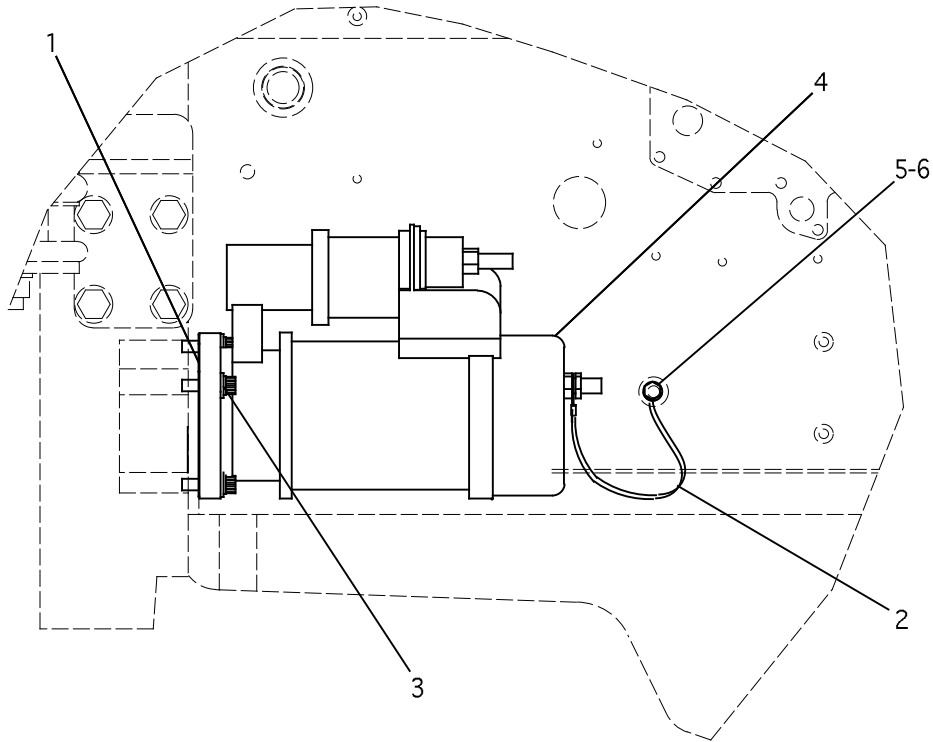
ELECTRICAL AND STARTING SYSTEM

NOTE	REF NO	PART NUMBER	QTY	PART NAME	NOTE	REF NO	PART NUMBER	QTY	PART NAME
	1	8F1434	2	LOCKWASHER (#10)				1	GASKET
	2	6V8188	4	NUT-FULL (1/2)				1	SEAL-O-RING (OD 63.8)
	3	8T8566	1	TERMINAL AS				6	SCREW AS
	4	7X0562	4	WASHER-HARD				1	WASHER (OD 30.5)
	5	3T3422	1	WIRE AS-STARTER				1	WASHER (OD 48.3)
D		5P5621	1	WIRE-ELECTRICAL				1	WASHER (OD 43.7)
		2L8066	1	TERMINAL (4.83 MM SCREW)				1	NUT (5/16-24)
D		5P6006	1	TUBE-SHRINKABLE			7T3268	1	LEVER KIT-STARTER
		2L8071	1	TERMINAL (12.70 MM SCREW)				1	LEVER AS
	6	7T3278	1	HOLDER AS-BRUSH				1	SEAL-O-RING (OD 87.0)
	7	5S7349	4	BOLT (1/4)				1	PLUNGER AS
	8	8T4205	4	WASHER-HARD				1	NUT
	9	7T3276	1	ARMATURE AS-24 VOLT				1	SEAL-FLAT
	10	4M1831	1	PLUG-STARTER				1	SEAL-O-RING (OD 63.5)
	11	7L2894	1	GASKET				1	RETAINING RING
	12	9X9511	1	SOLENOID AS			8T9884	1	INSULATOR KIT
	13	0369821	1	WASHER				1	INSULATOR-SQUARE
	14	7T3269	1	BOOT				1	INSULATOR (OD 16.9)
	15	4M1828	1	RETAINER-SPRING				1	INSULATOR (OD 30.1)
	16	9M7609	1	SPRING				1	BUSHING
	17	4M1827	1	RETAINER-SPRING			8C3655	1	BRUSH KIT
	18	2H3429	1	RING-RETAINING				4	BRUSH
	19	4B2049	3	NUT (#10)				4	SPRING
	20	6N3827	1	DRIVE AS-MOTOR				4	SCREW (#8-32)
	21	9X4824	1	COVER-STARTER				1	SEAL
	22	8T0328	3	WASHER-HARD				6	SCREW AS (#10-32)
	23	9F2247	1	PLUG-PIPE					
	24	9F2547	1	WICK-STARTER					
	25	7T3279	1	HOUSING AS					
	26	7T3277	1	COIL AS-FIELD					
	27	7T3454	1	INSULATOR					
	28	7T3271	1	CONNECTOR					
	29	8T8569	1	INSULATOR-TERM (12.97 MM)					
	30	7T3451	1	INSULATOR-TERM (13.5 MM)					
	31	8H1141	4	SHOE-POLE					
	32	3F0379	8	SCREW-MACHINE (3/8)					
	33	3E7775	1	HOUSING AS					
	34	0369823	5	BOLT (1/4)					
	35	1490283	1	HOUSING AS					
	36	7X3373	6	BOLT (5/16)					
	37	7T3270	1	PLUNGER AS					
				THE FOLLOWING REPAIR KITS ARE AVAILABLE:					
		7T3267	1	BUSHING KIT					
			1	BUSHING (LG 19.1)					
			1	BUSHING (LG 25.0)					
			2	WICK (DIA 12.0)					
			2	CUP (OD 14.5)					
			1	BUSHING (LG 22.4)					
			1	WICK (DIA 13.7)					
			1	CUP (OD 16.1)					
			1	SEAL					
			1	SEAL-O-RING (OD 125.6)					
			1	SEAL-O-RING (OD 111.4)					
			1	SEAL-O-RING (OD 87.5)					

D - ORDER BY THE METER

1452413 MOTOR GP-ELECTRIC
Part of 1491125 Motor Gp-Electric Starting

ELECTRICAL AND STARTING SYSTEM



NOTE	REF NO	PART NUMBER	QTY	PART NAME	NOTE	REF NO	PART NUMBER	QTY	PART NAME
E RY M M	1	3K3257	1	GASKET					
	2	5Y1423	1	WIRE AS					
		1S7251	1	TERMINAL-RING (1 1/2 INCH)					
		1S7252	1	TERMINAL-RING (1 3/8 INCH)					
		5P0747	33	WIRE-STARTER					
		3	1087808	3	BOLT-12 POINT HEAD				
	4	1452413	1	MOTOR GP-ELECTRIC					
	5	8T4200	1	BOLT (M8)					
	6	8T4224	1	WASHER-HARD (M8)					

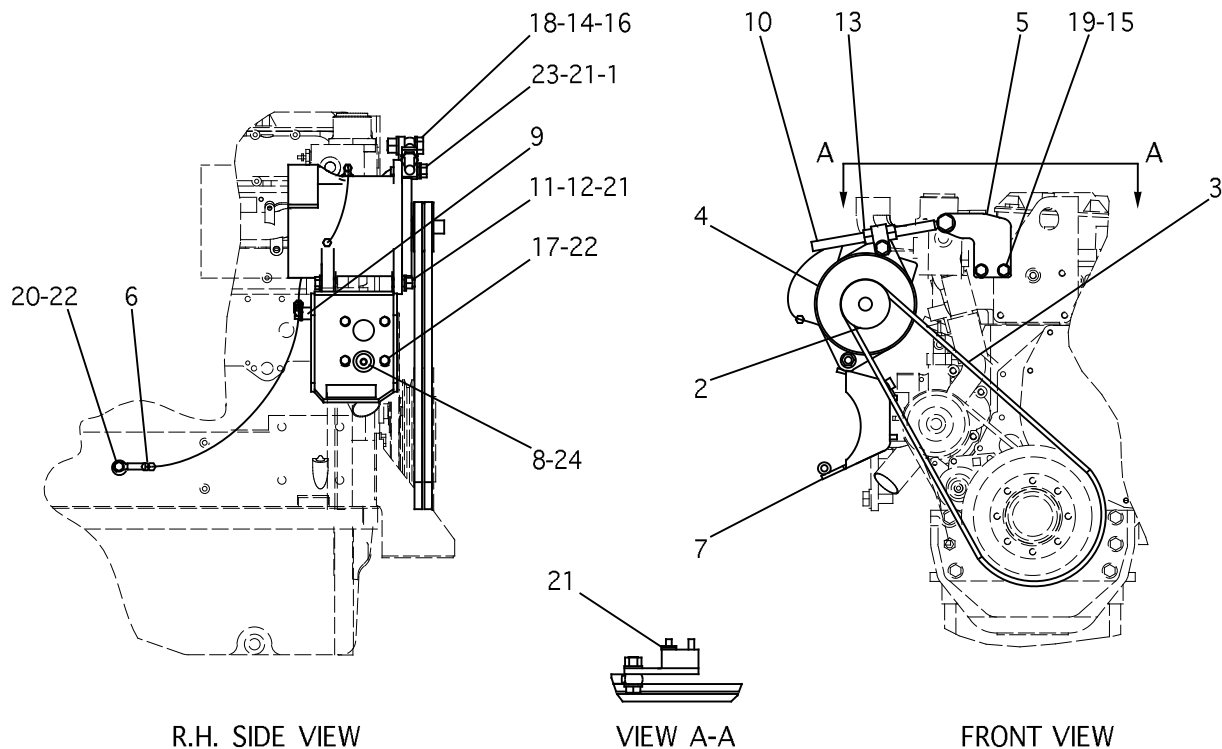
E - ORDER BY THE CENTIMETER
M - METRIC PART
R - REMFG PART MAY BE AVAILABLE
Y - SEPARATE ILLUSTRATION

1491125 MOTOR GP-ELECTRIC STARTING

1452413-Page 146

Part of 1447163 Installation Ar

ELECTRICAL AND STARTING SYSTEM



NOTE	REF NO	PART NUMBER	QTY	PART NAME	NOTE	REF NO	PART NUMBER	QTY	PART NAME
	1	1805923	1	BLOCK	M	18	8T4193	1	BOLT (M16)
	2	9L1080	1	PULLEY	M	19	8T4195	2	BOLT (M10)
	3	9L1127	1	BELT SET-VEE	M	20	8T4200	1	BOLT (M8)
		9L1128	2	VEE-BELT	M	21	8T4223	6	WASHER-HARD (M12)
Y	4	9X7803	1	ALTERNATOR GP	M	22	8T4224	5	WASHER-HARD (M8)
	5	1293062	1	MOUNT		23	8C4436	1	BOLT-HEX
	6	1302784	1	CABLE AS		24	9S8005	1	PLUG
		2L0273	1	NIPPLE					
E		8C0596	1	CABLE					
	7	1302790	1	BRACKET AS-ALT					
		9R2821	1	BOSS					
	8	3K0360	1	SEAL-O-RING (ORB-OD 20.8)					
	9	4D7794	1	CLIP					
	10	4S5780	1	ROD (5/8)					
	11	9X0941	1	LOCKNUT					
	12	7X0340	1	BOLT-HEX (1/2)					
	13	7X0448	2	NUT-FULL (5/8)					
M	14	9X8257	2	WASHER (M16)					
M	15	8T4121	2	WASHER-HARD (M10)					
	16	1765311	1	LOCKNUT					
M	17	8T4189	4	BOLT (M8)					

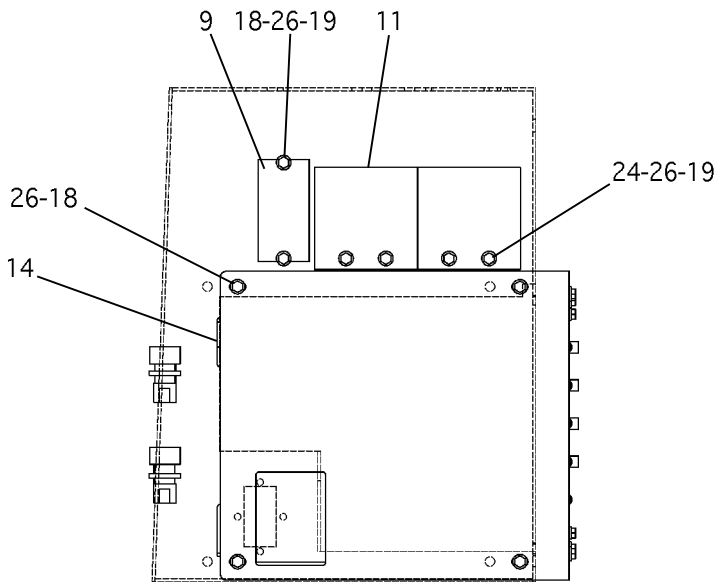
E - ORDER BY THE CENTIMETER
M - METRIC PART
Y - SEPARATE ILLUSTRATION

1302789 MOUNTING GP-ALTERNATOR

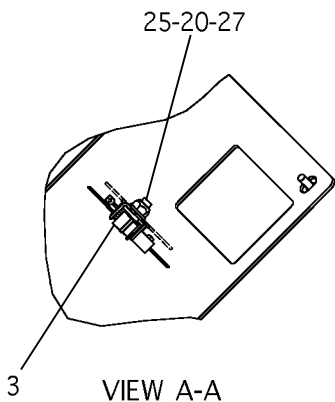
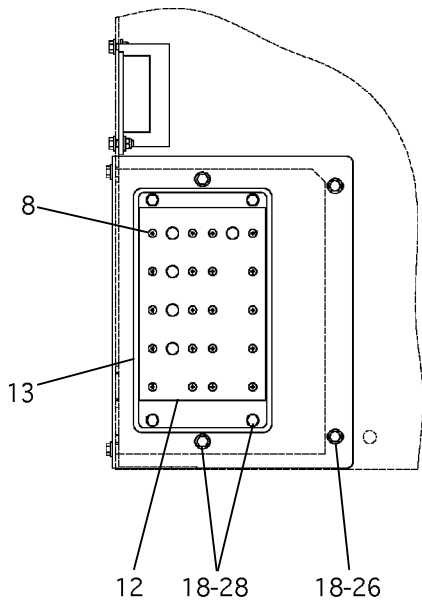
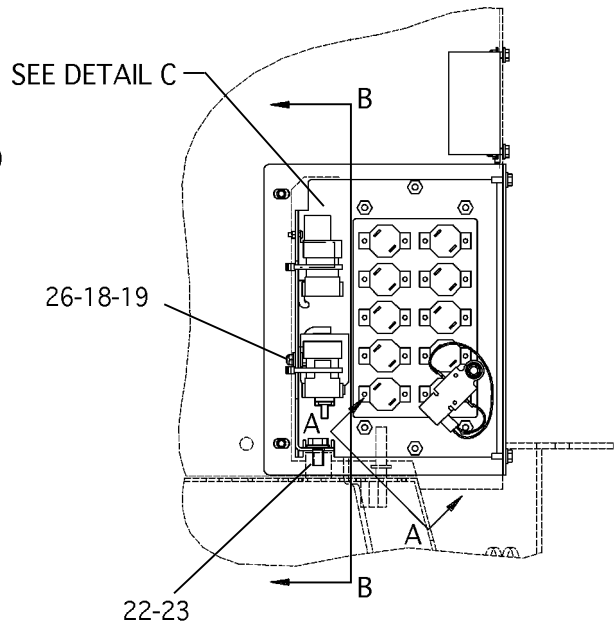
9X7803-Page 132

Part of 1447163 Installation Ar

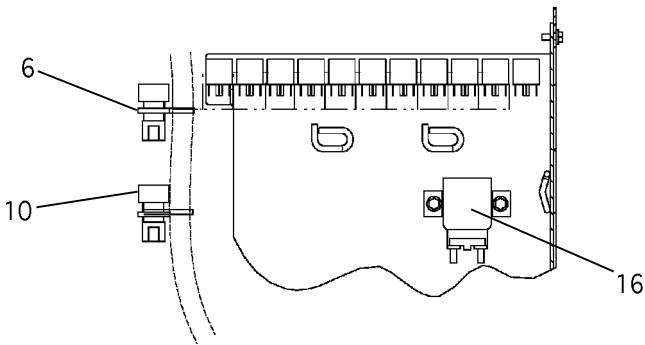
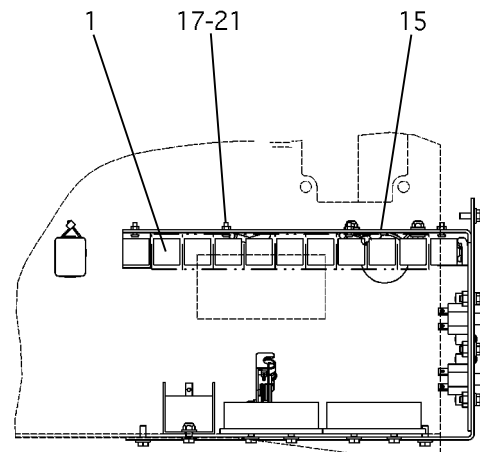
ELECTRICAL AND STARTING SYSTEM



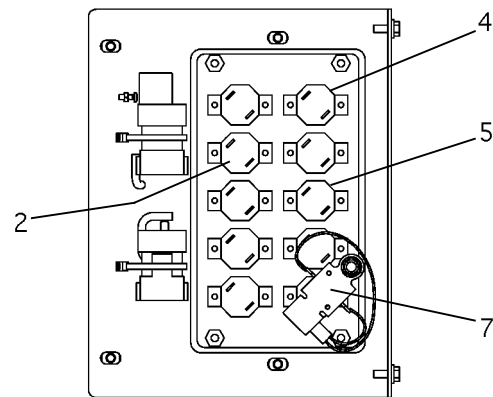
FRONT VIEW OF CAB
R. H. CONSOLE



VIEW A-A



SECTION B-B



DETAIL C

1245857 PANEL GP-BREAKER
Part of 1447169 Electrical Ar

ELECTRICAL AND STARTING SYSTEM

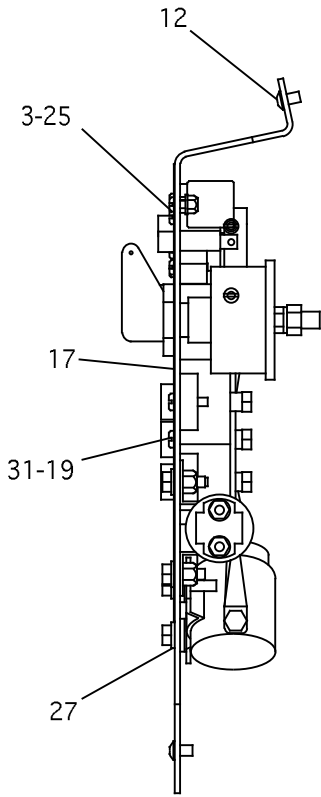
NOTE	REF NO	PART NUMBER	QTY	PART NAME	NOTE	REF NO	PART NUMBER	QTY	PART NAME
	1	3E6477	11	RELAY AS		20	6V9189	1	LOCKNUT
	2	3T2662	2	BREAKER AS-CKT (15 AMP)	M	21	7Y3173	4	SCREW-BUTTON HD (M4)
		6V8376	2	SCREW-MACHINE		22	8T4121	2	WASHER-HARD
		9B7233	2	LOCKWASHER	M	23	8T4137	2	BOLT-HEX HEAD (M10)
	3	3T3437	1	RESISTOR AS	M	24	8T4138	4	BOLT-HEX HEAD (M6)
		3T3270	1	WIRE AS		25	8T4189	1	BOLT-HEX HEAD
		7N7779	1	SOCKET-CONNECTOR		26	8T4205	24	WASHER-HARD
		7N7780	1	PIN-CONNECTOR		27	8T4224	2	WASHER-HARD
		7N9737	1	HOUSING-PLUG		28	9X8256	4	WASHER
		3T3272	1	CLIP					
	4	3T8728	2	BREAKER AS-CKT (20 AMP)					
		6T3644	1	BREAKER AS-CKT					
		6V8376	2	SCREW-MACHINE					
		9B7233	2	LOCKWASHER					
	5	6N8589	3	BREAKER AS-CKT (15 AMP)					
		6T3643	1	BREAKER AS-CKT					
		6V8376	2	SCREW-MACHINE					
		9B7233	2	LOCKWASHER					
	6	7K1181	2	STRAP-CABLE					
	7	9G9882	3	BREAKER AS-CKT (10 AMP)					
		6V8376	2	SCREW-MACHINE					
		9B7233	2	LOCKWASHER					
	8	9X8486	20	SCREW-MACHINE (#8-32)					
	9	1080358	1	FLASHER AS-ELECTRIC					
	10	1124735	2	CONTROL GP					
		1028801	1	RECEPTACLE KIT					
		3E5180	1	WEDGE-RECP LOCK					
D		5P5624	1	WIRE-ELECTRICAL					
		9W0852	12	PIN-CONNECTOR					
	11	1179364	2	CONTROL GP					
		1036262	2	SCREW-MACHINE					
		1028805	1	RECEPTACLE KIT					
		3E3382	1	RECEPTACLE AS					
		3E3383	1	WEDGE-LOCK					
D		5P5677	1	WIRE-ELECTRICAL					
		7G0020	2	RESISTOR					
		8T8729	6	PIN-CONNECTOR					
E		9X1813	15	SLEEVE (BULK)					
	12	1402400	1	FILM-INSTRUCTION (CKT BREAKER)					
	13	1452297	1	PLATE					
	14	1452298	1	PLATE					
	15	1452299	1	PLATE AS					
		6V9632	6	NUT-WELD					
		7T1099	3	LINK					
	16	1670138	1	SWITCH AS-MAGC					
		1028807	1	PLUG KIT-CONN					
		3E3361	1	PLUG AS-CONN					
		3E3362	1	WEDGE-PLUG LOCK					
		1028812	1	SEAL-INTERFACE					
		3E3362	1	WEDGE-PLUG LOCK					
		4F2294	2	NUT-JAM (4.76 MM HGT)					
		6V8186	2	NUT-FULL (6.75 MM HGT)					
		8T8730	2	SOCKET-CONNECTOR					
M	17	5C8312	4	NUT-FULL (M4)					
M	18	5C9553	16	BOLT-HEX HEAD (M6)					
M	19	6V7743	8	LOCKNUT (M6)					

D - ORDER BY THE METER
 E - ORDER BY THE CENTIMETER
 M - METRIC PART

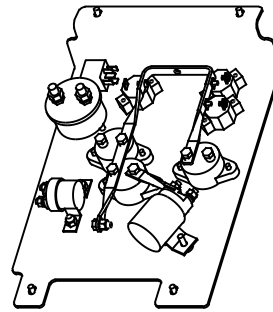
1245857 PANEL GP-BREAKER

Part of 1447169 Electrical Ar

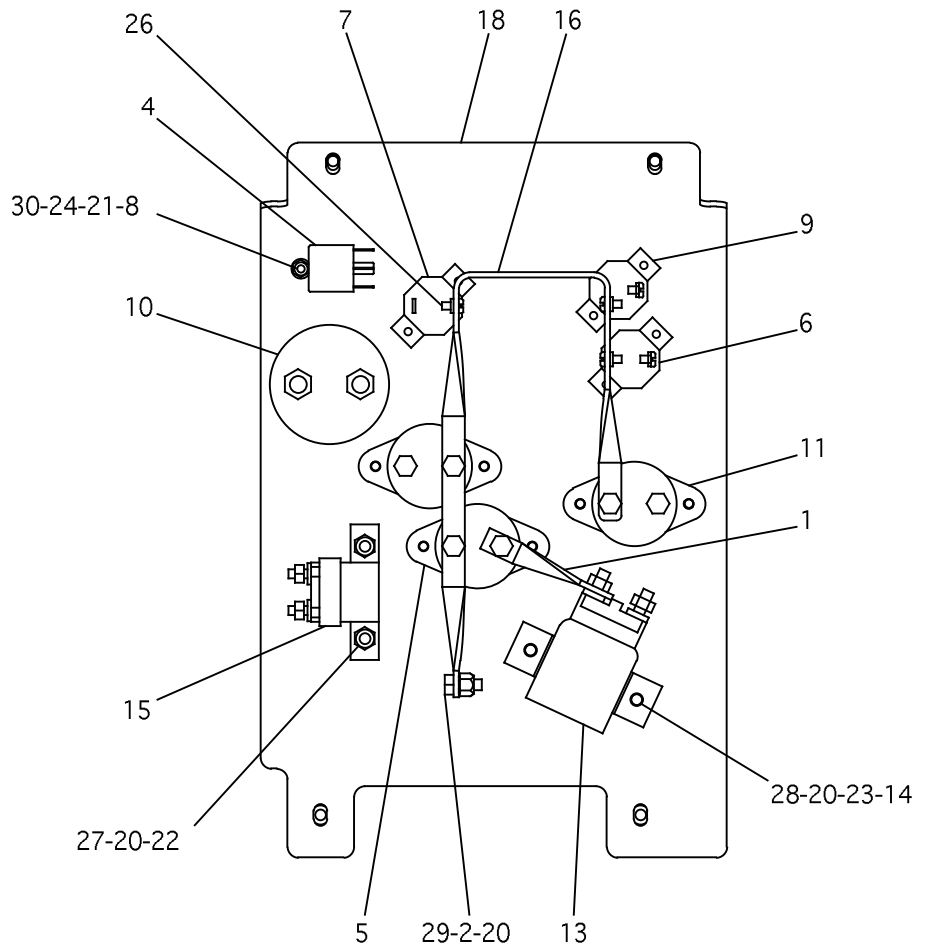
ELECTRICAL AND STARTING SYSTEM



SIDE VIEW OF PANEL



PICTORIAL VIEW



BACK VIEW OF PANEL

1470720 PANEL GP-BREAKER
Part of 1447169 Electrical Ar

ELECTRICAL AND STARTING SYSTEM

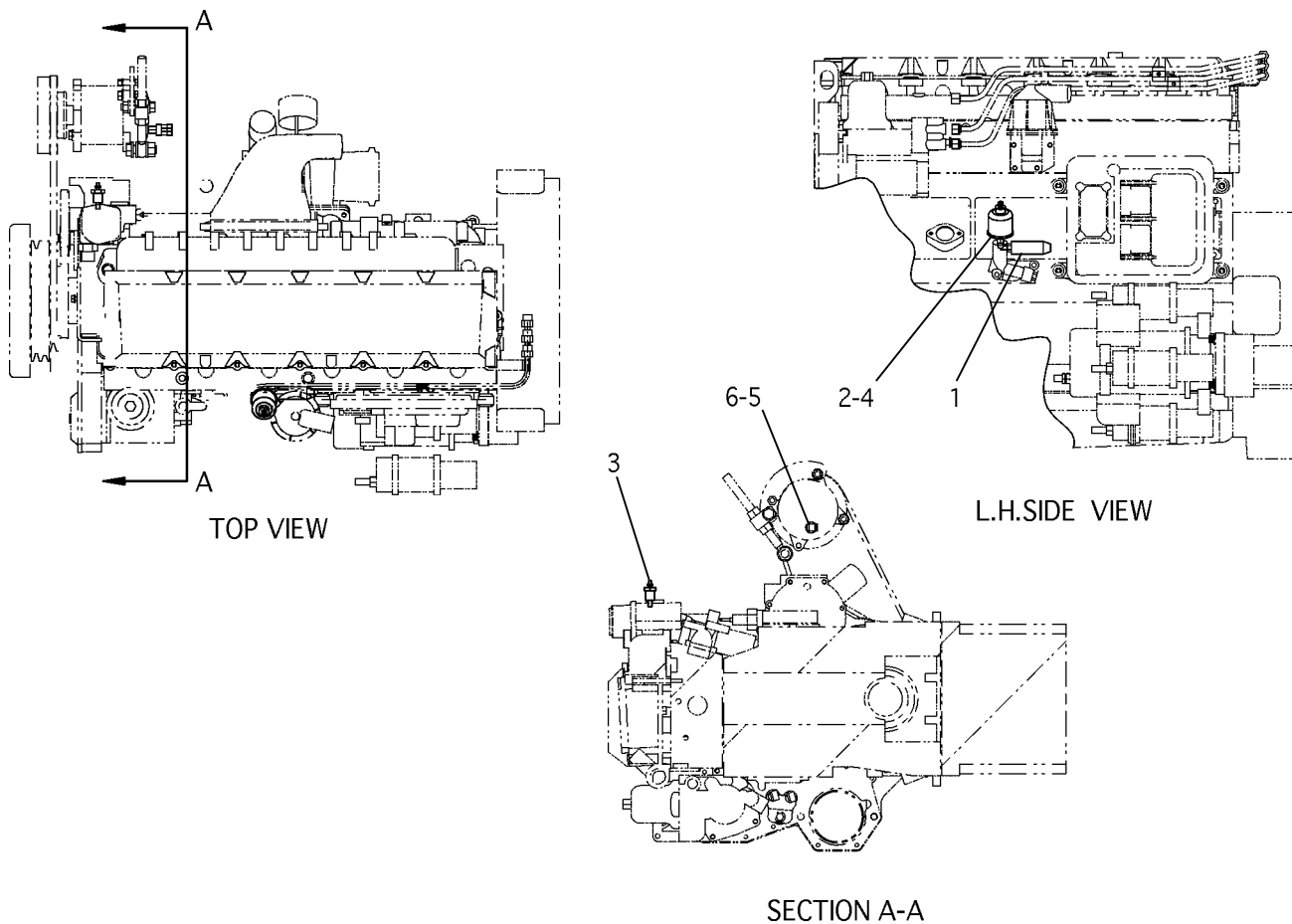
NOTE	REF NO	PART NUMBER	QTY	PART NAME	NOTE	REF NO	PART NUMBER	QTY	PART NAME
	1	1G9230	1	BUS-BAR					
	2	1H3338	1	LOCKWASHER-TOOTH (1/4)					
	3	1H4393	6	LOCKWASHER (#8)					
	4	3E6477	1	RELAY AS					
	5	3E7294	2	BREAKER AS-CKT (105 AMP)					
		1H3244	2	LOCKWASHER (1/4)					
		6V8187	2	NUT-FULL					
		8T4205	2	WASHER-HARD					
	6	6N8589	1	BREAKER AS-CKT (15 AMP)					
	7	6N9349	1	BREAKER AS-CKT (30 AMP)					
		6V8376	2	SCREW-MACHINE					
		9B7233	2	LOCKWASHER					
	8	7S1197	1	SCREW-MACHINE (8/32)					
	9	6T3642	1	BREAKER AS-CKT (10 AMP)					
	10	9H2082	1	SWITCH AS					
		2H3922	1	LOCKWASHER (3/4)					
		5L7200	1	SCREW-HEAD					
		6F7045	2	NUT-FULL (3/8-24)					
		8F3437	1	LEVER-SWITCH					
		8H5303	1	NUT-HEX (3/4-16)					
		9B7233	1	LOCKWASHER					
		9F5644	2	LOCKWASHER (3/8)					
	11	9S4693	1	BREAKER AS-CKT (80 AMP)					
		1H3244	2	LOCKWASHER (1/4)					
		6V8187	2	NUT-FULL					
		8T4205	2	WASHER-HARD					
M	12	0898034	4	SCREW-BUTTON HEAD (M6)					
	13	1670138	1	SWITCH AS-MAGC					
		3E3362	1	WEDGE-PLUG LOCK					
		4F2294	2	NUT-JAM (4.67 MM HGT)					
		6V8186	2	NUT-FULL (6.76 MM HGT)					
		8T8730	2	SOCKET-CONNECTOR					
	14	1160118	2	CLIP					
	15	1183534	1	SWITCH AS-MAGC					
		3E3363	1	RECEPTACLE AS					
		3E3365	1	WEDGE-RECEP LOCK					
		5C2890	2	NUT-HEX					
		8T8729	2	PIN-CONNECTOR					
E		9X1386	16	SLEEVE (BULK)					
		1179081	1	SWITCH AS-MAGC					
	16	1339346	1	BAR-BUSS					
	17	1402398	1	FILM-INSTRUCTION (CKT BREAKER)					
	18	1458635	1	PLATE					
	19	0301193	6	SCREW-MACHINE (10/32)					
	20	3E9865	5	LOCKNUT					
	21	4B4863	1	WASHER					
	22	4M5281	2	BOLT (1/4 NC)					
	23	5P4115	2	WASHER					
	24	6D5801	1	NUT (8/32)					
	25	7S4338	6	SCREW-MACHINE (8/32)					
	26	8C8514	3	SCREW-MACHINE (8/32)					
	27	8T4205	6	WASHER-HARD (1/4)					
	28	8T8908	2	BOLT (1/4-20)					
	29	8T9364	1	BOLT (1/4-20)					
	30	9F8125	7	LOCKWASHER-TOOTH					

E - ORDER BY THE CENTIMETER
M - METRIC PART

1470720 PANEL GP-BREAKER

Part of 1447169 Electrical Ar

ELECTRICAL AND STARTING SYSTEM



NOTE	REF NO	PART NUMBER	QTY	PART NAME	NOTE	REF NO	PART NUMBER	QTY	PART NAME
	1	3E6436	1	SWITCH AS-PRESS					
		1028803	1	RECEPTACLE KIT					
		3E3370	1	RECEPTACLE AS					
		3E3371	1	WEDGE-RECP LOCK					
		8T8729	3	PIN-CONNECTOR					
	2	4M5317	1	BUSHING-REDUCING					
	3	6N5926	1	SENDER-TEMP					
	4	0302010	1	SENDER AS-PRESS					
		4B2049	1	NUT					
		8F1434	1	LOCKWASHER (#10)					
		8T0328	1	WASHER-HARD					
	5	1145333	1	SWITCH AS-PRESS					
		1028802	1	RECEPTACLE KIT					
		3E3365	1	WEDGE-RECEP LOCK					
		8T8729	2	PIN-CONNECTOR					
		3E3365	1	WEDGE-RECEP LOCK					
		8T8729	2	PIN-CONNECTOR					
	6	3J7354	1	SEAL-O-RING (ORB-OD 12.5)					

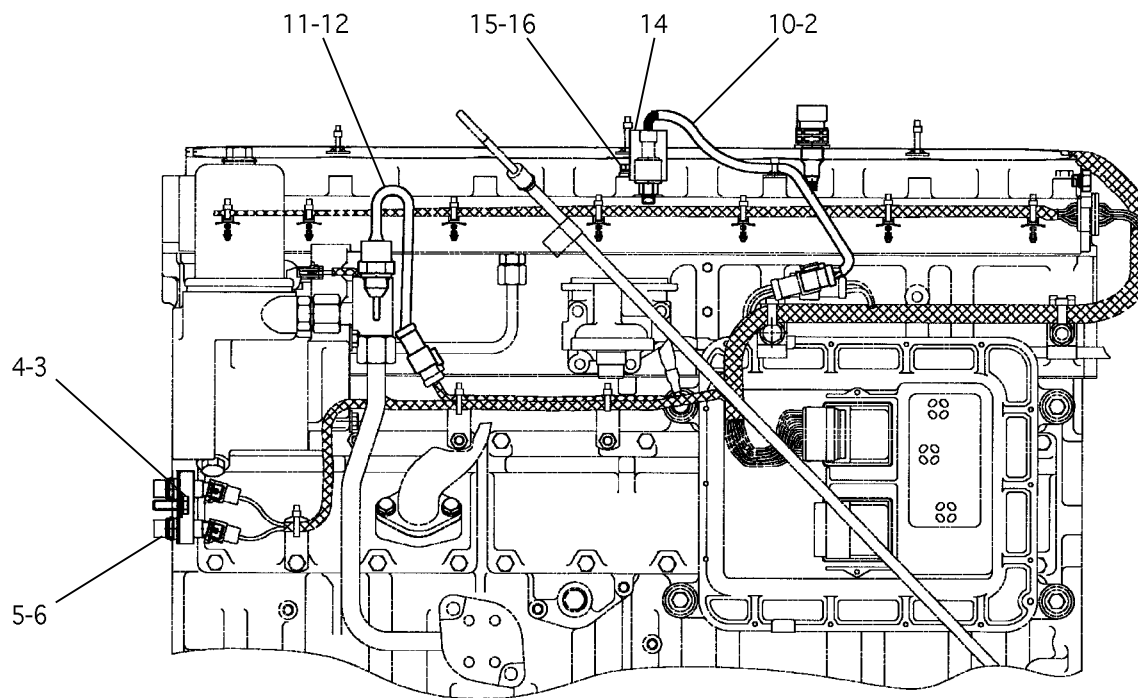
1501681 SENDER GP-TEMP & PRESS

Part of 1447169 Electrical Ar

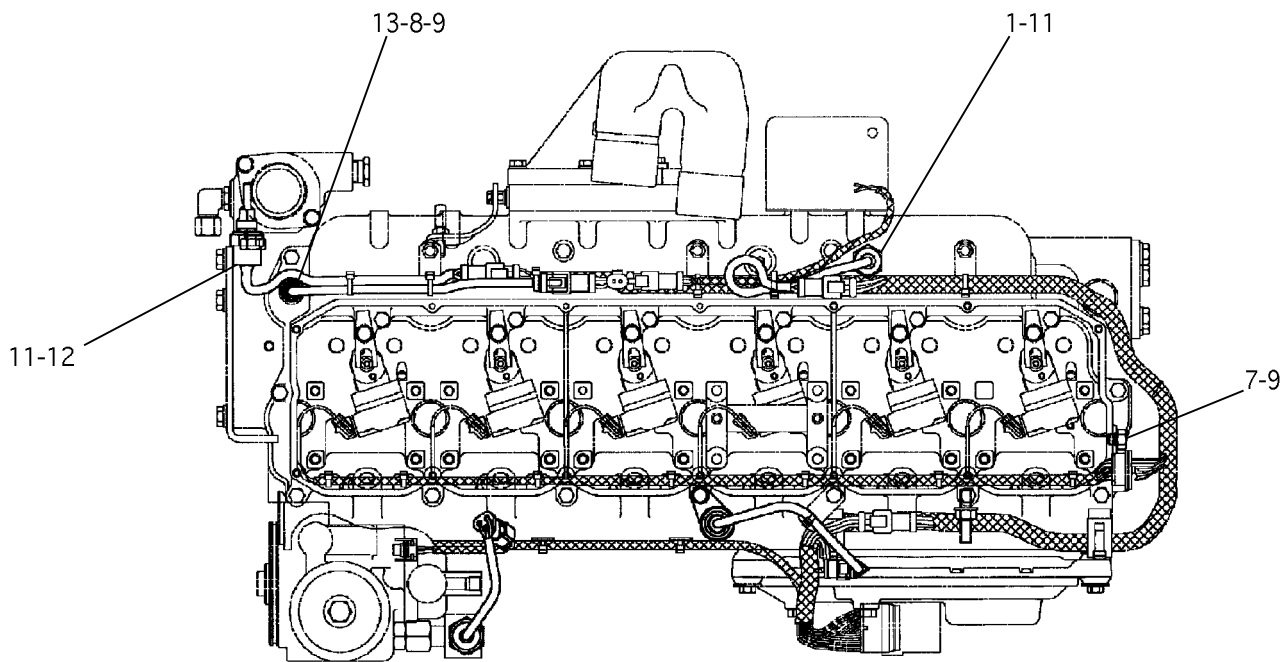
NOTES

A large, empty rectangular box with a black border, intended for handwritten notes.

ELECTRICAL AND STARTING SYSTEM



LEFT SIDE VIEW



TOP VIEW

1509573 SENSOR GP-TEMP & PRESS
Part of 1287367 Engine Ar-Basic

ELECTRICAL AND STARTING SYSTEM

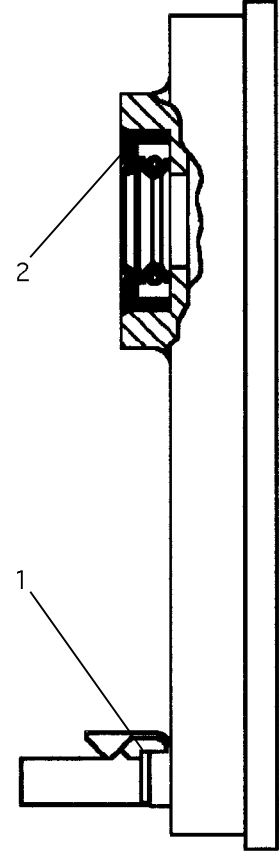
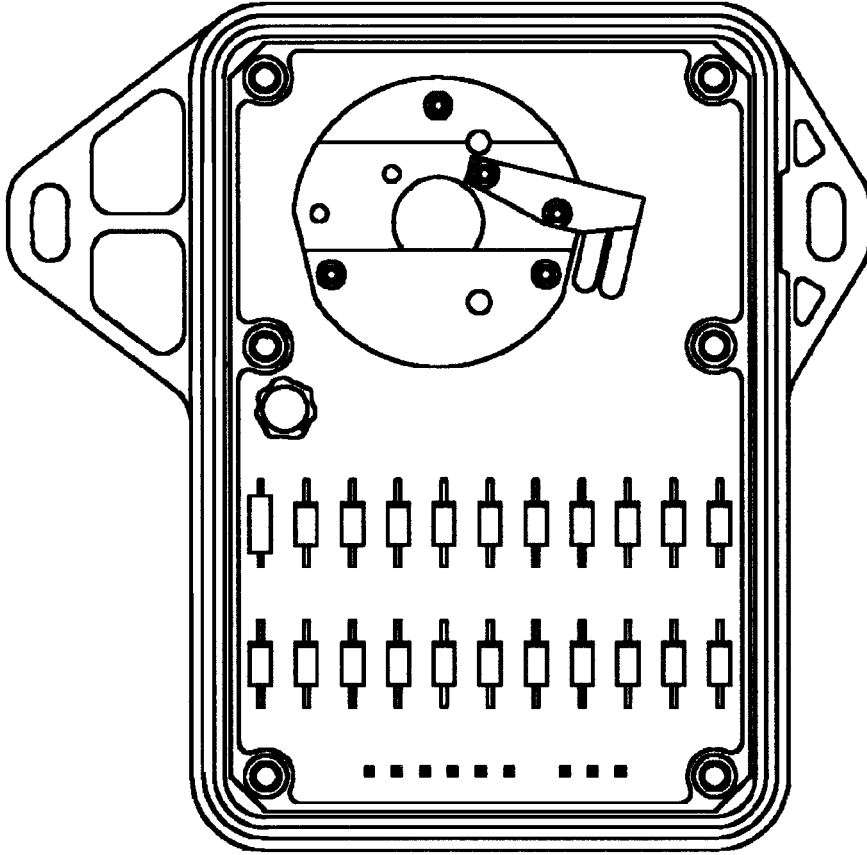
NOTE	REF NO	PART NUMBER	QTY	PART NAME	NOTE	REF NO	PART NUMBER	QTY	PART NAME
	1	1078618	1	SENSOR GP-TEMP					
		3E3371	1	WEDGE-RECP LOCK					
		8T8729	3	PIN-CONNECTOR					
		1079476	1	GROMMET					
E		1124550	31	SLEEVE (BULK)					
	2	1085803	1	SEAL-O-RING (OD 10.9)					
M	3	6V3940	1	BOLT (M8)					
	4	3E4352	1	WASHER-HARD					
	5	1194142	1	SENSOR GP-SPEED					
	6	1171385	2	SEAL-O-RING (OD 19.2)					
	7	9S4182	1	PLUG-O-RING					
	8	9X0262	1	ADAPTER (M,M-STOR)					
	9	3J7354	3	SEAL-O-RING (ORB-OD 12.5)					
	10	1403540	1	SENSOR GP-PRESS					
		3E3368	1	WEDGE-PLUG LOCK					
E		8T8730	3	SOCKET-CONNECTOR					
		9X1813	34	SLEEVE (BULK)					
	11	3K0360	3	SEAL-O-RING (ORB-OD 20.8)					
	12	1060735	2	SENSOR GP-ELEK					
		3E3371	1	WEDGE-RECP LOCK					
E		8T8729	3	PIN-CONNECTOR					
		9X1813	31	SLEEVE (BULK)					
		1060739	1	HOUSING					
	13	1619927	1	SENSOR GP-PRESS					
		3E3368	1	WEDGE-PLUG LOCK					
E		8T8730	3	SOCKET-CONNECTOR					
		9X1386	34	SLEEVE (BULK)					
		1028813	1	SEAL-INTERFACE					
	14	1438325	1	GUARD-SENSOR					
	15	9M1974	1	WASHER-HARD					
M	16	6V5222	1	BOLT (M8)					

E - ORDER BY THE CENTIMETER
M - METRIC PART

1509573 SENSOR GP-TEMP & PRESS

Part of 1287367 Engine Ar-Basic

ELECTRICAL AND STARTING SYSTEM



NOTE	REF NO	PART NUMBER	QTY	PART NAME	NOTE	REF NO	PART NUMBER	QTY	PART NAME
	1	7T7376	1	SPACER					
	2	8T8928	1	SEAL-LIP TYPE					

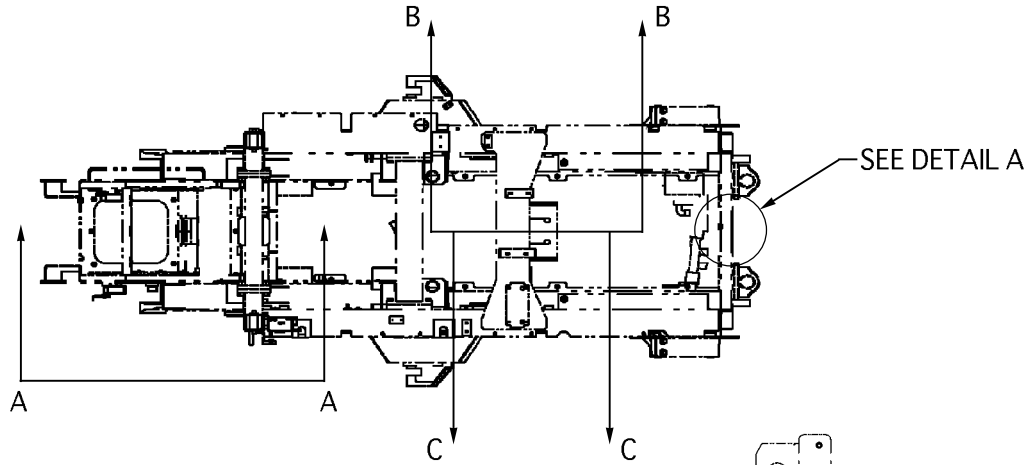
1267896 SENSOR GP-POSITION GEAR SELECT
 Part of 1450076 Control Gp-Trans Gear Selector

ELECTRICAL AND STARTING SYSTEM

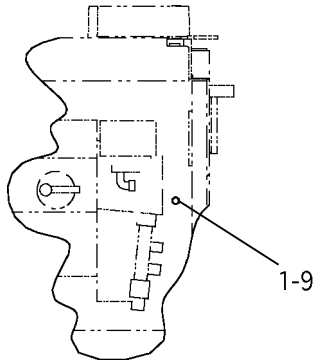
1	1447867	HEATER GP & MTG (OPTIONAL).....	66
1	1520463	WIRING GP & BATTERY (OPTIONAL-ARCTIC).....	164

1670604 STARTING KIT-COLD WEATHER (OPTIONAL)
Part of 1447169 Electrical Ar

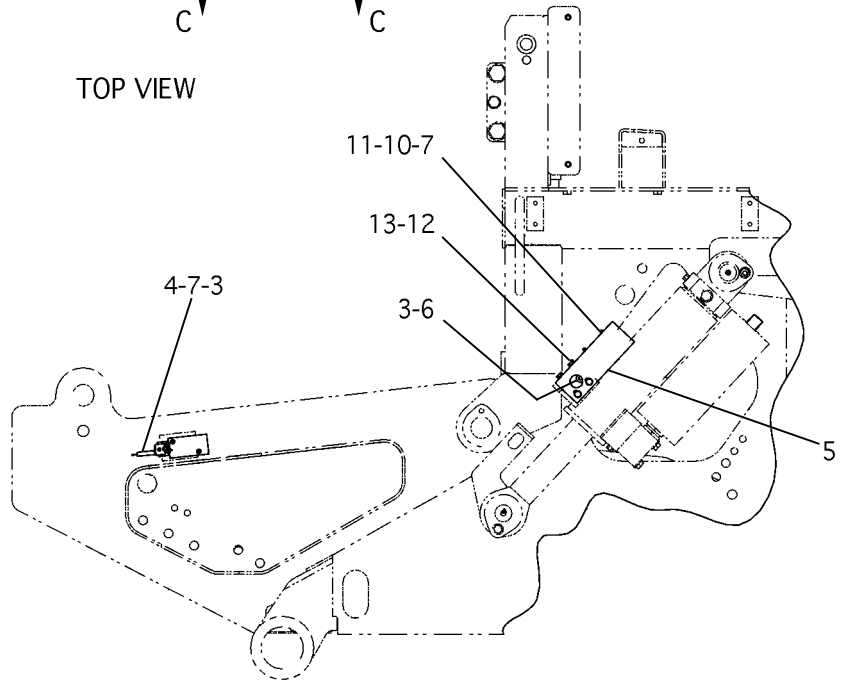
ELECTRICAL AND STARTING SYSTEM



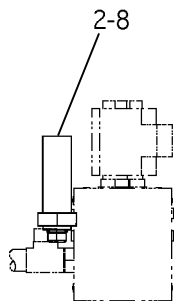
TOP VIEW



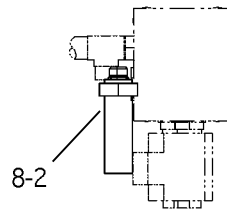
DETAIL A



SECTION A-A



SECTION B-B



SECTION C-C

1501683 SWITCH GP
Part of 1447169 Electrical Ar

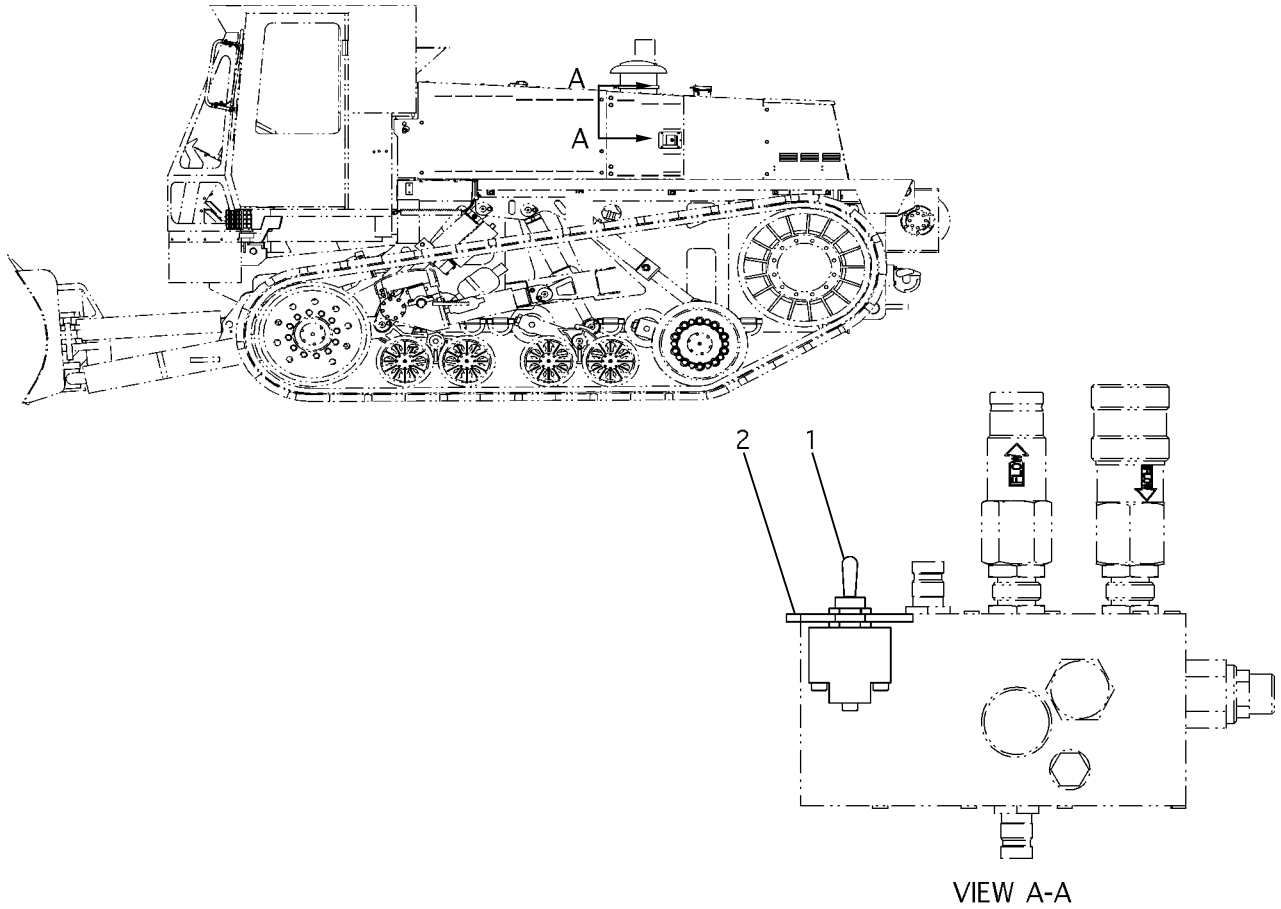
ELECTRICAL AND STARTING SYSTEM

NOTE	REF NO	PART NUMBER	QTY	PART NAME	NOTE	REF NO	PART NUMBER	QTY	PART NAME
	1	1440178	1	SENSOR GP-SPEED					
	2	3E7806	2	SWITCH AS-PRESS					
		3E3371	1	WEDGE-RECP LOCK					
		8T8729	3	PIN-CONNECTOR					
	3	1327081	2	SWITCH AS-LIMIT					
		3E3389	1	WEDGE-RECEP LOCK					
		8T8729	8	PIN-CONNECTOR					
		1028806	1	RECEPTACLE KIT					
		3E3388	1	RECEPTACLE AS					
		3E3389	1	WEDGE-RECP LOCK					
		1327082	1	HEAD-SW ACTUATOR					
		1327083	1	SWITCH AS-LIMIT					
	4	1501684	1	ACTUATOR					
	5	1501727	1	BRACKET					
	6	1503679	1	ACTUATOR					
M	7	1540172	4	BOLT-HEX SOCKET (M4)					
	8	3J1907	2	SEAL-O-RING (ORB-OD 15.9)					
	9	3K0360	1	SEAL-O-RING (ORB-OD 20.8)					
M	10	5C8312	2	NUT (M4)					
	11	8C9660	2	WASHER					
M	12	8T4200	4	BOLT (M8)					
	13	8T4224	4	WASHER-HARD					

M - METRIC PART

1501683 SWITCH GP
Part of 1447169 Electrical Ar

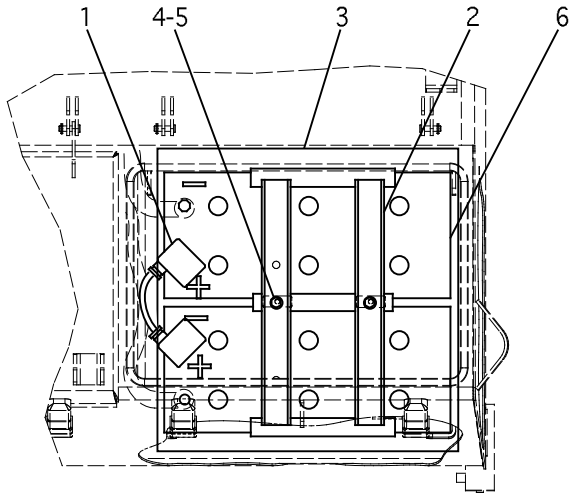
ELECTRICAL AND STARTING SYSTEM



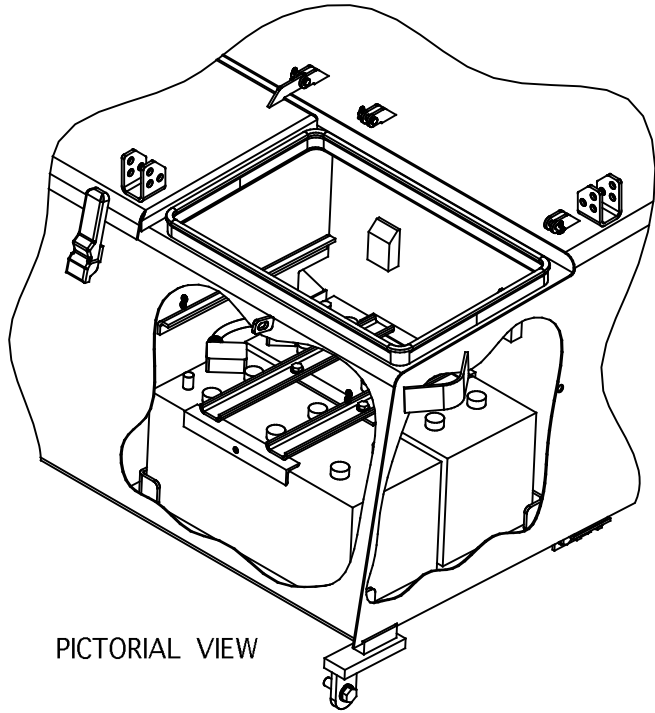
NOTE	REF NO	PART NUMBER	QTY	PART NAME	NOTE	REF NO	PART NUMBER	QTY	PART NAME
	1	9G0011	1	SWITCH AS-TOGGLE					
		3L8187	3	LOCKWASHER (#6)					
		6T3631	2	NUT-HEXAGON					
		6T3632	1	LOCKWASHER-INT					
		6T3633	1	RING-LOCKING					
		6V8374	3	SCREW-MACHINE					
	2	1525397	1	PLATE					

1525279 SWITCH GP
Part of 1447169 Electrical Ar

ELECTRICAL AND STARTING SYSTEM



TOP VIEW



PICTORIAL VIEW

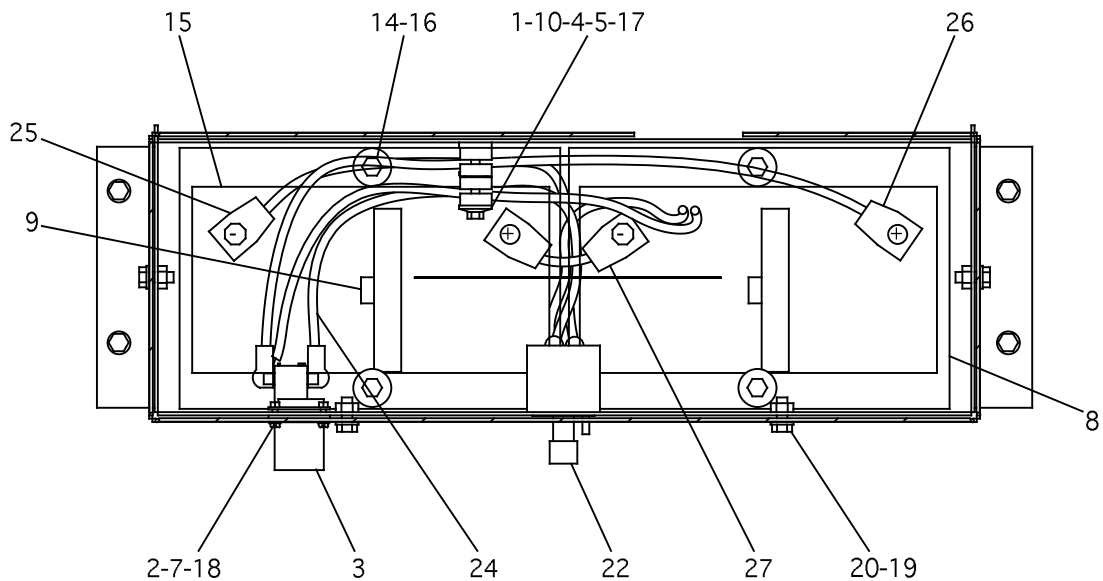
NOTE	REF NO	PART NUMBER	QTY	PART NAME	NOTE	REF NO	PART NUMBER	QTY	PART NAME
E	1	3P2179	1	CABLE AS					
		1M6119	2	BOLT-TERMINAL					
		1M6120	2	NUT-BAT TERMINAL					
		5P0747	15	CABLE-STARTER					
		9G0003	1	COVER-TERMINAL (POSITIVE)					
		9G0004	1	COVER-TERMINAL (NEGATIVE)					
	2	8E4260	1	HOLDDOWN AS					
		9R2078	1	PLATE					
	3	9M5775	2	MAT-BATTERY					
	4	7X0474	2	BOLT					
	5	8T4121	2	WASHER-HARD					
	6	9X9730	2	BATTERY-12 VOLT					
		7N0060	6	VENT AS-SAFETY					

E - ORDER BY THE CENTIMETER

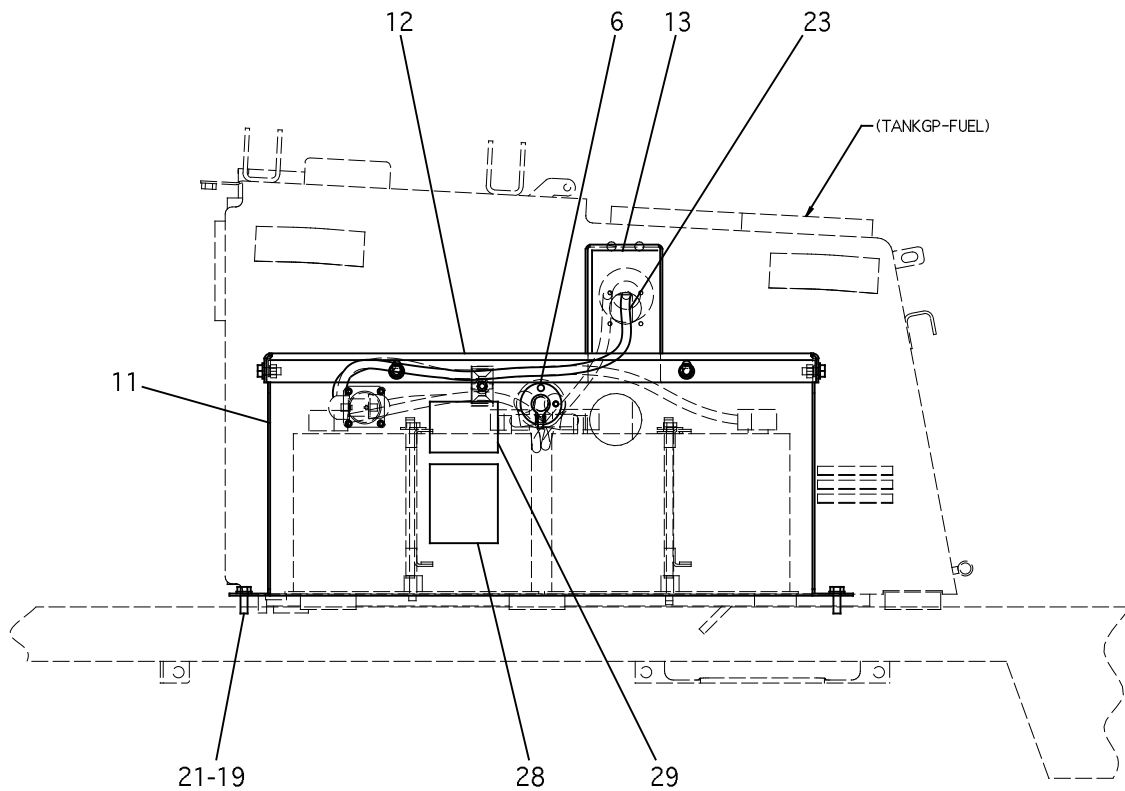
1245842 WIRING GP & BATTERY

Part of 1447169 Electrical Ar

ELECTRICAL AND STARTING SYSTEM



TOP VIEW



L.H. SIDE VIEW

1520463 WIRING GP & BATTERY (OPTIONAL-ARCTIC)
 Part of 1670604 Starting Kit-Cold Weather

ELECTRICAL AND STARTING SYSTEM

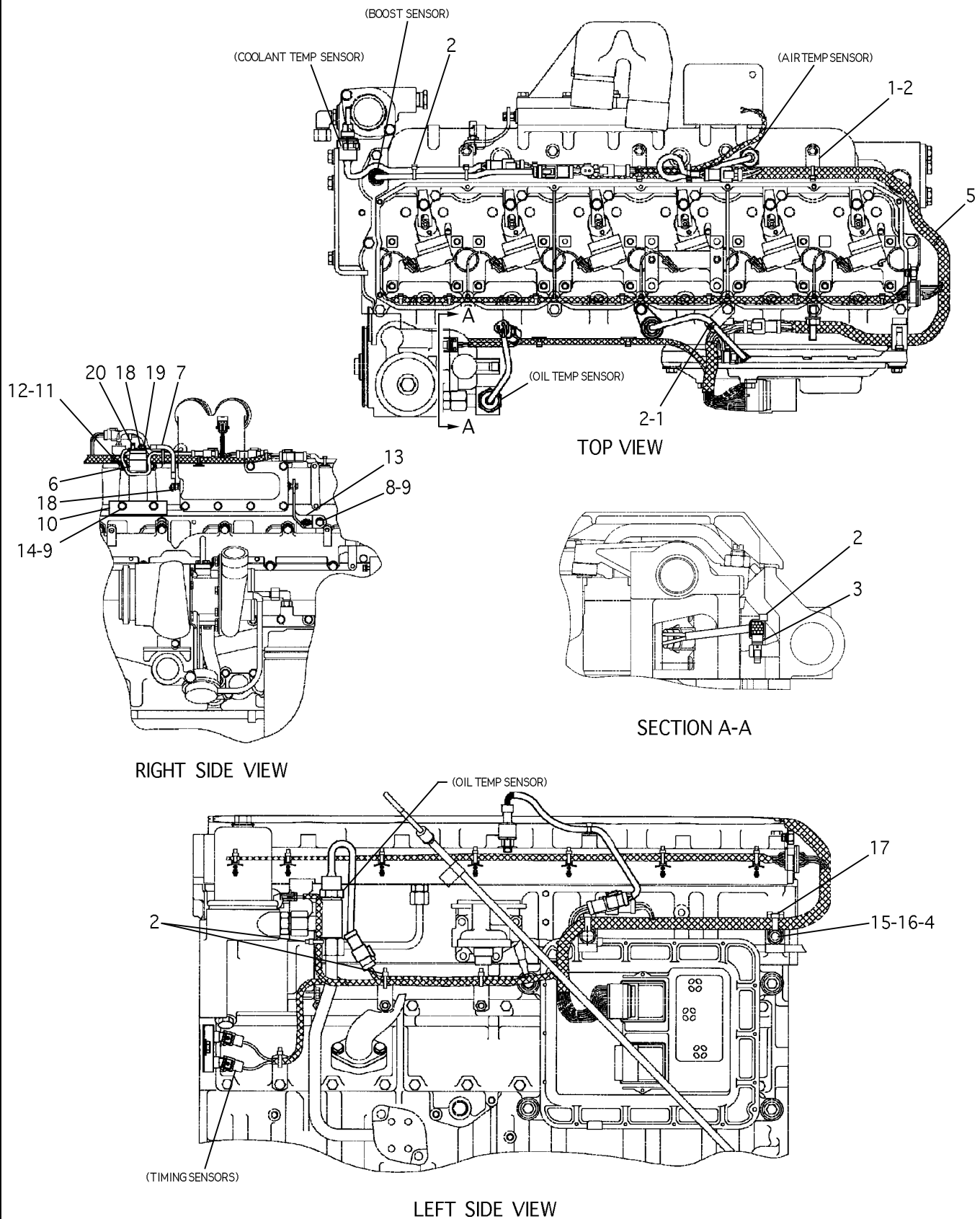
NOTE	REF NO	PART NUMBER	QTY	PART NAME	NOTE	REF NO	PART NUMBER	QTY	PART NAME
	1	3V0046	1	PLATE			3S6050	1	TERMINAL AS
M	2	5C2874	4	NUT (M5)			1M6119	1	BOLT-TERMINAL
	3	5R4467	1	RECEPTACLE AS			1M6120	1	NUT-BAT TERMINAL
	4	6W0210	1	BOLT (5/16)			1S7252	1	TERMINAL-RING
	5	7R7964	1	PLATE-SAFETY	E		5P0747	7	CABLE-STARTER
	6	8H8648	1	PLATE-INST			6T0465	1	COVER-TERMINAL (ROUND)
M	7	8T6693	4	SCREW-MACHINE (M5)			7N5274	1	COVER-TERMINAL (BLACK)
	8	9M5775	2	MAT-BATTERY	E		8T5346	10	TUBE
	9	9R5685	2	HOLDER AS-BATTERY		26	1590252	1	CABLE AS
			2	BOLT-TERMINAL			1M6119	1	BOLT-TERMINAL
			2	NUT-BAT TERMINAL			1M6120	1	NUT-BAT TERMINAL
E			20	CABLE-STARTER			1S7252	1	TERMINAL-RING
			1	COVER-TERMINAL (BLACK)	E		5P0761	7	CABLE-STARTER
			1	COVER-TERMINAL (RED)			8N0869	1	COVER-TERMINAL (ROUND)
	10	6W2463	4	CLAMP-TWIN			8N1725	1	COVER-TERMINAL (RED)
	11	1520457	1	BOX AS	E		8T5346	10	TUBE
			1	PLATE AS		27	9V6943	1	CABLE AS
			4	NUT-WELD			1M6119	2	BOLT-TERMINAL
			4	BOSS			1M6120	2	NUT-BAT TERMINAL
			1	SHEET-BENT	E		5P0746	20	CABLE-STARTER
			2	SHEET			7N5274	1	COVER-TERMINAL (BLACK)
	12	1525868	1	COVER AS			8N1725	1	COVER-TERMINAL (RED)
			1	COVER (764 X 250 MM)			8T9758	1	TERMINAL AS-BAT (POS)
			1	COVER (267 X 150 MM)			7X1169	1	TERMINAL AS-BAT (NEG)
			1	PAD		28	6V4611	1	FILM-WARNING
M	14	1597463	4	BOLT-HEX HEAD (M10)		29	1458331	1	FILM-IDENT
	15	1152422	2	BATTERY					
	16	7X0603	4	WASHER-HARD					
	17	8C6561	1	BOLT (5/16)					
	18	8T0328	4	WASHER-HARD					
	19	8T4121	8	WASHER-HARD					
M	20	8T4136	4	BOLT (M10)					
M	21	8T4195	4	BOLT (M10)					
	22	9H2082	1	SWITCH AS					
			1	LOCKWASHER (3/4)					
			1	SCREW-HEAD					
			2	NUT-FULL (3/8-24)					
			1	LEVER-SWITCH					
			1	NUT-HEX (3/4-16)					
			1	LOCKWASHER (#8)					
			2	LOCKWASHER (3/8)					
	23	1590253	1	CABLE AS					
			2	TERMINAL-RING					
E			7	CABLE-STARTER (BLACK)					
E			9	CABLE-STARTER (RED)					
			1	CONNECTOR-ELEC					
E			20	TUBE					
	24	1590257	1	CABLE AS					
			1	BOLT-TERMINAL					
			1	NUT-BAT TERMINAL					
			1	TERMINAL-RING					
E			7	CABLE-STARTER					
			1	COVER-TERMINAL (ROUND)					
			1	COVER-TERMINAL (BLACK)					
E			20	TUBE					
	25	1590255	1	CABLE AS					

E - ORDER BY THE CENTIMETER
M - METRIC PART

1520463 WIRING GP & BATTERY (OPTIONAL-ARCTIC)

Part of 1670604 Starting Kit-Cold Weather

ELECTRICAL AND STARTING SYSTEM



1523385 WIRING GP-ENGINE CONTROL
 Part of 1287367 Engine Ar-Basic

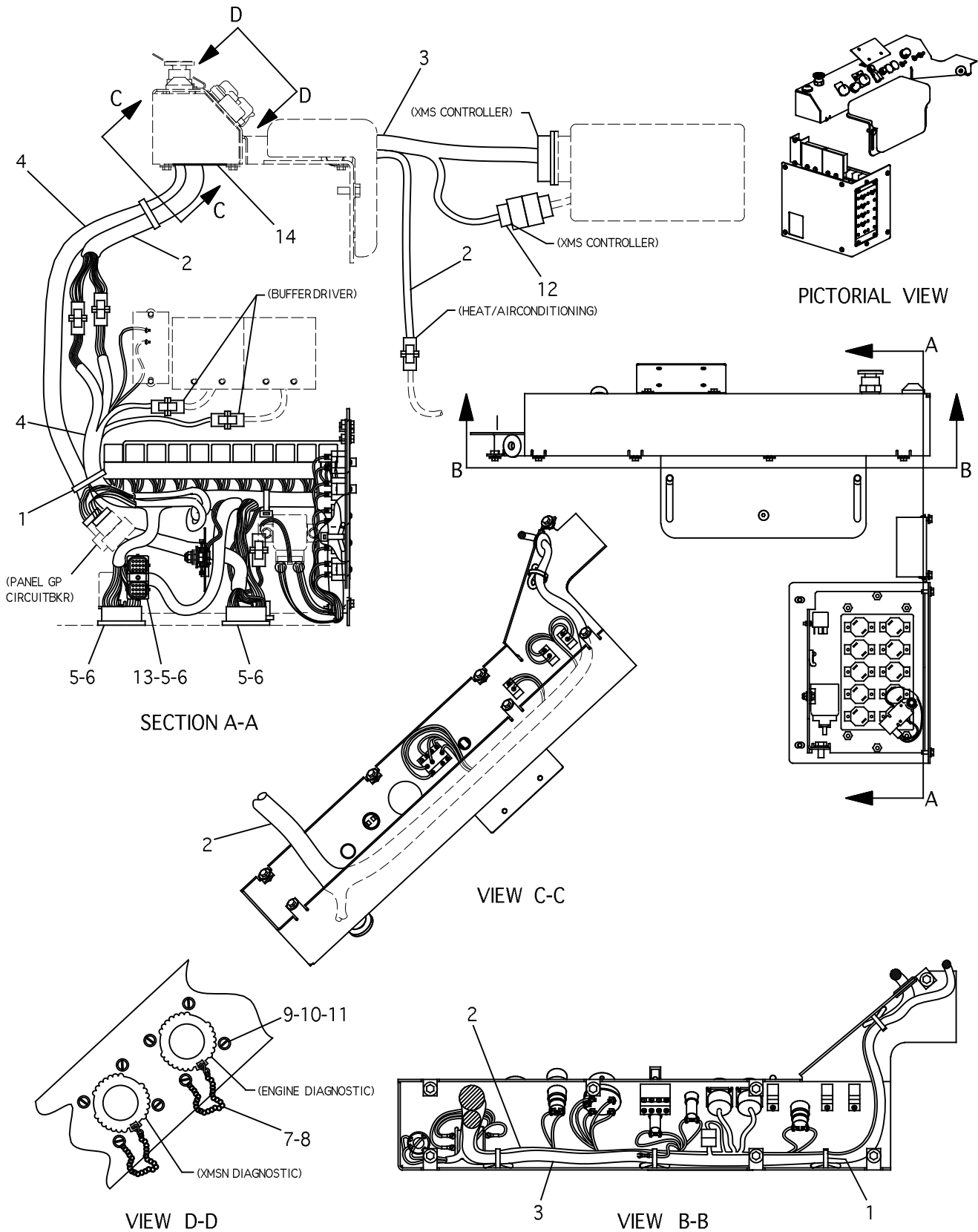
ELECTRICAL AND STARTING SYSTEM

NOTE	REF NO	PART NUMBER	QTY	PART NAME	NOTE	REF NO	PART NUMBER	QTY	PART NAME
	1	4P5918	4	CLIP					
	2	3S2093	17	STRAP-CABLE					
	3	1051797	7	MOUNT-WIRE TIE					
	4	8T4121	2	WASHER-HARD					
	5	1582236	1	HARNESS AS-WIRING					
	6	1480757	1	SWITCH AS					
		3E3365	1	WEDGE-RECEP LOCK					
		3E7277	1	SWITCH AS					
		8T8729	2	PIN-CONNECTOR					
E		9X1386	16	SLEEVE (BULK)					
		1126646	2	LOCKNUT					
	7	4P1826	1	WIRE AS					
		9X9882	2	TERMINAL					
M	8	8T4200	1	BOLT (M8)					
	9	8T4224	3	WASHER-HARD					
	10	7E8828	1	SHIELD-HEAT					
M	11	8T4970	2	BOLT (M6)					
	12	9X8256	2	WASHER					
	13	7E5714	1	STRAP-GROUND					
M	14	7X2536	2	BOLT (M8)					
	15	4P8134	2	CLIP					
M	16	8T4137	2	BOLT (M10)					
	17	7K1181	2	STRAP-CABLE					
	18	0039835	2	PROTECTOR-TERM					
	19	1126646	1	LOCKNUT					
	20	1108457	1	BOOT					

E - ORDER BY THE CENTIMETER
M - METRIC PART

1523385 WIRING GP-ENGINE CONTROL
Part of 1287367 Engine Ar-Basic

ELECTRICAL AND STARTING SYSTEM



1245848 WIRING GP-CONSOLE
Part of 1447169 Electrical Ar

ELECTRICAL AND STARTING SYSTEM

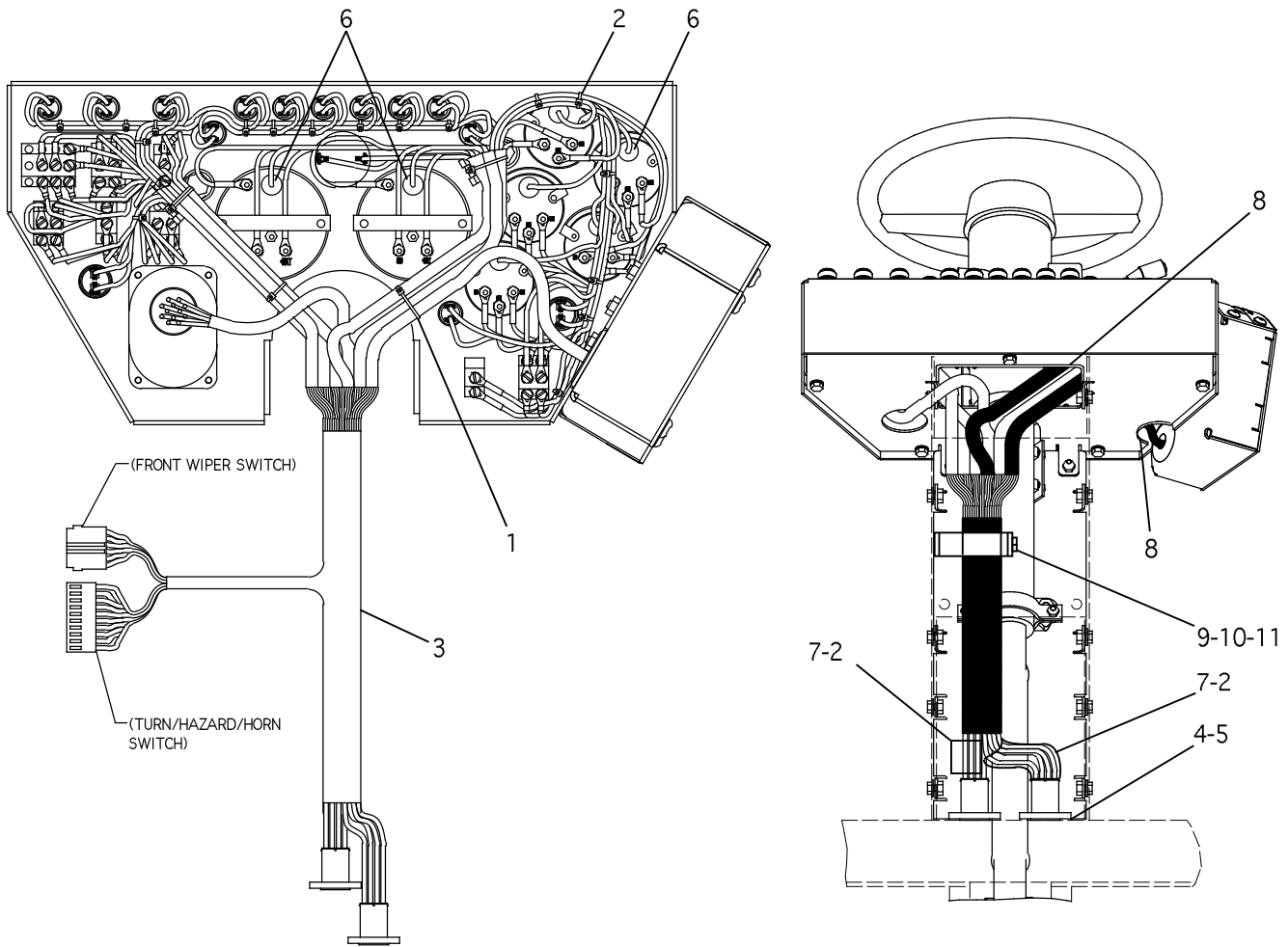
NOTE	REF NO	PART NUMBER	QTY	PART NAME	NOTE	REF NO	PART NUMBER	QTY	PART NAME
	1	7K1181	4	STRAP-CABLE					
	2	1393846	1	HARNESS AS					
	3	1393847	1	HARNESS AS					
	4	1393848	1	HARNESS AS					
M	5	4B4863	16	WASHER					
E	6	8T4647	16	SCREW-MACHINE (M4)					
	7	1G9089	20	CHAIN					
	8	1G9090	2	HOOK-S					
	9	5P8392	8	WASHER					
	10	6V2480	8	SCREW-MACHINE (4-40)					
	11	9N7446	8	NUT ELASTIC STOP (4-40)					
	12	3T3046	1	CLIP AS					
		3T0010	1	STRAP					
		3T0049	1	CLIP					
D	13	8T2659	4	NUT					
	14	7X7877	1	STRIP-EDGING					

D - ORDER BY THE METER
 E - ORDER BY THE CENTIMETER
 M - METRIC PART

1245848 WIRING GP-CONSOLE

Part of 1447169 Electrical Ar

ELECTRICAL AND STARTING SYSTEM



NOTE	REF NO	PART NUMBER	QTY	PART NAME	NOTE	REF NO	PART NUMBER	QTY	PART NAME
	1	7K1181	4	STRAP-CABLE					
	2	8L8413	21	STRAP-CABLE					
	3	1393845	1	HARNESS AS					
	4	4B4863	8	WASHER					
M	5	8T4647	8	SCREW-MACHINE (M4)					
	6	5D0019	7	LAMP-MINIATURE					
E	7	6R2050	20	SLEEVE-ABRASION					
E	8	7X7877	80	CHANNEL-TRIM					
	9	7R7942	2	CLAMP-TUBE					
	10	7X0265	2	BOLT					
	11	7R7952	1	PLATE-COVER					

E - ORDER BY THE CENTIMETER
M - METRIC PART

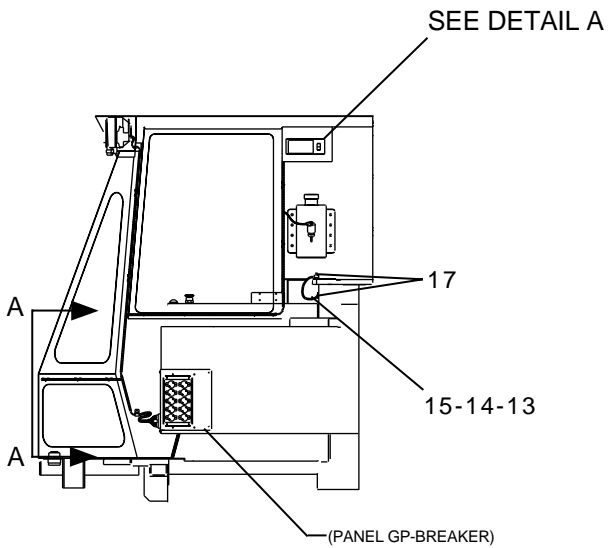
1245856 WIRING GP & INSTRUMENT

Part of 1447169 Electrical Ar

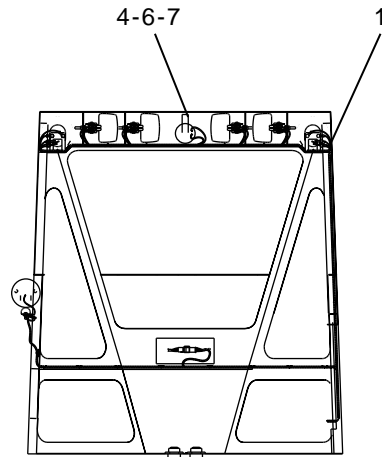
NOTES

A large, empty rectangular box with a black border, intended for handwritten notes.

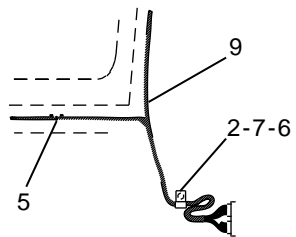
ELECTRICAL AND STARTING SYSTEM



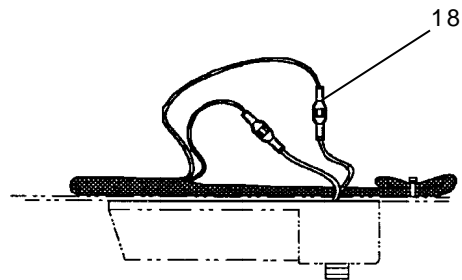
INSIDE CAB R.H. SIDE VIEW



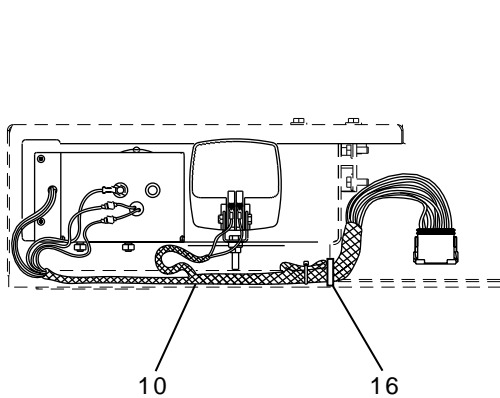
INSIDE CAB FRONT VIEW



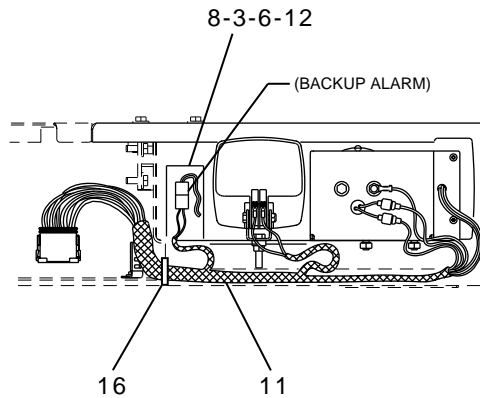
VIEW A-A



DETAIL A



RIGHT TAIL LIGHT ASSY.



LEFT TAIL LIGHT ASSY.

1527542 WIRING GP-LIGHTING Part of 1447169 Electrical Ar

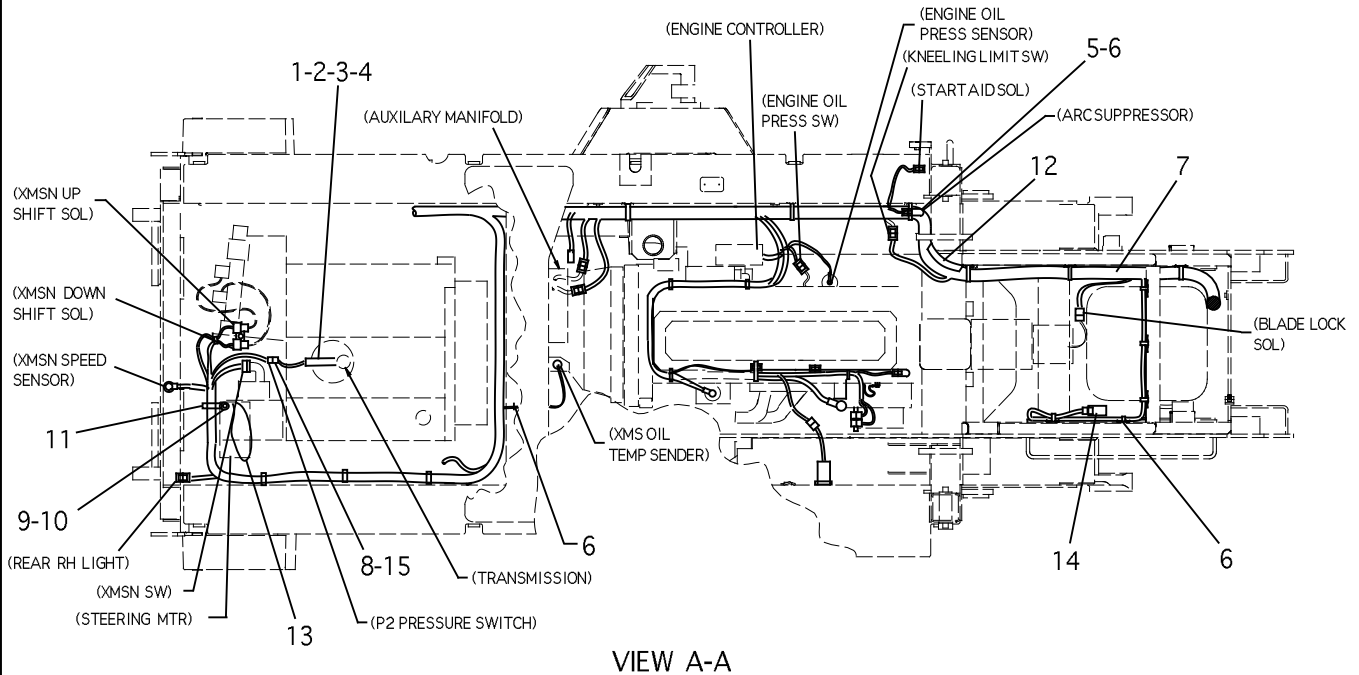
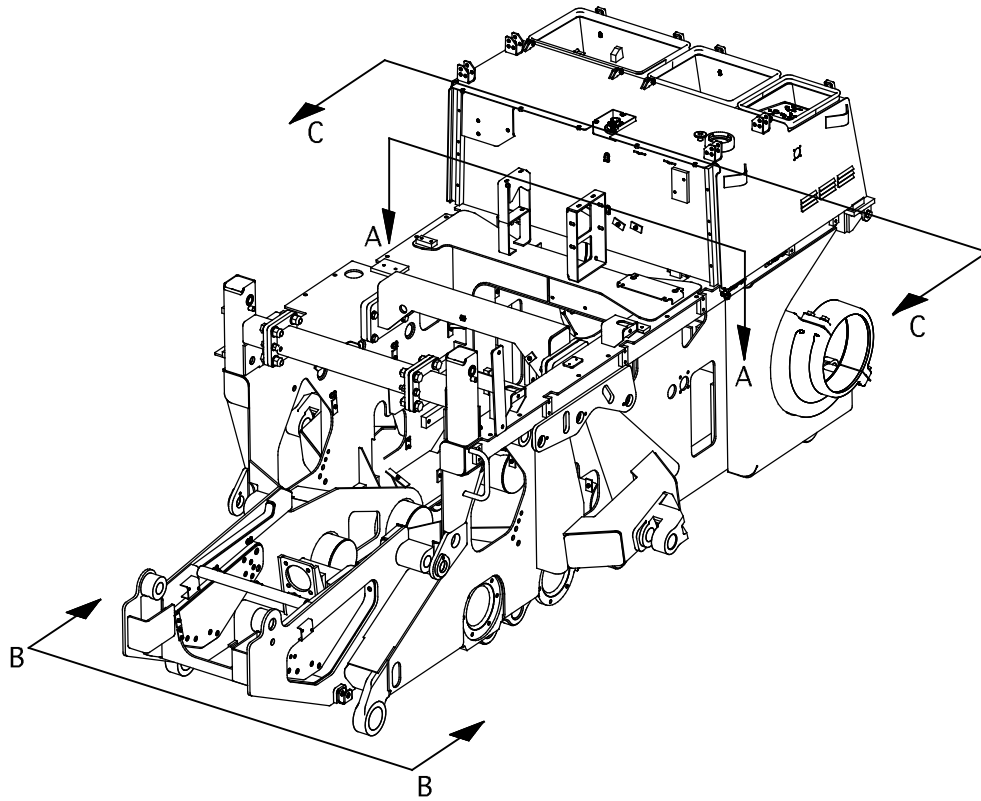
ELECTRICAL AND STARTING SYSTEM

NOTE	REF NO	PART NUMBER	QTY	PART NAME	NOTE	REF NO	PART NUMBER	QTY	PART NAME
	1	2V8259	1	GROMMET					
	2	6D4246	1	CLIP					
M	3	8T4133	2	NUT-HEX (M10)					
	4	7T0969	1	HORN AS-24 VDC					
		8C7581	2	SCREW-MACHINE					
		9B7233	2	LOCKWASHER					
	5	3S2093	29	STRAP-CABLE					
	6	8T4121	4	WASHER-HARD					
M	7	8T4137	2	BOLT (M10)					
	8	1236449	1	ALARM-BACK UP					
		3E3365	1	WEDGE-RECEP LOCK					
		8T8729	2	PIN-CONNECTOR					
	9	1393839	1	HARNESS AS					
	10	1393843	1	HARNESS AS					
	11	1393844	1	HARNESS AS					
M	12	8T4198	2	BOLT (M10)					
	13	6V8188	2	NUT-FULL (1/2-13)					
	14	8T4223	2	WASHER-HARD					
	15	9W2489	1	CABLE AS					
		1S7251	2	TERMINAL-RING					
E		5P0747	37	CABLE-STARTER					
E		8T2225	16	TUBE					
	16	0618844	2	GROMMET					
	17	6H3689	2	CAP-PROTECTIVE					
E	18	1257875	10	TUBE					

E - ORDER BY THE CENTIMETER
M - METRIC PART

1527542 WIRING GP-LIGHTING
Part of 1447169 Electrical Ar

ELECTRICAL AND STARTING SYSTEM



REFER TO ALL ILLUSTRATIONS OF THIS GROUP

1245844 WIRING GP-VEHICLE PART 1 OF 6
 Part of 1447169 Electrical Ar

ELECTRICAL AND STARTING SYSTEM

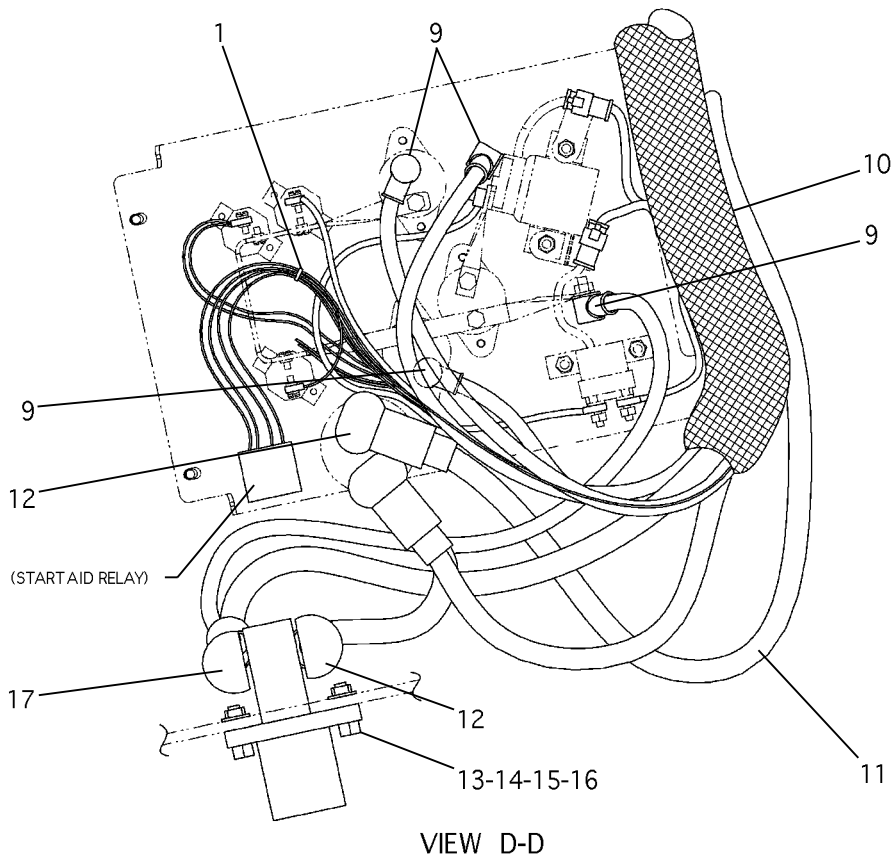
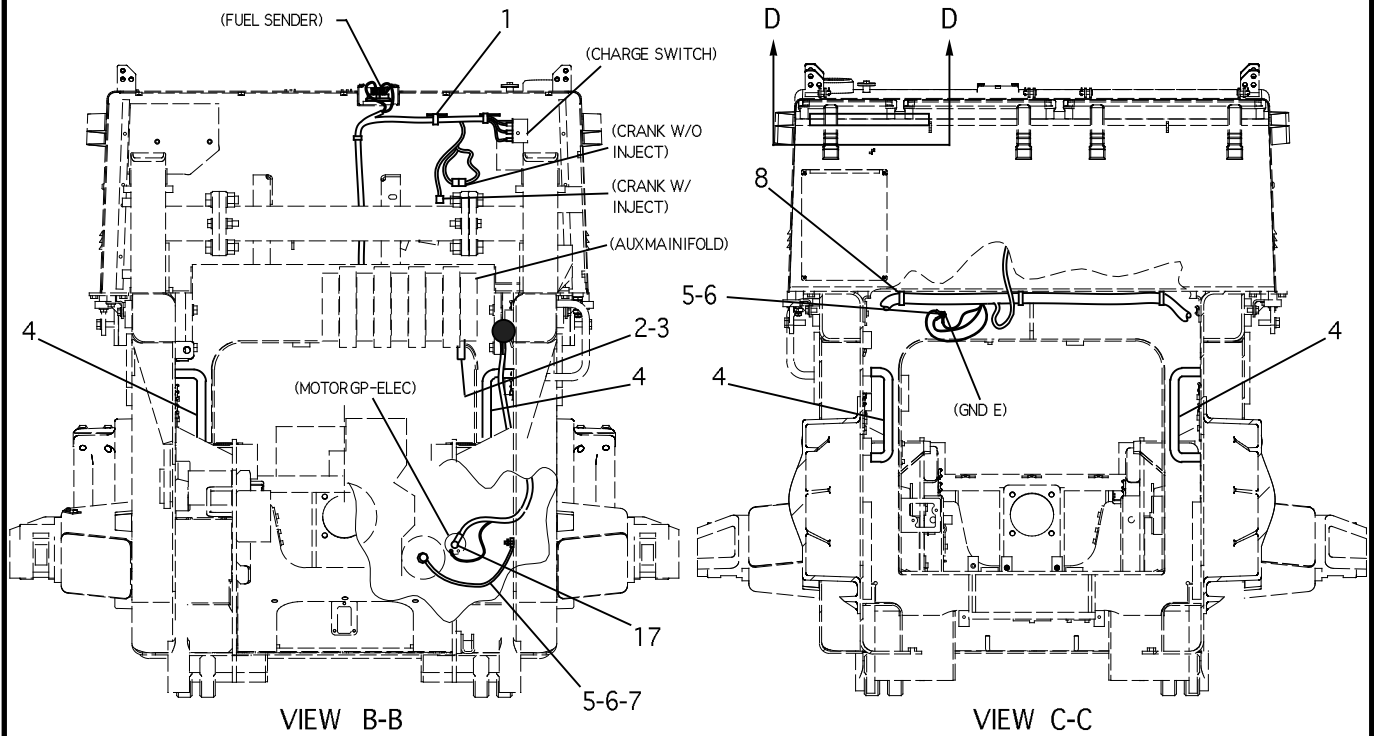
NOTE	REF NO	PART NUMBER	QTY	PART NAME	NOTE	REF NO	PART NUMBER	QTY	PART NAME
	1	3J1907	1	SEAL-O-RING (ORB-OD 15.9)					
	2	5P8874	1	ADAPTER (M,F-STOR)					
	3	3K0360	1	SEAL-O-RING (ORB-OD 20.8)					
	4	1652521	1	SWITCH AS-PRESSURE					
		3E3371	1	WEDGE-RECEP LOCK					
		8T8729	3	PIN-CONNECTOR					
	5	1068704	1	SUPPRESSOR-ARC					
		3E3365	1	WEDGE-RECEP LOCK					
		8T8729	2	PIN-CONNECTOR					
	6	3S2093	11	STRAP-CABLE					
	7	1393840	1	HARNESS AS					
	8	1160118	1	CLIP					
	9	8T4121	1	WASHER-HARD					
	10	4P7582	1	CLIP					
	11	7K1181	5	STRAP-CABLE					
E	12	6R2050	35	SLEEVE-ABRASION					
E	13	5P0562	30	WIRE-LOCK					
	14	1872020	1	CONNECTOR AS					
	15	5P4116	1	WASHER					

E - ORDER BY THE CENTIMETER

1245844 WIRING GP-VEHICLE PART 1 OF 6

Part of 1447169 Electrical Ar

ELECTRICAL AND STARTING SYSTEM



REFER TO ALL ILLUSTRATIONS OF THIS GROUP

1245844 WIRING GP-VEHICLE PART 2 OF 6
Part of 1447169 Electrical Ar

ELECTRICAL AND STARTING SYSTEM

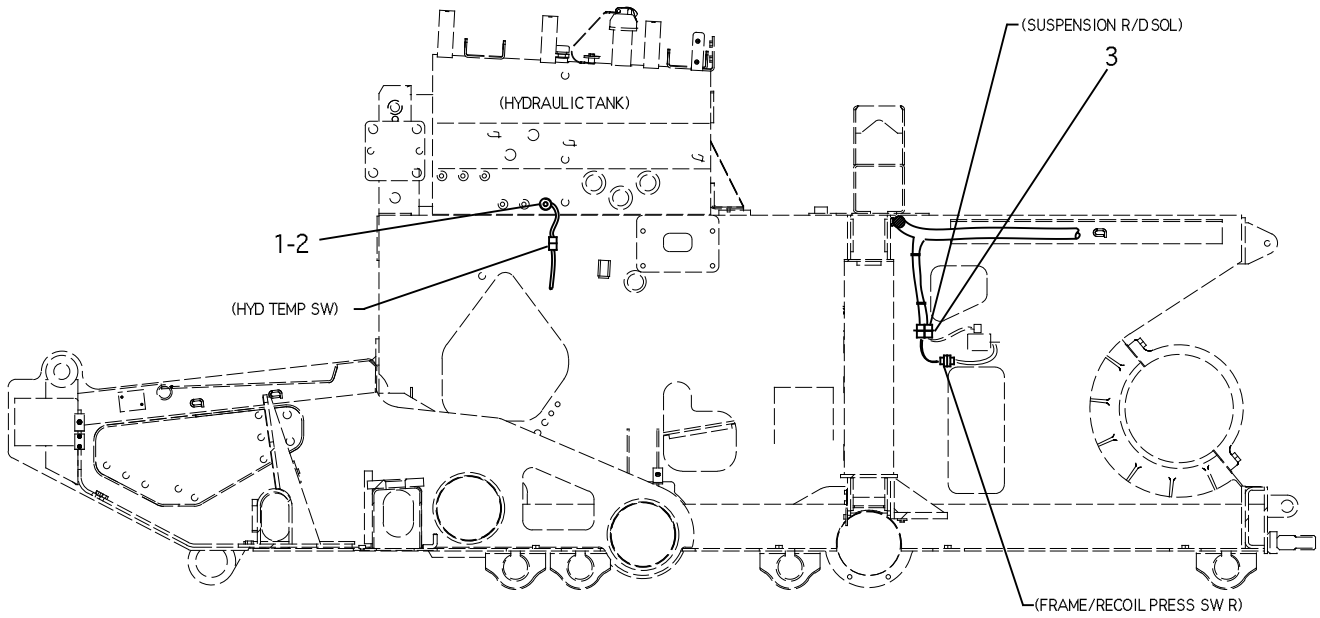
NOTE	REF NO	PART NUMBER	QTY	PART NAME	NOTE	REF NO	PART NUMBER	QTY	PART NAME
	1	3S2093	5	STRAP-CABLE					
	2	3E7806	1	SWITCH AS-PRESS					
		3E3371	1	WEDGE-RECP LOCK					
		8T8729	3	PIN CONNECTOR					
	3	3J1907	1	SEAL-O-RING (ORB-OD 15.9)					
E	4	0918487	33	CHANNEL-TRIM					
	5	8T4223	3	WASHER-HARD					
	6	6V8188	3	NUT-FULL (1/2-13)					
	7	9W2489	1	CABLE AS					
		1S7251	2	TERMINAL-RING					
E		5P0747	37	CABLE-STARTER					
E		8T2225	16	TUBE					
	8	7K1181	3	STRAP-CABLE					
	9	8T8799	4	BOOT					
	10	1393842	1	HARNESS AS					
	11	1395517	1	CABLE AS					
		1M6119	1	BOLT-TERMINAL					
		1M6120	1	NUT-BAT TERMINAL					
		1S7252	1	TERMINAL-RING					
E		5P0747	168	CABLE-STARTER					
		6T0465	1	COVER-TERMINAL (ROUND)					
		7N5274	1	COVER-TERMINAL (BLACK)					
	12	9G8909	3	COVER-TERMINAL					
	13	5R4467	1	RECEPTACLE AS					
M	14	8T6693	4	SCREW-MACHINE (M5)					
	15	8T0328	4	WASHER					
M	16	5C2874	4	NUT (M5)					
	17	8N0869	2	COVER-TERMINAL (ROUND)					

E - ORDER BY THE CENTIMETER
M - METRIC PART

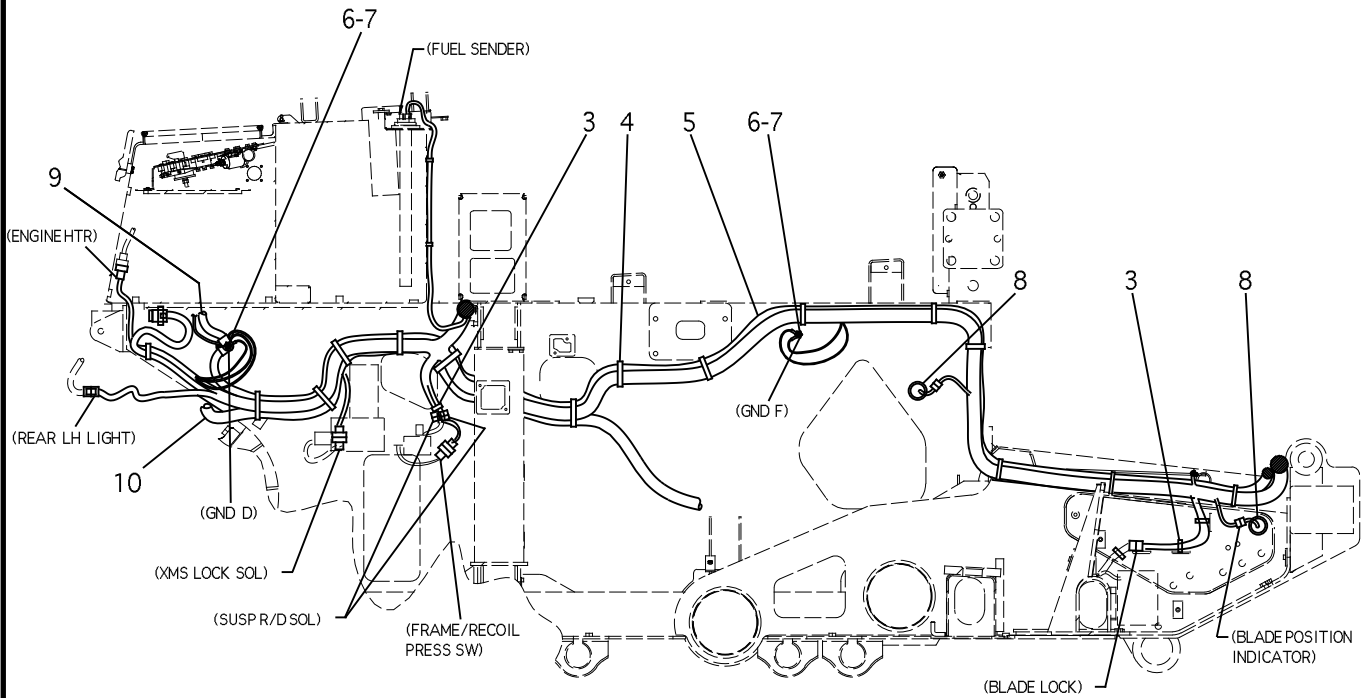
1245844 WIRING GP-VEHICLE PART 2 OF 6

Part of 1447169 Electrical Ar

ELECTRICAL AND STARTING SYSTEM



VIEW OF INSIDE FRAME R.H. SIDE



VIEW OF INSIDE FRAME L.H. SIDE

REFER TO ALL ILLUSTRATIONS OF THIS GROUP

ELECTRICAL AND STARTING SYSTEM

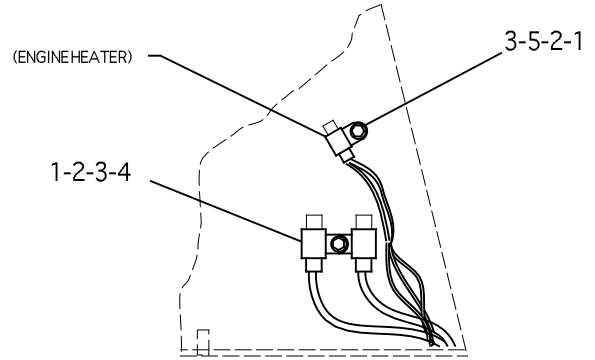
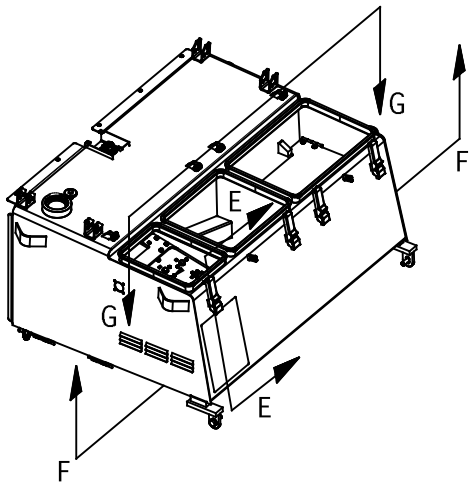
NOTE	REF NO	PART NUMBER	QTY	PART NAME	NOTE	REF NO	PART NUMBER	QTY	PART NAME
	1	3K0360	1	SEAL-O-RING (ORB-OD 20.8)					
	2	1100514	1	SWITCH AS-TEMP					
		3E3370	1	RECEPTACLE AS					
		3E3371	1	WEDGE-RECP LOCK					
		8T8729	3	PIN-CONNECTOR					
	3	3S2093	9	STRAP-CABLE					
	4	7K1181	14	STRAP-CABLE					
	5	1439954	1	CABLE AS					
		3L6513	2	TERMINAL					
D		8C0596	5.5	CABLE (BLACK)					
D		8C3055	5.6	CABLE (ORANGE)					
		8N0869	1	COVER-TERMINAL (ROUND)					
E		8T5346	10	TUBE					
		1314726	1	PLUG AS- CONNECTOR					
	6	6V8188	2	NUT-FULL (1/2-13)					
	7	8T4223	2	WASHER-HARD					
	8	7Y8169	2	GROMMET					
	9	1393842	1	HARNESS AS (TO POWER BOX)					
	10	1393841	1	HARNESS AS (ENGINE POWER)					

D - ORDER BY THE METER
 E - ORDER BY THE CENTIMETER

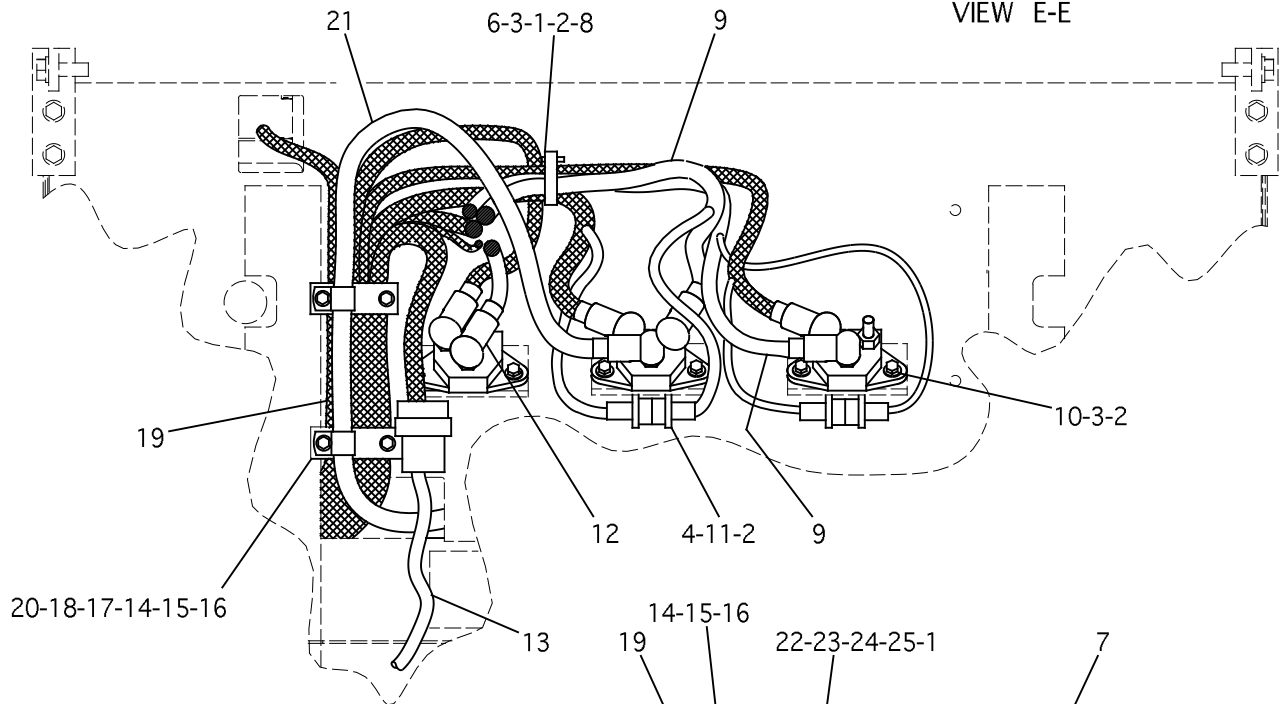
1245844 WIRING GP-VEHICLE PART 3 OF 6

Part of 1447169 Electrical Ar

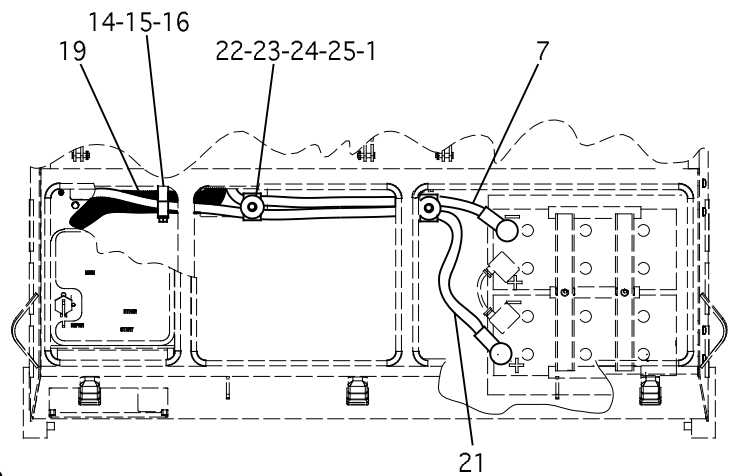
ELECTRICAL AND STARTING SYSTEM



VIEW E-E



VIEW F-F



VIEW G-G

REFER TO ALL ILLUSTRATIONS OF THIS GROUP

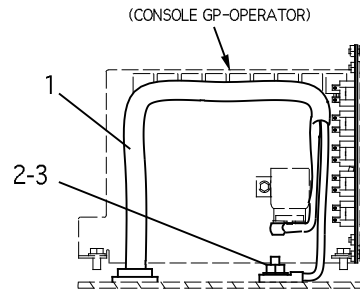
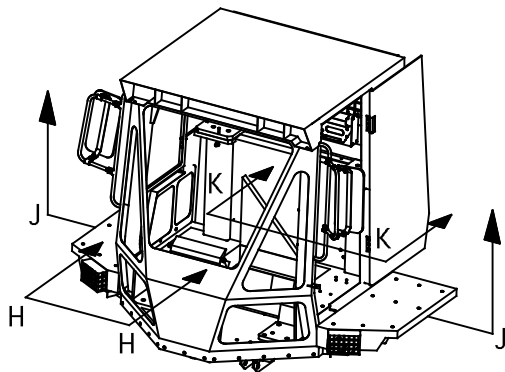
1245844 WIRING GP-VEHICLE PART 4 OF 6
Part of 1447169 Electrical Ar

ELECTRICAL AND STARTING SYSTEM

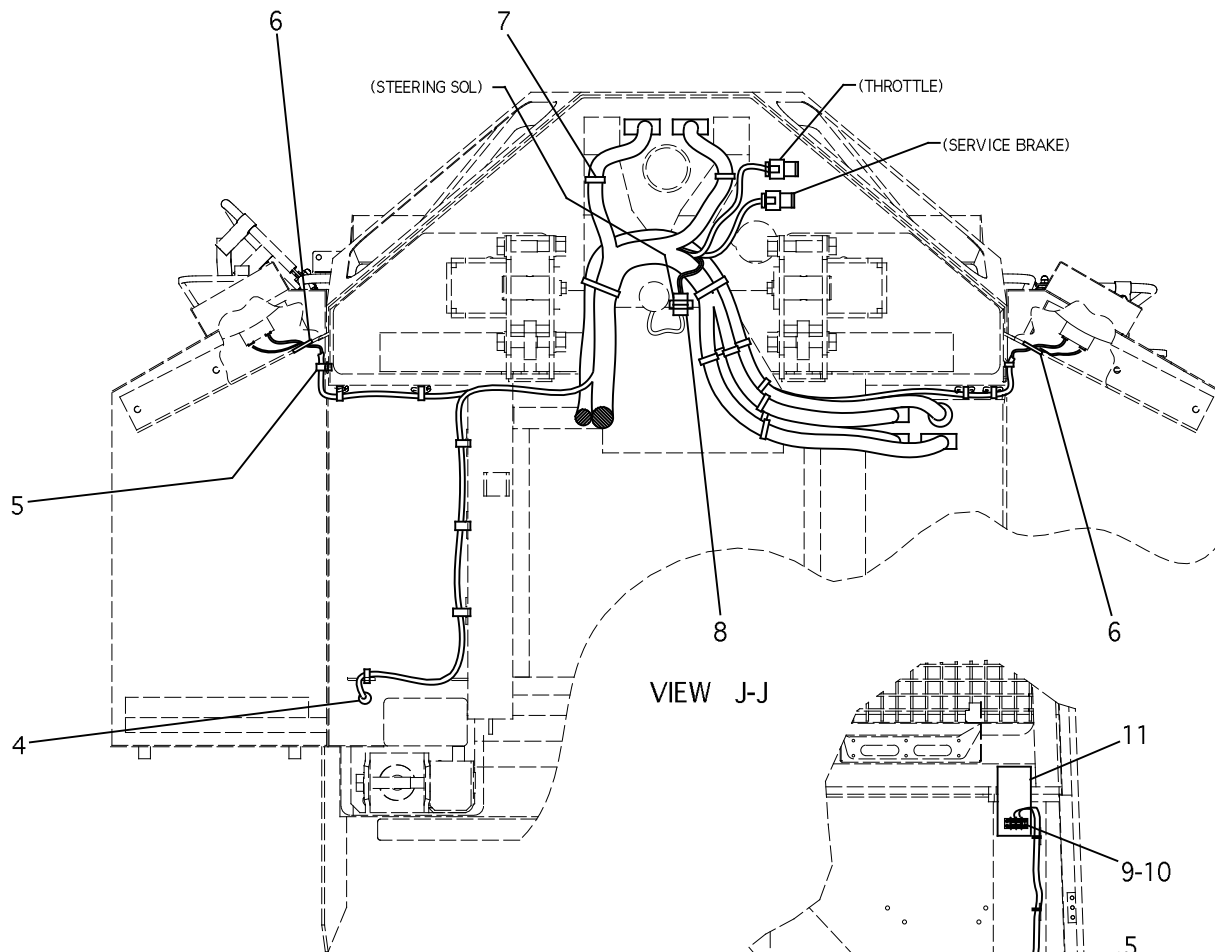
NOTE	REF NO	PART NUMBER	QTY	PART NAME	NOTE	REF NO	PART NUMBER	QTY	PART NAME
M	1	6V7744	5	LOCKNUT (M10)					
	2	8T4121	11	WASHER-HARD					
M	3	8T4137	9	BOLT (M10)					
	4	9G9154	4	CLIP					
	5	9G9152	1	CLIP					
	6	4P7428	1	CLIP					
	7	1395517	1	CABLE AS					
		1M6119	1	BOLT-TERMINAL					
		1M6120	1	NUT-BAT TERMINAL					
		1S7252	1	TERMINAL-RING					
E		5P0747	168	CABLE-STARTER					
		6T0465	1	COVER-TERMINAL (ROUND)					
		7N5274	1	COVER-TERMINAL (BLACK)					
	8	7K1181	1	STRAP					
	9	1393841	1	HARNESS AS					
Y	10	9W0742	3	BLOCK GP-JCT					
M	11	7X2621	2	BOLT (M10)					
	12	1439954	1	CABLE AS					
		3L6513	2	TERMINAL					
D		8C0596	5.5	CABLE (BLACK)					
D		8C3055	5.6	CABLE (ORANGE)					
		8N0869	1	COVER-TERMINAL (ROUND)					
E		8T5346	10	TUBE					
		1314726	1	PLUG AS-CONNECTOR					
	13	1393840	1	HARNESS AS					
	14	7X0265	4	BOLT (1/4-20)					
	15	6R2678	6	CLAMP					
	16	7R7952	3	PLATE-COVER					
	17	5P4115	2	WASHER-HARD					
	18	7X0266	2	BOLT (1/4-20)					
	19	1393842	1	HARNESS AS					
	20	9M8406	2	CLIP					
	21	1395516	1	CABLE AS					
		1M6119	1	BOLT-TERMINAL					
		1M6120	1	NUT-BAT TERMINAL					
		1S7251	1	TERMINAL-RING					
E		5P0747	215	CABLE-STARTER					
		8N0869	1	COVER-TERMINAL (ROUND)					
		8N1725	1	COVER-TERMINAL (RED)					
	22	6G2256	2	CLAMP					
	23	2G8767	4	WASHER					
	24	6G2263	2	SPACER					
M	25	8T4185	2	BOLT (M10)					

D - ORDER BY THE METER
 E - ORDER BY THE CENTIMETER
 M - METRIC PART
 Y - SEPARATE ILLUSTRATION

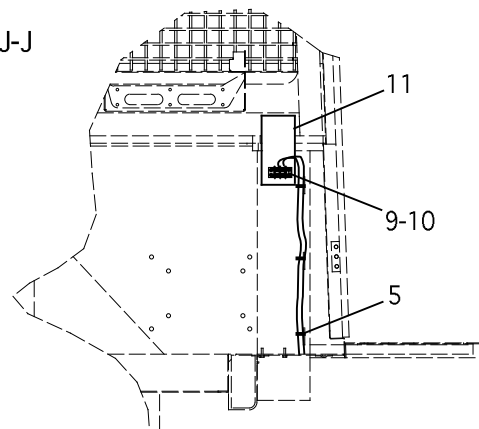
ELECTRICAL AND STARTING SYSTEM



SECTION H-H



VIEW J-J



VIEW K-K

REFER TO ALL ILLUSTRATIONS OF THIS GROUP

1245844 WIRING GP-VEHICLE PART 5 OF 6
Part of 1447169 Electrical Ar

ELECTRICAL AND STARTING SYSTEM

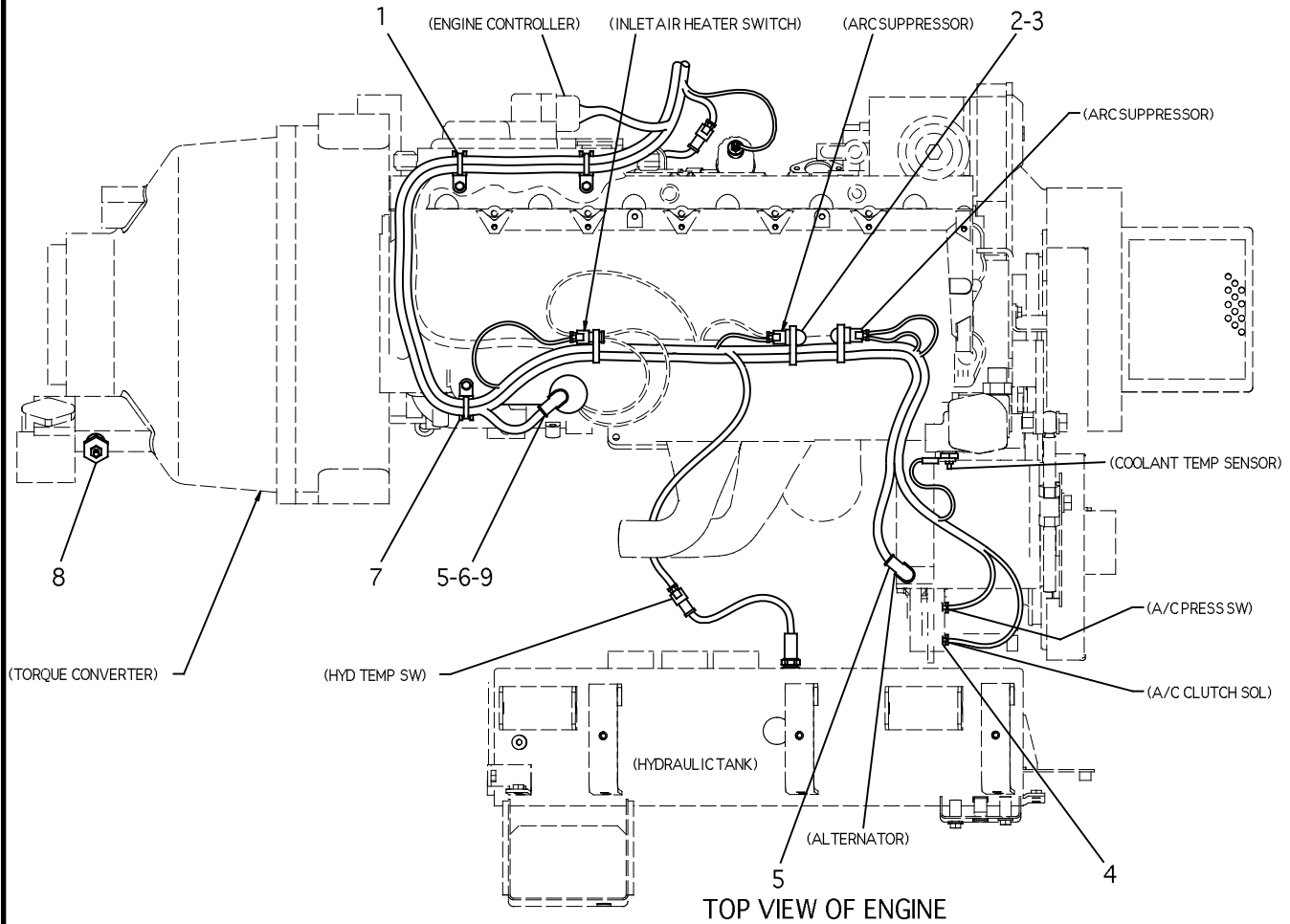
NOTE	REF NO	PART NUMBER	QTY	PART NAME	NOTE	REF NO	PART NUMBER	QTY	PART NAME
	1	1439953	1	CABLE AS					
		3L6513	1	TERMINAL					
E		8C0596	66	CABLE (BLACK)					
E		8C3055	59	CABLE (ORANGE)					
		8N0869	1	COVER-TERMINAL (ROUND)					
E		8T5346	4	TUBE					
		301711	1	TERMINAL					
		1314725	1	RECEPTACLE AS					
2		8T4223	1	WASHER					
3		6V8188	1	NUT-FULL (1/2-13)					
4		618844	1	GROMMET					
5		3S2093	13	STRAP-CABLE					
6		7G7053	2	GROMMET					
7		7K1181	12	STRAP					
8		9G9152	1	CLIP					
9		9X1046	2	SCREW-TRUSS HEAD					
10		6L5855	1	STRIP-TERMINAL					
11		1634712	1	PROTECTOR					

E - ORDER BY THE CENTIMETER

1245844 WIRING GP-VEHICLE PART 5 OF 6

Part of 1447169 Electrical Ar

ELECTRICAL AND STARTING SYSTEM



REFER TO ALL ILLUSTRATIONS OF THIS GROUP

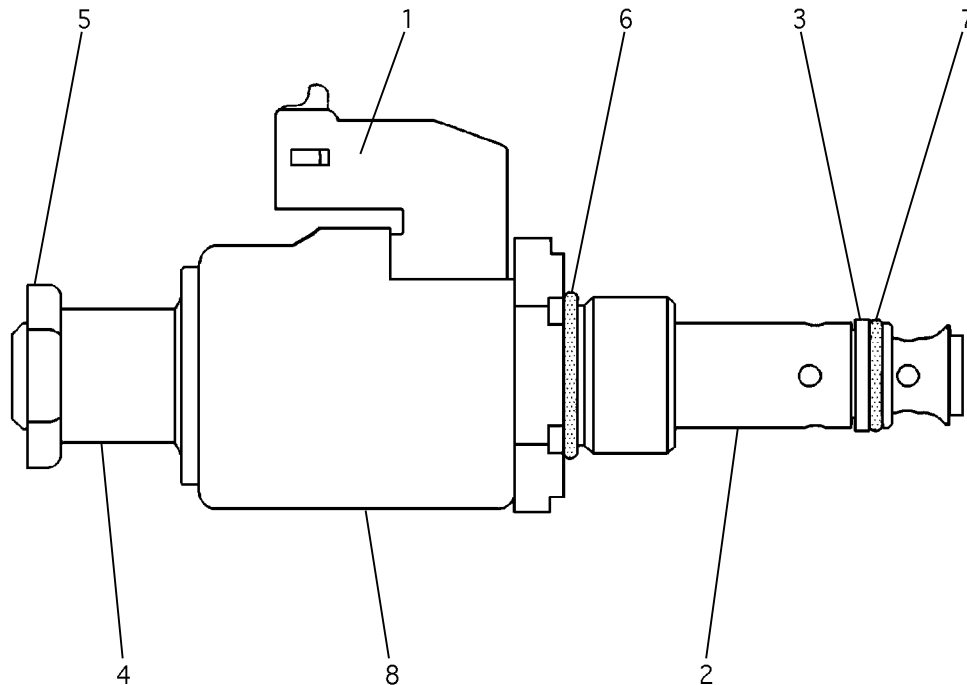
NOTE	REF NO	PART NUMBER	QTY	PART NAME	NOTE	REF NO	PART NUMBER	QTY	PART NAME
M	1	3S2093	6	STRAP-CABLE					
	2	1068704	2	SUPPRESSOR-ARC					
		3E3365	1	WEDGE-RECEP LOCK					
		8T8729	2	PIN-CONNECTOR					
	3	8T8730	1	SOCKET CONNECTOR					
	4	1160118	2	CLIP					
	5	8T8799	2	BOOT					
	6	1293178	1	LOCKNUT (M6)					
	7	4P7429	1	CLIP					
	8	3E7259	1	SENDER AS-TEMP					
		4B2049	1	NUT					
		7X0620	1	WASHER-HARD					
		8F1434	1	LOCKWASHER (#10)					
	9	9X8256	1	WASHER					

M - METRIC PART

1245844 WIRING GP-VEHICLE PART 6 OF 6

Part of 1447169 Electrical Ar

ELECTRICAL AND STARTING SYSTEM



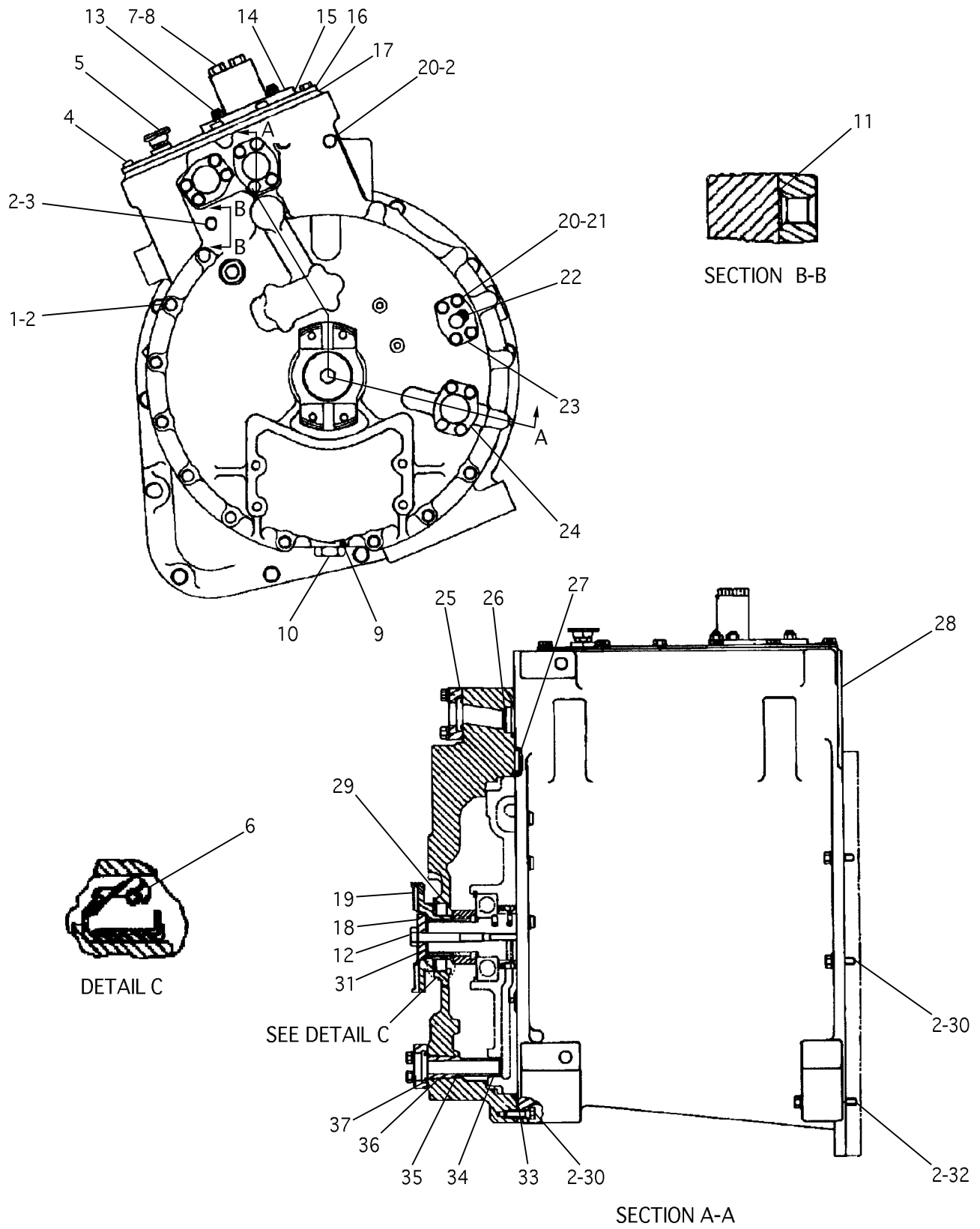
NOTE	REF NO	PART NUMBER	QTY	PART NAME	NOTE	REF NO	PART NUMBER	QTY	PART NAME
	1	1231199	1	SEAL-CONNECTOR					
Z	2	1255636	1	VALVE GP-SOLENOID					
JZ	3	1233132	1	RING-BACK UP					
JZ	4	9X5535	1	SPACER					
JZ	5	8C6711	1	NUT-RETAINER					
JZ	6	0336028	1	SEAL-O-RING (ORB-OD 20.8)					
JZ	7	0336039	1	SEAL-O-RING (ORFS-OD 13.8)					
Z	8	3E2296	1	COIL AS					
		9X1484	1	THE FOLLOWING REPAIR KIT IS AVAILABLE: SEAL KIT (INCL PARTS MARKED J)					

Z - NOT SERVICED SEPARATELY

1225053 VALVE GP-SOLENOID (FUEL PUMP)

Part of 1071228 Pump Gp-Hydraulic

POWER TRAIN



6I9234 CASE GP-TRANSMISSION
Part of 1228646 Transmission Ar

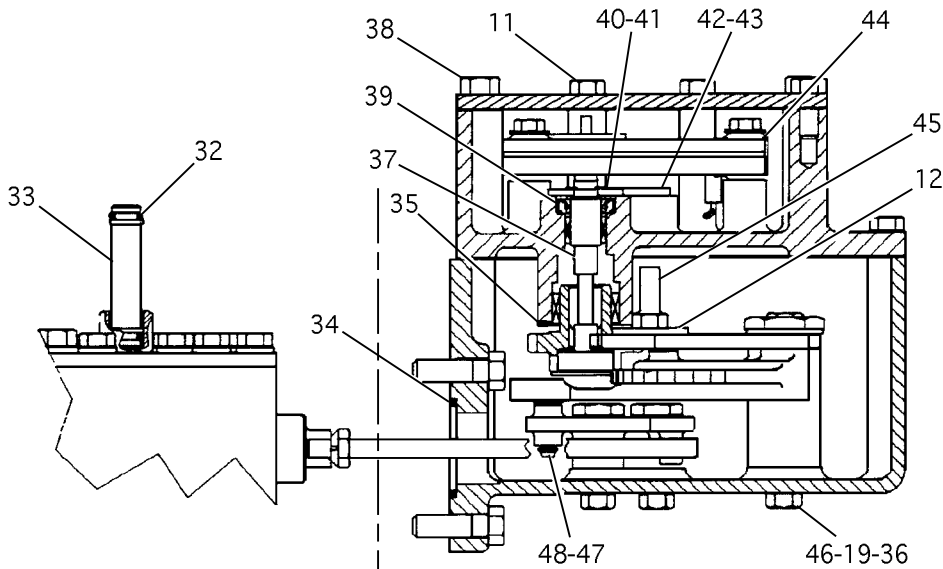
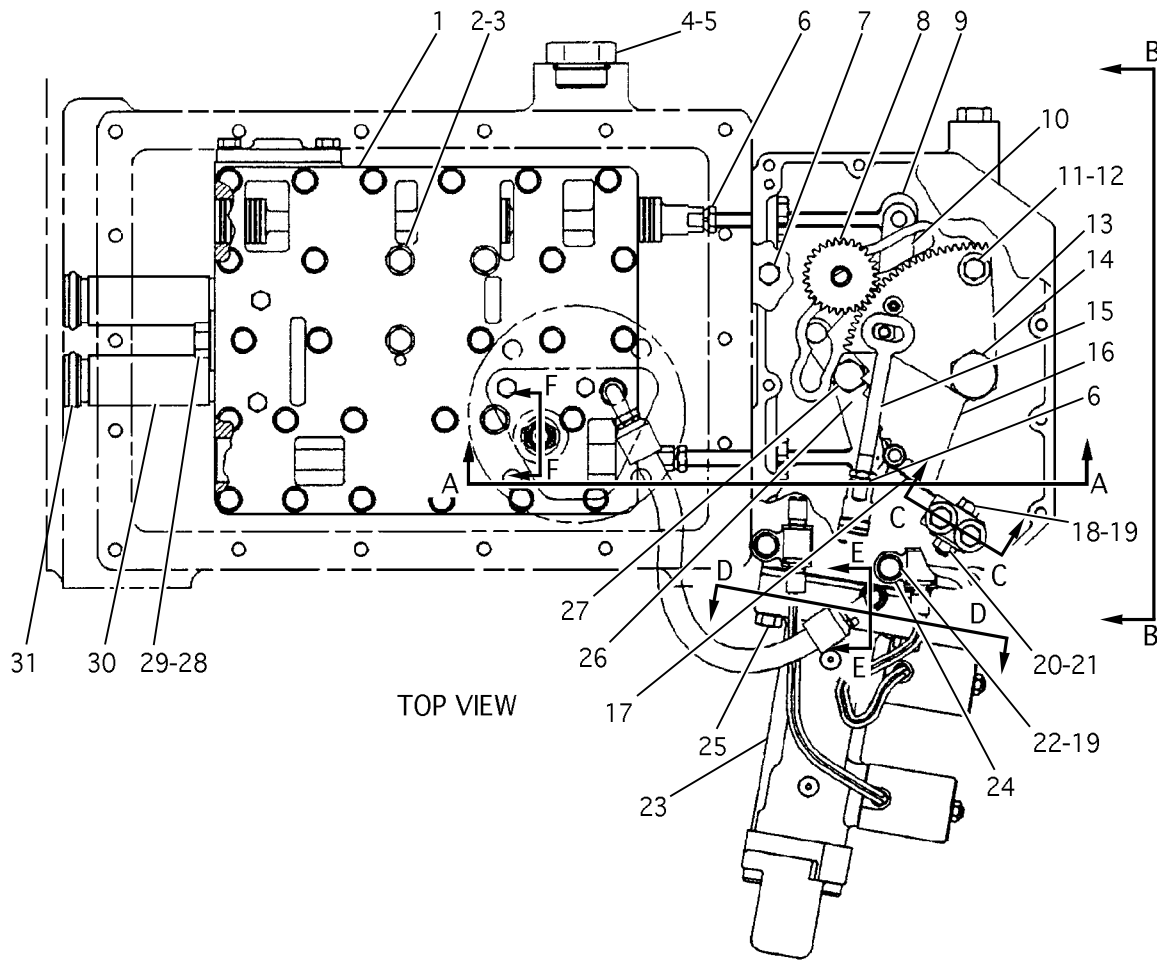
POWER TRAIN

NOTE	REF NO	PART NUMBER	QTY	PART NAME	NOTE	REF NO	PART NUMBER	QTY	PART NAME
	1	0S1590	10	BOLT (3/8)					
	2	5M2894	21	WASHER-HARD					
	3	0L1352	1	BOLT (3/8)					
	4	0L1351	18	BOLT (3/8)					
	5	9G5127	1	BREATHER					
	6	9X7740	1	SEAL-LIP TYPE					
	7	9S4191	2	PLUG-STOP					
	8	3J1907	2	SEAL-O-RING (ORB-OD 15.9)					
	9	7M8485	1	SEAL-O-RING (ORB-OD 35.7)					
	10	9S4181	1	PLUG-O-RING					
	11	4F8946	1	SEAL-O-RING (OD 33.6)					
	12	0L2315	1	BOLT (1/2)					
	13	9S8752	4	NUT-FULL (3/8)					
	14	1312614	1	COVER AS					
	15	7G3737	1	GASKET					
	16	3T3935	1	COVER AS-XMSN					
		5P3494	1	BOSS-PIPE					
		7M7794	4	STUD-WELD					
	17	3P3461	1	GASKET-COVER					
	18	1P6563	1	WASHER-RETAINER					
	19	3P3208	1	FLANGE-JOINT					
	20	5S7382	18	BOLT (3/8)					
	21	8T4896	16	WASHER-HARD					
	22	8M4988	1	SEAL-O-RING (61 FLANGE-OD 32.1)					
	23	1P4576	2	FLANGE-HALF					
	24	1P4577	6	FLANGE-HALF					
	25	1113402	1	COVER-FRONT					
	26	4F7389	2	SEAL-O-RING (OD 48.1)					
	27	1H8171	1	SEAL-O-RING (OD 27.3)					
	28	9P8517	1	CASE-XMSN					
	29	6I9233	1	SPACER					
	30	0S1588	6	BOLT (3/8)					
	31	2H3927	1	SEAL-O-RING (OD 51.3)					
	32	0S1619	2	BOLT (3/8)					
	33	5P9806	1	SEAL-O-RING (OD 441.3)					
	34	4M8303	1	SEAL-O-RING (OD 25.5)					
	35	5H2767	1	SEAL-O-RING (OD 30.5)					
	36	9P2203	1	SLEEVE					
	37	8M4987	3	SEAL-O-RING (61 FLANGE-OD 40)					

6I9234 CASE GP-TRANSMISSION

Part of 1228646 Transmission Ar

POWER TRAIN



REFER TO ALL ILLUSTRATIONS OF THIS GROUP

9U9491 CONTROL GP-TRANSMISSION HYD PART 1 OF 2
Part of 1228646 Transmission Ar

POWER TRAIN

NOTE	REF NO	PART NUMBER	QTY	PART NAME	NOTE	REF NO	PART NUMBER	QTY	PART NAME
Y	1	1374919	1	VALVE GP					
	2	5F4899	4	BOLT					
	3	5M2894	4	WASHER-HARD					
	4	9S4181	1	PLUG-O-RING					
	5	7M8485	1	SEAL-O-RING (ORB-OD 35.7)					
	6	2S5717	3	NUT-LOCK					
	7	1F5842	1	BOLT					
	8	1194341	1	GEAR AS					
		9P9650	1	DOWEL					
	9	9G7351	2	ROD					
	10	9W6376	1	LEVER					
	11	0S1617	6	BOLT					
	12	5P4116	2	WASHER-HARD					
	13	1316007	1	SECTOR					
	14	8E9060	1	PIN-CAM					
	15	9U9633	1	ROD					
	16	1194348	1	CAM					
	17	1605966	1	SPRING AS					
		1S3206	2	BEARING-NEEDLE					
		8P4764	1	PIN					
		1605965	1	SPRING					
	18	1B7182	1	BOLT					
	19	9M1974	6	WASHER-HARD					
	20	0314155	1	LOCKNUT					
	21	9N0869	1	WASHER-HARD					
	22	4B3388	2	BOLT					
Y	23	9U9338	1	CYL GP-SHIFT					
	24	9G9150	2	CLIP					
	25	1A2029	3	BOLT					
	26	9W6375	1	LEVER					
	27	9G7353	2	PIN-LEVER					
	28	8L5922	1	BOLT-LOCKING					
	29	1418466	1	RETAINER					
	30	6P4977	2	SLEEVE					
	31	8M4432	4	SEAL-O-RING (OD 33.6)					
	32	6V4365	4	SEAL-O-RING (OD 14.4)					
	33	1179987	2	SLEEVE					
	34	3H1461	2	SEAL-O-RING (OD 41.6)					
	35	1305620	1	WASHER-THRUST					
	36	1T0738	6	WASHER					
	37	1194345	1	COUPLING AS					
	38	0S1594	4	BOLT					
	39	8S5575	1	SEAL-LIP TYPE					
	40	6N8863	1	WASHER-HARD					
	41	8S7803	1	RING-RETAINING					
	42	9S8005	1	PLUG-O-RING					
	43	3K0360	1	SEAL-O-RING (ORB-OD 20.8)					
Y	44	1274646	1	CONTROL GP					
	45	9U9371	1	BOLT-PIVOT					
	46	2B2695	3	BOLT-LOCKING					
	47	6H5829	2	RING-RETAINING					
	48	9W6374	2	FOLLOWER-CAM					

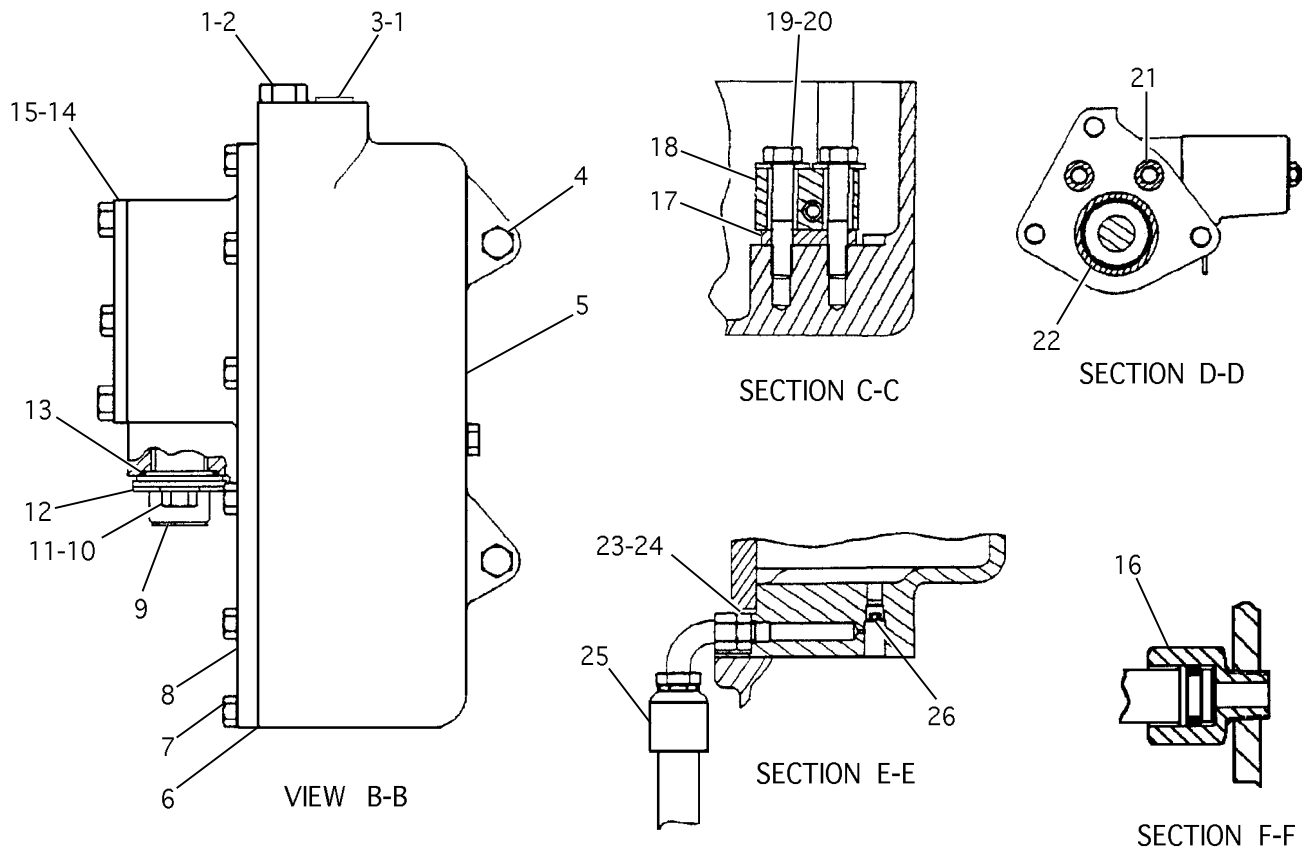
Y - SEPARATE ILLUSTRATION

9U9491 CONTROL GP-TRANSMISSION HYD PART 1 OF 2

1374919-Page 220, 9U9338-Page 193, 1274646-Page 192

Part of 1228646 Transmission Ar

POWER TRAIN



REFER TO ALL ILLUSTRATIONS OF THIS GROUP

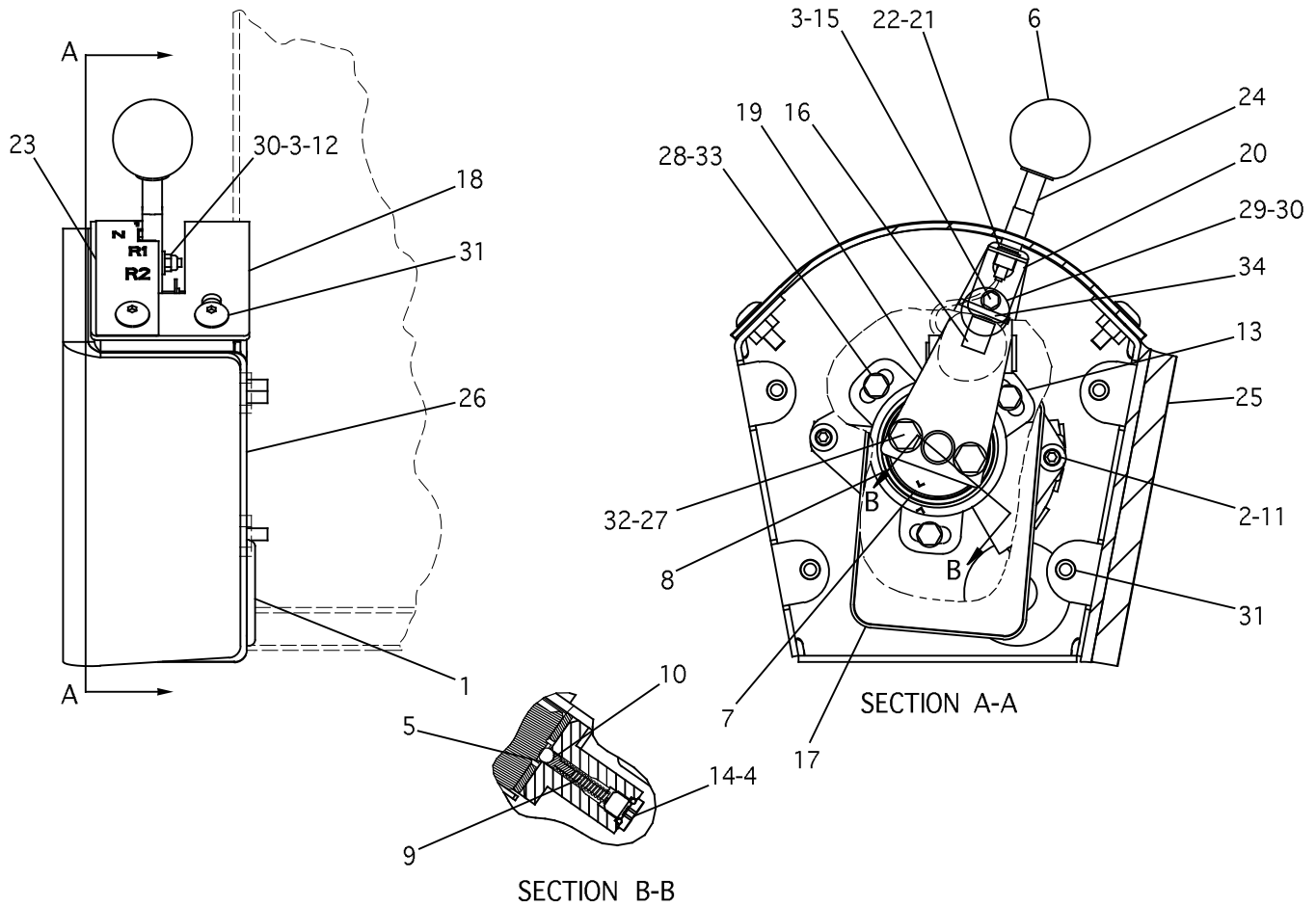
NOTE	REF NO	PART NUMBER	QTY	PART NAME	NOTE	REF NO	PART NUMBER	QTY	PART NAME
E	1	3J1907	2	SEAL-O-RING (ORB-OD 15.9)	E	15	6T5133	1	GASKET
	2	9U9368	1	PLUG AS		16	8E3077	2	ADAPTER (M-NPTF,TUBE)
	3	9S8004	1	PLUG-O-RING		17	1175993	1	BLOCK
	4	0S1588	4	BOLT		18	1270813	1	BLOCK
	5	9U9363	1	HOUSING AS		19	5P4116	2	WASHER-HARD
	6	4F2609	2	DOWEL		20	1B9575	2	BOLT
	7	9U9372	1	GASKET		21	2J6274	2	SEAL-O-RING (OD 124.1)
	8	0S1618	10	BOLT		22	8M4986	1	SEAL-O-RING (61 FLANGE-OD 44.8)
	9	1194347	1	COVER AS		23	1198096	2	CONNECTOR (M-JIC,M-STOR)
	10	6V3545	1	BEARING-ROLLER		24	4J7533	2	SEAL-O-RING (ORB-OD 9.3)
	11	1197316	1	BEARING-NEEDLE		25	1189464	1	HOSE AS
	12	1209288	1	HARNES AS		26	1226877	2.5	HOSE (BULK)
	13	5P8106	28	WIRE-ELECTRICAL			1242000	2	COUPLING
	14	9W3086	1	KEY-POLARIZING			4D0514	1	PLUG-PIPE
	9W3087	7	TERMINAL-CRIMP						
	9W3089	1	HOUSING						
	0S0509	2	BOLT						
	5M2894	2	WASHER-HARD						
	3D4197	1	COVER						
	8M4988	1	SEAL-O-RING (61 FLANGE-OD 32.1)						
	6T5132	1	COVER						

E - ORDER BY THE CENTIMETER

9U9491 CONTROL GP-TRANSMISSION HYD PART 2 OF 2

Part of 1228646 Transmission Ar

POWER TRAIN



NOTE	REF NO	PART NUMBER	QTY	PART NAME	NOTE	REF NO	PART NUMBER	QTY	PART NAME
	1	2V8259	1	GROMMET		22	1311225	1	LIGHT AS
	2	3L2540	2	BOLT-SOCKET HEAD (10-24)			1028802	1	RECEPTACLE KIT
M	3	4B4863	2	WASHER (M4)			3E3365	1	WEDGE-RECEP LOCK
	4	4J7533	4	SEAL-O-RING (ORB-OD 9.3)			8T8729	2	PIN-CONNECTOR
	5	5B9318	4	BALL		23	1312967	1	FILM-INDICATOR
	6	6D0679	1	KNOB		24	1418030	1	STEM
	7	6G0001	1	SHAFT		25	1448506	1	COVER GP
	8	6G4092	2	BEARING-SLEEVE		26	1470638	1	PLATE AS
	9	6G4093	4	SPRING		27	5K0906	2	BOLT (5/16)
	10	6G4134	4	PIN	M	28	6V7357	3	BOLT (M6)
M	11	6V7699	2	WASHER-HARD (M5)		29	1009992	1	WASHER
	12	8T4647	1	SCREW-MACHINE	M	30	8T2659	2	NUT-SELF LOCKING (M4)
	13	8W0976	1	HOUSING	M	31	8T3991	8	SCREW (M6)
	14	9S8001	4	PLUG-O-RING		32	8T4224	2	WASHER-HARD (5/16)
M	15	1128370	1	BOLT (M4)		33	8T4205	3	WASHER-HARD
	16	1160118	1	CLIP AS		34	3S2093	1	STRAP-CABLE
Y	17	1267896	1	SENSOR GP-POSITION					
	18	1302787	1	COVER AS					
	19	1306901	1	LEVER					
	20	1307076	1	BRACKET					
	21	1311224	1	LENS					

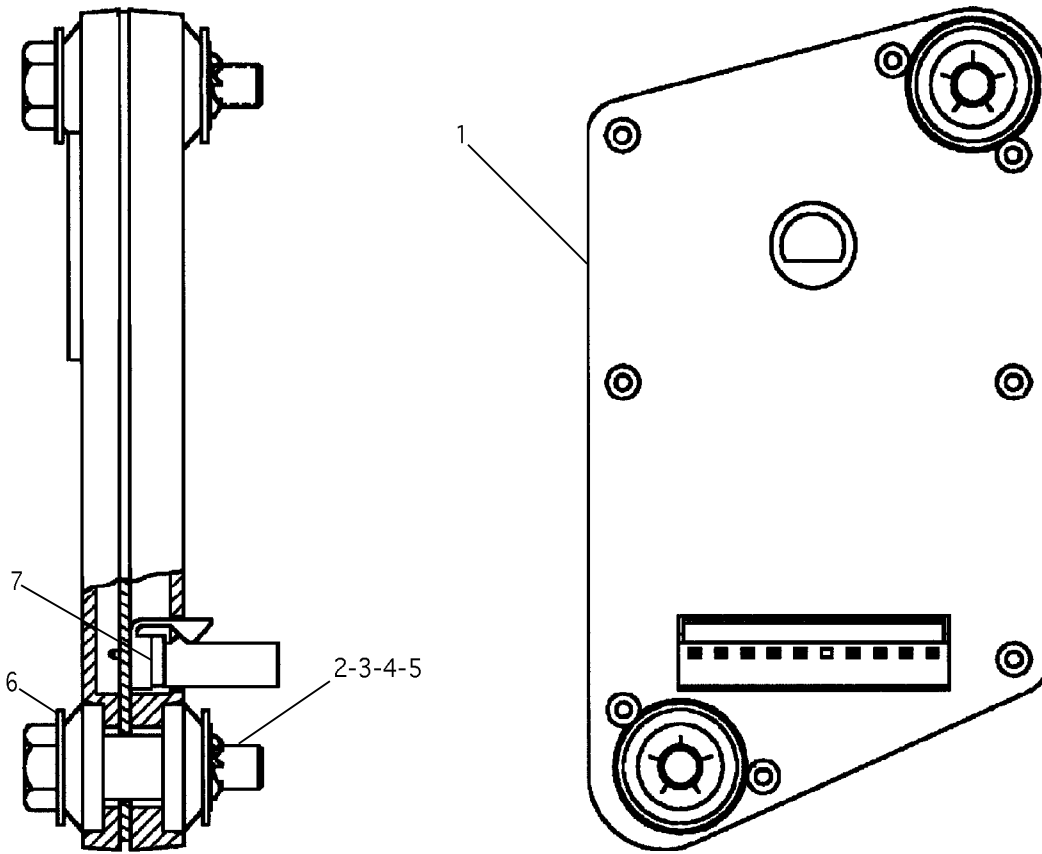
M - METRIC PART
Y - SEPARATE ILLUSTRATION

1450076 CONTROL GP-TRANS GEAR SELECTOR

1267896-Page 158

Part of 1447166 Operator Ar

POWER TRAIN



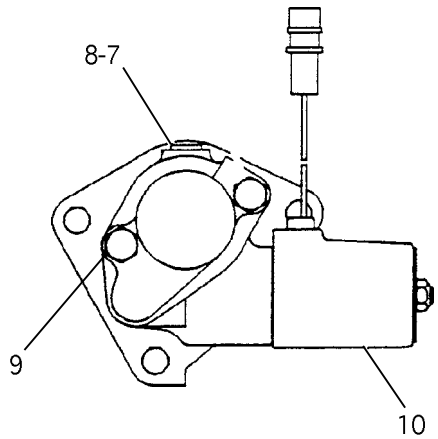
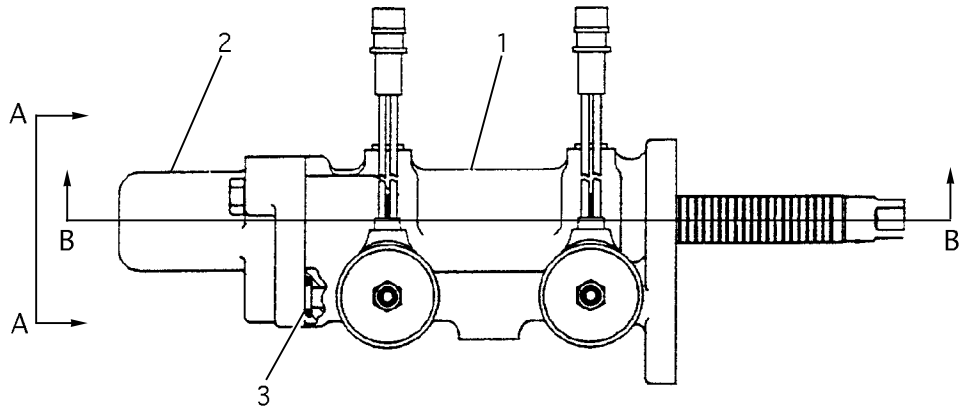
NOTE	REF NO	PART NUMBER	QTY	PART NAME	NOTE	REF NO	PART NUMBER	QTY	PART NAME
Z	1	1188472	1	SENSOR AS-POSITION					
	2	9X2026	4	WASHER					
	3	7B2742	2	BOLT					
	4	8C9649	2	SPACER					
	5	8C9648	4	MOUNT					
	6	7X2031	2	RETAINER					
	7	7T7376	1	SPACER					

Z - NOT SERVICED SEPARATELY

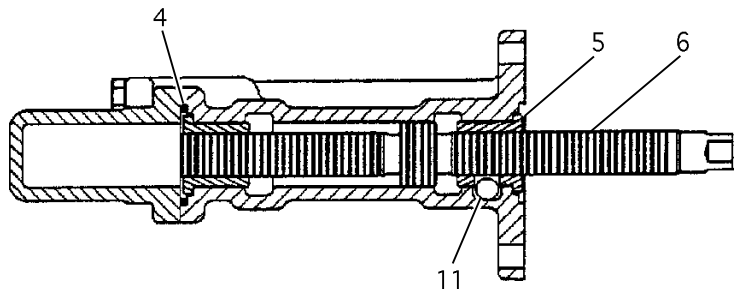
1274646 CONTROL GP-TRANS GEAR SENSOR

Part of 9U9491 Control Gp-Transmission

POWER TRAIN



VIEW A-A



SECTION B-B

NOTE	REF NO	PART NUMBER	QTY	PART NAME	NOTE	REF NO	PART NUMBER	QTY	PART NAME
	1	9U9361	1	BODY-SHIFT CYLINDER					
	2	9U9366	1	COVER					
	3	2J6274	1	SEAL-O-RING (OD 124.1)					
	4	4F7952	1	SEAL-O-RING (OD 44.8)					
	5	9U9374	2	RETAINER					
	6	9U9373	1	SPOOL					
	7	9S8007	2	PLUG-O-RING					
	8	7J0204	2	SEAL-O-RING (ORB-OD 10.9)					
	9	5J5314	2	BOLT					
Y	10	1446293	2	VALVE GP-SOLENIOD					
	11	4B9782	1	BALL					

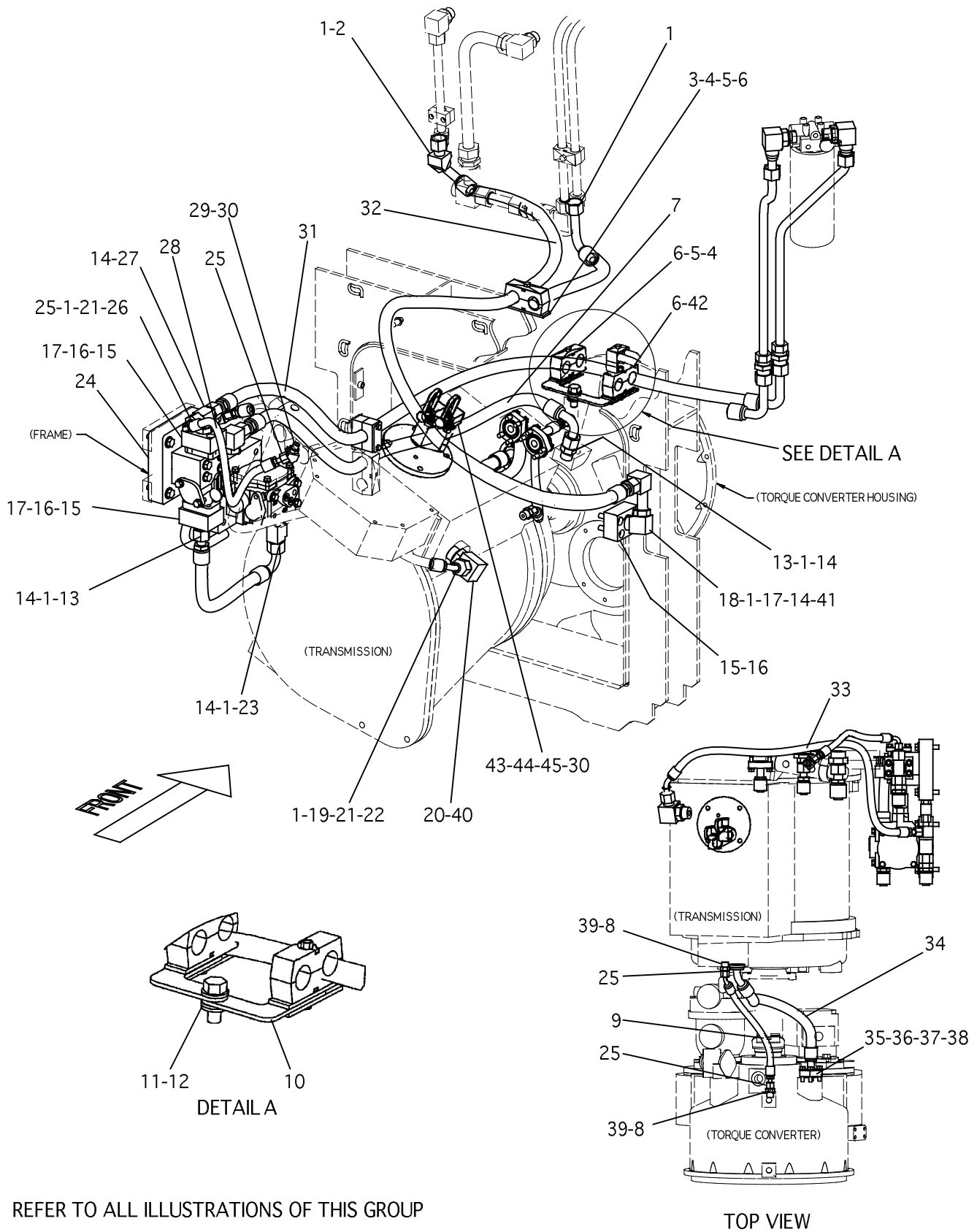
Y - SEPARATE ILLUSTRATION

9U9338 CYLINDER GP-SHIFT

1446293-Page 396

Part of 9U9491 Control Gp-Transmission

POWER TRAIN



1448606 LINES GP-POWER TRAIN OIL PART 1 OF 3
 Part of 1447168 Hydraulic Ar

POWER TRAIN

NOTE	REF NO	PART NUMBER	QTY	PART NAME	NOTE	REF NO	PART NUMBER	QTY	PART NAME
	1	6V9746	9	SEAL-O-RING (ORFS-OD 23.4)		42	8V5719	1	BOLT
	2	8T8899	1	ELBOW 45° (M,F-ORFS)		43	6V0484	2	ADAPTER 90° (M,F-STOR)
	3	8V0409	1	PLATE (UPPER)		44	6V3965	2	NIPPLE AS
	4	7V6234	2	PLATE (LOWER)		45	7X5308	2	CAP-DUST
	5	5P2955	2	BOLT (5/16)					
	6	1832569	6	CLAMP					
	7	1197697	1	HOSE AS					
D		9X2352	1	HOSE (BULK)					
		9X3760	1	COUPLING-HOSE (ORFS)					
		9X3791	1	COUPLING-HOSE 90° (ORFS)					
	8	6V8634	2	CONNECTOR (M-ORFS,M-STOR)					
	9	1256796	1	HOSE AS					
	10	1503124	2	PLATE AS					
		8V0409	1	PLATE					
	11	8T4122	3	WASHER-HARD					
	12	8T9393	1	BOLT (5/8)					
	13	6V8637	2	CONNECTOR (M-ORFS,M-STOR)					
	14	3D2824	5	SEAL-O-RING (ORB-OD 29.5)					
	15	1246143	3	BLOCK					
	16	5K0517	3	BOLT-SOCKET HEAD (7/16)					
	17	4J0522	3	SEAL-O-RING (61 FLANGE-OD 44.8)					
	18	6V9007	1	ELBOW 90° (M-ORFS,M-STOR)					
	19	6V8942	1	REDUCER-O-RING (M,F-ORFS)					
	20	7M8485	1	SEAL-O-RING (ORB-OD 35.7)					
	21	6V8556	2	NUT-ORFS					
	22	6V8398	1	SEAL-O-RING (ORFS-OD 16)					
	23	6V8784	1	TEE (M-ORFS,M-STOR,M-ORFS)					
Y	24	1266629	1	VALVE GP & MTG					
	25	6V8397	4	SEAL-O-RING (ORFS-OD 13.8)					
	26	6V8941	1	REDUCER-O-RING (M,F-ORFS)					
	27	6V8777	1	TEE (M,M-ORFS,M-STOR)					
	28	1129439	1	HOSE AS					
E		9X2349	46	HOSE (BULK)					
		9X3758	1	COUPLING-HOSE (ORFS)					
		9X3783	1	COUPLING-HOSE 90° (ORFS)					
	29	6V9001	1	ELBOW 45° (M-ORFS,M-STOR)					
	30	3J1907	3	SEAL-O-RING (ORB-OD 15.9)					
	31	1249031	1	HOSE AS					
	32	1101986	1	HOSE AS					
D		9X2352	1.8	HOSE (BULK)					
		9X3760	1	COUPLING-HOSE (ORFS)					
		9X3791	1	COUPLING-HOSE 90° (ORFS)					
	33	1275750	1	HOSE AS					
E		9X2350	93	HOSE (BULK)					
		7X1449	1	COUPLING-HOSE (ORFS)					
		7X1450	1	COUPLING-HOSE 45° (ORFS)					
	34	1249030	1	HOSE AS					
		1242053	1	COUPLING-HOSE (CODE 61)					
		1242078	1	COUPLING-HOSE 45° (CODE 61)					
	35	1P4577	2	FLANGE-HALF					
	36	3B1915	4	BOLT (3/8)					
	37	5M2894	4	WASHER-HARD					
	38	4J0520	1	SEAL-O-RING (61 FLANGE-OD 40)					
	39	3K0360	2	SEAL-O-RING (ORB-OD 20.8)					
	40	6V9182	1	ELBOW 90° (M-ORFS,M-STOR)					
	41	6V9853	1	ELBOW 90° (M,F-ORFS)					

D - ORDER BY THE METER
 E - ORDER BY THE CENTIMETER
 Y - SEPARATE ILLUSTRATION

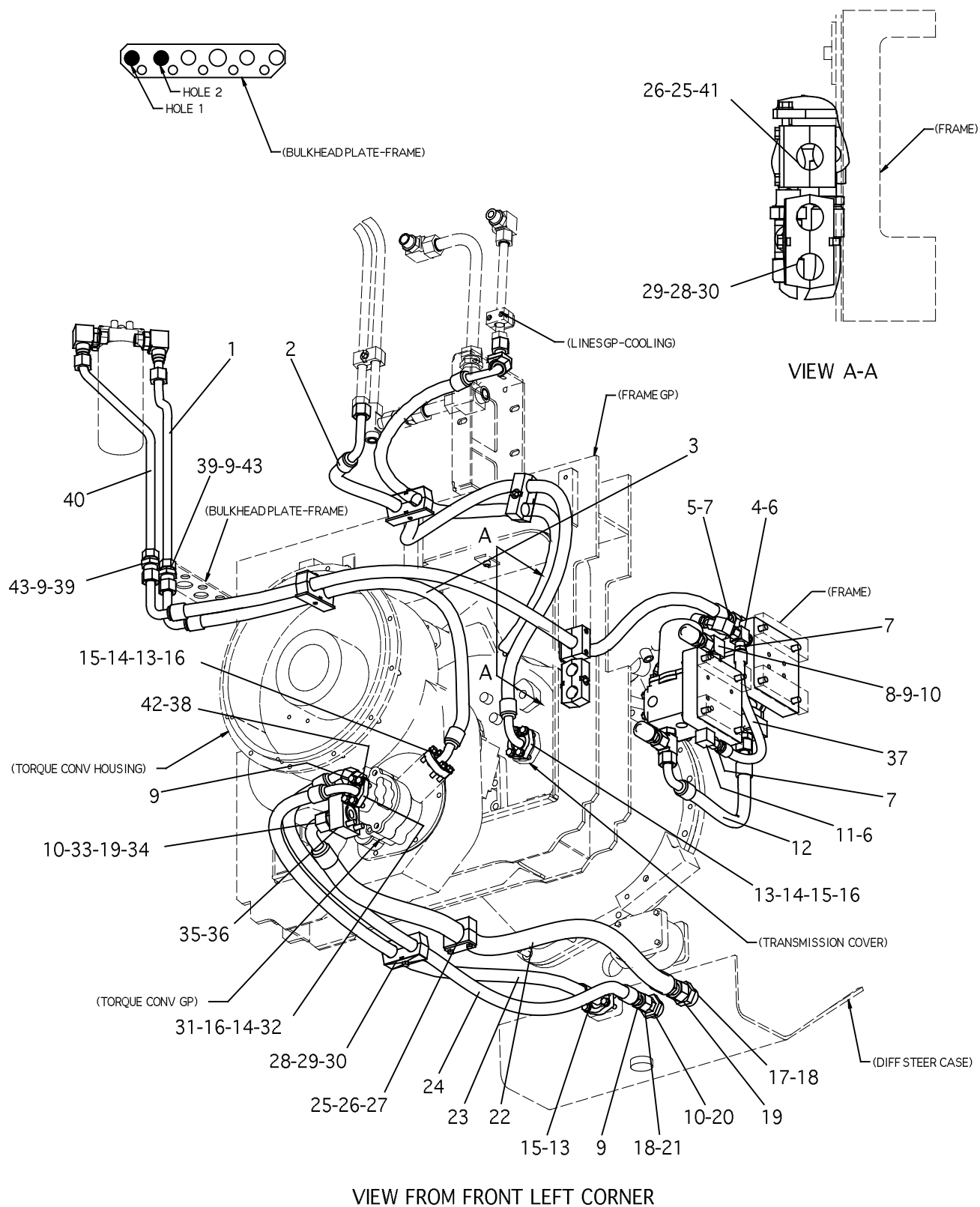
1448606 LINES GP-POWER TRAIN OIL PART 1 OF 3

1266629-Page 296

Part of 1447168 Hydraulic Ar

07

POWER TRAIN



VIEW FROM FRONT LEFT CORNER

REFER TO ALL ILLUSTRATIONS OF THIS GROUP

1448606 LINES GP-POWER TRAIN OIL PART 2 OF 3
 Part of 1447168 Hydraulic Ar

POWER TRAIN

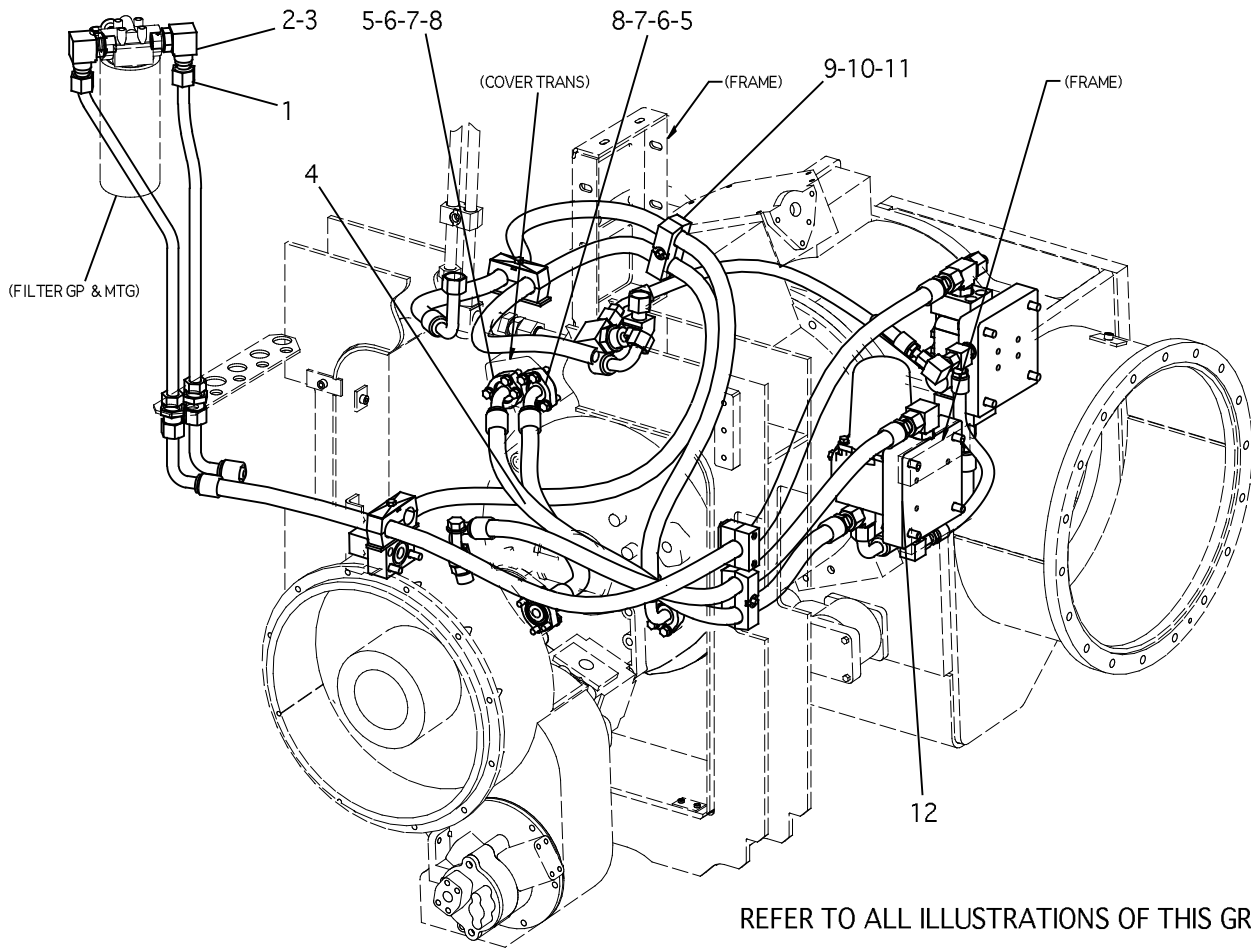
NOTE	REF NO	PART NUMBER	QTY	PART NAME	NOTE	REF NO	PART NUMBER	QTY	PART NAME
	1	1493210	1	TUBE AS					
		6V8556	1	NUT-ORFS					
		6V8563	1	SLEEVE-ORFS					
	2	1243852	1	HOSE AS					
		1242102	1	COUPLING-HOSE 90° (CODE 61)					
	3	1249026	1	HOSE AS					
		1242078	1	COUPLING-HOSE 45° (CODE 61)					
	4	6V8782	1	TEE (M-ORFS,M-STOR,M-ORFS)					
	5	6V9851	1	ELBOW 90° (M,F-ORFS)					
	6	3K0360	2	SEAL-O-RING (ORB-OD 20.8)					
	7	6V8398	3	SEAL-O-RING (ORFS-OD 16)					
	8	6V9007	1	ELBOW 90° (M-ORFS,M-STOR)					
	9	6V9746	5	SEAL-O-RING (ORFS-OD 23.4)					
	10	3D2824	3	SEAL-O-RING (ORB-OD 29.5)					
	11	6V8625	1	ELBOW 90° (M-ORFS,M-STOR)					
	12	1436308	1	HOSE AS					
	13	1P4577	6	FLANGE-HALF					
	14	3B1915	12	BOLT (3/8)					
	15	4J0520	3	SEAL-O-RING (61 FLANGE-OD 40)					
	16	5M2894	12	WASHER-HARD					
	17	6V9875	1	CONNECTOR (M-ORFS,M-STOR)					
	18	2S4078	2	SEAL-O-RING (ORB-OD 43.5)					
	19	5K9090	2	SEAL-O-RING (ORFS-OD 28)					
	20	6V8637	1	CONNECTOR (M-ORFS,M-STOR)					
	21	4S6679	1	ADAPTER (M,F-STOR)					
	22	1249035	1	HOSE AS					
	23	1249036	1	HOSE AS					
		1242053	1	COUPLING-HOSE (CODE 61)					
		1242101	1	COUPLING-HOSE 90° (CODE 61)					
E	24	1279233	1	HOSE AS					
		9X2352	125	HOSE (BULK)					
		9X3760	1	COUPLING-HOSE (ORFS)					
		9X3776	1	COUPLING-ORFS 45° (ORFS)					
	25	7X0264	4	BOLT (1/4)					
	26	7R7951	1	PLATE (OUTER)					
	27	5V6152	2	CLAMP					
	28	7V6234	2	PLATE					
	29	5P2955	2	BOLT (5/16)					
	30	1832569	4	CLAMP					
	31	4J5267	1	SEAL-O-RING (61 FLANGE-OD 32.1)					
	32	1P4576	2	FLANGE-HALF					
	33	4J0522	1	SEAL-O-RING (61 FLANGE-OD 44.8)					
	34	6V8714	1	CONNECTOR (M-ORFS,M-STOR)					
	35	5K0517	4	BOLT-SOCKET HEAD (7/16)					
	36	1246143	1	BLOCK					
	37	8W6649	1	HOSE AS					
	38	6V8716	1	CONNECTOR (M-ORFS,M-STOR)					
	39	2P1293	2	LOCKNUT-BULKHEAD					
	40	1493211	1	TUBE AS					
		6V8556	1	NUT-ORFS					
		6V8563	1	SLEEVE-ORFS					
	41	7R7939	2	CLAMP-PIPE					
	42	7M8485	1	SEAL-O-RING (ORB-OD 35.7)					
B	43	677832	10	WASHER-BEARING					

B - USE AS REQUIRED
 E - ORDER BY THE CENTIMETER

1448606 LINES GP-POWER TRAIN OIL PART 2 OF 3

Part of 1447168 Hydraulic Ar

POWER TRAIN



REFER TO ALL ILLUSTRATIONS OF THIS GROUP

NOTE	REF NO	PART NUMBER	QTY	PART NAME	NOTE	REF NO	PART NUMBER	QTY	PART NAME
	1	6V9746	2	SEAL-O-RING (ORFS-OD 23.4)					
	2	3D2824	2	SEAL-O-RING (ORB-OD 29.5)					
	3	6V9007	2	ELBOW 90° (M-ORFS,M-STOR)					
	4	1246142	1	HOSE AS					
		1242078	1	COUPLING-HOSE 45° (CODE 61)					
	5	4J0520	2	SEAL-O-RING (61 FLANGE-OD 40)					
	6	5M2894	8	WASHER-HARD					
	7	3B1915	8	BOLT (3/8)					
	8	1P4577	4	FLANGE-HALF					
	9	1832569	2	CLAMP					
	10	5P2955	1	BOLT (5/16)					
	11	7V6234	1	PLATE					
Y	12	1266628	1	VALVE GP & MTG					

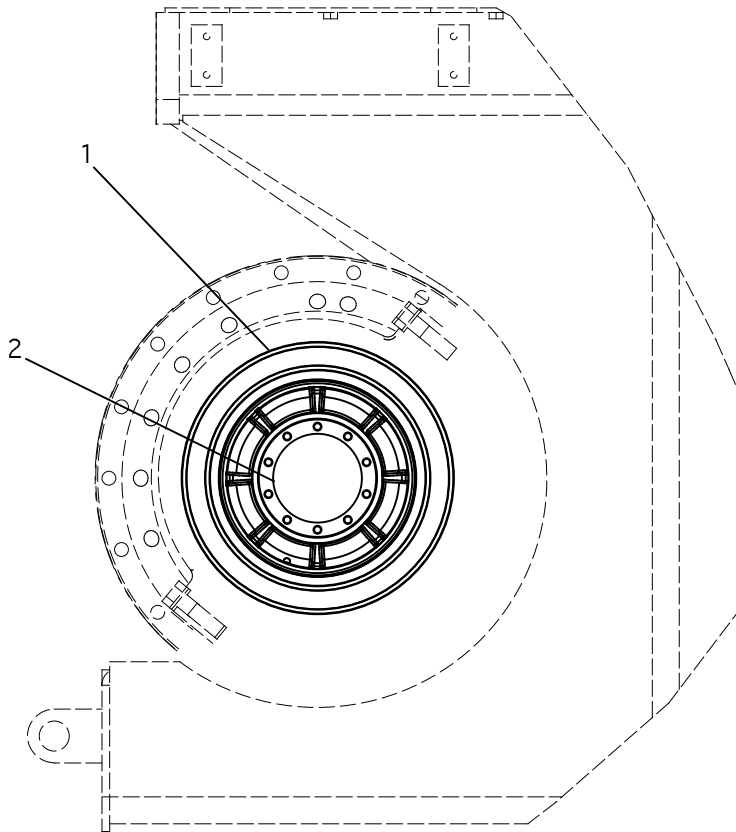
Y - SEPARATE ILLUSTRATION

1448606 LINES GP-POWER TRAIN OIL PART 3 OF 3

1266628-Page 216

Part of 1447168 Hydraulic Ar

POWER TRAIN



NOTE	REF NO	PART NUMBER	QTY	PART NAME	NOTE	REF NO	PART NUMBER	QTY	PART NAME
Y	1	1251297	2	BUSHING					
	2	1455248	1	STEERING GP-DIFFERENTIAL					

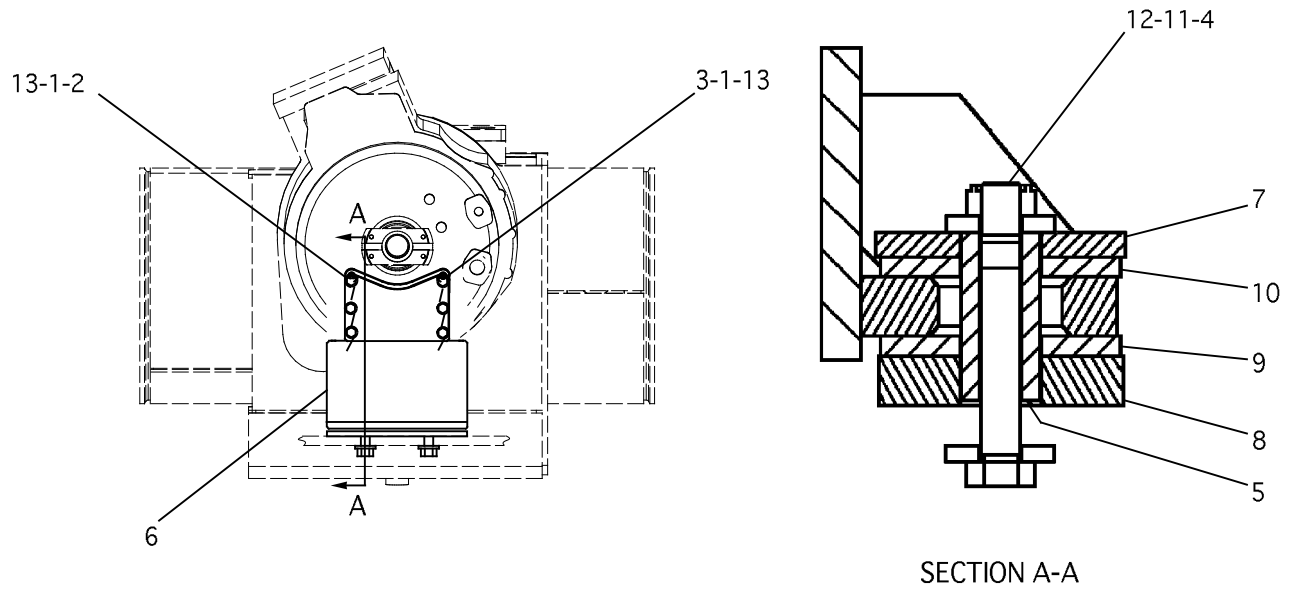
Y - SEPARATE ILLUSTRATION

1302595 MOUNTING GP-TRANSAXLE

1455248-Page 292

Part of 1447165 Power Train Ar

POWER TRAIN



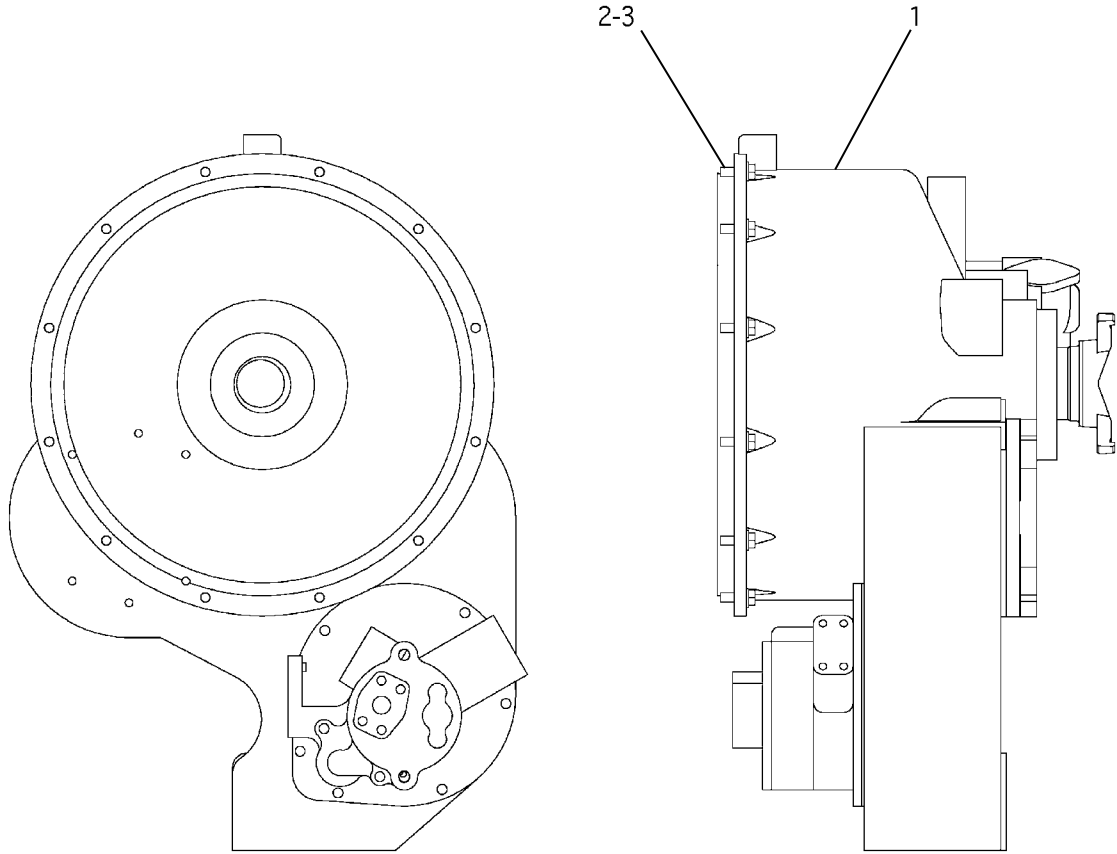
NOTE	REF NO	PART NUMBER	QTY	PART NAME	NOTE	REF NO	PART NUMBER	QTY	PART NAME
E	1	5P0562	20	WIRE-LOCK					
	2	2J8592	3	BOLT-HEX (1/2)					
	3	4S8964	3	BOLT-HEX (1/2)					
	4	0860299	4	WASHER					
	5	1376627	2	SLEEVE					
	6	1561564	1	SUPPORT AS					
	7	1695448	2	PLATE					
	8	1695449	1	PLATE					
	9	1695450	1	BELT					
	10	1695451	2	BELT					
M	11	6V7688	2	LOCKNUT (M20)					
M	12	8T4170	2	BOLT-HEX HEAD (M20)					
	13	8T4223	6	WASHER					
	14	8T4994	2	WASHER (3/4)					

E - ORDER BY THE CENTIMETER
M - METRIC PART

1561565 MOUNTING GP-TRANSMISSION

Part of 1447165 Power Train Ar

POWER TRAIN



NOTE	REF NO	PART NUMBER	QTY	PART NAME	NOTE	REF NO	PART NUMBER	QTY	PART NAME
Y	1	1228644	1	TORQUE CONVERTER GP-HOUSING					
	2	8T4121	12	WASHER					
M	3	8T4195	12	BOLT-HEX HEAD (M10)					

M - METRIC PART
Y - SEPARATE ILLUSTRATION

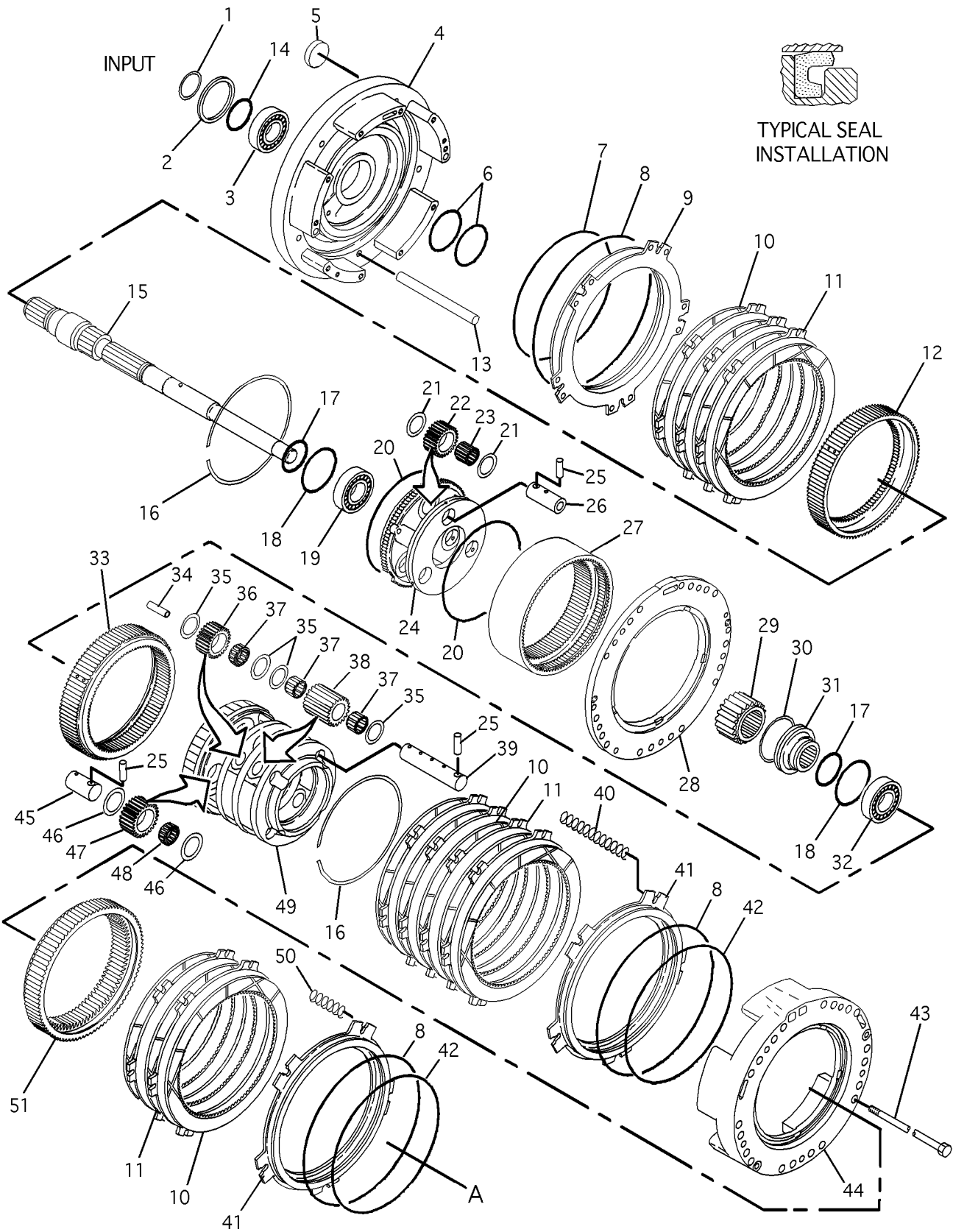
1752284 MOUNTING GP-TORQUE CONVERTER

1228644-Page 208

Part of 1447165 Power Train Ar

00

POWER TRAIN



1245269 PLANETARY GP PART 1 OF 2
Part of 1228646 Transmission Ar

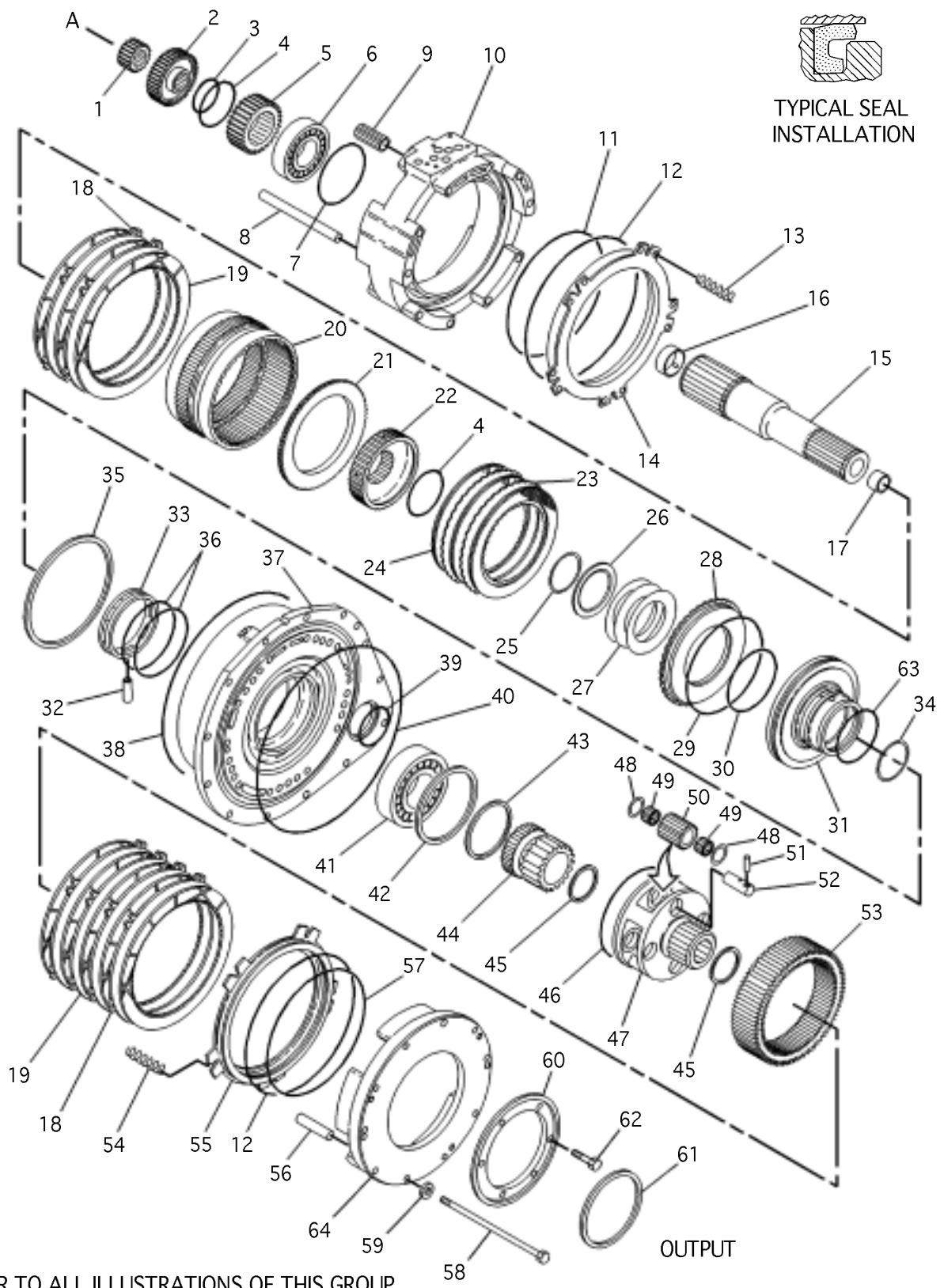
POWER TRAIN

NOTE	REF NO	PART NUMBER	QTY	PART NAME	NOTE	REF NO	PART NUMBER	QTY	PART NAME
	1	5H0034	1	RING-RETAINING					
	2	0673161	1	RING-RETAINING					
	3	4F2393	1	BEARING-BALL					
	4	1123632	1	HOUSING AS					
	5	3P7009	1	PLUG-METAL CUP					
	6	3T4377	2	SEAL-RING					
	7	9G0281	1	RING-SEAL					
	8	8P2022	3	RING-SEAL					
	9	9G0280	1	PISTON-CLUTCH					
	10	9P7390	12	DISC AS-FRICTION					
	11	8P2051	9	PLATE-CLUTCH					
	12	6Y1602	1	COUPLING					
	13	3K2511	5	DOWEL-REACTION					
	14	8M5661	1	SEAL-O-RING (61 FLANGE-OD 54.3)					
	15	6I8498	1	SHAFT AS-INPUT					
		4B9783	1	BALL					
		8M5010	1	SEAL-O-RING (61 FLNG-OD 60.6)					
		8M5661	1	SEAL-O-RING (61 FLNG-OD 54.3)					
	16	1444284	2	RING-LOCK					
	17	8M5010	2	SEAL-O-RING (61 FLANGE-OD 60.6)					
	18	0688093	2	RING-RETAINING					
	19	8H5352	1	BEARING-BALL					
	20	1314091	2	SEAL-RING					
	21	8E8305	6	DISC-THRUST					
	22	8P1919	3	GEAR-PLANETARY (27 TEETH)					
	23	5D2989	3	BEARING					
	24	6Y4847	1	CARRIER-PLANETARY					
	25	3S2708	11	PIN-SPRING					
	26	8P2043	3	SHAFT-PLANETARY					
	27	8P1948	1	GEAR-RING (88 TEETH)					
	28	6Y4830	1	PLATE AS					
		5H6202	2	PIN					
		6Y4829	1	PLATE-CENTER					
	29	8P1914	1	GEAR-SUN (36 TEETH)					
	30	4H7925	1	RING-METAL SEAL					
	31	6Y4439	1	CARRIER-RING					
	32	6Y4848	1	BEARING-SPL BALL					
	33	6Y4427	1	GEAR-RING (90 TEETH)					
	34	5M6212	2	TUBE					
	35	8E8301	16	DISC-THRUST					
	36	8P7888	4	GEAR-PLANETARY (21 TEETH)					
	37	9U9660	12	BEARING-ROLLER					
	38	6Y4421	4	GEAR-PLANETARY (21 TEETH)					
	39	6Y4425	4	SHAFT-PLANETARY					
	40	7H7658	10	SPRING					
	41	8P9507	2	PISTON-CLUTCH					
	42	8P2019	2	RING-SEAL					
	43	1A5183	2	BOLT (3/8)					
	44	6Y4442	1	HOUSING-CLUTCH					
	45	6Y4422	4	SHAFT-PLANETARY					
	46	8E8310	8	DISC-THRUST					
	47	6Y4420	4	GEAR-PLANETARY					
	48	5P6254	4	BEARING					
	49	6I9732	1	CARRIER-PLANETARY					
	50	4M9592	10	SPRING					
	51	8P7890	1	GEAR-RING (41 TEETH)					

1245269 PLANETARY GP PART 1 OF 2

Part of 1228646 Transmission Ar

POWER TRAIN



REFER TO ALL ILLUSTRATIONS OF THIS GROUP

1245269 PLANETARY GP PART 2 OF 2
Part of 1228646 Transmission Ar

POWER TRAIN

NOTE	REF NO	PART NUMBER	QTY	PART NAME	NOTE	REF NO	PART NUMBER	QTY	PART NAME
	1	1839327	1	GEAR-SUN		52	8P7898	4	SHAFT-PLANETARY
	2	6Y4714	1	GEAR-SUN (48 TEETH)		53	8P7904	1	GEAR-RING (75 TEETH)
	3	6V3213	1	RING-RETAINING		54	7M1199	10	SPRING
	4	5P5296	2	RING-RETAINING		55	9G0280	1	PISTON-CLUTCH
	5	6Y4423	1	GEAR-SUN (51 TEETH)		56	4M1677	5	DOWEL-REACTION
	6	6Y4849	1	BEARING-SPL BALL		57	9G0281	1	RING-SEAL
	7	7X7463	1	RING-RETAINING		58	2P5860	10	BOLT (1/2)
	8	3K2511	5	DOWEL-REACTION		59	5P8245	10	WASHER-HARD
	9	9M4355	10	DAMPER-BOLT		60	1245982	1	CAGE-BEARING
	10	1177826	1	HOUSING AS-CLUTCH		61	9H5322	1	RACE-SPL ROLLER BRG
		1A2223	4	DOWEL		62	0L1351	6	BOLT (3/8)
	11	8P2019	1	RING-SEAL		63	8M5255	1	SEAL-O-RING (61 FLANGE-OD 127.3)
	12	8P2022	2	RING-SEAL		64	1245271	1	HOUSING AS-CLUTCH
	13	8J6704	10	SPRING			1A2223	2	DOWEL
	14	8P9507	1	PISTON-CLUTCH					
	15	8P7895	1	SHAFT AS-OUTPUT					
	16	9F1847	1	BEARING-SLEEVE (OD 1.85)					
	17	9G7197	1	BEARING-SLEEVE (OD 38.1)					
	18	6I8500	6	PLATE-CLUTCH					
	19	6Y5911	8	DISC-FRICTION					
	20	9W8530	1	GEAR-RING (90 TEETH)					
	21	9W8529	1	PLATE-CLUTCH					
	22	6Y4424	1	HUB AS-ROTATING					
		4S8537	1	DOWEL					
	23	8P1964	3	PLATE-CLUTCH					
	24	6Y5912	4	DISC-FRICTION					
	25	6V2478	1	RING-RETAINING					
	26	9G8020	1	PLATE-RETAINER					
	27	7G2343	3	SPRING-DISC					
	28	7G7724	1	PISTON-CLUTCH					
	29	8P2023	1	RING-SEAL					
	30	8D9739	1	SEAL-RING					
	31	6I8510	1	HOUSING AS-CLUTCH					
	32	6B6863	1	PIN-SPRING					
	33	6P7704	1	CARRIER-RING					
	34	7G3975	1	RING-RETAINING					
	35	5P8194	1	RING-RETAINING					
	36	7G2830	2	RING-SEAL					
	37	1245270	1	MANIFOLD AS					
		4B9784	1	BALL					
		5M7937	1	DOWEL (32 MM LG)					
		7M1201	1	DOWEL (51 MM LG)					
	38	5P9806	1	SEAL-O-RING (OD 441.3)					
	39	4L9564	2	SEAL-O-RING (OD 92.6)					
	40	3S9896	1	SEAL-O-RING (OD 444.6)					
	41	5P5045	1	BEARING-SPL BALL					
	42	1L7388	1	RING-RETAINING					
	43	5P5297	1	RING-RETAINING					
	44	8P7896	1	GEAR-SUN (32 TEETH)					
	45	5K4627	2	RING-RETAINING					
	46	7G5670	1	SEAL-RING					
	47	8P7897	1	CARRIER-OUTPUT					
	48	8E8307	8	DISC-THRUST					
	49	4M3915	8	BEARING-CAGED					
	50	8P7899	4	GEAR-PLANETARY (20 TEETH)					
	51	3S2708	4	PIN-SPRING					

1245269 PLANETARY GP PART 2 OF 2

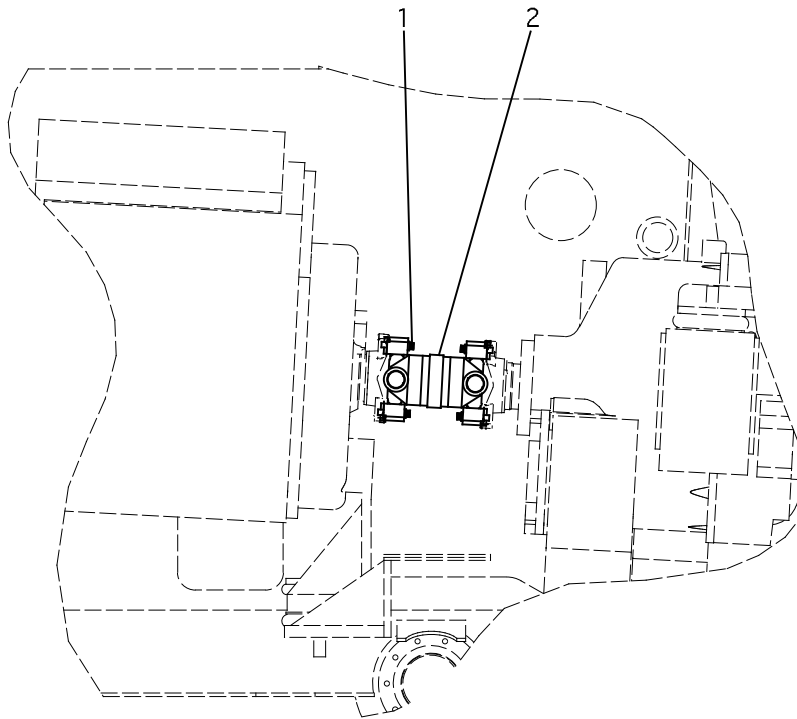
Part of 1228646 Transmission Ar

POWER TRAIN

1	1302595	MTG GP-TRANSAXLE.....	199
1	1561565	MTG GP-TRANSMISSION.....	200
1	1752284	MTG GP-TORQUE CONVERTER	201
2	1250110	MTG GP-WHEEL	244
1	1228643	SHAFT GP-MAIN	205
1	1228646	TRANSMISSION AR	212

1447165 POWER TRAIN AR
 Part of 1447162 General Ar

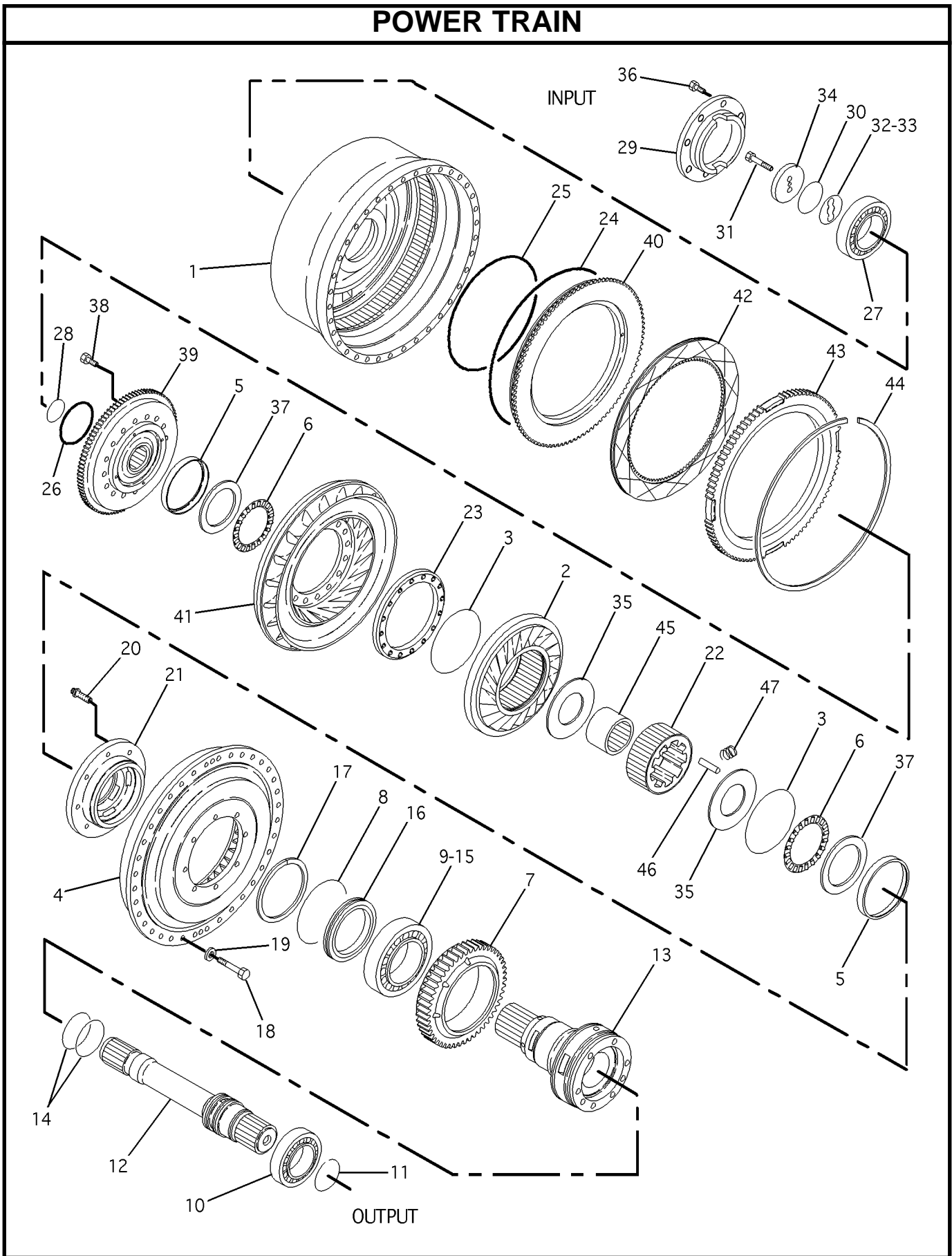
POWER TRAIN



NOTE	REF NO	PART NUMBER	QTY	PART NAME	NOTE	REF NO	PART NUMBER	QTY	PART NAME
	1	1T0954	8	BOLT-12 POINT HD (3/8-24)					
	2	1291909	1	SHAFT-DRIVE					

1228643 SHAFT GP-MAIN
 Part of 1447165 Power Train Ar

POWER TRAIN



1268292 TORQUE CONVERTER GP
Part of 1228644 Torque Converter Gp-Housing

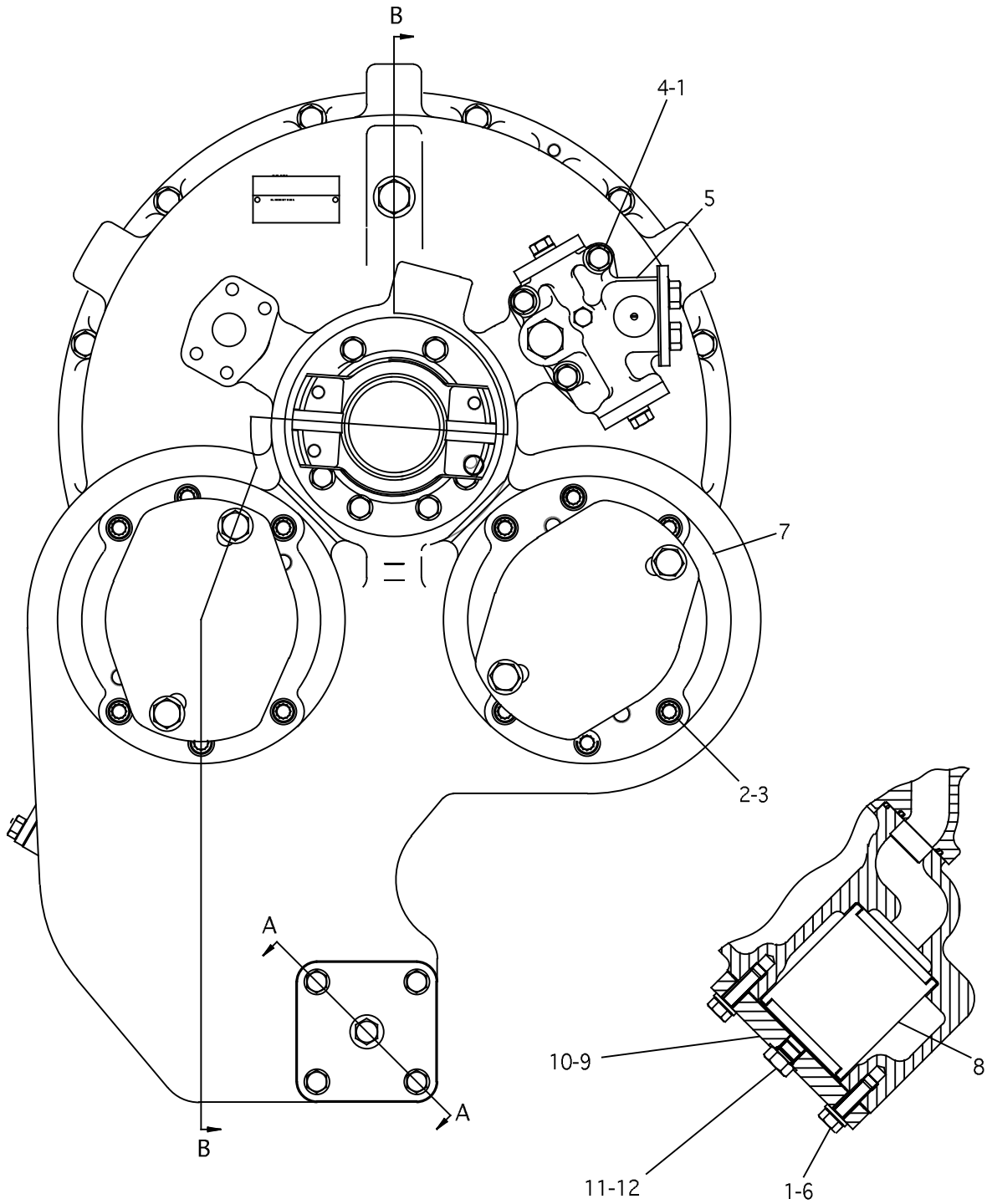
POWER TRAIN

NOTE	REF NO	PART NUMBER	QTY	PART NAME	NOTE	REF NO	PART NUMBER	QTY	PART NAME
	1	6Y5968	1	HOUSING-ROTATING					
	2	7G8432	1	STATOR-CONVERTER					
	3	5P7074	2	RING-RETAINING					
	4	7T4754	1	IMPELLER-CONVERTER					
	5	1T1281	2	RETAINER-BEARING					
	6	1T1278	2	BEARING-THRUST					
	7	8P1636	1	GEAR-PUMP DRIVE					
	8	9F3788	1	RING-METAL SEAL					
	9	1367813	1	BEARING-INNER					
	10	1F2771	1	BEARING-BALL					
	11	2K5967	1	RING-RETAINING					
	12	6I8302	1	SHAFT-OUTPUT					
	13	8P8567	1	CARRIER-STATOR					
	14	7G4822	2	RING-SEAL					
	15	5P5167	1	RACE-BEARING OUTER					
	16	6Y1690	1	CARRIER-RING					
	17	5P5072	1	RING-RETAINING					
	18	0S1588	36	BOLT (3/8)					
	19	1T0689	36	WASHER					
	20	5P0076	8	BOLT-12 POINT HD (3/8)					
	21	8P8677	1	HUB-IMPELLER					
	22	7G8430	1	CAM-FREEWHEEL					
	23	8P8553	1	RING-CLAMP					
	24	8S3521	1	RING-SEAL					
	25	8S3373	1	RING-SEAL					
	26	7G8427	1	RING-SEAL					
	27	1S3743	1	BEARING-BALL					
	28	8B2327	1	RING-RETAINER					
	29	8P8560	1	COVER					
	30	5P5846	1	SEAL-O-RING (OD 51.3)					
	31	0T0924	2	BOLT (3/8)					
	32	8P9714	3	SHIM-0.08 MM (.03 IN)					
	33	8P9715	2	SHIM-0.25 MM (.010 IN)					
	34	8P8552	1	RETAINER					
	35	8P8569	2	RACE-THRUST					
	36	0L1351	8	BOLT (3/8)					
	37	1T1282	2	RACE-BEARING THRUST					
	38	1A2029	16	BOLT (3/8)					
	39	7G8431	1	HUB-TURBINE					
	40	8P8565	1	PISTON-CLUTCH					
	41	8P0953	1	TURBINE-CONVERTER					
	42	9P4878	1	DISC-FRICTION					
	43	1304629	1	PLATE-CLUTCH BACK					
	44	8P8759	1	RING-RETAINING					
	45	8P8555	1	RACE-FREEWHEEL					
	46	8P7857	9	ROLLER-FREEWHEEL					
	47	8P7858	9	SPRING-FREEWHEEL					

1268292 TORQUE CONVERTER GP

Part of 1228644 Torque Converter Gp-Housing

POWER TRAIN



REFER TO ALL ILLUSTRATIONS OF THIS GROUP

SECTION A-A

1228644 TORQUE CONVERTER GP-HOUSING PART 1 OF 2
Part of 1752284 Mtg Gp-Torque Converter

POWER TRAIN

NOTE	REF NO	PART NUMBER	QTY	PART NAME	NOTE	REF NO	PART NUMBER	QTY	PART NAME
Y	1	5M2894	7	WASHER-HARD					
	2	1T0720	12	BOLT-12 POINT HD (3/8)					
	3	3V2431	12	WASHER-HARD					
	4	0S1619	3	BOLT (3/8)					
	5	1444039	1	VALVE GP-RELIEF					
	6	0S1588	4	BOLT (3/8)					
	7	8E3098	2	ADAPTER-PUMP					
	8	8S9130	1	SCREEN-SUCTION					
	9	1339118	1	COVER					
	10	7L3111	1	GASKET					
	11	9S4191	1	PLUG-STOP					
	12	3J1907	1	SEAL-O-RING (ORB-OD 15.9)					

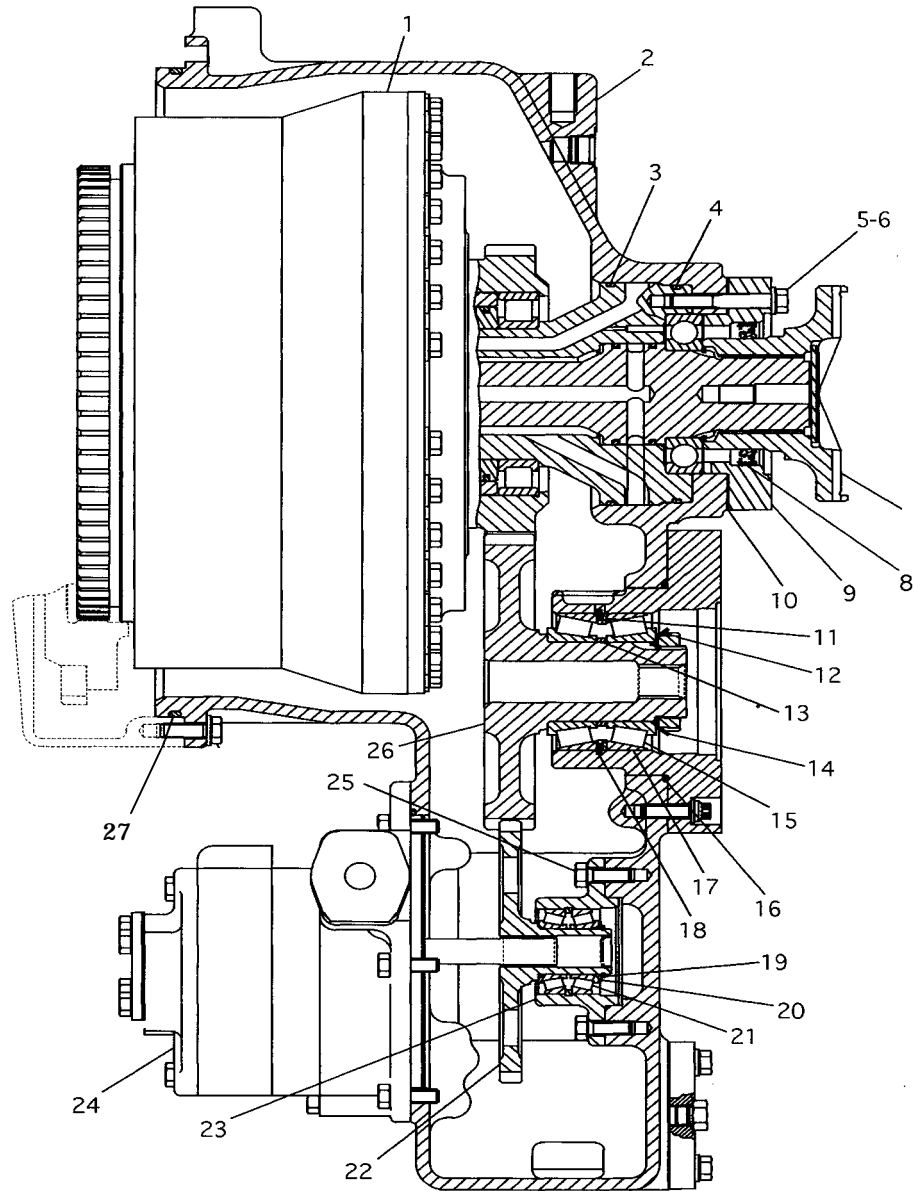
Y - SEPARATE ILLUSTRATION

1228644 TORQUE CONVERTER GP-HOUSING PART 1 OF 2

1444039-Page 218

Part of 1752284 Mtg Gp-Torque Converter

POWER TRAIN



SECTION B-B

REFER TO ILLUSTRATIONS OF THIS GROUP

1228644 TORQUE CONVERTER GP-HOUSING PART 2 OF 2
Part of 1752284 Mtg Gp-Torque Converter

POWER TRAIN

NOTE	REF NO	PART NUMBER	QTY	PART NAME	NOTE	REF NO	PART NUMBER	QTY	PART NAME
Y	1	1268292	1	TC GP-BASIC					
	2	8P8550	1	COVER-TC					
	3	2D8009	1	SEAL-O-RING (OD 149.5)					
	4	8F9516	1	SEAL-O-RING (OD 146.4)					
	5	0L1143	8	BOLT (3/8)					
	6	5M2894	8	WASHER-HARD					
	7	1274682	1	YOKE AS					
		7J3958	1	DISC					
	8	9X7743	1	SEAL-LIP TYPE					
	9	1274679	1	CARRIER-SEAL					
	10	8P9111	1	GASKET					
	11	5P7002	2	SPACER-CUP					
	12	2B3457	2	NUT-BEARING LOCK					
	13	5P7001	2	SPACER-CONE					
	14	2B3455	2	LOCK-NUT					
	15	7J8893	4	CONE-ROLLER BRG					
	16	5F3106	2	SEAL-O-RING (OD 133.7)					
	17	7J8894	4	CUP-ROLLER BRG					
	18	1M8651	2	RING-RETAINING					
	19	2M4287	1	RING-SNAP					
	20	8P8701	1	WASHER-THRUST					
	21	5P7068	1	BEARING AS-ROLLER					
	22	8P8702	1	GEAR AS					
	4N0952	1	PLUG-CUP						
	8P8700	1	CAGE-BEARING						
Y	24	1249407	1	PUMP GP-GEAR					
	25	0S1594	4	BOLT (3/8)					
	26	1274678	2	GEAR-PUMP DRIVE					
	27	1448299	1	SEAL-O-RING (OD 432.7)					

Y - SEPARATE ILLUSTRATION

1228644 TORQUE CONVERTER GP-HOUSING PART 2 OF 2

1268292-Page 207, 1249407-Page 364

Part of 1752284 Mtg Gp-Torque Converter

POWER TRAIN

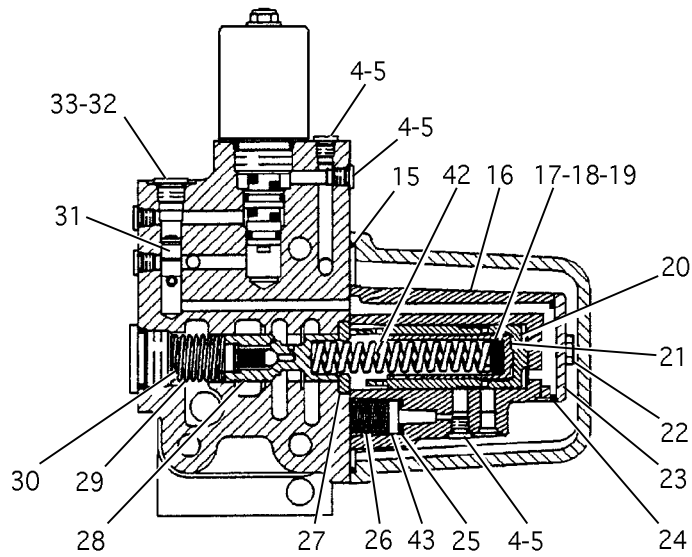
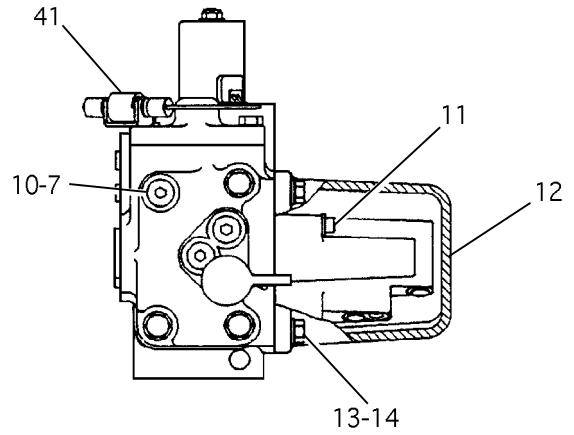
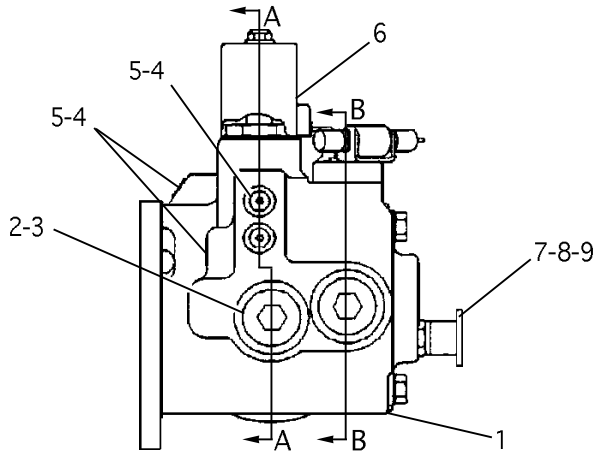
1	6I9234	CASE GP-TRANSMISSION	186
1	9U9491	CONT GP-TRANSMISSION HYD	188
1	1245269	PLANETARY GP	202

1228646 TRANSMISSION AR
Part of 1447165 Power Train Ar

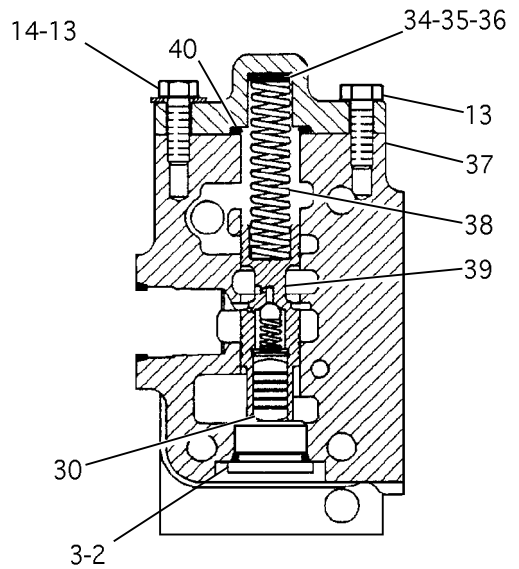
NOTES

A large, empty rectangular box with a black border, intended for handwritten notes.

POWER TRAIN



SECTION A-A



SECTION B-B

6I9514 VALVE GP-LOCK UP CLUTCH/SOL
Part of 1266628 Valve Gp & Mounting

POWER TRAIN

NOTE	REF NO	PART NUMBER	QTY	PART NAME	NOTE	REF NO	PART NUMBER	QTY	PART NAME
	1	6I9475	1	BODY AS-VALVE					
		5H8985	1	PIN-SPRING					
		8E8439	1	DOWEL					
	2	9S8008	2	PLUG-O-RING					
	3	3D2824	2	SEAL-O-RING (ORB-OD 29.5)					
	4	9S8001	7	PLUG-O-RING					
	5	4J7533	7	SEAL-O-RING (ORB-OD 9.3)					
Y	6	1446292	1	VALVE GP-SOLENOID					
	7	3J1907	4	SEAL-O-RING (ORB-OD 15.9)					
	8	6V3965	1	NIPPLE AS					
	9	6V0852	1	CAP-DUST					
	10	9S8004	3	PLUG-O-RING					
	11	5L9018	2	BOLT-SOCKET HEAD					
	12	6Y4539	1	COVER					
	13	0S1618	6	BOLT					
	14	9M1974	5	WASHER-HARD					
	15	2S2182	1	SEAL-O-RING (OD 108.3)					
	16	6Y4540	1	BODY					
B	17	9J1330	2	SHIM (0.79)					
B	18	2S0675	2	SPACER					
B	19	8J4452	2	SHIM (0.12)					
	20	6Y4541	1	PISTON-SELECTOR					
	21	6Y4542	1	PISTON-LOAD					
	22	2B2695	2	BOLT					
	23	6Y4538	1	COVER					
	24	8M4986	1	SEAL-O-RING (61 FLANGE-OD 44.8)					
	25	8M5127	1	SEAL-O-RING (61 FLANGE-OD 16)					
	26	9D7884	1	SPRING					
	27	8E4592	1	STOP					
	28	6Y8048	1	SPOOL AS					
		1S1636	1	RETAINER					
		1S1638	1	RING-RETAINING					
		4B9880	1	BALL					
		4M2381	1	SPRING					
	29	9P0683	1	SPRING					
	30	5M2504	2	SLUG					
	31	9W6964	1	VALVE AS-EXHAUST					
		3F3152	1	BALL					
		8N4173	1	DOWEL					
	32	9S8003	1	PLUG-O-RING					
	33	1J9671	1	SEAL-O-RING (ORB-OD 14.1)					
B	34	5J2721	2	SHIM (0.13)					
B	35	6J3993	2	SHIM (0.25)					
B	36	5J1036	2	SHIM (0.80)					
	37	6T3724	1	COVER					
	38	9W7410	1	SPRING					
	39	9P0656	1	SPOOL AS					
		1S1636	1	RETAINER					
		1S1638	1	RING-RETAINING					
		4B9880	1	BALL					
		4M2381	1	SPRING					
	40	8M4446	1	SEAL-O-RING (OD 30.5)					
	41	9G9150	1	CLIP					
	42	8E0758	1	SPRING					
	43	8P9738	1	ORIFICE-CASCADE					

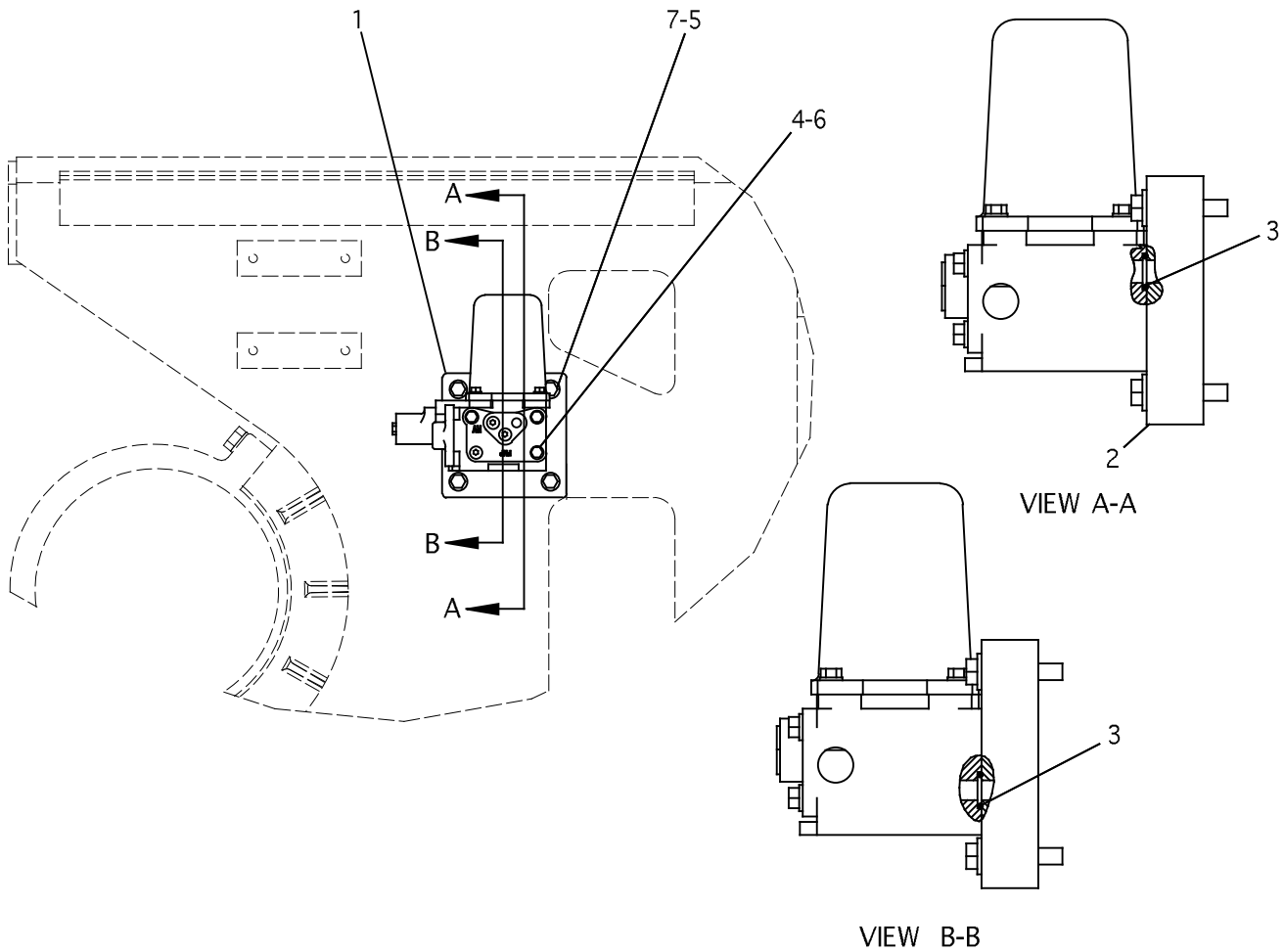
B - USE AS REQUIRED
 Y - SEPARATE ILLUSTRATION

6I9514 VALVE GP-LOCK UP CLUTCH/SOL

1446292-Page 299

Part of 1266628 Valve Gp & Mounting

POWER TRAIN



NOTE	REF NO	PART NUMBER	QTY	PART NAME	NOTE	REF NO	PART NUMBER	QTY	PART NAME
Y	1	6I9514	1	VALVE GP-LCL/SOL					
	2	1243627	1	MANIFOLD					
	3	5F7054	2	SEAL-O-RING (OD 25.7)					
	4	8C7323	3	BOLT-HEX (3/8)					
	5	8T4223	4	WASHER-HARD					
	6	8T4896	3	WASHER-HARD					
	7	8T4910	4	BOLT-HEX (M12)					
M									

M - METRIC PART
Y - SEPARATE ILLUSTRATION

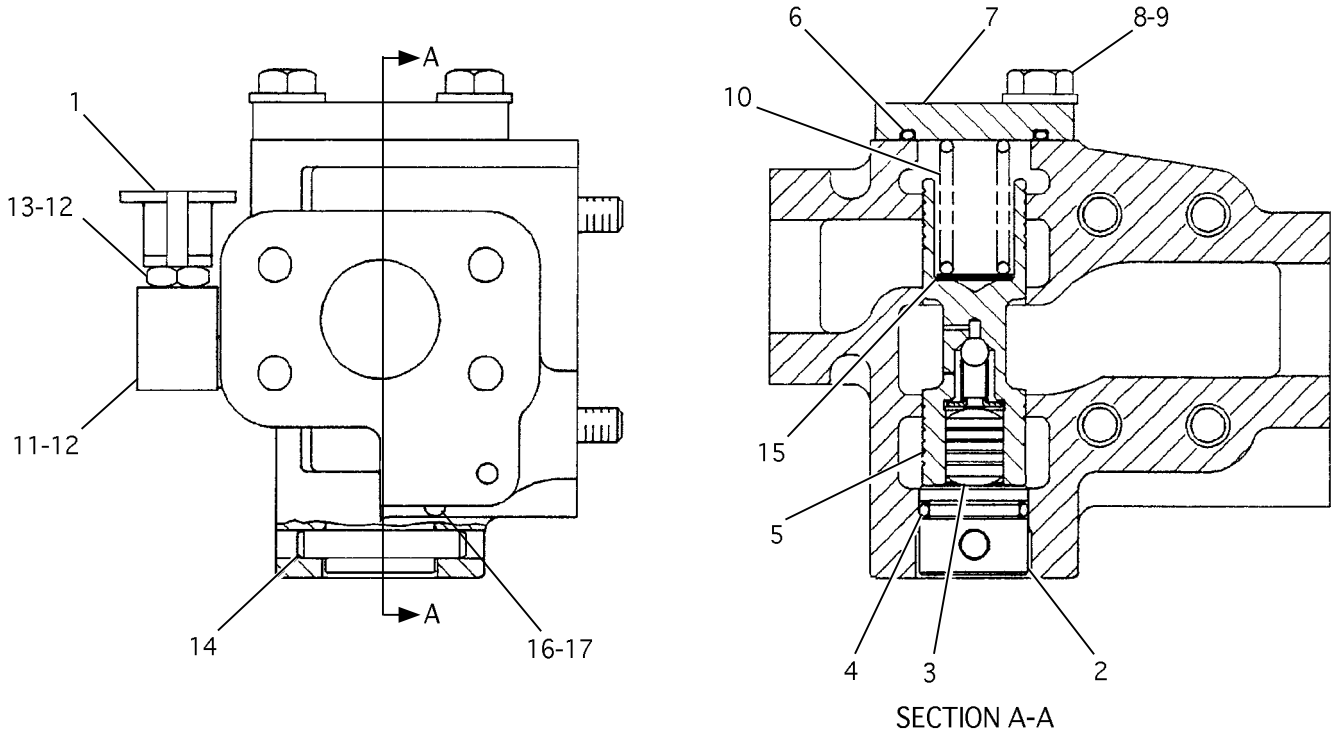
126628 VALVE GP & MOUNTING (CONV LOCK UP)

6I9514-Page 215

Part of 1448606 Lines Gp-Power Train Oil

01

POWER TRAIN



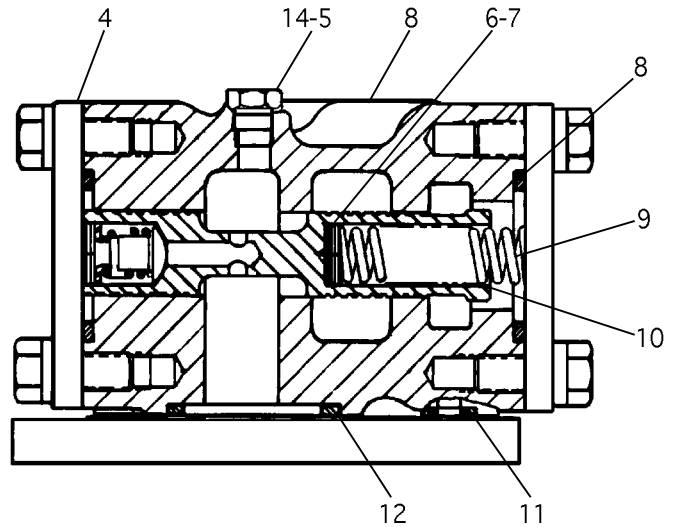
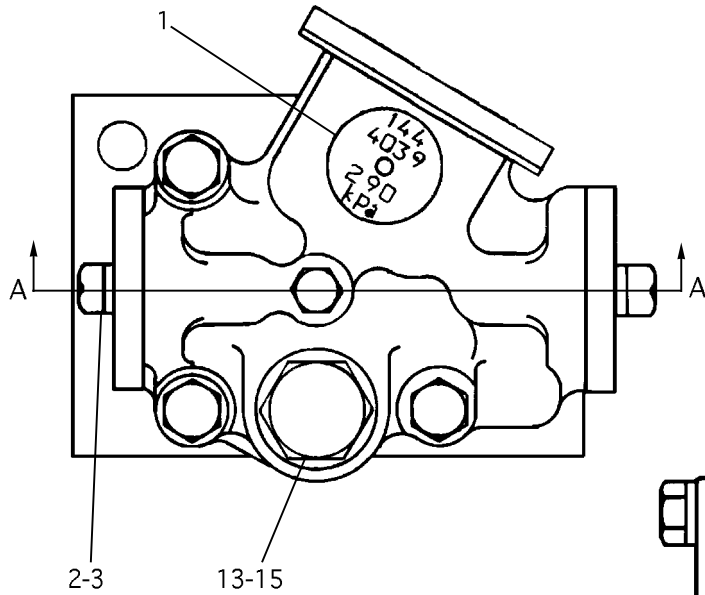
NOTE	REF NO	PART NUMBER	QTY	PART NAME	NOTE	REF NO	PART NUMBER	QTY	PART NAME
	1	6V0852	1	CAP-DUST					
	2	1P9699	1	STOP					
	3	2M7041	1	SLUG					
	4	8M4446	1	SEAL-O-RING (OD 30.5)					
	5	1183529	1	SPOOL-RELIEF					
	6	8M5249	1	SEAL-O-RING (61 FLANGE-OD 41.6)					
	7	2S9750	1	COVER					
	8	0S1594	2	BOLT (3/8)					
	9	5M2894	2	WASHER-HARD					
	10	3P4053	1	SPRING					
	11	6V0484	1	ADAPTER 90° (M,F-STOR)					
	12	3J1907	2	SEAL-O-RING (ORB-OD 15.9)					
	13	6V3965	1	NIPPLE AS					
	14	8H9513	1	DOWEL					
B	15	5M9624	6	SPACER					
	16	1379849	1	PLATE-IDENT					
	17	7B3028	1	SCREW-DRIVE					

B - USE AS REQUIRED

1183531 VALVE GP-TRANS PRIORITY

Part of 1266629 Valve Gp & Mounting

POWER TRAIN



SECTION A-A

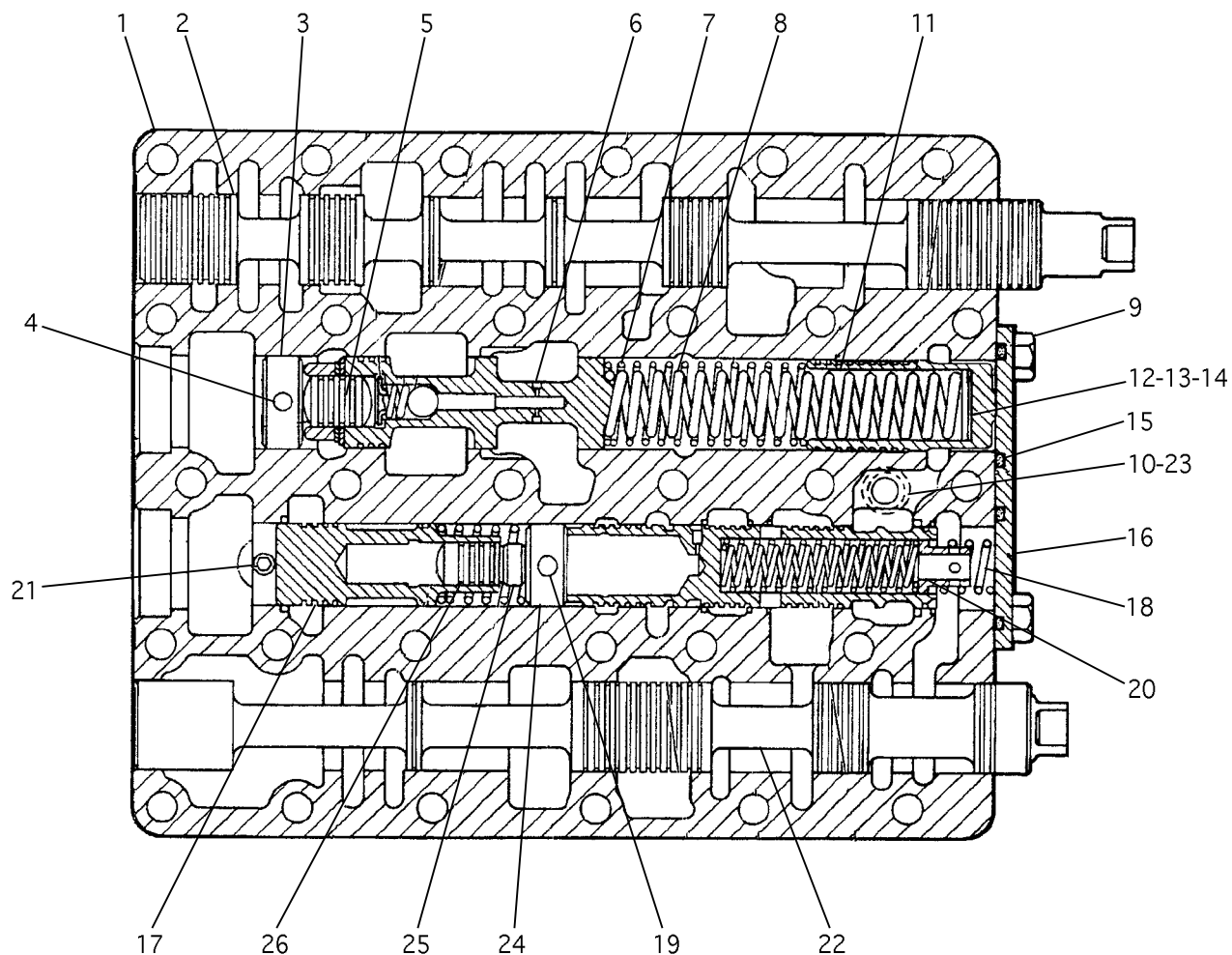
NOTE	REF NO	PART NUMBER	QTY	PART NAME	NOTE	REF NO	PART NUMBER	QTY	PART NAME
	1	7B3028	1	SCREW-DRIVE					
	2	0S1594	4	BOLT					
	3	5M2894	4	WASHER-HARD					
	4	4M8239	2	COVER					
	5	1N5999	1	PLUG-O-RING					
B	6	4M1751	1	SPACER (15.09 MM OD)					
B	7	5S7001	3	SPACER (14.15 MM OD)					
	8	8M4986	2	SEAL-O-RING (61 FLANGE-OD 44.8)					
	9	2S1382	1	SPRING					
	10	2S1384	1	SPOOL AS-RELIEF					
		2S1385	1	SPOOL-RELIEF					
		5M9548	1	SPRING					
		7M8592	1	RING-RETAINING					
		8M2538	1	POPPET					
		8M4409	1	RETAINER					
	11	6V4365	1	SEAL-O-RING (OD 14.4)					
	12	617540	1	SEAL-O-RING (61 FLANGE-OD 44.8)					
	13	9S4190	1	PLUG-O-RING					
	14	7J0204	1	SEAL-O-RING (ORB-OD 10.9)					
	15	2M9780	1	SEAL-O-RING (ORB-OD 24.2)					

B - USE AS REQUIRED

1444039 VALVE GP-RELIEF (TORQUE CONV)

Part of 1228644 Torque Converter Gp-Housing

POWER TRAIN



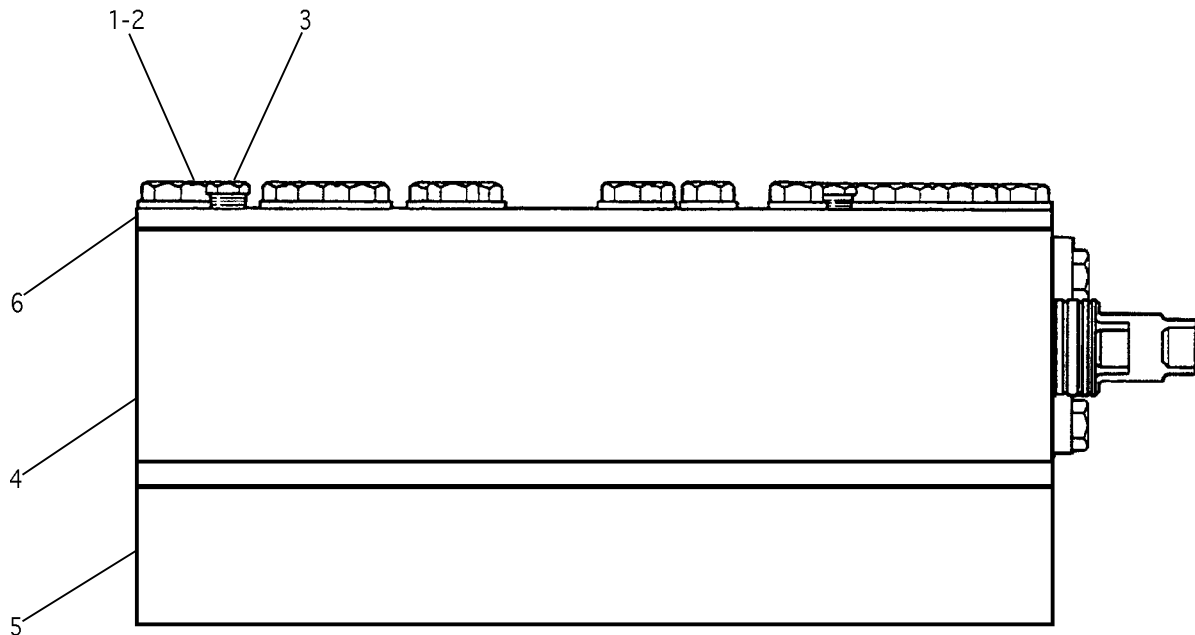
NOTE	REF NO	PART NUMBER	QTY	PART NAME	NOTE	REF NO	PART NUMBER	QTY	PART NAME
	1	1374923	1	BODY-PRESSURE SELECT		18	6P9785	1	SPRING
	2	9P2347	1	SPOOL		19	8H9189	1	DOWEL
	3	6P4940	1	STOP		20	6Y2280	1	SPOOL AS-DIFF
	4	2S0696	2	DOWEL			3P8485	1	RING-RETAINING
	5	9W5568	1	SLUG			6P9783	1	SPRING (11.02 MM LG)
	6	9W5567	1	SPOOL AS-RELIEF			6P9784	1	SPRING (16.26 MM LG)
		3D8317	1	RING-RETAINING			6P9786	1	RETAINER
		4B9880	1	BALL		21	8P6321	1	DOWEL
		4M2381	1	SPRING		22	9P2348	1	SPOOL
		8M1013	1	RETAINER		23	5H8853	1	SEAL-O-RING (ORFS-OD 13.8)
	7	7G4842	1	SPRING		24	2S4872	1	STOP
	8	9P3041	1	SPRING		25	5S7816	1	SLUG
	9	2B2695	3	BOLT (5/16)		26	6P4978	1	SPRING
	10	9W9831	1	ORIFICE-SCREEN					
	11	9G5301	1	PISTON-LOAD					
B	12	5M9622	1	SPACER (1.6 MM)					
B	13	5M9623	2	SPACER (0.9 MM)					
B	14	5M9624	4	SPACER (0.25 MM)					
	15	6F6673	2	SEAL-O-RING (OD 38.4)					
	16	6P4938	1	COVER					
	17	6P4943	1	SPOOL-RATIO					

B - USE AS REQUIRED

1374925 VALVE GP-SELECTOR (TRANS GEAR)

Part of 1374919 Valve Gp-Test

POWER TRAIN



NOTE	REF NO	PART NUMBER	QTY	PART NAME	NOTE	REF NO	PART NUMBER	QTY	PART NAME
Y	1	4B3903	26	BOLT (5/16)					
	2	9M1974	26	WASHER-HARD					
	3	5M6214	5	PLUG-PIPE					
	4	1374925	1	VALVE GP-SELECT					
	5	9G6966	1	MANIFOLD-BOTTOM					
	6	8P9785	1	PLATE					

Y - SEPARATE ILLUSTRATION

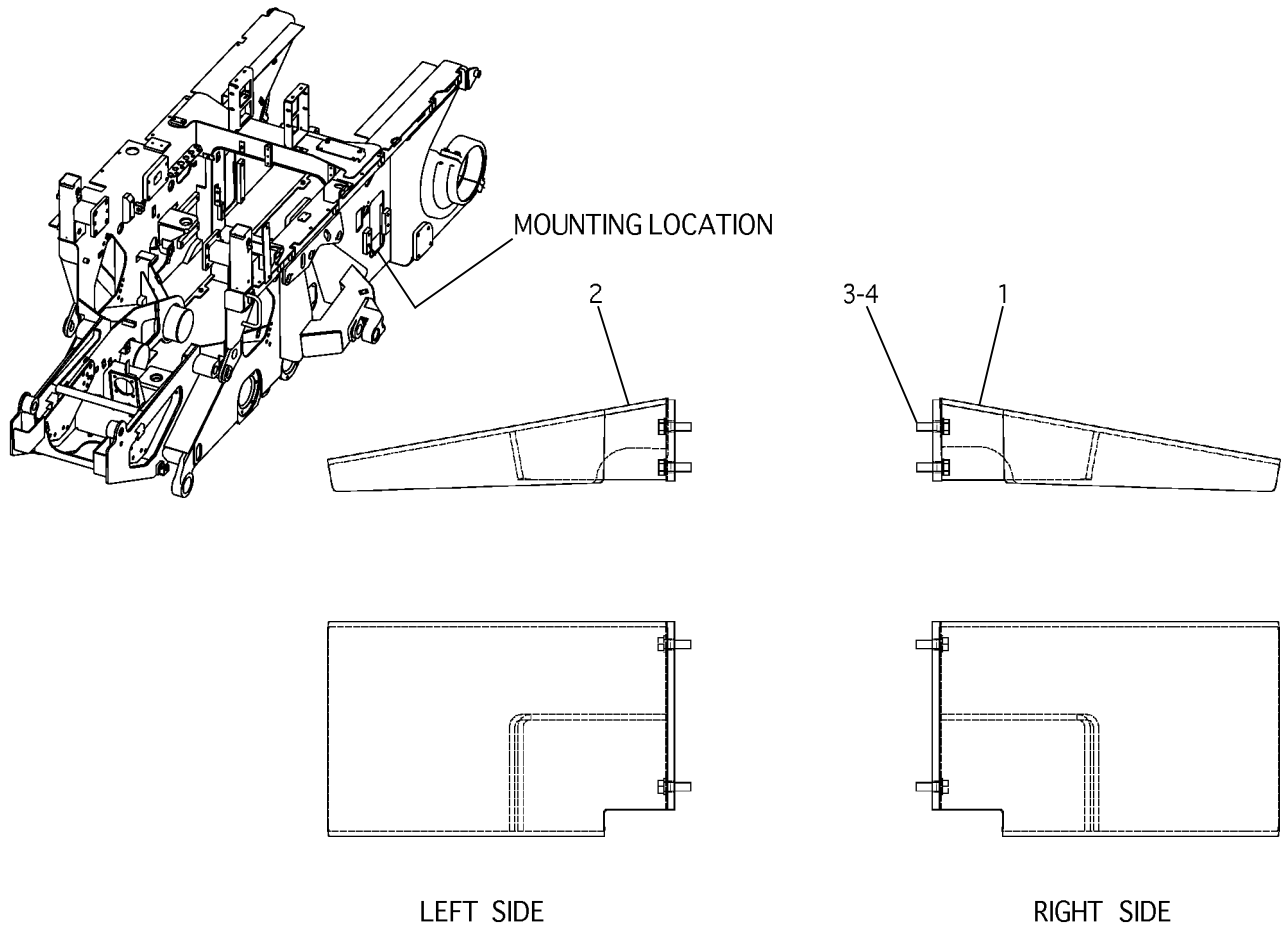
1374919 VALVE GP-TEST (TRANSMISSION)

1374925-Page 219

Part of 9U9491 Control Gp-Transmission Hyd

00

FRAME AND BODY



NOTE	REF NO	PART NUMBER	QTY	PART NAME	NOTE	REF NO	PART NUMBER	QTY	PART NAME
	1	1659875	1	PLATE AS (RIGHT SIDE)					
	2	1659876	1	PLATE AS (LEFT SIDE)					
	3	7X2553	8	BOLT-HEX HEAD					
	4	9X8257	8	WASHER					

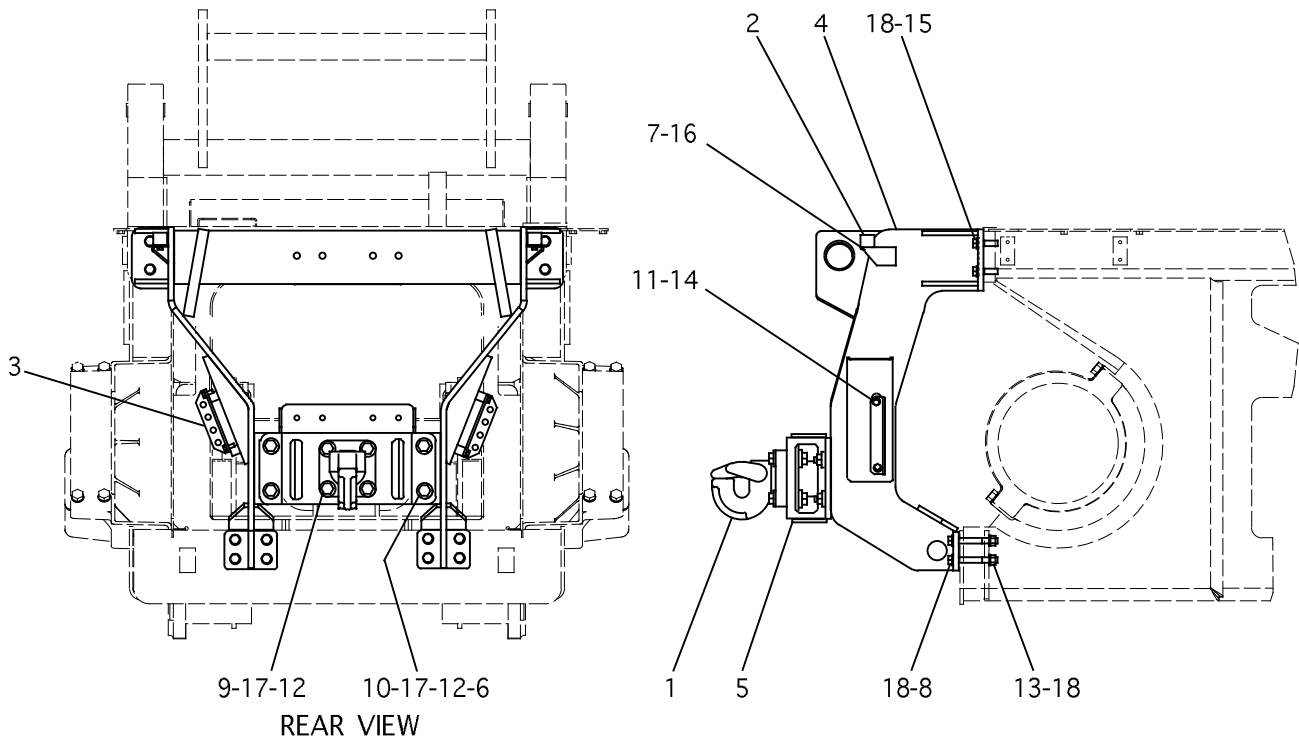
1659877 COVER GP-SUSPENSION
Part of 1447210 Undercarriage Ar

FRAME AND BODY

1	1450074	DRAWBAR GP	223
1	1447924	ENCLOSURE GP	224
1	1618626	FENDER GP-REAR	228
1	1247025	FRAME GP-TTT	230
1	1450073	GUARD GP-BOTTOM GUARDS	234
1	1247062	LINES GP-FUEL.....	108
1	1665127	LINES GP-FUEL.....	112
1	1448533	MTG GP-BRACKET (DECON).....	242
1	1228811	PAINT GP-TRANSFER	476
1	1437323	TANK GP-FUEL	126

1447164 CHASSIS AR
 Part of 1447162 General Ar

FRAME AND BODY



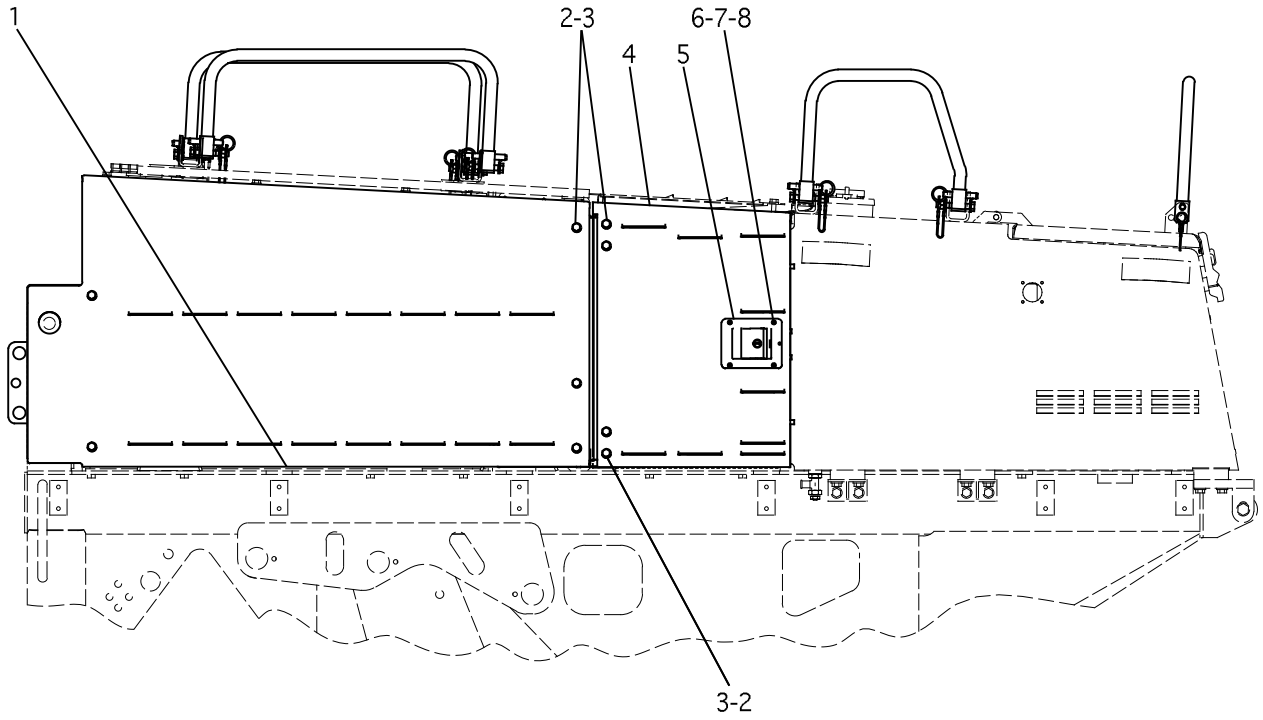
NOTE	REF NO	PART NUMBER	QTY	PART NAME	NOTE	REF NO	PART NUMBER	QTY	PART NAME
	1	4R9269	1	HOOK-PINTLE					
	2	8C4428	2	SOCKET-LATCH					
	3	1387035	2	PLATE					
	4	1459597	1	MOUNT AS					
	5	1709163	1	SUPPORT AS					
	6	1709164	2	PLATE					
	7	5K0906	2	BOLT-HEX (5/16)					
M	8	7X2475	8	BOLT-HEX HEAD (M16)					
M	9	7X2564	4	BOLT-HEX HEAD (M20)					
M	10	7X2568	8	BOLT-HEX HEAD (M20)					
	11	8T4121	4	WASHER					
M	12	8T4131	12	NUT-FULL (M20)					
M	13	8T4132	8	NUT-FULL (M16)					
M	14	8T4136	4	BOLT-HEX HEAD (M10)					
M	15	8T4140	4	BOLT-HEX HEAD (M16)					
	16	8T4224	2	WASHER					
	17	8T5439	24	WASHER					
	18	9X8257	20	WASHER					

M - METRIC PART

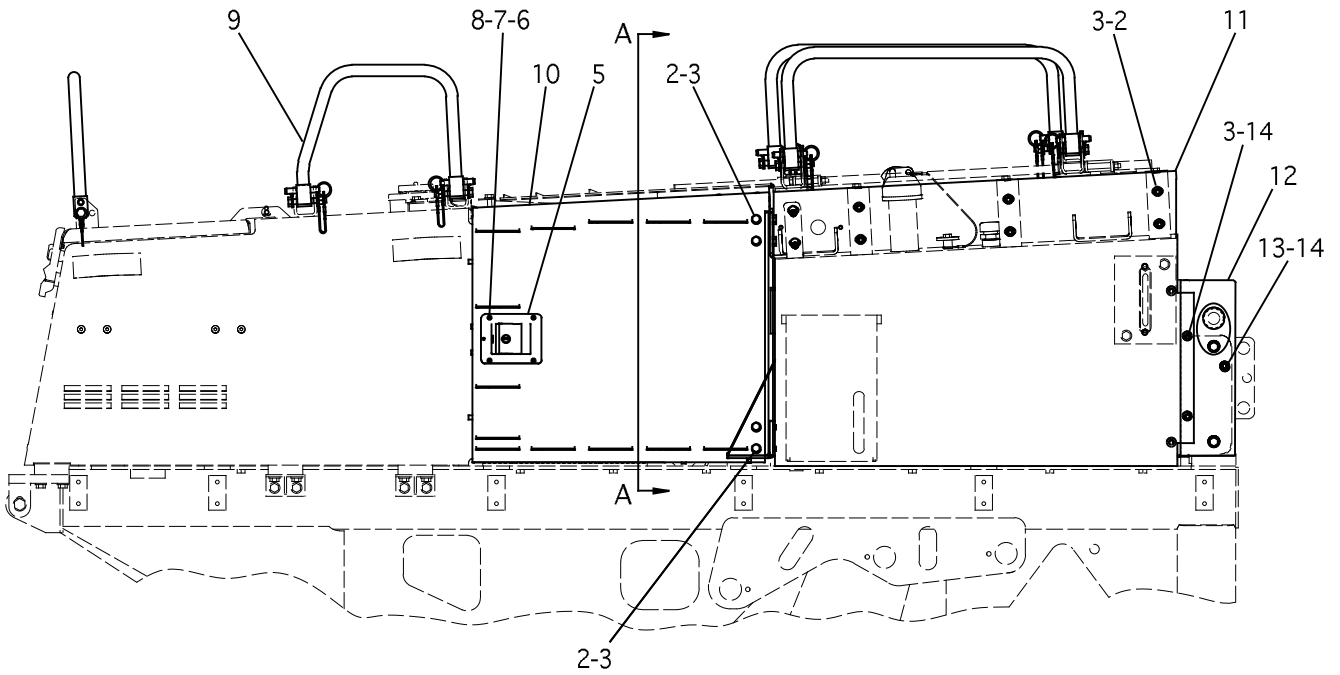
1450074 DRAWBAR GP

Part of 1447164 Chassis Ar

FRAME AND BODY



L.H. SIDE VIEW



R.H. SIDE VIEW

REFER TO ALL ILLUSTRATIONS OF THIS GROUP

1447924 ENCLOSURE GP PART 1 OF 2
Part of 1447164 Chassis Ar

FRAME AND BODY

NOTE	REF NO	PART NUMBER	QTY	PART NAME	NOTE	REF NO	PART NUMBER	QTY	PART NAME
	1	1448210	1	SHEET					
	2	8T4121	21	WASHER-HARD					
M	3	8T4136	23	BOLT (M10)					
	4	1448206	1	DOOR AS (LH)					
	5	6V6957	2	LATCH AS-HANDLE					
	6	4B4863	8	WASHER					
M	7	8T2659	8	NUT-SELF LOCKING (M4)					
M	8	9X1046	8	SCREW-TRUSS HEAD (M4)					
Y	9	1447870	1	HANDRAIL GP					
	10	1448207	1	DOOR AS (RH)					
	11	1448209	1	SHEET AS					
	11	6V9632	2	NUT-WELD					
	12	1255408	1	SHEET					
M	13	8T4185	1	BOLT (M10)					
	14	7X7729	3	WASHER					

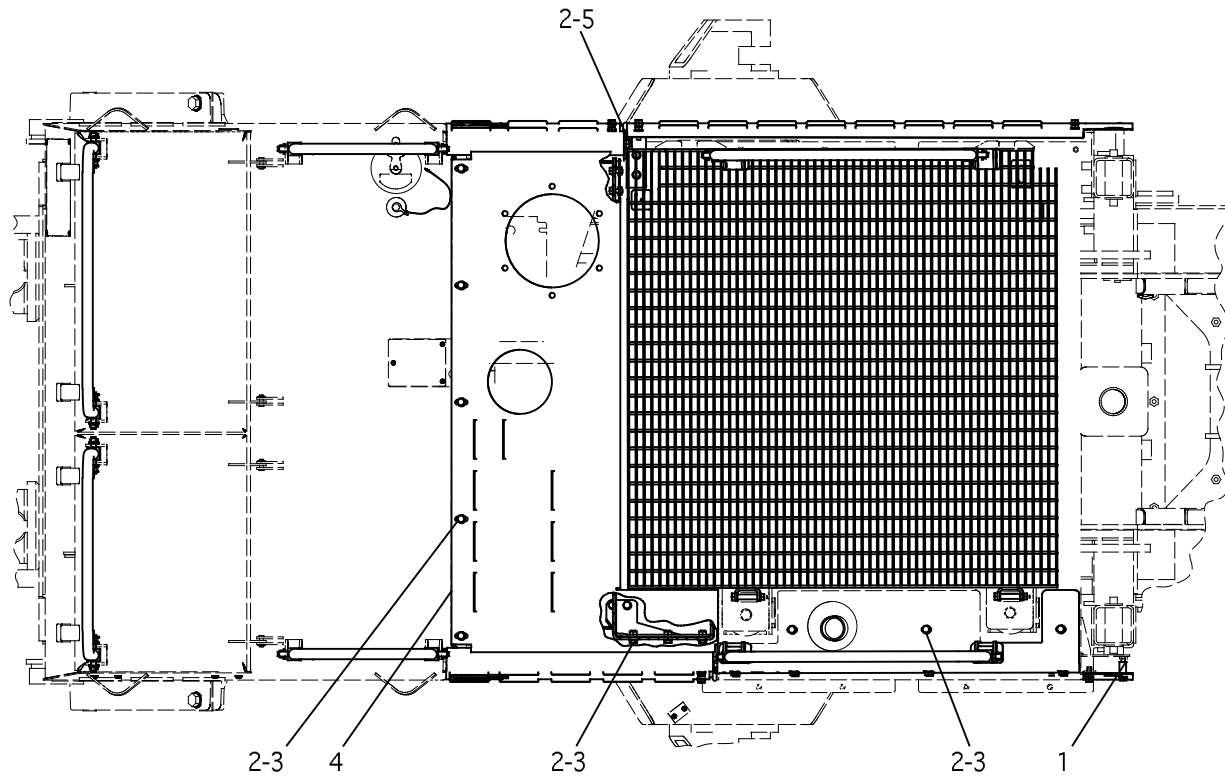
M - METRIC PART
 Y - SEPARATE ILLUSTRATION

1447924 ENCLOSURE GP PART 1 OF 2

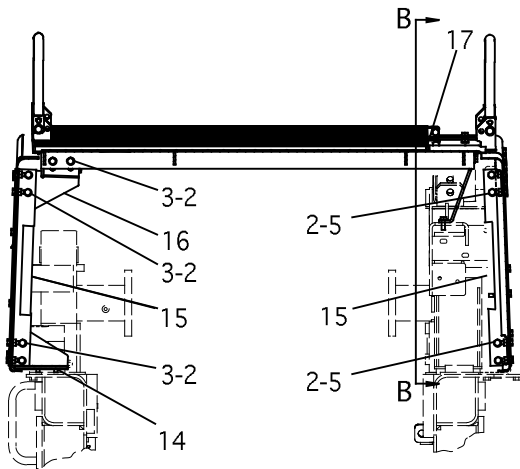
1447870-Page 235

Part of 1447164 Chassis Ar

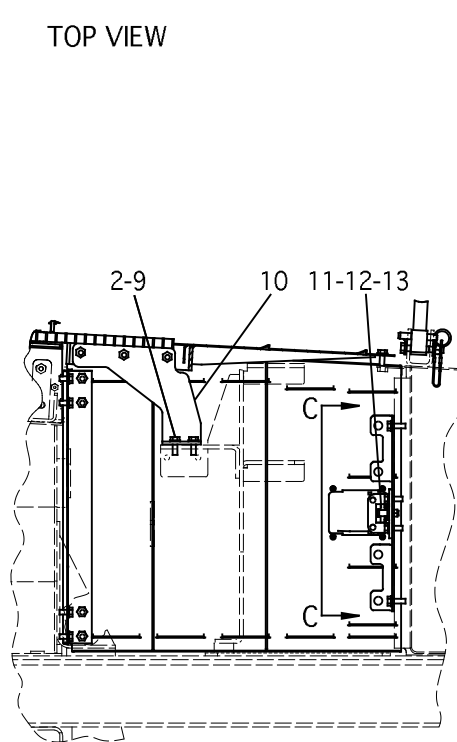
FRAME AND BODY



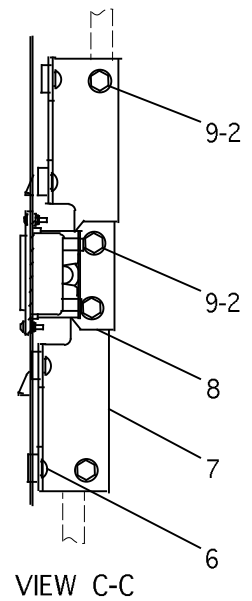
TOP VIEW



VIEW A-A



VIEW B-B



VIEW C-C

REFER TO ALL ILLUSTRATIONS OF THIS GROUP

1447924 ENCLOSURE GP PART 2 OF 2
Part of 1447164 Chassis Ar

FRAME AND BODY

NOTE	REF NO	PART NUMBER	QTY	PART NAME	NOTE	REF NO	PART NUMBER	QTY	PART NAME
	1	1V0782	1	BOSS					
	2	8T4121	29	WASHER-HARD					
M	3	8T4136	17	BOLT (M10)					
	4	1448208	1	SHEET AS					
M	5	8T4137	6	BOLT (M10)					
	6	9M5884	8	BUMPER					
	7	1448500	2	BRACKET					
	8	1448501	2	PLATE					
M	9	8T4195	10	BOLT (M10)					
	10	1243879	1	PLATE AS					
	10	8T3490	3	NUT-WELD					
	11	5V8309	2	STRIKER AS					
	12	6V8801	2	NUT					
	13	8T4896	2	WASHER-HARD					
	14	1521221	3	SHIM					
	15	1448499	2	HINGE					
	15	8T3490	4	NUT-WELD					
	16	1461830	1	BRACKET AS					
	16	8T3490	9	NUT-WELD					
Y	17	1460704	1	GRILL GP-RADIATOR HINGE					

M - METRIC PART
 Y - SEPARATE ILLUSTRATION

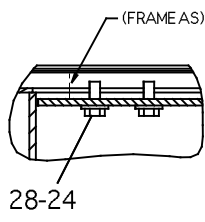
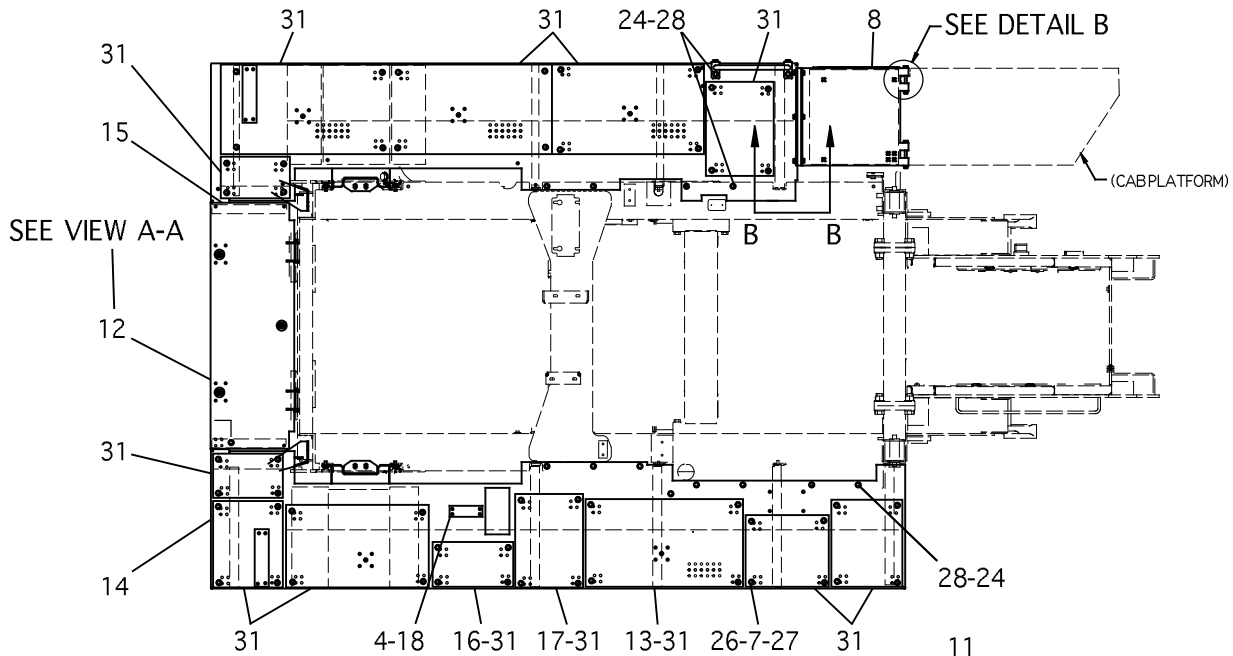
1447924 ENCLOSURE GP PART 2 OF 2

1460704-Page 233

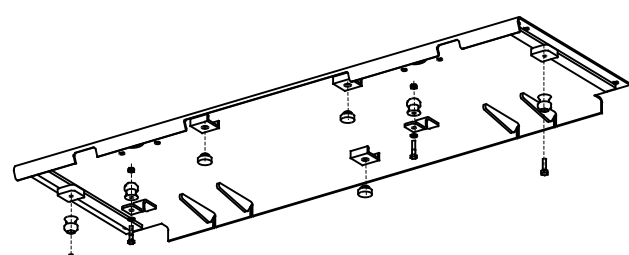
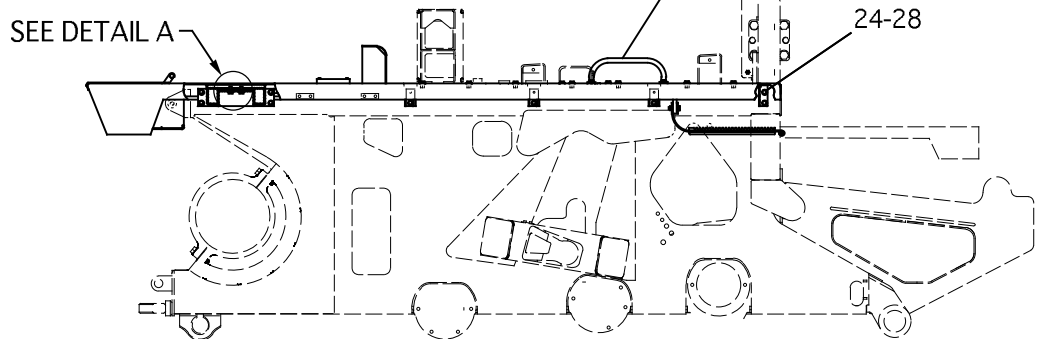
Part of 1447164 Chassis Ar

04

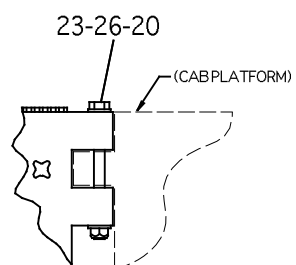
FRAME AND BODY



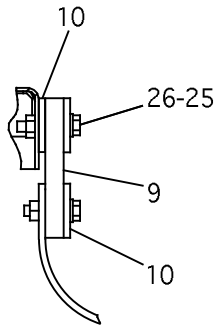
DETAIL A



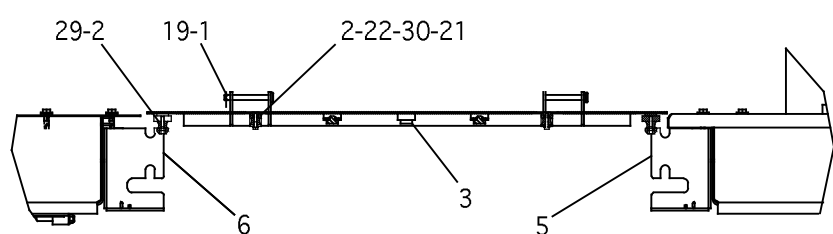
VIEW A-A



DETAIL B



VIEW B-B



REAR VIEW

1618626 FENDER GP-REAR
Part of 1447164 Chassis Ar

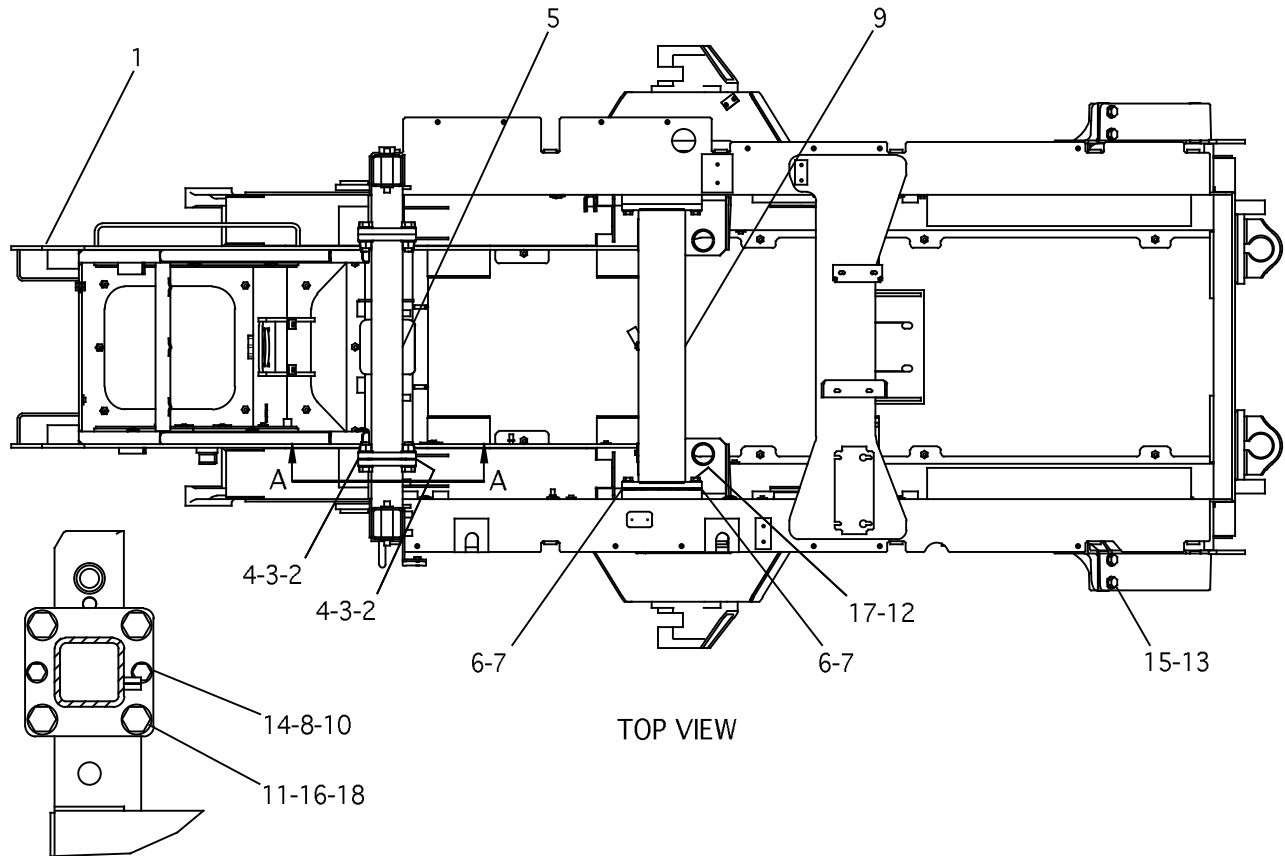
FRAME AND BODY

NOTE	REF NO	PART NUMBER	QTY	PART NAME	NOTE	REF NO	PART NUMBER	QTY	PART NAME
	1	3B4627	2	COTTER-PIN					
	2	8C4427	4	PLUNGER-LATCH					
	3	9M5884	3	BUMPER					
M	4	1128372	4	BOLT (M4)					
	5	1359946	1	COVER AS (RH)					
		5D9629	1	ROD					
	6	1359947	1	COVER AS (LH)					
		5D9629	1	ROD					
M	7	1419203	52	SCREW-BUTTON HD (M10)					
	8	1444025	1	PLATE AS					
M		8T3490	3	NUT-WELD (M10)					
	9	1444535	1	BELT					
B	10	1444536	3	PLATE					
	11	1445260	1	HANDLE AS					
	12	1471090	1	FENDER AS-REAR					
	13	1618618	5	PLATE					
	14	1618622	1	FENDER AS (RH)					
M		8T3490	2	NUT-WELD (M10)					
M		8T3597	2	NUT-WELD (M12)					
		1607531	1	BRACKET					
		1618616	4	GUSSET					
		1618617	1	BRACKET AS					
		1618619	1	FENDER-RH					
		1628678	1	BAR					
	15	1618624	1	FENDER AS (LH)					
M		8T3490	15	NUT-WELD (M10)					
M		8T3597	1	NUT-WELD (M12)					
		1607531	1	BRACKET					
		1618616	4	GUSSET					
		1618617	1	BRACKET AS					
		1618620	1	FENDER-LH					
		1628678	1	BAR					
	16	1622139	3	PLATE					
	17	1623211	5	PLATE					
	18	966166	4	WASHER-HARD					
	19	1V7403	2	GUIDE-SPRING					
M	20	6V7744	2	LOCKNUT (M10)					
	21	6V8185	2	NUT-FULL (1/4)					
	22	7X2501	2	BOLT (1/4)					
M	23	7X2543	2	BOLT (M10)					
	24	7X7729	40	WASHER					
M	25	8T0441	6	BOLT-LOCKING (M10)					
	26	8T4121	58	WASHER-HARD					
M	27	8T4133	46	NUT (M10)					
M	28	8T4136	40	BOLT (M10)					
	29	8T8908	2	BOLT (1/4)					
	30	9X8256	2	WASHER					
D	31	1659875	12	TAPE					

B - USE AS REQUIRED
 D - ORDER BY THE METER
 M - METRIC PART

1618626 FENDER GP-REAR
 Part of 1447164 Chassis Ar

FRAME AND BODY



TOP VIEW

VIEW A-A

NOTE	REF NO	PART NUMBER	QTY	PART NAME	NOTE	REF NO	PART NUMBER	QTY	PART NAME
	1	1248830	1	FRAME AS					
B	2	1427585	2	SHIM-3.2 MM (.125 IN)					
B	3	1427586	4	SHIM-1.6 MM (.06 IN)					
B	4	1427587	4	SHIM-0.8 MM (.03 IN)					
	5	1427591	1	SUPPORT AS					
		9R5271	2	BOSS					
B	6	1432033	6	SHIM-3.2 MM (.125 IN)					
B	7	1432037	4	SHIM-0.8 MM (.03 IN)					
	8	9X8257	8	WASHER					
	9	1435939	1	SUPPORT AS					
		7R7963	2	PLATE AS					
M	10	7X2555	4	BOLT (M16)					
M	11	8T4001	8	NUT-FULL (M24)					
	12	8T4122	8	WASHER-HARD					
	13	8T4123	8	WASHER-HARD					
M	14	8T4132	4	NUT-FULL (M16)					
M	15	8T4141	8	BOLT (M20)					
	16	8T4167	16	WASHER-HARD					
M	17	8T4193	8	BOLT HEX HEAD (M16)					
M	18	8T5878	8	BOLT HEX HEAD (M24)					

B - USE AS REQUIRED
M - METRIC PART

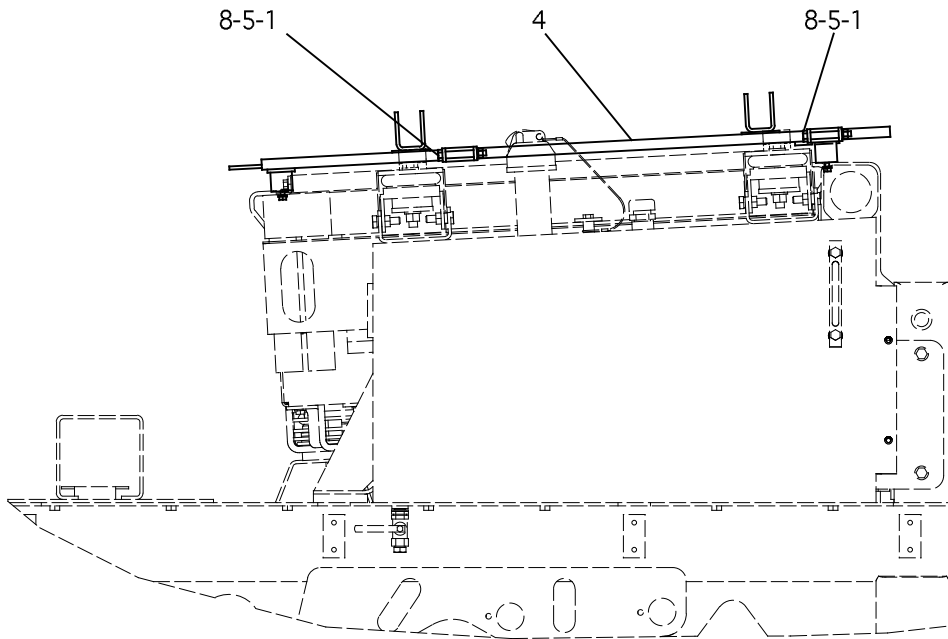
1247025 FRAME GP-TRACK TYPE TRACTOR

Part of 1447164 Chassis Ar

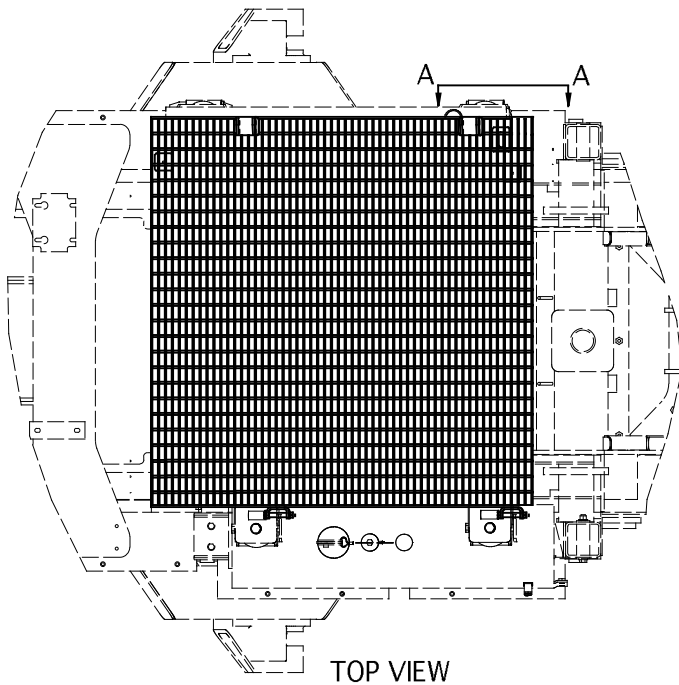
NOTES

A large, empty rectangular box with a black border, intended for handwritten notes.

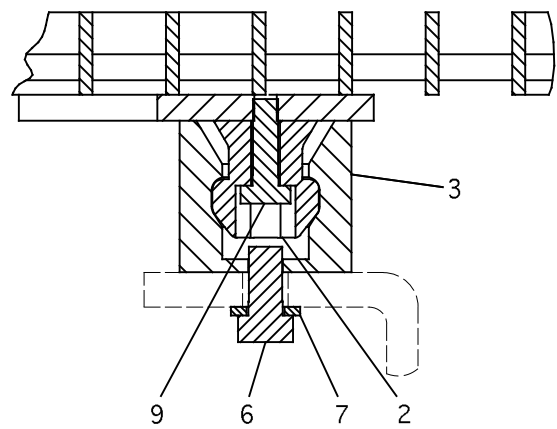
FRAME AND BODY



R.H. SIDE VIEW



TOP VIEW



SECTION A-A

1460704 GRILL GP-RADIATOR HINGE
Part of 1447924 Enclosure Gp

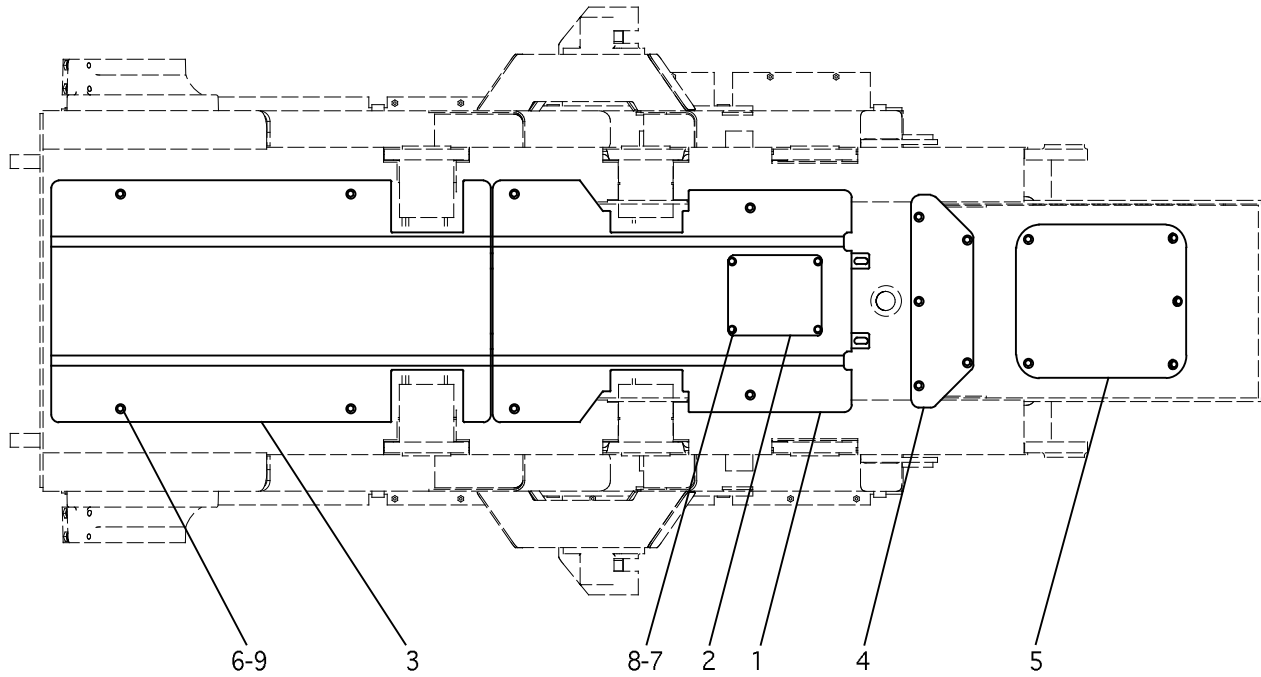
FRAME AND BODY

NOTE	REF NO	PART NUMBER	QTY	PART NAME	NOTE	REF NO	PART NUMBER	QTY	PART NAME
	1	3G2849	2	BOLT-RETAINER (3/8)					
	2	8C4427	2	PLUNGER-LATCH					
	3	8C4428	2	SOCKET-LATCH					
	4	1460702	1	GRILL AS					
	5	3K6060	2	LOCKNUT (3/8)					
	6	5K0906	2	BOLT (5/16)					
	7	8T4224	2	WASHER-HARD (5/16)					
	8	8T4896	2	WASHER-HARD (3/8)					
	9	8T8908	2	BOLT (1/4)					

1460704 GRILL GP-RADIATOR HINGE

Part of 1447924 Enclosure Gp

FRAME AND BODY



BOTTOM VIEW

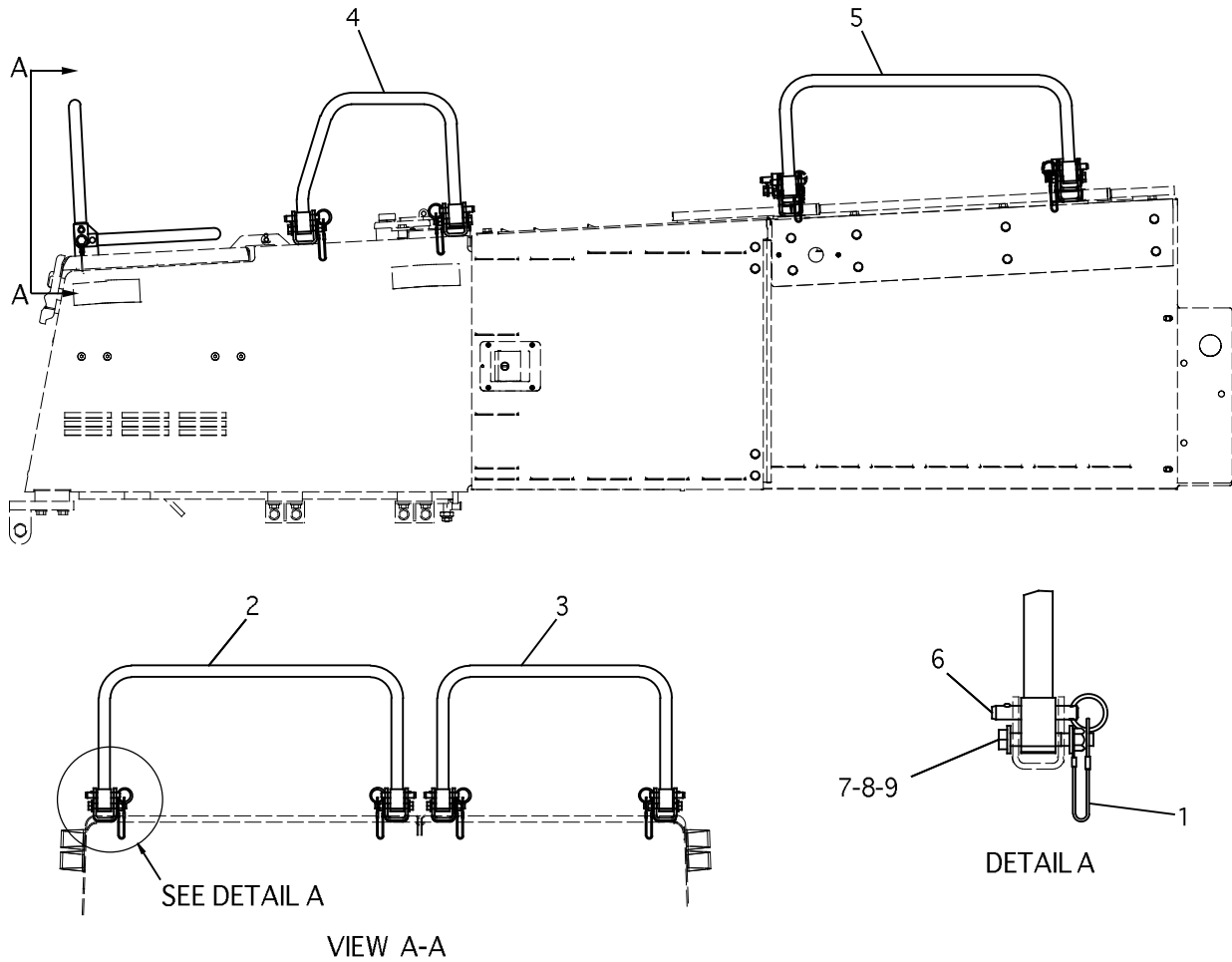
NOTE	REF NO	PART NUMBER	QTY	PART NAME	NOTE	REF NO	PART NUMBER	QTY	PART NAME
	1	1471097	1	PLATE AS-CENTER					
		8T3597	4	NUT-WELD					
	2	1471100	1	PLATE					
	3	1471110	1	PLATE AS					
	4	1471479	1	PLATE					
	5	1471480	1	PLATE AS					
	6	7X0590	18	WASHER-HARD					
M	7	8T4192	4	BOLT (M12)					
	8	8T4223	4	WASHER-HARD					
M	9	8T4956	18	BOLT (M12)					

M - METRIC PART

1450073 GUARD GP-BOTTOM GUARDS

Part of 1447164 Chassis Ar

FRAME AND BODY



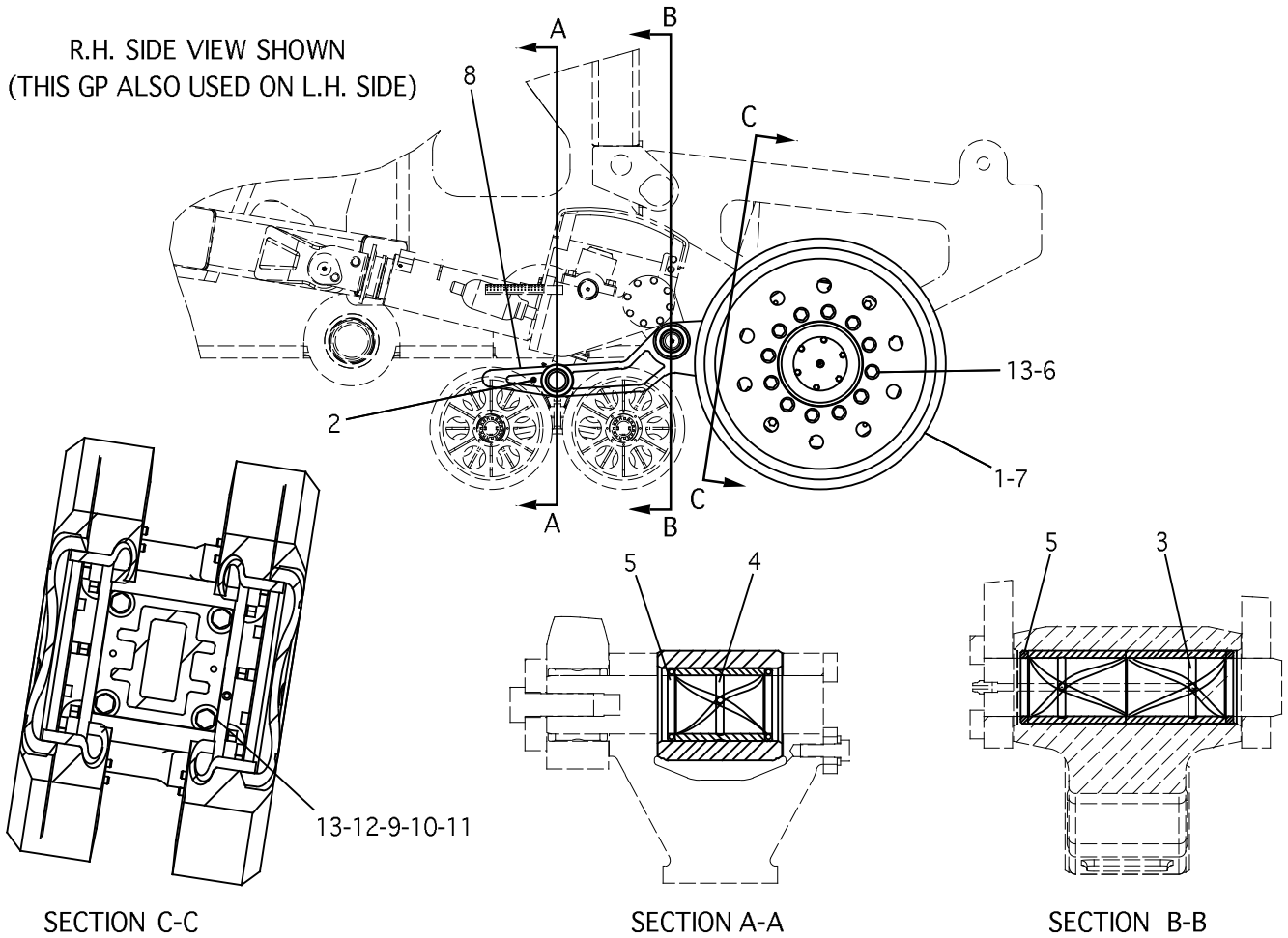
NOTE	REF NO	PART NUMBER	QTY	PART NAME	NOTE	REF NO	PART NUMBER	QTY	PART NAME
	1	1355049	12	CABLE AS					
		5P7958	1	SLEEVE-CABLE SPLICE					
	2	1448476	1	RAIL AS-GRAB					
	3	1448477	1	RAIL AS-GRAB					
	4	1448478	2	RAIL AS-GRAB					
	5	1448479	2	RAIL AS-GRAB					
	6	1454489	12	PIN					
M	7	6V7687	12	LOCKNUT (M12)					
	8	8T4223	24	WASHER-HARD					
M	9	8T6868	12	BOLT (M12)					

M - METRIC PART

1447870 HANDRAIL GP
Part of 1447924 Enclosure Gp

FRAME AND BODY

R.H. SIDE VIEW SHOWN
(THIS GP ALSO USED ON L.H. SIDE)



SECTION C-C

SECTION A-A

SECTION B-B

NOTE	REF NO	PART NUMBER	QTY	PART NAME	NOTE	REF NO	PART NUMBER	QTY	PART NAME
	1	1R1189	2	WHEEL AS-IDLER					
	2	3B8485	2	FITTING 45° (GREASE)					
	3	1674229	2	BEARING-SLEEVE					
	4	1674228	1	BEARING-SLEEVE					
	5	9D6583	4	SEAL-LIP TYPE					
	6	0340707	24	WASHER-HDN STEEL					
Y	7	1419989	1	BRAKE GP					
	8	1640715	1	BOGIE-MAJOR					
B	9	1309169	6	SHIM-0.25 MM (.0035 IN)					
B	10	1312807	6	SHIM-0.10 MM (.0014 IN)					
B	11	1312808	6	SHIM-0.05 MM (.0007 IN)					
	12	8T4123	4	WASHER-HARD					
M	13	8T6430	28	BOLT (M20)					

B - USE AS REQUIRED
M - METRIC PART
Y - SEPARATE ILLUSTRATION

1430837 IDLER GP-FRONT

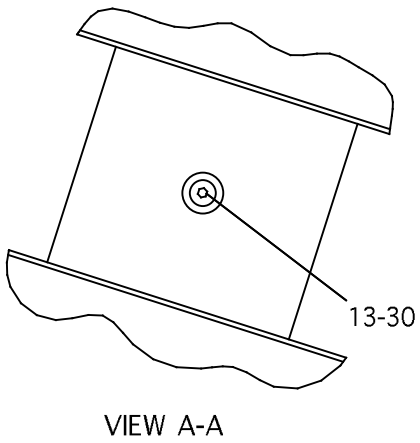
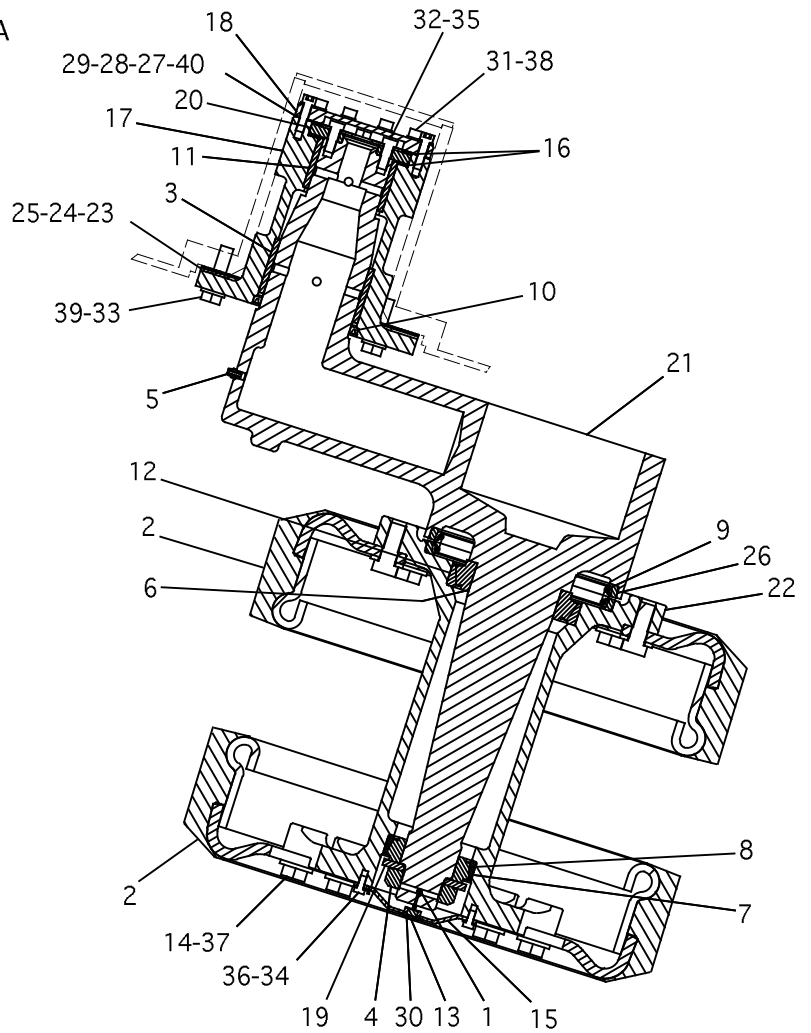
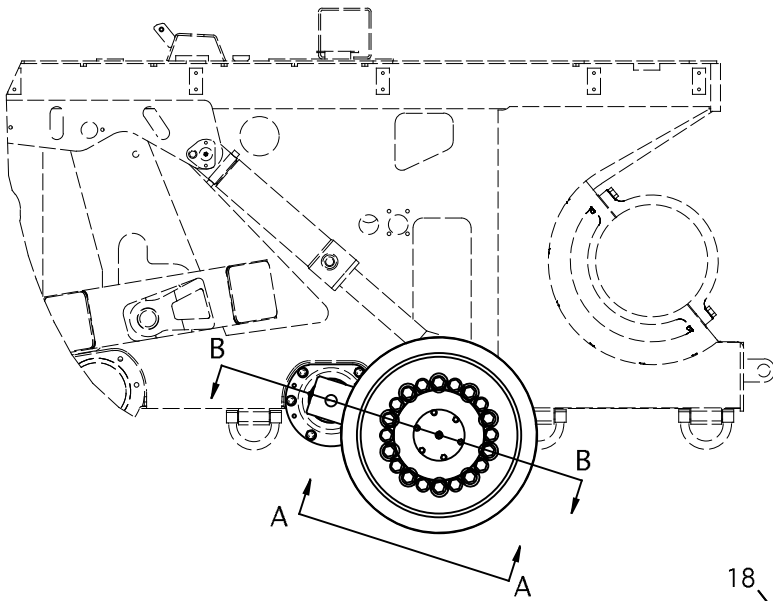
1419989-Page 265

Part of 1447210 Undercarriage Ar

NOTES

A large, empty rectangular box with a black border, intended for handwritten notes.

FRAME AND BODY



1420065 IDLER GP-TRACK LH SIDE
Part of 1447210 Undercarriage Ar

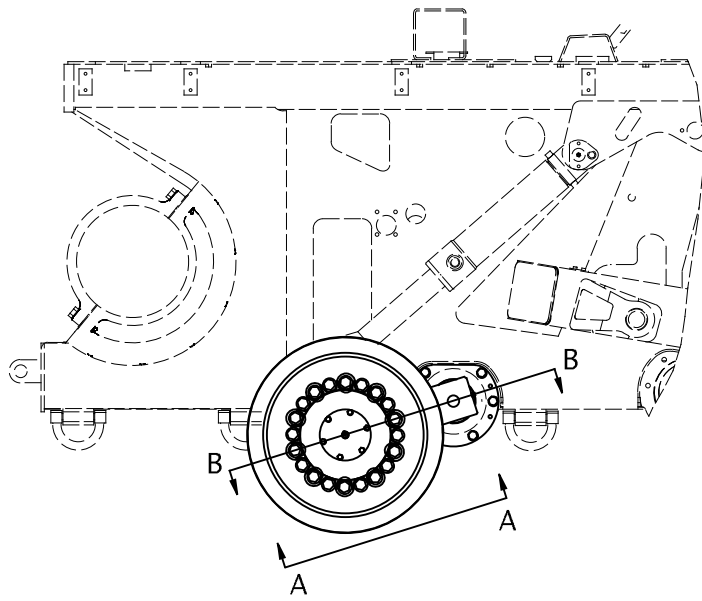
FRAME AND BODY

NOTE	REF NO	PART NUMBER	QTY	PART NAME	NOTE	REF NO	PART NUMBER	QTY	PART NAME
E	1	0773286	50	WIRE					
	2	1R1196	2	WHEEL AS-IDLER					
	3	1U3015	1	BEARING-SLEEVE					
	4	2B0286	1	NUT (2-12)					
	5	3B8489	1	FITTING (GREASE)					
	6	3F1396	1	CONE-ROLLER BRG					
	7	3L9409	1	CUP-ROLLER BRG					
	8	3L9410	1	CONE-ROLLER BRG					
	9	1776717	1	SEAL GP-DUO CONE					
	10	5P0069	1	SEAL-LIP TYPE					
	11	7J2604	1	BEARING-SLEEVE					
	12	8B6343	1	CUP-ROLLER BEARING					
	13	9S8003	2	PLUG-O-RING (1/2)					
	14	0340707	20	WASHER-HDN STEEL					
	15	1082576	1	COVER AS					
	16	1228650	2	WASHER-THRUST					
	17	1247228	1	SOCKET					
	18	1247229	1	PLATE-RETAINER					
	19	1283120	1	PLATE-THRUST					
	20	1283121	1	PLATE-THRUST					
	21	1418133	1	SWING-ARM-RR LH					
	22	1418135	1	HUB					
	23	1437045	2	SHIM-3.0 MM (.12 IN)					
	24	1437046	4	SHIM-1.6 MM (.06 IN)					
	25	1437047	2	SHIM-0.8 MM (.03 IN)					
	26	1437620	2	RETAINER					
	27	1437932	3	SHIM-0.06 MM (.0024 IN)					
	28	1437933	3	SHIM-0.10 MM (.004 IN)					
	29	1437934	3	SHIM-0.25 MM (.010 IN)					
	30	1J9671	2	SEAL-O-RING (ORB-OD 14.1)					
M	31	8T0271	10	BOLT-SOCKET HEAD (M10)					
M	32	8T4139	4	BOLT (M12)					
M	33	8T4140	6	BOLT (M12)					
M	34	8T4200	6	BOLT (M16)					
	35	8T4223	4	WASHER-HARD					
	36	8T4224	6	WASHER-HARD					
M	37	8T6430	20	BOLT (M20)					
	38	9X2027	10	WASHER					
	39	9X8257	6	WASHER					
	40	1649878	4	SHIM-.08 MM (.0032 IN)					

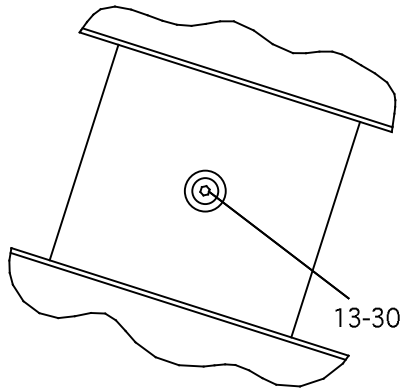
E - ORDER BY THE CENTIMETER
M - METRIC PART

1420065 IDLER GP-TRACK LH SIDE
Part of 1447210 Undercarriage Ar

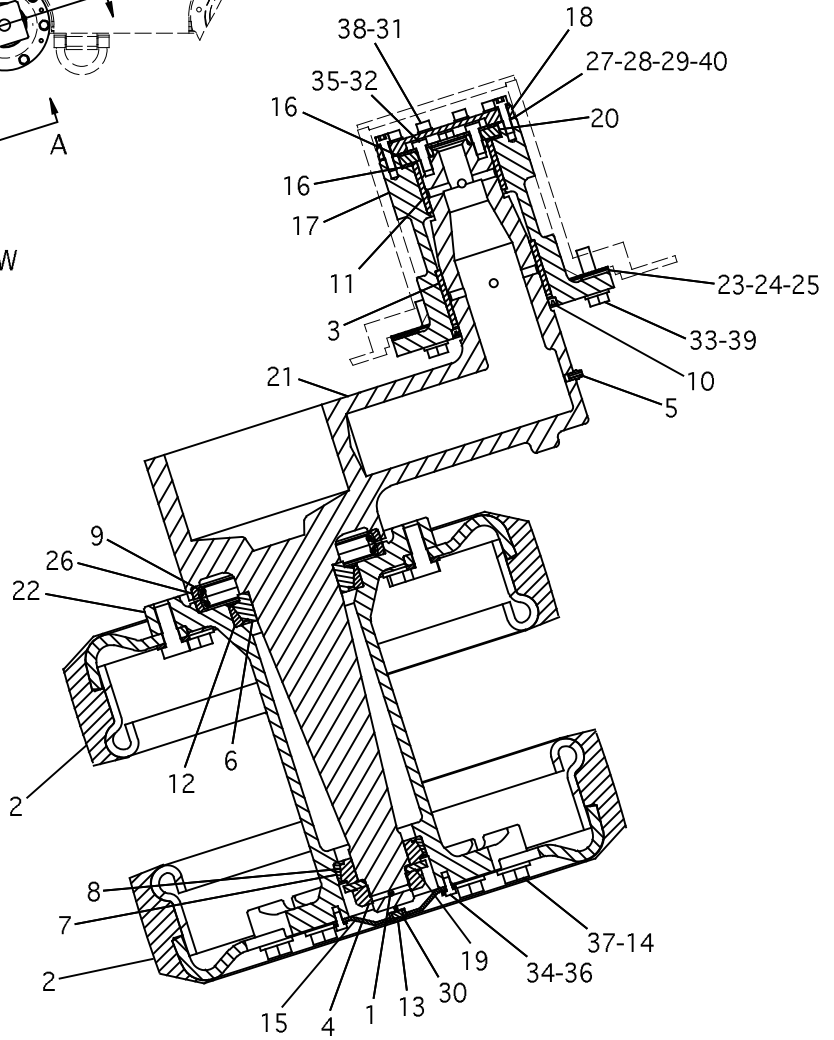
FRAME AND BODY



R.H. SIDE VIEW



VIEW A-A



SECTION B-B

1420066 IDLER GP-TRACK RH SIDE
Part of 1447210 Undercarriage Ar

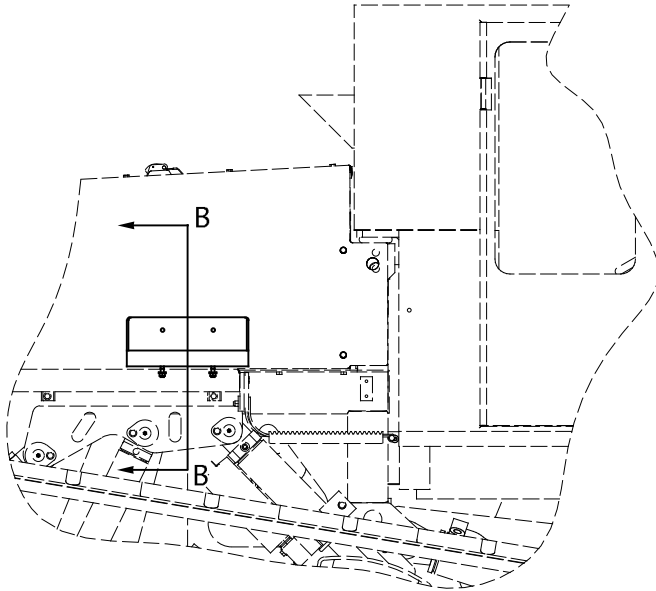
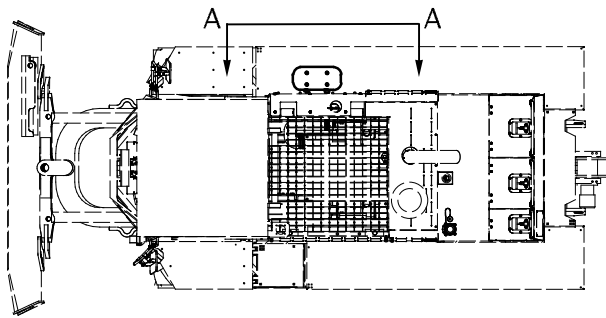
FRAME AND BODY

NOTE	REF NO	PART NUMBER	QTY	PART NAME	NOTE	REF NO	PART NUMBER	QTY	PART NAME
E	1	0773286	50	WIRE					
	2	1R1196	2	WHEEL AS-IDLER					
	3	1U3015	1	BEARING-SLEEVE					
	4	2B0286	1	NUT (2-12)					
	5	3B8489	1	FITTING (GREASE)					
	6	3F1396	1	CONE-ROLLER BRG					
	7	3L9409	1	CUP-ROLLER BRG					
	8	3L9410	1	CONE-ROLLER BRG					
	9	1776717	1	SEAL GP-DUO CONE					
	10	5P0069	1	SEAL-LIP TYPE					
	11	7J2604	1	BEARING-SLEEVE					
	12	8B6343	1	CUP-ROLLER BEARING					
	13	9S8003	2	PLUG-O-RING (1/2)					
	14	0340707	20	WASHER-HDN STEEL					
	15	1082576	1	COVER AS					
	16	1228650	2	WASHER-THRUST					
	17	1247228	1	SOCKET					
	18	1247229	1	PLATE-RETAINER					
	19	1283120	1	PLATE-THRUST					
	20	1283121	1	PLATE-THRUST					
	21	1418134	1	SWING-ARM-RR RH					
	22	1418135	1	HUB					
	23	1437045	2	SHIM-3.0 MM (.12 IN)					
	24	1437046	4	SHIM-1.6 MM (.06 IN)					
	25	1437047	2	SHIM-0.8 MM (.03 IN)					
	26	1437620	2	RETAINER					
	27	1437932	3	SHIM-0.06 MM (.0024 IN)					
	28	1437933	3	SHIM-0.10 MM (.004 IN)					
	29	1437934	3	SHIM-0.25 MM (.010 IN)					
	30	1J9671	2	SEAL-O-RING (ORB-OD 14.1)					
M	31	8T0271	10	BOLT-SOCKET HEAD (M10)					
M	32	8T4139	4	BOLT (M12)					
M	33	8T4140	6	BOLT (M12)					
M	34	8T4200	6	BOLT (M16)					
	35	8T4223	4	WASHER-HARD					
	36	8T4224	6	WASHER-HARD					
M	37	8T6430	20	BOLT (M20)					
	38	9X2027	10	WASHER					
	39	9X8257	6	WASHER					
	40	1649878	4	SHIM-.08 MM (.0032 IN)					

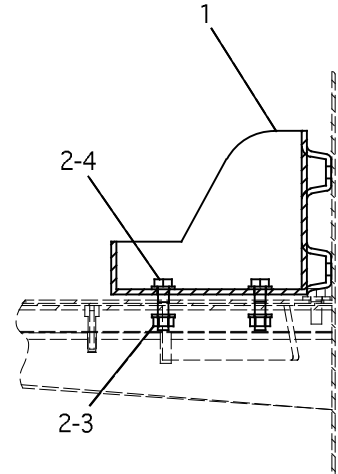
E - ORDER BY THE CENTIMETER
M - METRIC PART

1420066 IDLER GP-TRACK RH SIDE
Part of 1447210 Undercarriage Ar

FRAME AND BODY



VIEW A-A



VIEW B-B

NOTE	REF NO	PART NUMBER	QTY	PART NAME	NOTE	REF NO	PART NUMBER	QTY	PART NAME
	1	5R6242	1	BRACKET AS					
	2	8T4121	8	WASHER-HARD					
M	3	8T4133	4	NUT (M10)					
M	4	8T4195	4	BOLT (M10)					

M - METRIC PART

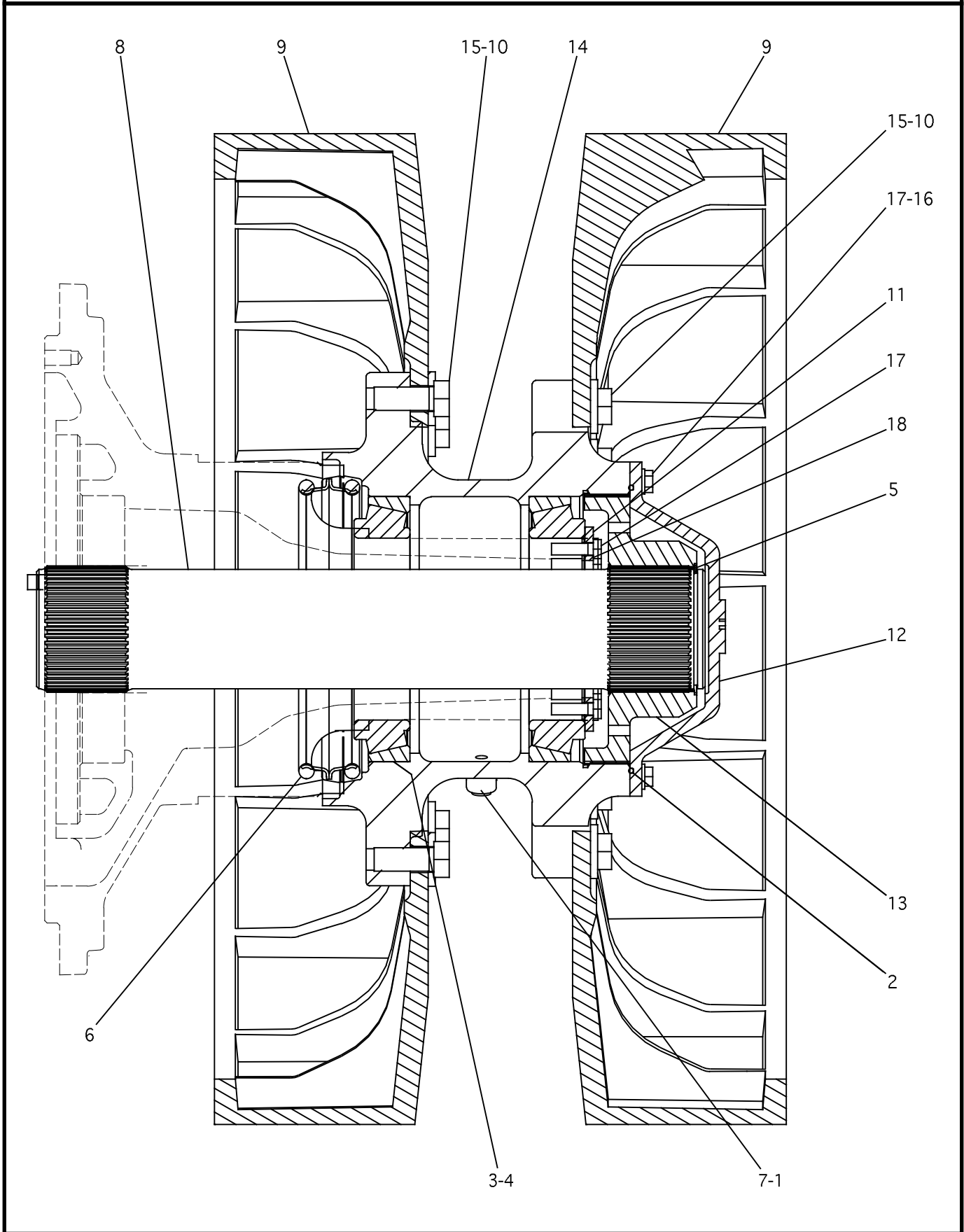
1448533 MOUNTING GP-BRACKET (DECON TANK)

Part of 1447164 Chassis Ar

NOTES

A large, empty rectangular box with a black border, intended for handwritten notes.

FRAME AND BODY



1250110 MOUNTING GP-WHEEL
 Part of 1447165 Power Train Ar

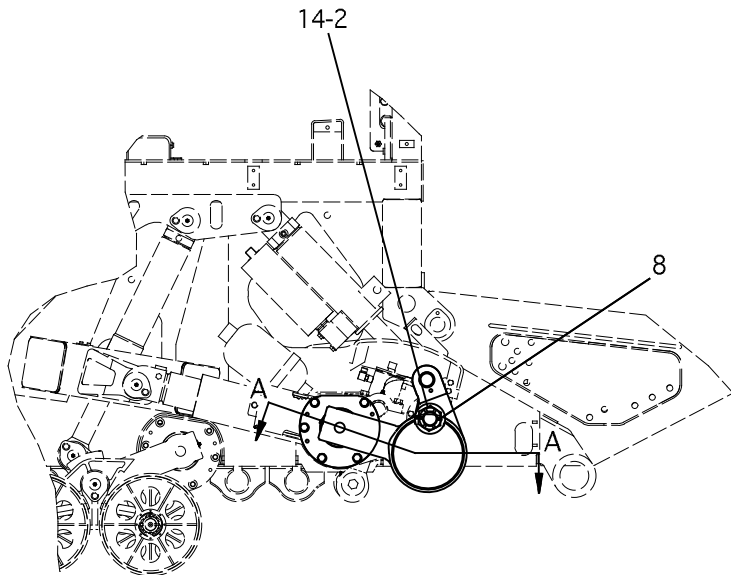
FRAME AND BODY

NOTE	REF NO	PART NUMBER	QTY	PART NAME	NOTE	REF NO	PART NUMBER	QTY	PART NAME
	1	1J9671	2	SEAL-O-RING (ORB-OD 14.1)					
	2	1T0132	1	SEAL-O-RING (OD 241.6)					
	3	2N2188	2	CUP-ROLLER BRG					
	4	2N2189	2	CONE-ROLLER BRG					
	5	6V2478	1	RING-RETAINING					
	6	9G5343	1	SEAL GP-DUO-CONE					
		1M9011	2	RING					
	7	9S8003	2	PLUG-O-RING					
	8	1243630	1	SHAFT					
	9	1660543	2	WHEEL-DRIVE					
	10	8T5439	24	WASHER-HDN STEEL					
	11	1250991	1	RING					
	12	1453891	1	COVER					
	13	1453893	1	COUPLING					
	14	1487075	1	HUB					
M	15	1640883	24	BOLT (M20)					
	16	8T4121	12	WASHER-HARD					
M	17	8T4196	22	BOLT (M10)					
	18	1250990	1	SHIM PACK					
B			9	SHIM .080 MM (0.32 IN)					
B			9	SHIM .250 MM (0.10 IN)					

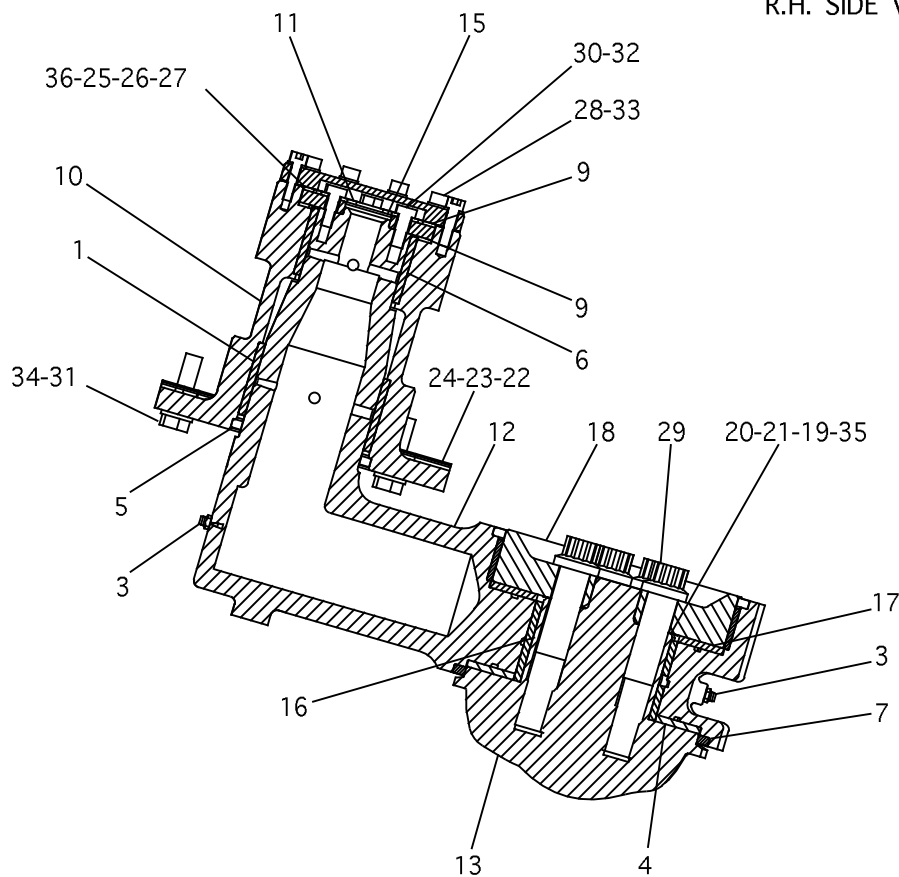
B - USE AS REQUIRED
M - METRIC PART

1250110 MOUNTING GP-WHEEL
Part of 1447165 Power Train Ar

FRAME AND BODY



R.H. SIDE VIEW



SECTION A-A

1420071 RECOIL GP-ADJUSTER RH SIDE
Part of 1447210 Undercarriage Ar

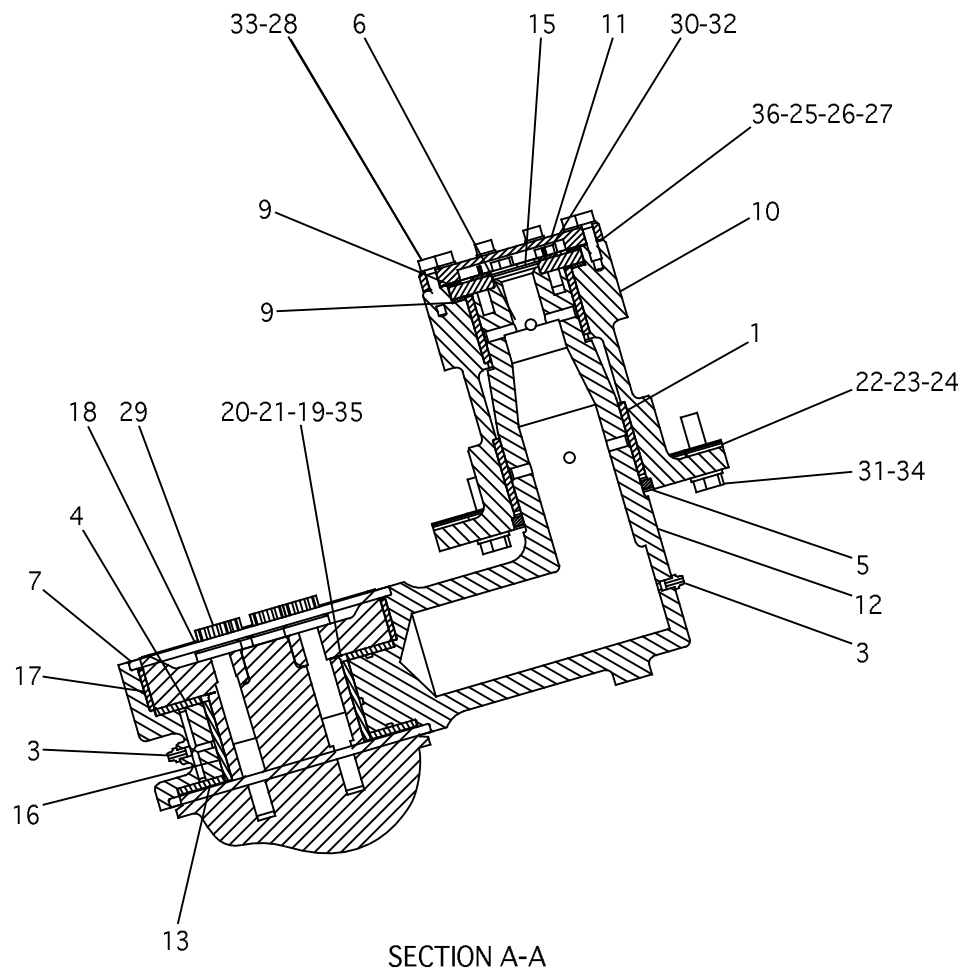
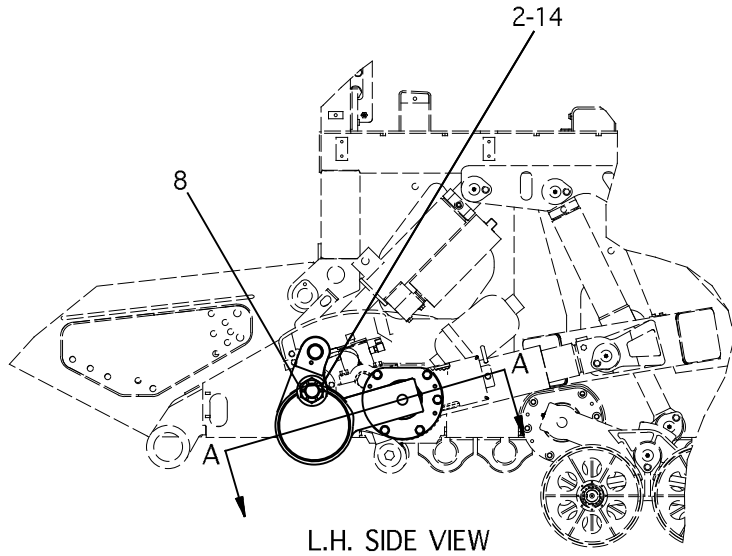
FRAME AND BODY

NOTE	REF NO	PART NUMBER	QTY	PART NAME	NOTE	REF NO	PART NUMBER	QTY	PART NAME
	1	1U3015	1	BEARING-SLEEVE					
	2	2B0286	1	NUT (2 UNF)					
	3	3B8489	1	FITTING (GREASE)					
	4	4D6640	2	WASHER-THRUST					
	5	5P0069	1	SEAL-LIP TYPE					
	6	7J2604	1	BEARING-SLEEVE					
	7	8K5271	2	SEAL-LIP TYPE					
E	8	0773286	50	WIRE					
	9	1228650	2	WASHER-THRUST					
	10	1247228	1	SOCKET					
	11	1247229	1	PLATE-RETAINER					
	12	1250826	1	ARM-SWING (RH)					
	13	1250839	1	ARM-PIVOT (FR)					
	14	1283120	1	PLATE-THRUST					
	15	1283121	1	PLATE-THRUST					
	16	1295620	1	BEARING-SLEEVE					
	17	1302383	1	BEARING-SLEEVE					
	18	1302384	1	RETAINER					
	19	1309164	3	SHIM-0.25 MM (0.10 IN)					
	20	1312803	3	SHIM-0.10 MM (.004 IN)					
	21	1312804	3	SHIM-0.05 MM (.0020 IN)					
	22	1437045	2	SHIM-3.0 MM (.12 IN)					
	23	1437046	2	SHIM-1.6 MM (.06 IN)					
	24	1437047	4	SHIM-0.8 MM (.03 IN)					
	25	1437932	3	SHIM-0.06 MM (.0024 IN)					
	26	1437933	3	SHIM-0.10 MM (.004 IN)					
	27	1437934	3	SHIM-0.25 MM (0.10 IN)					
M	28	8T0271	10	BOLT-HEX SOCKET (M10)					
	29	8T1904	6	BOLT-12 PT HEAD (1-1/8 UNC)					
M	30	8T4139	4	BOLT (M12)					
M	31	8T4140	10	BOLT (M16)					
	32	8T4223	4	WASHER-HARD					
	33	9X2027	10	WASHER-HARD					
	34	9X8257	6	WASHER-HARD					
	35	1649877	4	SHIM-0.08 MM (.0032 IN)					
	36	1649878	4	SHIM-0.08 MM (.0032 IN)					

E - ORDER BY THE CENTIMETER
M - METRIC PART

1420071 RECOIL GP-ADJUSTER RH SIDE
Part of 1447210 Undercarriage Ar

FRAME AND BODY



1420073 RECOIL GP-ADJUSTER LH SIDE
 Part of 1447210 Undercarriage Ar

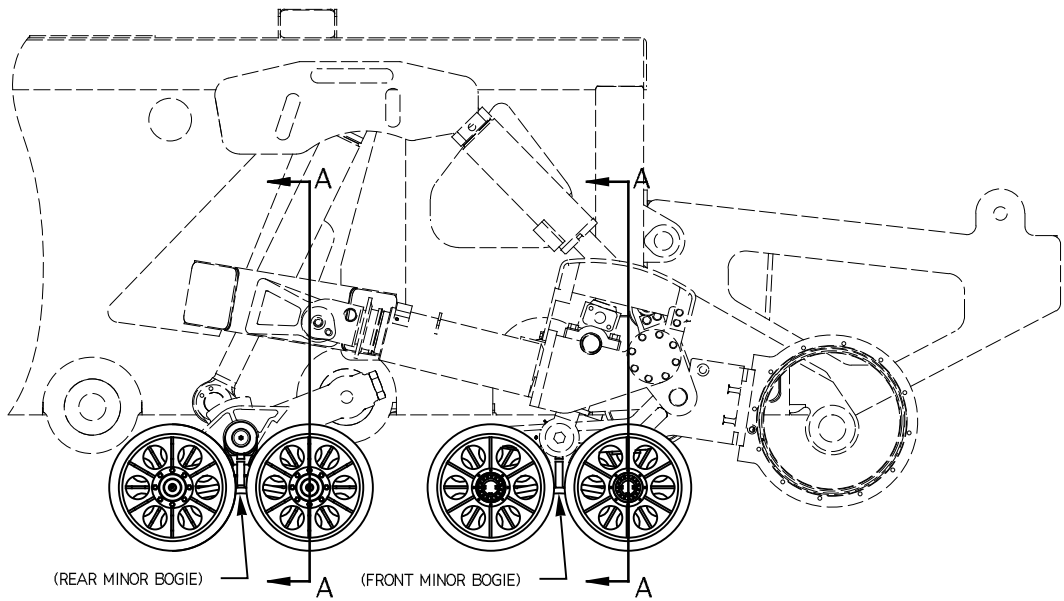
FRAME AND BODY

NOTE	REF NO	PART NUMBER	QTY	PART NAME	NOTE	REF NO	PART NUMBER	QTY	PART NAME
	1	1U3015	1	BEARING-SLEEVE					
	2	2B0286	1	NUT (2 UNF)					
	3	3B8489	1	FITTING (GREASE)					
	4	4D6640	2	WASHER-THRUST					
	5	5P0069	1	SEAL-LIP TYPE					
	6	7J2604	1	BEARING-SLEEVE					
	7	8K5271	2	SEAL-LIP TYPE					
E	8	0773286	50	WIRE					
	9	1228650	2	WASHER-THRUST					
	10	1247228	1	SOCKET					
	11	1247229	1	PLATE-RETAINER					
	12	1250827	1	ARM-SWING (LH)					
	13	1250839	1	ARM-PIVOT (FR)					
	14	1283120	1	PLATE-THRUST					
	15	1283121	1	PLATE-THRUST					
	16	1295620	1	BEARING-SLEEVE					
	17	1302383	1	BEARING-SLEEVE					
	18	1302384	1	RETAINER					
	19	1309164	3	SHIM-0.25 MM (0.10 IN)					
	20	1312803	3	SHIM-0.10 MM (.004 IN)					
	21	1312804	3	SHIM-0.05 MM (.0020 IN)					
	22	1437045	2	SHIM-3.0 MM (.12 IN)					
	23	1437046	2	SHIM-1.6 MM (.06 IN)					
	24	1437047	4	SHIM-0.8 MM (.03 IN)					
	25	1437932	3	SHIM-0.06 MM (.0024 IN)					
	26	1437933	3	SHIM-0.10 MM (.004 IN)					
	27	1437934	3	SHIM-0.25 MM (0.10 IN)					
M	28	8T0271	10	BOLT-HEX SOCKET (M10)					
M	29	8T1904	6	BOLT-12 PT HEAD (1-1/8 UNC)					
M	30	8T4139	4	BOLT (M12)					
M	31	8T4140	10	BOLT (M16)					
	32	8T4223	4	WASHER-HARD					
	33	9X2027	10	WASHER-HARD					
	34	9X8257	6	WASHER-HARD					
	35	1649877	4	SHIM-0.08 MM (.0032 IN)					
	36	1649878	4	SHIM-0.08 MM (.0032 IN)					

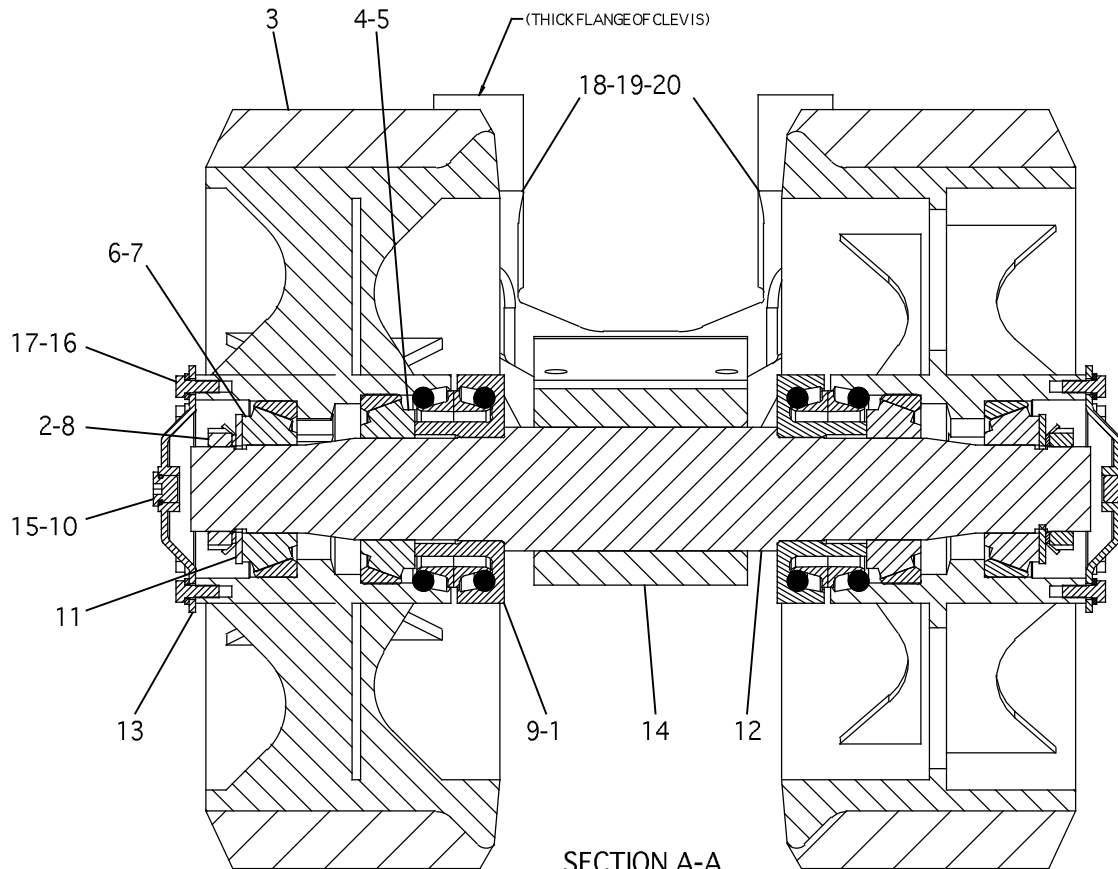
E - ORDER BY THE CENTIMETER
M - METRIC PART

1420073 RECOIL GP-ADJUSTER LH SIDE
Part of 1447210 Undercarriage Ar

FRAME AND BODY



RIGHT SIDE VIEW SHOWN
(THIS GP ALSO USED ON L.H. SIDE)



1243840 ROLLER GP-MIDDLE
Part of 1447210 Undercarriage Ar

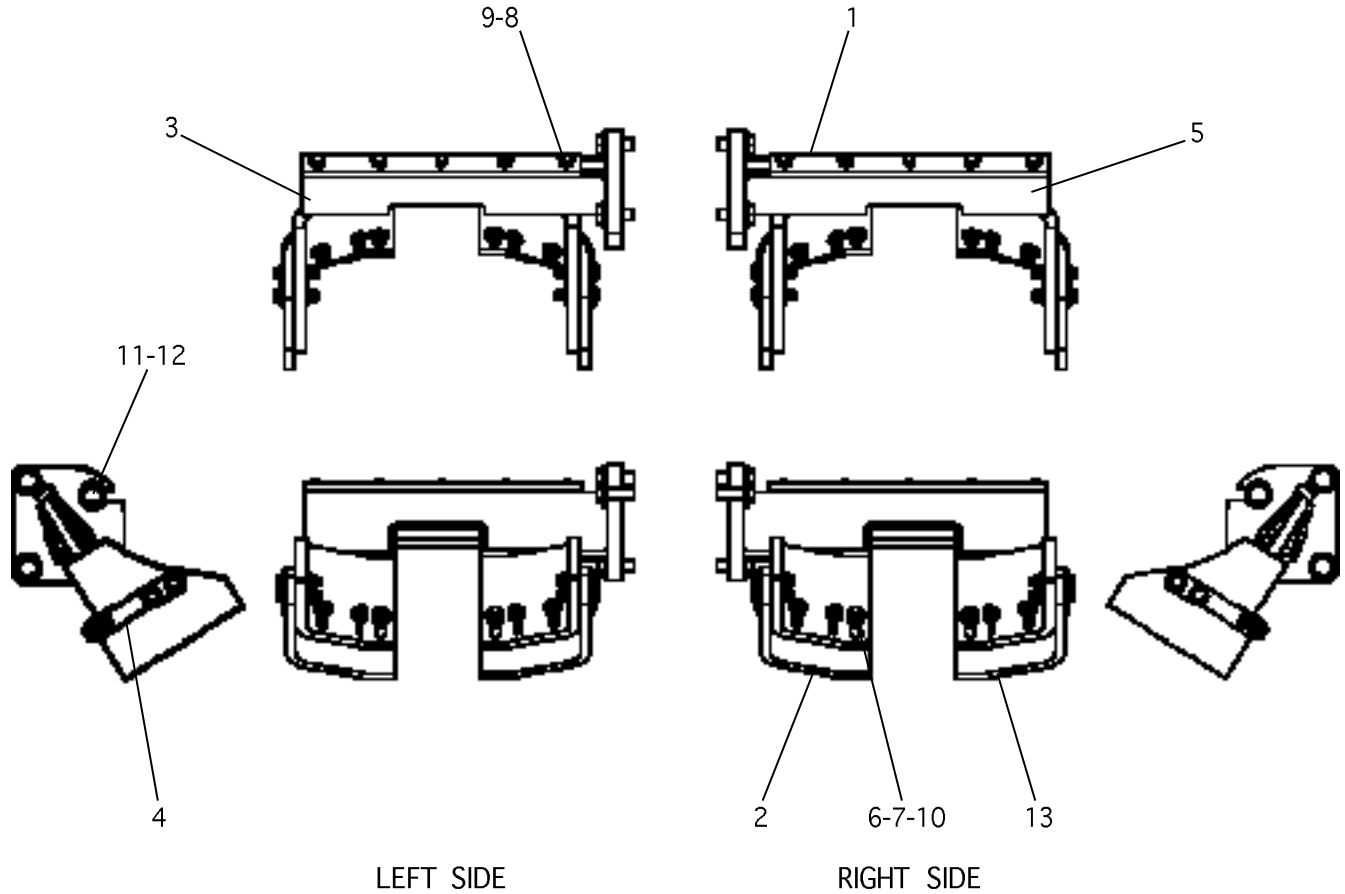
FRAME AND BODY

NOTE	REF NO	PART NUMBER	QTY	PART NAME	NOTE	REF NO	PART NUMBER	QTY	PART NAME
	1	1757513	1	SEAL GP-DUO CONE					
		8H2262	2	RING-SEALING					
	2	1N5970	4	LOCK-NUT (15 TANG)					
	3	1R1198	4	ROLLER AS					
	4	5P9651	4	CONE-RLR BEARING					
	5	5P9652	4	CUP-RLR BEARING					
	6	6S6031	4	CUP-RLR BEARING					
	7	6S6032	4	CONE-RLR BEARING					
	8	8B7614	4	NUT-LOCK (1-9/16)					
	9	8R9006	4	RETAINER					
	10	9S8003	4	PLUG-O-RING					
	11	541303	4	WASHER-BEARING					
	12	1082694	2	SHAFT					
	13	1082779	4	COVER AS					
	14	1433693	1	BOGIE-MINOR					
	15	1J9671	4	SEAL-O-RING (ORB-OD 14.1)					
M	16	5C9553	32	BOLT (M6)					
	17	9X8256	32	WASHER					
	18	1309165	1	SHIM-0.25 MM (.010 IN)					
	19	1312805	1	SHIM-0.1 MM (.004 IN)					
	20	1312806	1	SHIM-0.05 MM (.0002 IN)					

B - USE AS REQUIRED
M - METRIC PART

1243840 ROLLER GP-MIDDLE
Part of 1447210 Undercarriage Ar

FRAME AND BODY



LEFT SIDE

RIGHT SIDE

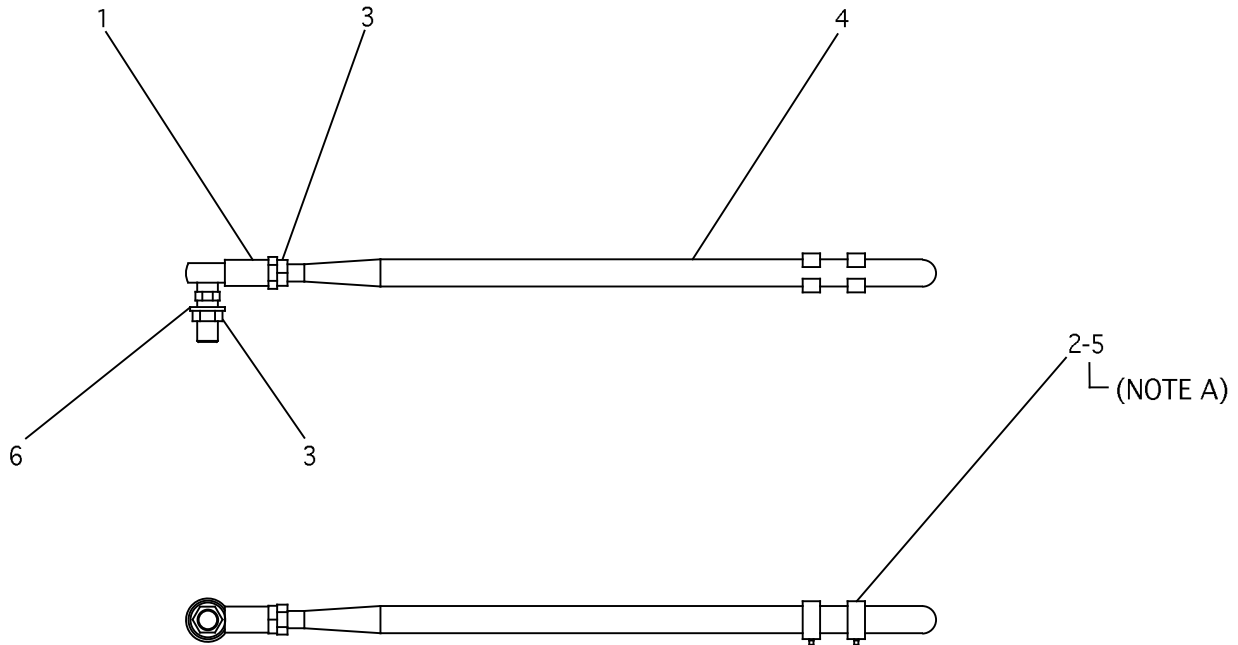
NOTE	REF NO	PART NUMBER	QTY	PART NAME	NOTE	REF NO	PART NUMBER	QTY	PART NAME
	1	1457243	2	BAR					
	2	1644615	2	BELT					
	3	1644616	1	SCRAPER AS					
	4	1644619	4	BAR					
	5	1650539	1	SCRAPER AS					
M	6	1293180	20	LOCKNUT (M12)					
	7	5P1076	40	WASHER-HARD					
	8	7X7729	10	WASHER					
M	9	8T4195	10	BOLT-HEX (M10)					
M	10	8T4648	20	BOLT-HEX (M12)					
	11	8T5439	6	WASHER-HARD					
M	12	8T6430	6	BOLT-HEX (M20)					
	13	1783885	2	BELT					

M - METRIC PART

1650540 SCRAPER GP-IDLER

Part of 1447210 Undercarriage Ar

FRAME AND BODY



NOTE A: ASSEMBLED TO FRAME GP

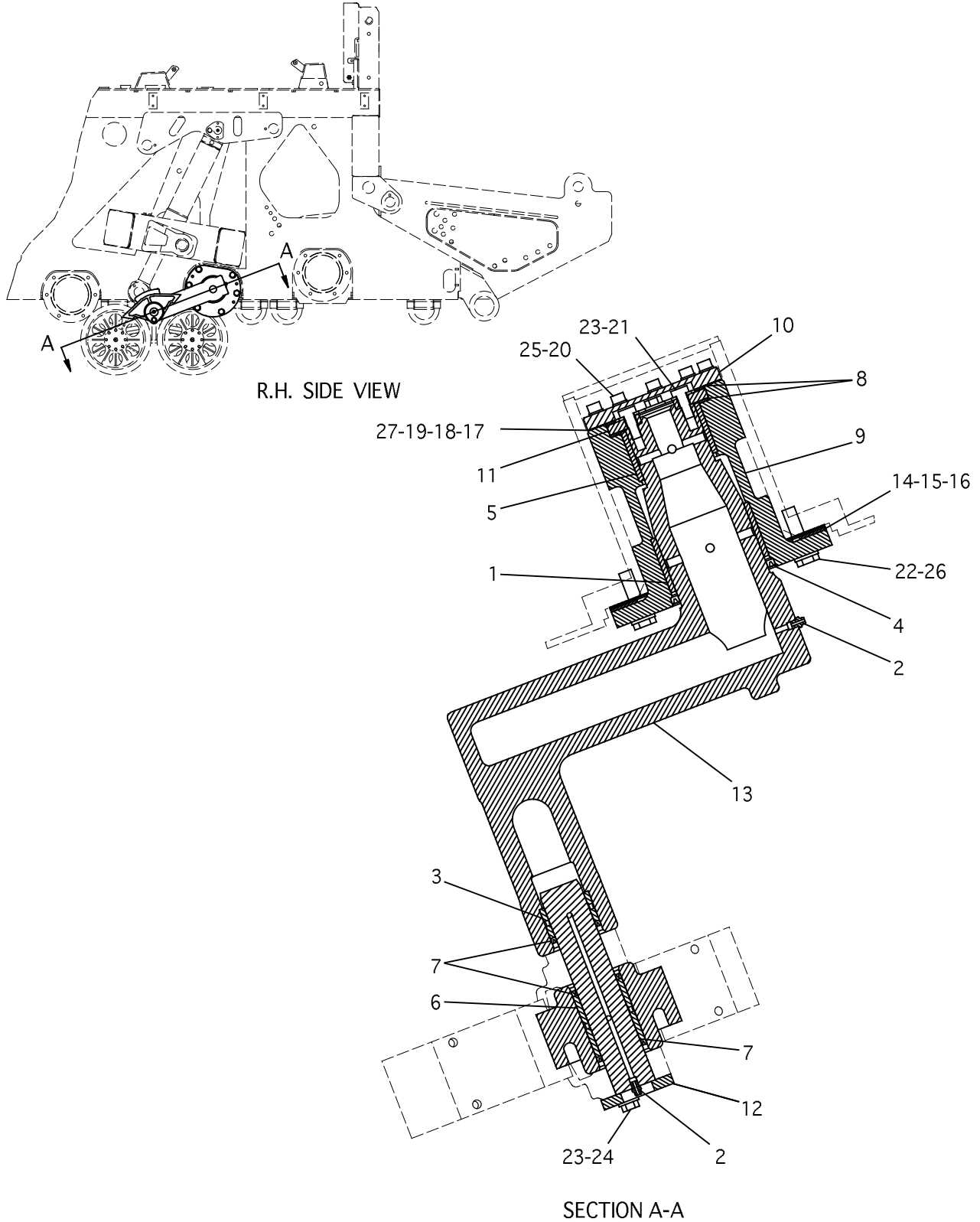
NOTE	REF NO	PART NUMBER	QTY	PART NAME	NOTE	REF NO	PART NUMBER	QTY	PART NAME
B	1	6V2861	1	ROD END					
	2	6V7005	2	CLIP					
	3	9S1354	2	NUT-JAM					
	4	1377588	1	ROD					
	5	7X3319	2	SCREW-HEX SOCKET					
	6	8T4122	3	WASHER-HARD					

B - USE AS REQUIRED

1378082 SUPPORT GP (RADIATOR)

Part of 1255578 Radiator Gp

FRAME AND BODY



1420067 SUPPORT GP-SUSPENSION RH SIDE
 Part of 1447210 Undercarriage Ar

FRAME AND BODY

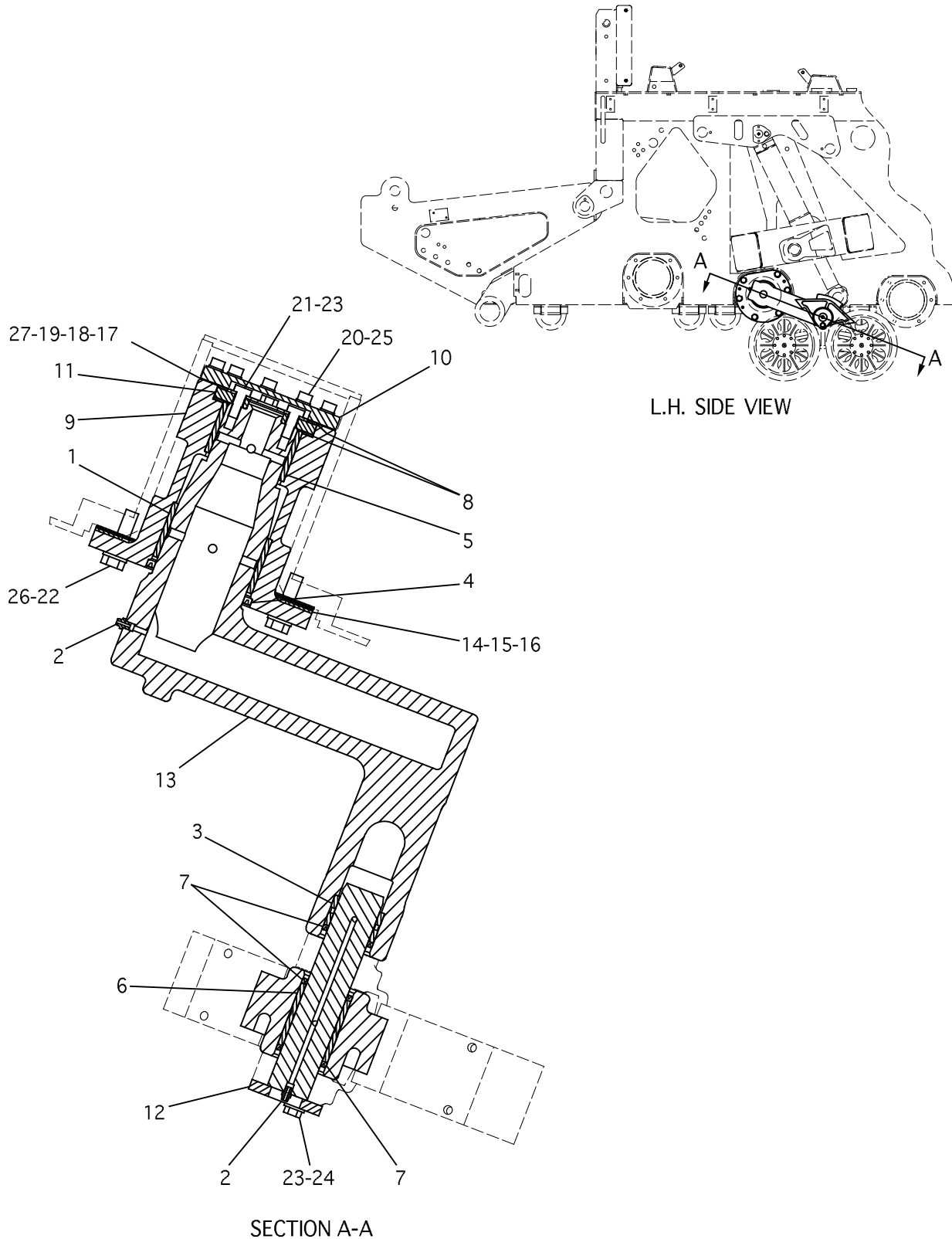
NOTE	REF NO	PART NUMBER	QTY	PART NAME	NOTE	REF NO	PART NUMBER	QTY	PART NAME
		1 1U3015	1	BEARING-SLEEVE					
		2 3B8489	2	FITTING (GREASE)					
		3 1674228	1	BEARING					
		4 5P0069	1	SEAL-LIP TYPE					
		5 7J2604	1	BEARING-SLEEVE					
		6 1687915	1	BEARING-SLEEVE					
		7 9D6583	3	SEAL-LIP TYPE					
		8 1228650	2	WASHER-THRUST					
		9 1247228	1	SOCKET					
		10 1247229	1	PLATE-RETAINER					
		11 1283121	1	PLATE-THRUST					
		12 1583538	1	PIN AS					
		13 1417421	1	ARM-SWING					
		14 1437045	2	SHIM-3.0 MM (.12 IN)					
		15 1437046	2	SHIM-1.6 MM (.06 IN)					
		16 1437047	4	SHIM-0.8 MM (.03 IN)					
		17 1437932	3	SHIM-0.06 MM (.0024 IN)					
		18 1437933	3	SHIM-0.10 MM (.004 IN)					
		19 1437934	3	SHIM-0.25 MM (0.10 IN)					
M		20 8T0271	10	BOLT (M10)					
M		21 8T4139	4	BOLT (M12)					
M		22 8T4140	6	BOLT (M16)					
		23 8T4223	4	WASHER-HARD					
M		24 1600821	1	BOLT (M16)					
		25 9X2027	10	WASHER					
		26 9X8257	7	WASHER					
		27 1649879	4	SHIM-0.08 MM (.0031 IN)					

M - METRIC PART

1420067 SUPPORT GP-SUSPENSION RH SIDE

Part of 1447210 Undercarriage Ar

FRAME AND BODY



1420068 SUPPORT GP-SUSPENSION LH SIDE
Part of 1447210 Undercarriage Ar

FRAME AND BODY

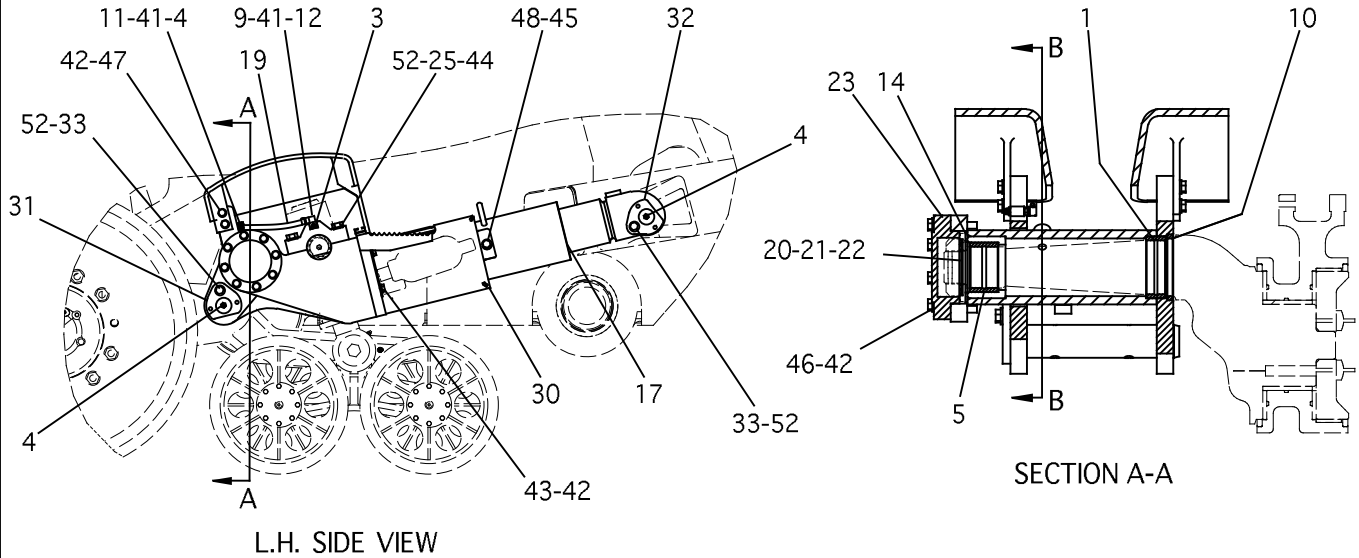
NOTE	REF NO	PART NUMBER	QTY	PART NAME	NOTE	REF NO	PART NUMBER	QTY	PART NAME
		1 1U3015	1	BEARING-SLEEVE					
		2 3B8489	2	FITTING (GREASE)					
		3 1674228	1	BEARING					
		4 5P0069	1	SEAL-LIP TYPE					
		5 7J2604	1	BEARING-SLEEVE					
		6 1687915	1	BEARING-SLEEVE					
		7 9D6583	3	SEAL-LIP TYPE					
		8 1228650	2	WASHER-THRUST					
		9 1247228	1	SOCKET					
		10 1247229	1	PLATE-RETAINER					
		11 1283121	1	PLATE-THRUST					
		12 1583538	1	PIN AS					
		13 1417420	1	ARM-SWING					
		14 1437045	2	SHIM-3.0 MM (.12 IN)					
		15 1437046	2	SHIM-1.6 MM (.06 IN)					
		16 1437047	4	SHIM-0.8 MM (.03 IN)					
		17 1437932	2	SHIM-0.06 MM (.0024 IN)					
		18 1437933	2	SHIM-0.10 MM (.004 IN)					
		19 1437934	2	SHIM-0.25 MM (0.10 IN)					
M		20 8T0271	10	BOLT (M10)					
M		21 8T4139	4	BOLT (M12)					
M		22 8T4140	6	BOLT (M16)					
		23 8T4223	4	WASHER-HARD					
M		24 1600821	1	BOLT (M16)					
		25 9X2027	10	WASHER					
		26 9X8257	7	WASHER					
		27 1649879	4	SHIM-0.08 MM (.0031 IN)					

M - METRIC PART

1420068 SUPPORT GP-SUSPENSION LH SIDE

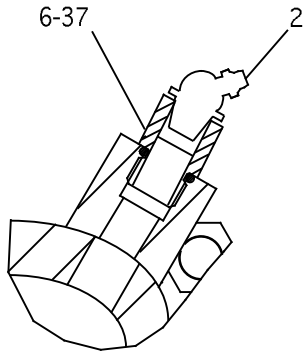
Part of 1447210 Undercarriage Ar

FRAME AND BODY

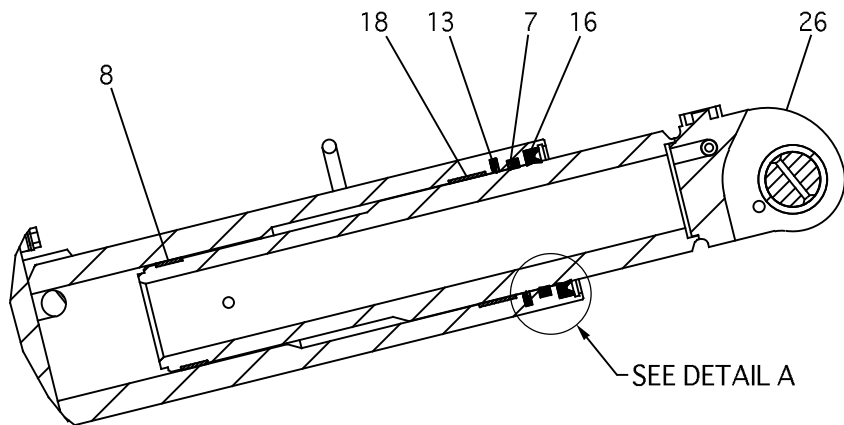
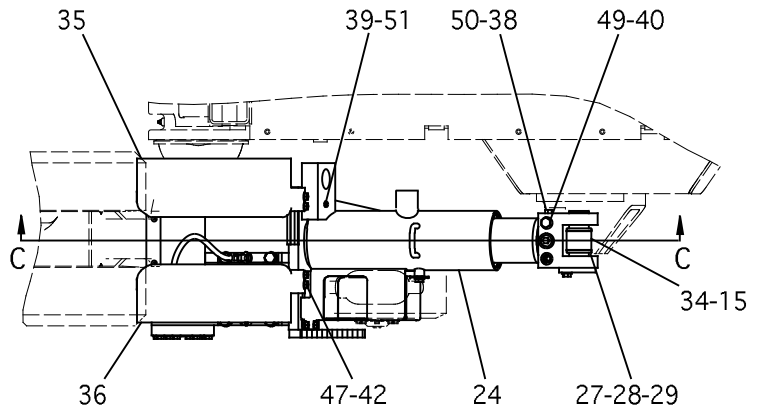


L.H. SIDE VIEW

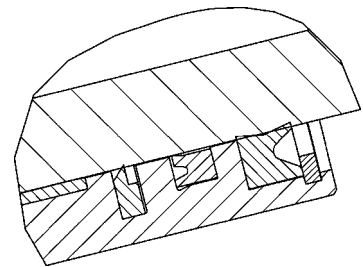
SECTION A-A



SECTION B-B



SECTION C-C



DETAIL A

1697416 TENSIONER GP LH SIDE
Part of 1447210 Undercarriage Ar

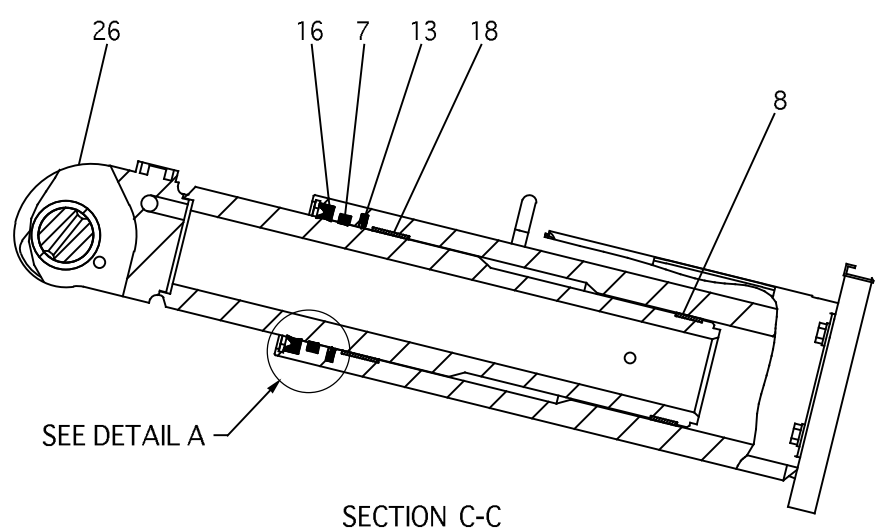
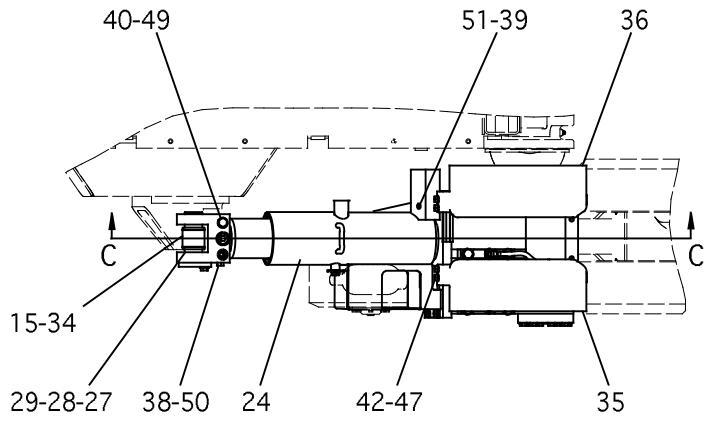
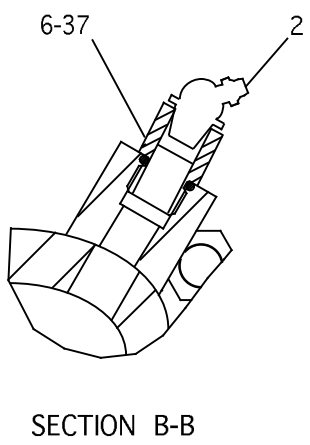
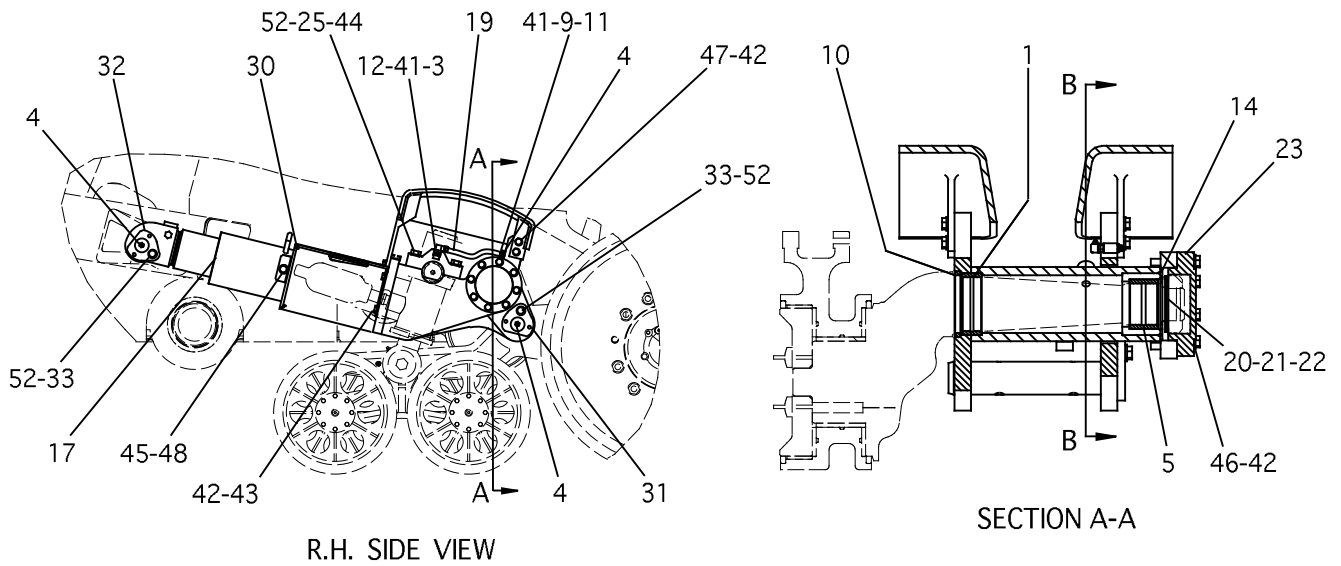
FRAME AND BODY

NOTE	REF NO	PART NUMBER	QTY	PART NAME	NOTE	REF NO	PART NUMBER	QTY	PART NAME
		1J1953	1	BEARING-SLEEVE					
		3B8485	1	FITTING 45° (GREASE)					
		3B8488	1	FITTING 90° (GREASE)					
		3B8489	3	FITTING (GREASE)					
		4K0299	1	BEARING					
		5P4487	1	ADAPTER (M-STOR,F-NPTF)					
		1672336	1	SEAL-U-CUP					
		6J2797	1	RING-WEAR					
		6K6967	1	ADAPTER (M,F-NPTF)					
		7K9211	1	SEAL-LIP TYPE					
		7R6728	1	ADAPTER 45° (M-ORFS,M-NPTF)					
		8C6865	1	CONNECTOR (M-ORFS,M-NPTF)					
		8C9144	1	SEAL AS					
		9D5941	1	WASHER-THRUST					
		9D6583	2	SEAL-LIP TYPE					
		9X3580	1	SEAL-LIP TYPE					
		9X6574	1	RING-RETAINING					
		875505	1	RING					
		910842	1	HOSE AS					
B		1243851	1	SHIM-1.6 MM (.06 IN)					
B		1243858	1	SHIM-0.8 MM (.03 IN)					
B		1249039	1	SHIM-3 MM (.12 IN)					
		1302385	1	COVER					
		1433986	1	RECOIL AS-LH					
		3B6487	1	COUPLING (F,F-NPTF)					
		1433991	2	CAP					
		1433992	1	ROD-CYLINDER					
B		1448001	4	SHIM-3 MM (.12 IN)					
B		1448002	5	SHIM-1.6 MM (.06 IN)					
B		1448003	5	SHIM-0.8 MM (.03 IN)					
		1552033	1	GUARD					
		1583540	1	PIN AS					
		1583541	1	PIN AS					
M		1600821	2	BOLT (M16)					
		1614125	1	BEARING-SLEEVE					
		1617255	1	GUIDE-TRACK					
		1617257	1	GUIDE-TRACK					
		1J9671	1	SEAL-O-RING (ORB-OD 14.1)					
		3J1907	1	SEAL-O-RING (ORB-OD 15.9)					
		3J7354	1	SEAL-O-RING (ORB-OD 12.5)					
		3K0360	1	SEAL-O-RING (ORB-OD 20.8)					
		4J5477	2	SEAL-O-RING (ORFS-OD 12.2)					
		8T4121	18	WASHER-HARD					
M		8T4137	2	BOLT (M10)					
M		8T4140	4	BOLT (M16)					
M		8T4179	1	BOLT (M12)					
M		8T4182	8	BOLT (M10)					
M		8T4195	8	BOLT (M10)					
M		8T4223	1	WASHER-HARD (M12)					
		9S4185	1	PLUG-O-RING					
		9S4191	1	PLUG-STOP					
		9S8002	1	PLUG-O-RING					
		9X8257	6	WASHER					

B - USE AS REQUIRED
M - METRIC PART

1697416 TENSIONER GP LH SIDE
Part of 1447210 Undercarriage Ar

FRAME AND BODY



1697417 TENSIONER GP RH SIDE
Part of 1447210 Undercarriage Ar

FRAME AND BODY

NOTE	REF NO	PART NUMBER	QTY	PART NAME	NOTE	REF NO	PART NUMBER	QTY	PART NAME
		1J1953	1	BEARING-SLEEVE					
		3B8485	1	FITTING 45° (GREASE)					
		3B8488	1	FITTING 90° (GREASE)					
		3B8489	3	FITTING (GREASE)					
		4K0299	1	BEARING					
		5P4487	1	ADAPTER (M-STOR,F-NPTF)					
		1672336	1	SEAL-U-CUP					
		6J2797	1	RING-WEAR					
		6K6967	1	ADAPTER (M,F-NPTF)					
		7K9211	1	SEAL-LIP TYPE					
		7R6728	1	ADAPTER 45° (M-ORFS,M-NPTF)					
		8C6865	1	CONNECTOR (M-ORFS,M-NPTF)					
		8C9144	1	SEAL AS					
		9D5941	1	WASHER-THRUST					
		9D6583	2	SEAL-LIP TYPE					
		9X3580	1	SEAL-LIP TYPE					
		9X6574	1	RING-RETAINING					
		875505	1	RING					
		910842	1	HOSE AS					
B		1243851	1	SHIM-1.6 MM (.06 IN)					
B		1243858	1	SHIM-0.8 MM (.03 IN)					
B		1249039	1	SHIM-3 MM (.12 IN)					
		1302385	1	COVER					
		1433987	1	RECOIL AS-RH					
		3B6487	1	COUPLING (F,F-NPTF)					
		1433991	2	CAP					
		1433992	1	ROD-CYLINDER					
B		1448001	4	SHIM-3 MM (.12 IN)					
B		1448002	5	SHIM-1.6 MM (.06 IN)					
B		1448003	5	SHIM-0.8 MM (.03 IN)					
		1552035	1	GUARD					
		1583540	1	PIN AS					
		1583541	1	PIN AS					
M		1600821	2	BOLT (M16)					
		1614125	1	BEARING-SLEEVE					
		1617255	1	GUIDE-TRACK					
		1617257	1	GUIDE-TRACK					
		1J9671	1	SEAL-O-RING (ORB-OD 14.1)					
		3J1907	1	SEAL-O-RING (ORB-OD 15.9)					
		3J7354	1	SEAL-O-RING (ORB-OD 12.5)					
		3K0360	1	SEAL-O-RING (ORB-OD 20.8)					
		4J5477	2	SEAL-O-RING (ORFS-OD 12.2)					
		8T4121	18	WASHER-HARD					
M		8T4137	2	BOLT (M10)					
M		8T4140	4	BOLT (M16)					
M		8T4179	1	BOLT (M12)					
M		8T4182	8	BOLT (M10)					
M		8T4195	8	BOLT (M10)					
M		8T4223	1	WASHER-HARD (M12)					
		9S4185	1	PLUG-O-RING					
		9S4191	1	PLUG-STOP					
		9S8002	1	PLUG-O-RING					
		9X8257	6	WASHER					

B - USE AS REQUIRED
M - METRIC PART

1697417 TENSIONER GP RH SIDE

Part of 1447210 Undercarriage Ar

FRAME AND BODY

1	1680239	ACCUMULATOR GP (TENSIONER) ..	307
2	1R1287	BELT-TRACK DRIVE	477
1	1659877	COVER GP-SUSPENSION	221
2	1243842	CYL GP & MOUNTING (FRONT)	316
2	1243847	CYL GP & MOUNTING (BOGIE)	318
2	1243900	CYL GP & MOUNTING (MID)	320
2	1243901	CYL GP & MOUNTING (REAR).....	322
2	1430837	IDLER GP-FRONT	236
1	1420065	IDLER GP-TRACK (LH)	238
1	1420066	IDLER GP-TRACK (RH).....	240
1	1420071	RECOIL GP-ADJUST (RH)	246
1	1420073	RECOIL GP-ADJUST (LH).....	248
4	1243840	ROLLER GP-MIDDLE	250
1	1650540	SCRAPER GP-IDLER	252
1	1420067	SUPPORT GP-SUSP (RH)	254
1	1420068	SUPPORT GP-SUSP (LH).....	256
1	1697416	TENSIONER GP (LH)	258
1	1697417	TENSIONER GP (RH)	260

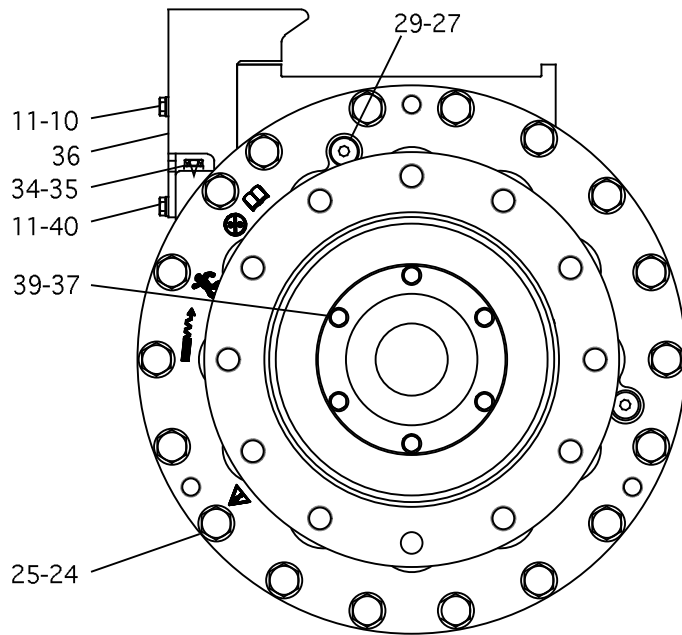
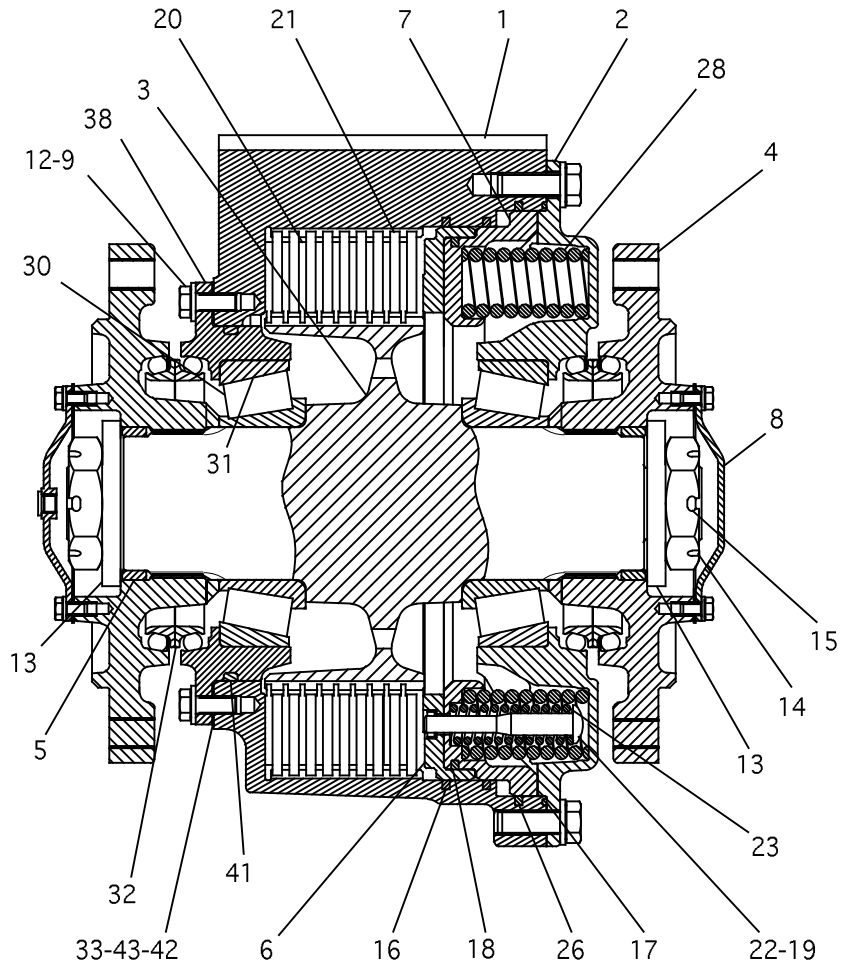
1447210 UNDERCARRIAGE AR

Part of 1447162 General Ar

NOTES

A large, empty rectangular box with a black border, intended for handwritten notes.

BRAKING SYSTEM



1419989 BRAKE GP
Part of 1430837 Idler Gp-Front

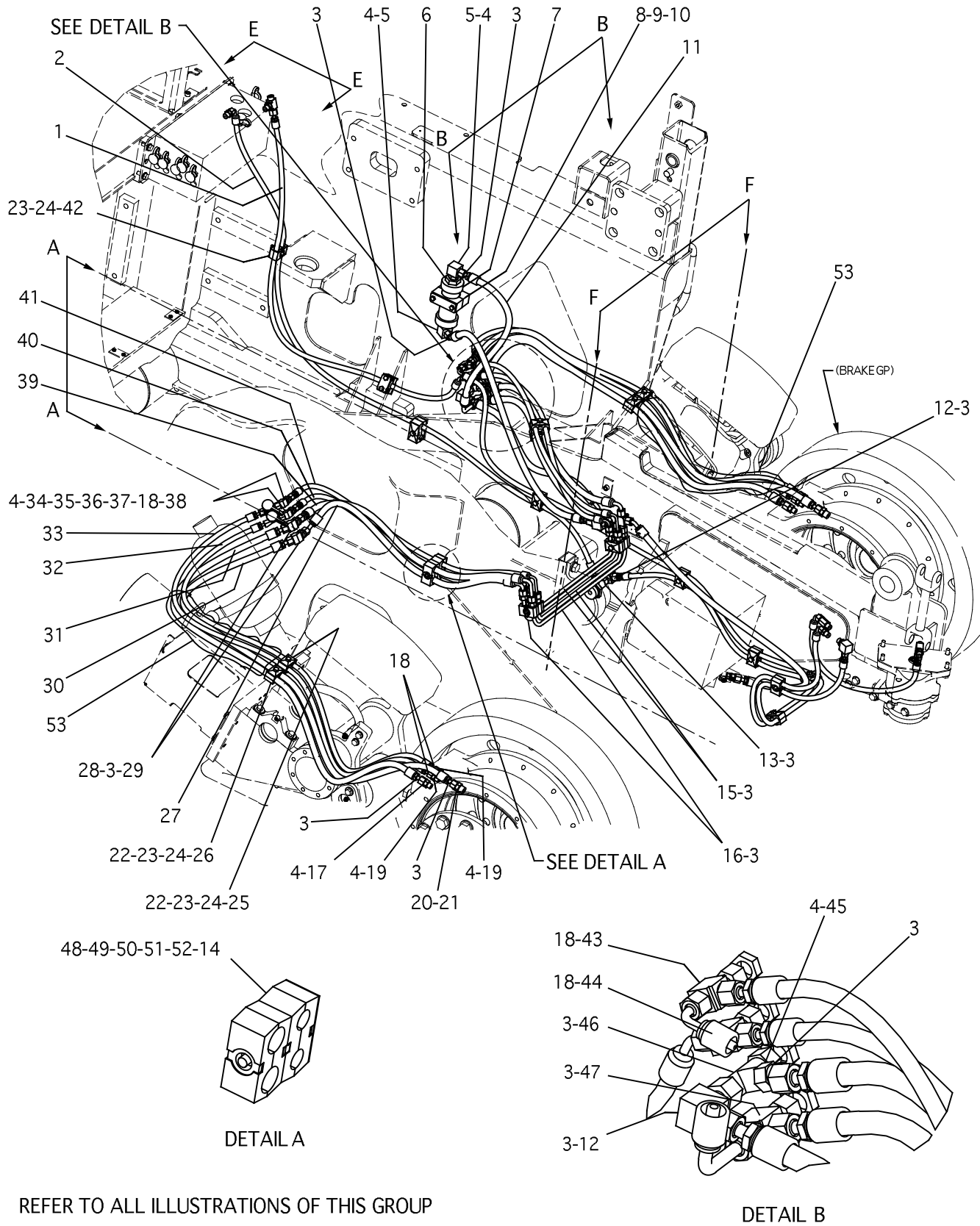
BRAKING SYSTEM

NOTE	REF NO	PART NUMBER	QTY	PART NAME	NOTE	REF NO	PART NUMBER	QTY	PART NAME
	1	1421456	1	HOUSING AS					
		4B9784	2	BALL					
	2	1419988	1	COVER					
	3	1419986	1	SHAFT					
	4	1419987	2	HUB					
	5	1291326	2	RING					
	6	1291327	1	PISTON					
	7	1291328	1	PISTON					
	8	1872719	2	COVER AS					
	9	8T4223	8	WASHER-HARD					
M	10	8T4172	1	BOLT (M10 X 1.5)					
	11	8T4121	3	WASHER-HARD					
M	12	8T4139	8	BOLT (M12 X 1.75)					
	13	1W0122	2	WASHER					
	14	2B0286	2	NUT					
D	15	773286	1	WIRE					
	16	1423352	2	SEAL-BRAKE					
	17	6V5058	1	SEAL-O-RING (OD 392.4)					
	18	1287710	1	SEAL					
	19	6M9155	3	PIN					
	20	8E8337	9	DISC-FRICTION					
	21	1291902	9	PLATE-SEPARATOR					
	22	1291329	3	PIN					
		9D9118	1	GUIDE-SPRING					
	23	9D9121	3	SPRING					
M	24	8T7338	18	BOLT (M16 X 2)					
	25	9X8257	18	WASHER					
	26	1423353	1	SEAL-BRAKE					
	27	9S8005	2	PLUG-O-RING (3/4-16)					
	28	9D6093	12	SPRING					
	29	3K0360	2	SEAL-O-RING (ORB-OD 20.8)					
	30	8E7926	2	CONE-SPL ROLLER BEARING					
	31	8E7927	2	CUP-SPL ROLLER BEARING					
	32	4C1494	2	SEAL GP-DUO CONE					
		5P3401	2	RING-TORIC SEAL					
		4C1493	2	SEAL-RING					
B	33	1426125	12	SHIM-0.178 MM (.007 IN)					
	34	9S4191	2	PLUG-STOP					
	35	3J1907	2	SEAL-O-RING (ORB-OD 15.9)					
	36	1421648	1	COVER AS					
		4V6440	1	SPACER					
M	37	7X4200	12	BOLT (M8 X 1.25)					
	38	1422051	1	CAGE-BEARING					
	39	8T4224	12	WASHER-HARD					
M	40	8T4136	2	BOLT (M10 X 1.5)					
	41	3P0658	1	SEAL-O-RING (OD 216.5)					
B	42	1426123	12	SHIM-0.076 MM (.003 IN)					
B	43	1426124	12	SHIM-0.127 MM (.005 IN)					

B - USE AS REQUIRED
D - ORDER BY THE METER
M - METRIC PART

1419989 BRAKE GP
Part of 1430837 Idler Gp-Front

BRAKING SYSTEM



REFER TO ALL ILLUSTRATIONS OF THIS GROUP

1448614 LINES GP-BRAKE PART 1 OF 4
Part of 1447167 Hydraulic Ar-Aux

BRAKING SYSTEM

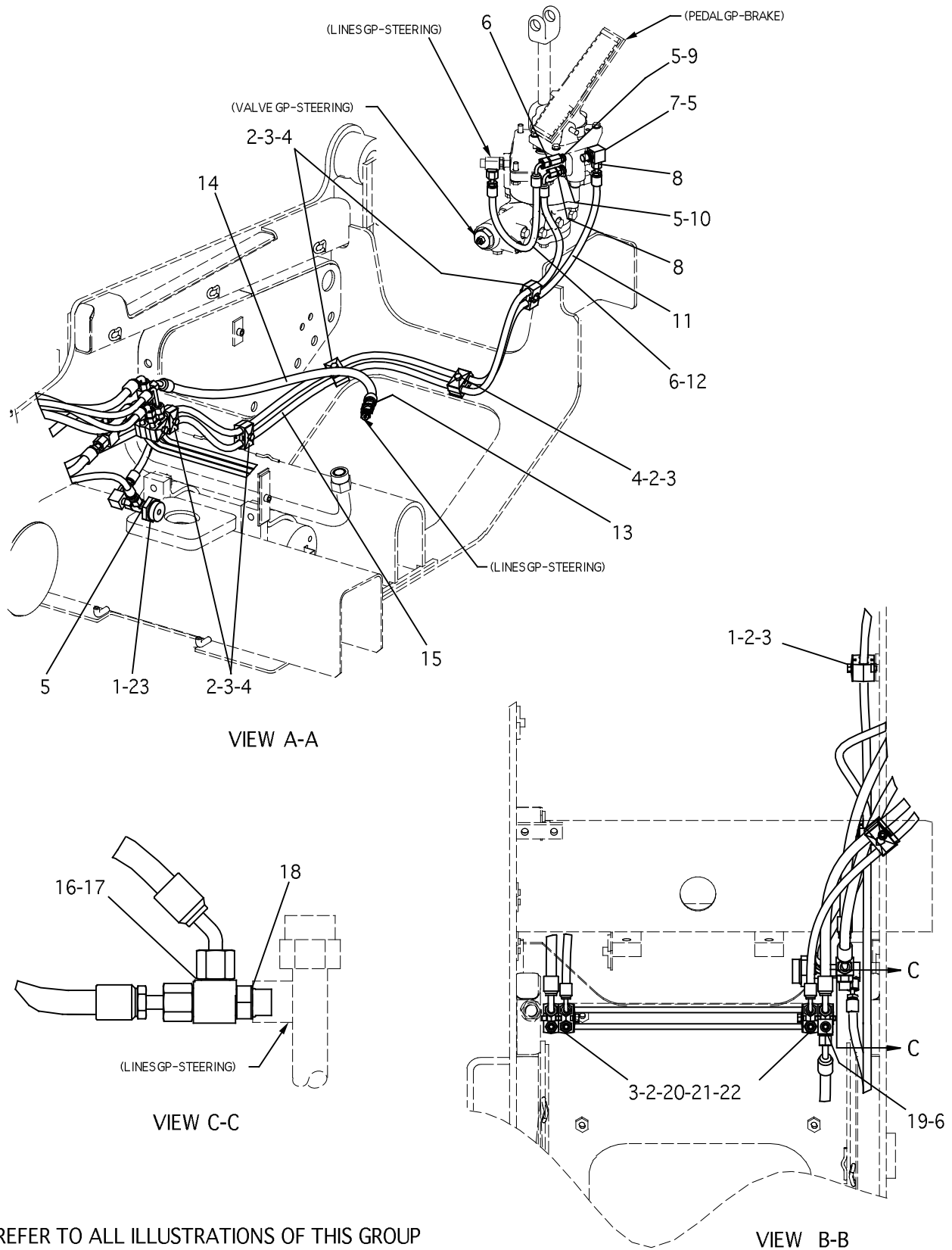
NOTE	REF NO	PART NUMBER	QTY	PART NAME	NOTE	REF NO	PART NUMBER	QTY	PART NAME
	1	1549760	1	HOSE AS					
	2	1549762	1	HOSE AS					
	3	6V8397	23	SEAL-O-RING (ORFS-OD 13.8)					
	4	3J1907	8	SEAL-O-RING (ORB-OD 15.9)					
	5	6V8723	2	ELBOW 90° (M-ORFS,M-STOR)					
	6	1540868	1	STRAINER-SUCTION					
	7	1539515	1	TUBE AS					
	8	7R7942	2	CLAMP-TUBE					
	9	7R7952	1	PLATE-COVER					
	10	7X0265	2	BOLT (1/4)					
	11	1549763	1	HOSE AS					
	12	6V9850	2	ELBOW 90° (M,F-ORFS)					
	13	6V8781	1	TEE (M-ORFS,M-STOR,M-ORFS)					
	14	4V0611	2	CLAMP-DOUBLE					
	15	1493228	2	TUBE AS					
		6V8718	2	CONNECTOR (M-STOR,TUBE)					
	16	1493227	2	TUBE AS					
		6V3336	2	CONNECTOR-SEAL					
	17	6V8636	1	CONNECTOR (M-ORFS,M-STOR)					
	18	4J5477	14	SEAL-O-RING (ORFS-OD 12.2)					
	19	6V8641	2	CONNECTOR (M-ORFS,M-STOR)					
	20	3K0360	1	SEAL-O-RING (ORB-OD 20.8)					
	21	6V8634	1	CONNECTOR (M-ORFS,M-STOR)					
	22	7R7965	2	NUT-RAIL					
	23	3V0046	2	PLATE					
	24	8C6561	3	BOLT (5/16)					
	25	0869286	2	CLAMP-TWIN					
	26	6R3341	2	CLAMP					
	27	1607596	1	HOSE AS					
	28	6V9168	2	NUT-BULKHEAD					
	29	6V8987	2	ELBOW 45° (M,F-ORFS)					
	30	0870330	1	HOSE AS					
	31	1344425	1	HOSE AS					
	32	1549751	1	HOSE AS					
	33	1549752	1	HOSE AS					
	34	6V3965	2	NIPPLE AS					
	35	7X2444	2	TEE (M,F-ORFS,F-STOR)					
	36	6V0852	2	CAP-DUST					
	37	2P1279	2	LOCKNUT					
	38	6V8986	2	ELBOW 45° (M,F-ORFS)					
	39	1493212	1	HOSE AS					
	40	1549759	1	HOSE AS					
	41	1549808	1	HOSE AS					
	42	1G6094	2	CLAMP					
	43	6V9835	1	TEE (M-ORFS,M-STOR,M-ORFS)					
	44	6V9842	1	TEE (M,M-ORFS,M-STOR)					
	45	1524700	1	VALVE-CHECK					
	46	8T8902	1	TEE (M,F-ORFS,F-STOR)					
	47	6V9836	1	TEE (M-ORFS,M-STOR,M-ORFS)					
	48	7X0440	1	BOLT (5/16)					
	49	4V0939	1	BOLT (5/16)					
	50	7R7964	2	PLATE-SAFETY					
	51	4V0612	1	PLATE					
	52	7R7962	2	CLAMP					
D	53	6R2050	2.5	SLEEVE-ABRASION					

D - ORDER BY THE METER

1448614 LINES GP-BRAKE PART 1 OF 4

Part of 1447167 Hydraulic Ar-Aux

BRAKING SYSTEM



1448614 LINES GP-BRAKE PART 2 OF 4
Part of 1447167 Hydraulic Ar-Aux

BRAKING SYSTEM

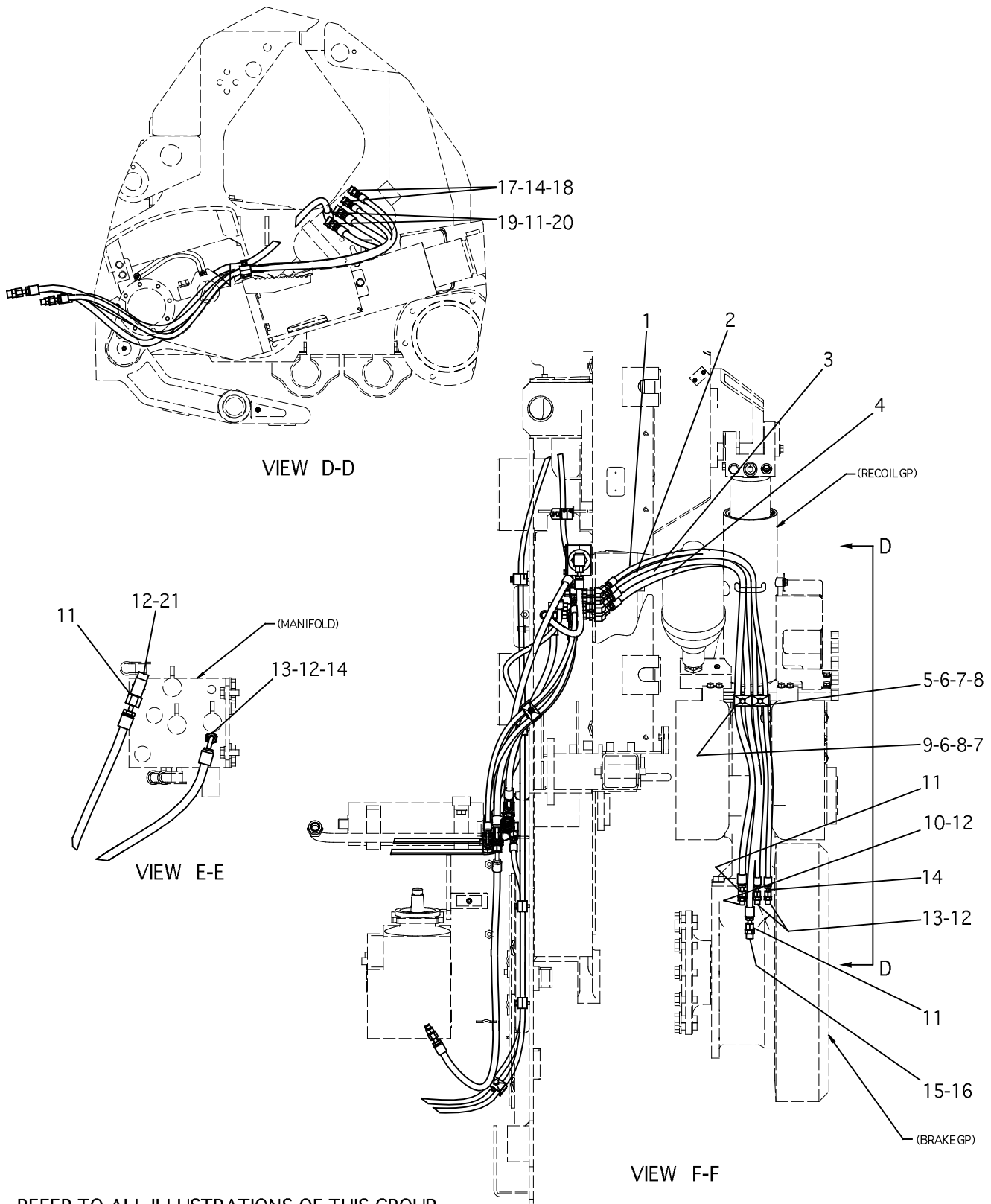
NOTE	REF NO	PART NUMBER	QTY	PART NAME	NOTE	REF NO	PART NUMBER	QTY	PART NAME
	1	1232151	1	PLUG					
	2	8C6561	8	BOLT (5/16)					
	3	3V0046	8	PLATE					
	4	1G6094	12	CLAMP					
	5	3J1907	4	SEAL-O-RING (ORB-OD 15.9)					
	6	6V8397	4	SEAL-O-RING (ORFS-OD 13.8)					
	7	6V8627	1	ELBOW 90° (M-ORFS,M-STOR)					
	8	4J5477	2	SEAL-O-RING (ORFS-OD 12.2)					
	9	8T0075	1	CONNECTOR (M-ORFS,M-STOR)					
	10	6V8641	1	CONNECTOR (M-ORFS,M-STOR)					
	11	1153987	1	HOSE AS					
E		9X2348	286	HOSE (BULK)					
		9X3757	1	COUPLING-HOSE (ORFS)					
		9X3779	1	COUPLING-HOSE 90° (ORFS)					
	12	1549755	1	HOSE AS					
	13	1521355	1	VALVE-FLUSH					
	14	1048626	1	HOSE AS					
	15	1549761	1	HOSE AS					
	16	6V8782	1	TEE (M-ORFS,M-STOR,M-ORFS)					
	17	6V8398	2	SEAL-O-RING (ORFS-OD 16)					
	18	3K0360	1	SEAL-O-RING (ORB-OD 20.8)					
	19	6V9836	1	TEE (M-ORFS,M-STOR,M-ORFS)					
	20	6W0210	2	BOLT (5/16)					
	21	7R7964	8	PLATE-SAFETY					
	22	0868673	8	CLAMP-TUBE TWIN					
	23	2S4078	1	SEAL-O-RING (ORB-OD 43.5)					

E - ORDER BY THE CENTIMETER

1448614 LINES GP-BRAKE PART 2 OF 4

Part of 1447167 Hydraulic Ar-Aux

BRAKING SYSTEM



REFER TO ALL ILLUSTRATIONS OF THIS GROUP

1448614 LINES GP-BRAKE PART 3 OF 4
Part of 1447167 Hydraulic Ar-Aux

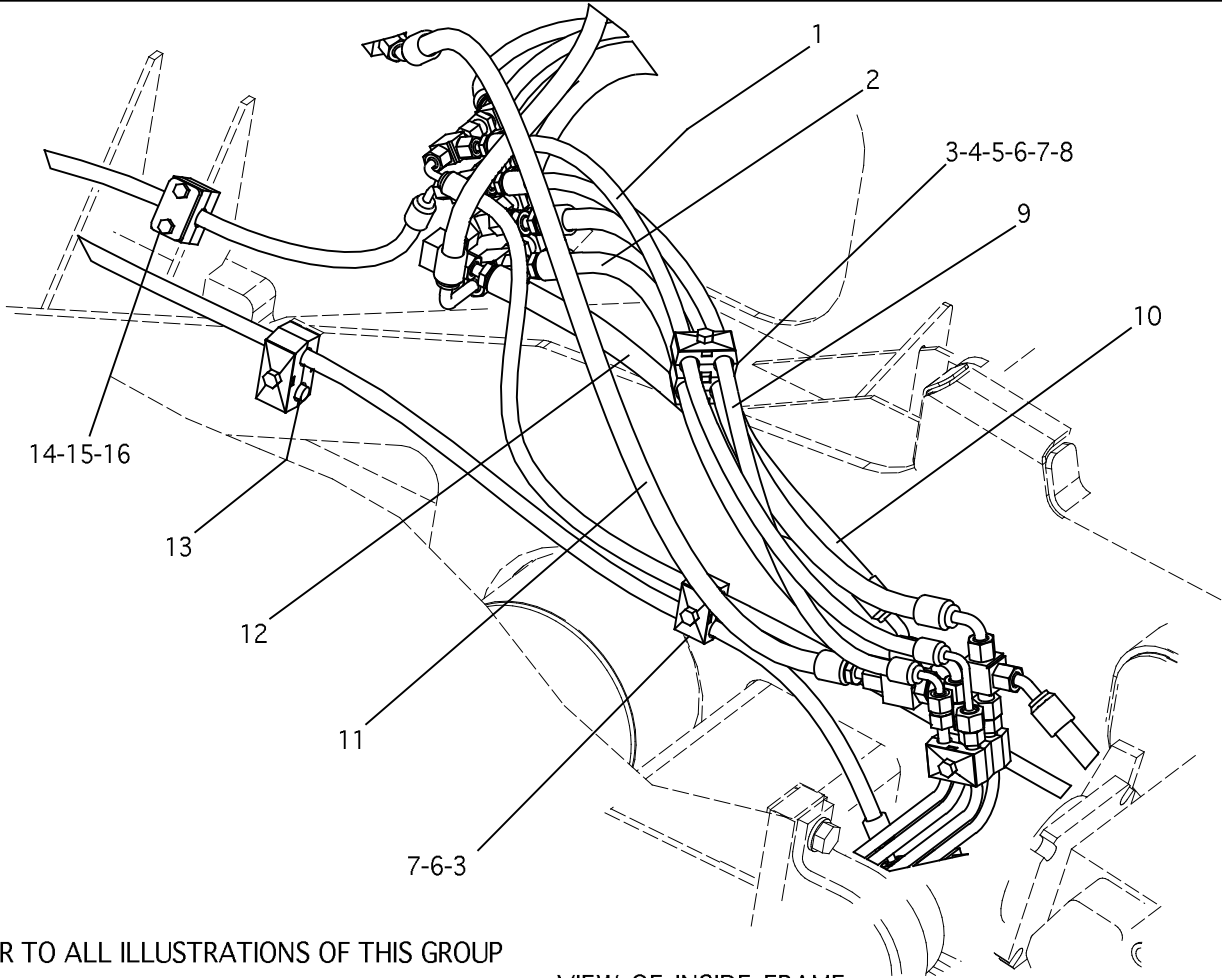
BRAKING SYSTEM

NOTE	REF NO	PART NUMBER	QTY	PART NAME	NOTE	REF NO	PART NUMBER	QTY	PART NAME
	1	1549752	1	HOSE AS					
	2	1549751	1	HOSE AS					
	3	1344425	1	HOSE AS					
	4	0870330	1	HOSE AS					
	5	0869286	2	CLAMP-TWIN					
	6	7R7965	1	NUT-RAIL					
	7	8C6561	2	BOLT (5/16)					
	8	3V0046	2	PLATE					
	9	6R3341	2	CLAMP					
	10	6V8636	1	CONNECTOR (M-ORFS,M-STOR)					
	11	6V8397	7	SEAL-O-RING (ORFS-OD 13.8)					
	12	3J1907	5	SEAL-O-RING (ORB-OD 15.9)					
	13	6V8641	3	CONNECTOR (M-ORFS,M-STOR)					
	14	4J5477	7	SEAL-O-RING (ORFS-OD 12.2)					
	15	6V8634	1	CONNECTOR (M-ORFS,M-STOR)					
	16	3K0360	1	SEAL-O-RING (ORB-OD 20.8)					
	17	6V8986	2	ELBOW 45° (M,F-ORFS)					
	18	2P1279	2	LOCKNUT					
	19	6V8987	2	ELBOW 45° (M,F-ORFS)					
	20	6V9168	2	NUT-BULKHEAD					
	21	6V8774	1	TEE (M,M-ORFS,M-STOR)					

1448614 LINES GP-BRAKE PART 3 OF 4

Part of 1447167 Hydraulic Ar-Aux

BRAKING SYSTEM



REFER TO ALL ILLUSTRATIONS OF THIS GROUP

VIEW OF INSIDE FRAME
LEFT HAND SIDE

NOTE	REF NO	PART NUMBER	QTY	PART NAME	NOTE	REF NO	PART NUMBER	QTY	PART NAME
	1	1549757	1	HOSE AS					
	2	1374475	1	HOSE AS					
	3	1G6094	4	CLAMP					
	4	6W0210	1	BOLT (5/16)					
	5	7R7964	2	PLATE-SAFETY					
	6	8C6561	2	BOLT (5/16)					
	7	3V0046	2	PLATE					
	8	6R3341	2	CLAMP					
	9	1549756	1	HOSE AS					
	10	1586570	1	HOSE AS					
	11	1549767	1	HOSE AS					
	12	1549764	1	HOSE AS					
	13	0869300	1	BAR					
	14	7R7906	2	CLAMP-PIPE					
	15	7V5628	1	PLATE					
	16	4M5282	2	BOLT-HEX (1/4)					

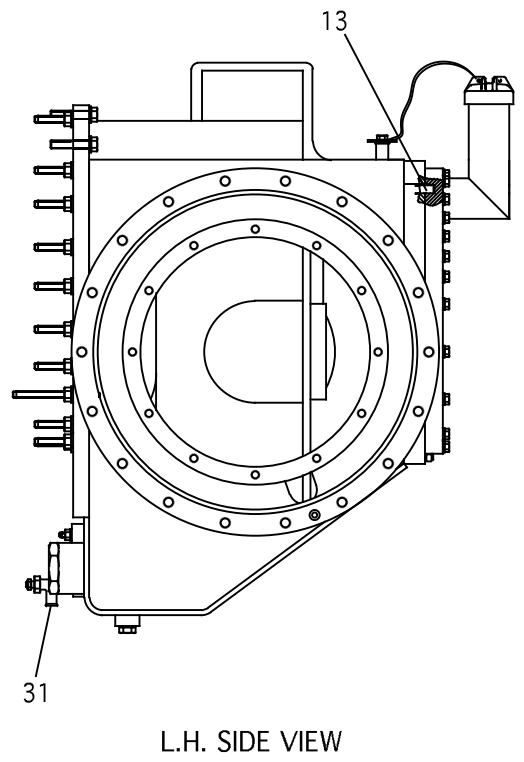
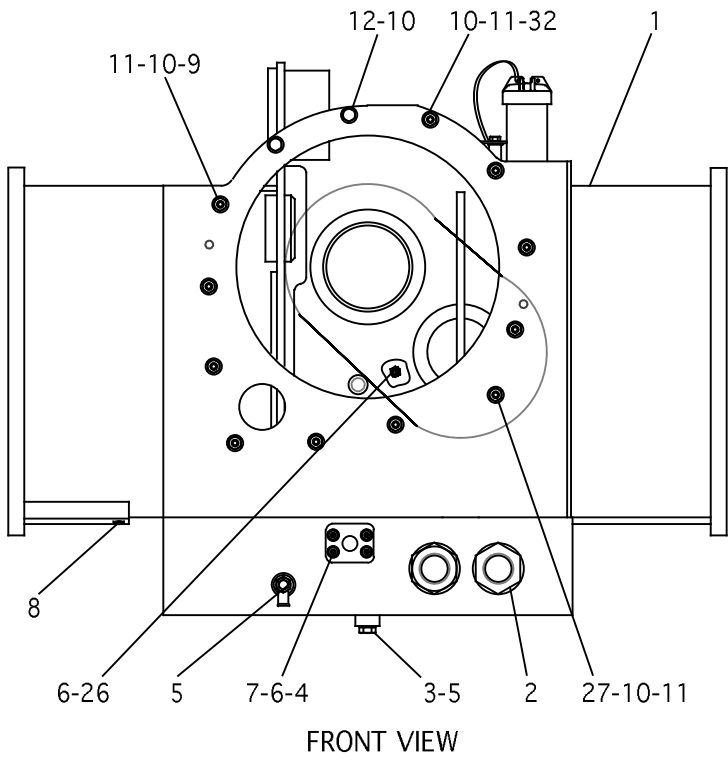
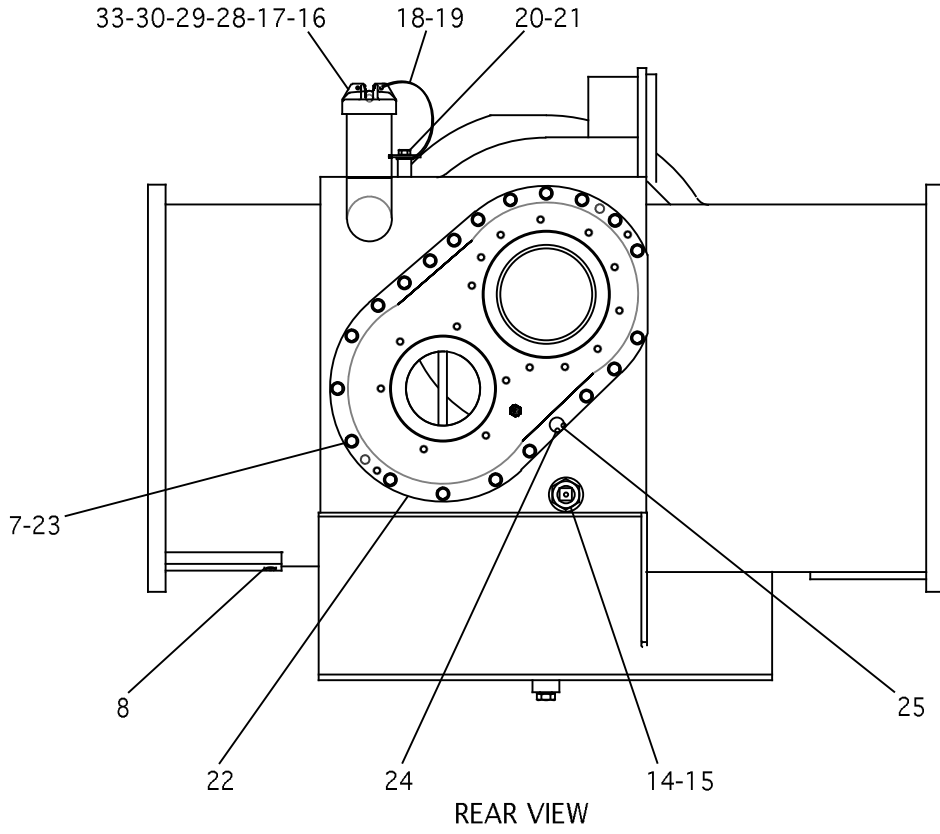
1448614 LINES GP-BRAKE PART 4 OF 4

Part of 1447167 Hydraulic Ar-Aux

NOTES

A large, empty rectangular box with a black border, intended for handwritten notes.

DIFFERENTIAL STEERING SYSTEM



1307416 CASE GP-STEERING
 Part of 1455248 Steering Gp-Differential

DIFFERENTIAL STEERING SYSTEM

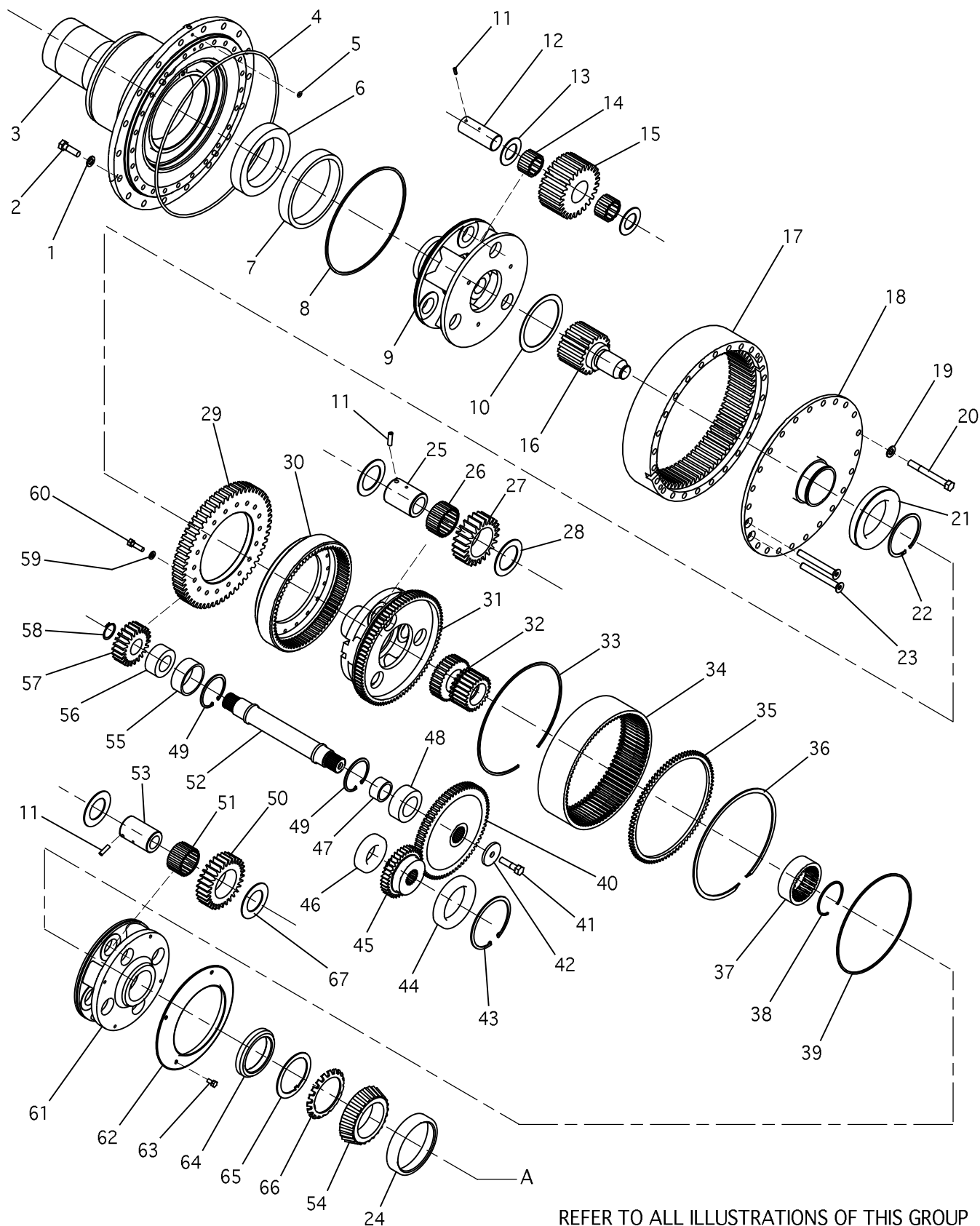
NOTE	REF NO	PART NUMBER	QTY	PART NAME	NOTE	REF NO	PART NUMBER	QTY	PART NAME
	1	1267090	1	CASE AS					
		7R7963	2	PLATE AS					
		8D3508	1	BOSS					
		1450012	1	TUBE AS					
	2	1G7663	2	STRAINER-SUCTION					
		0304606	1	SEAL-O-RING (ORB-OD 65.4)					
	3	3J8031	1	PLUG-MAGNETIC					
	4	2M4779	4	STUD-TAPERLOCK					
	5	3K0360	2	SEAL-O-RING (ORB-OD 20.8)					
	6	6V8801	5	NUT					
	7	8T4896	24	WASHER-HARD					
	8	0T0200	2	PLUG-CUP					
	9	2D8426	9	STUD-TAPERLOCK					
	10	8T4223	14	WASHER-HARD					
	11	6V8188	12	NUT-FULL					
	12	7X0325	2	BOLT (1/2-13)					
	13	5M7937	2	DOWEL					
	14	9Y9236	1	BODY AS-GAGE					
	15	7M8485	1	SEAL-O-RING (ORB-OD 35.7)					
	16	1307618	1	CAP-FILLER					
A		5K1568	1	CAP-FILLER					
	17	9J3047	1	STRAINER					
	18	5R9956	1	CABLE AS					
	19	5P7958	1	SLEEVE-CABLE SPLICE					
	20	5M3062	1	BOLT (3/16-16)					
	21	8T4226	1	WASHER-PLATED					
	22	1267088	1	PLATE					
	23	5S7383	20	BOLT (3/8-16)					
	24	2D6642	2	BALL					
	25	3H3385	1	SEAL-O-RING (OD 20.9)					
	26	1306671	1	STUD-LUBE					
	27	5P7071	1	STUD-TAPERLOCK					
	28	6H5139	1	PLATE-PRESSURE					
	29	9H6454	1	GASKET					
	30	4B9782	1	BALL					
	31	7E4761	1	VALVE-SHUTOFF					
	32	7X0328	1	BOLT					
	33	3G0361	1	GASKET					

A - NOT PART OF THIS GROUP

1307416 CASE GP-STEERING

Part of 1455248 Steering Gp-Differential

DIFFERENTIAL STEERING SYSTEM



REFER TO ALL ILLUSTRATIONS OF THIS GROUP

1455883 DRIVE GP-OUTPUT PART 1 OF 3
 Part of 1455248 Steering Gp-Differential

DIFFERENTIAL STEERING SYSTEM

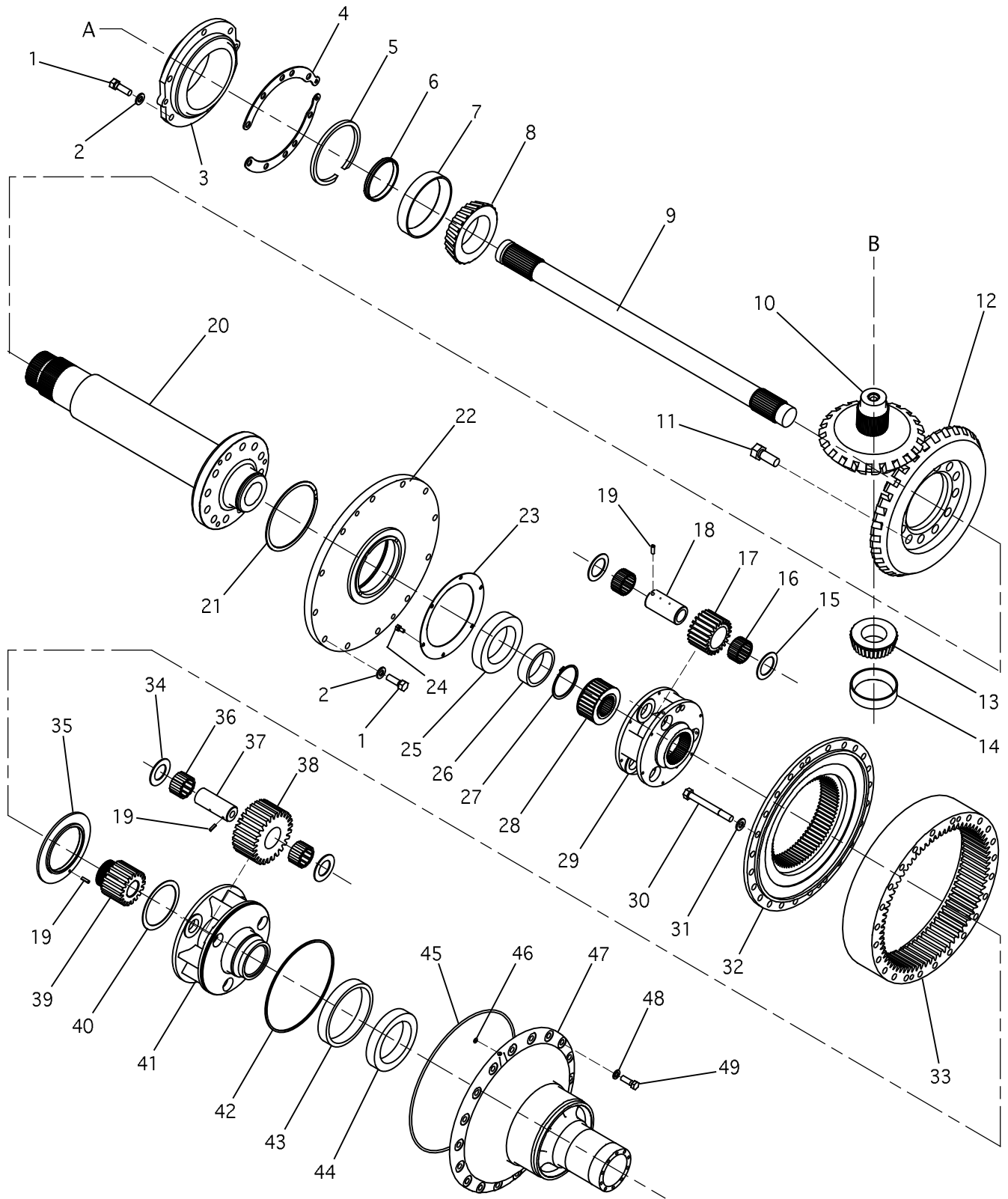
NOTE	REF NO	PART NUMBER	QTY	PART NAME	NOTE	REF NO	PART NUMBER	QTY	PART NAME
M	1	9X8257	18	WASHER		49	2W1145	2	RING-RETAINING
	2	8T4193	18	BOLT (M16)		50	3T4824	4	GEAR-PLANETARY
	3	1455253	1	SPINDLE AS		51	5M7925	4	BEARING-ROLLER
		0L1026	2	PLUG-CUP		52	1260555	1	SHAFT AS
		4B9782	2	BALL			1245987	1	SHAFT-STEERING DRIVE
		5M7937	2	DOWEL			1268177	1	PLUG
	4	2D8363	1	SEAL-O-RING (OD 508.1)		53	6T0064	4	SHAFT-PLANETARY
	5	2J6274	1	SEAL-O-RING (OD 124.1)		54	1P3935	1	CONE-ROLLER BEARING
	6	9H9849	1	BEARING		55	1271487	1	RACE-ROLLER BEARING
	7	9H9850	1	RACE-SPLIT ROLLER BEARING		56	1271491	1	BEARING-RACE
	8	7M1177	1	RING-METAL SEAL		57	1244215	1	GEAR
		6P8267	1	RING-METAL SEAL (.015)		58	7N8421	1	RING-RETAINING
		9P2944	1	RING-METAL SEAL (.030)		59	5M2894	18	WASHER-HARD
	9	1248694	1	CARRIER-PLANETARY		60	0S1588	18	BOLT (3/8)
	10	6Y5739	1	DISC-THRUST		61	3T5021	1	CARRIER-PLANETARY
	11	3S2708	10	PIN-SPRING		62	9W1571	1	SLINGER
	12	1268179	3	SHAFT-PLANETARY		63	0302135	5	BOLT-SELF LOCK (5/16)
	13	8X8377	6	WASHER		64	1L6957	1	LOCKNUT-BEARING
	14	1P3958	6	ROLLER AS-SPLIT		65	9P7072	1	WASHER-TONGUE
	15	8D2459	3	GEAR-PLANETARY		66	6V2404	1	WASHER-BEARING LOCK
	16	1249677	1	GEAR AS		67	8E8310	8	DISC-THRUST
		6T1947	1	BUTTON					
		1244218	1	GEAR					
	17	1455885	1	GEAR-RING					
	18	1456558	1	CAGE AS					
		2D6642	1	BALL					
	19	5P8247	23	WASHER-HARD					
	20	1D4593	23	BOLT (5/8)					
	21	1T0678	1	BEARING-BALL					
	22	5P1981	1	RING-RETAINING					
	23	1517428	2	SCREW-FLAT HEAD					
	24	1P3934	1	CUP-ROLLER BEARING					
	25	3T4568	3	SHAFT-PLANETARY					
	26	5M0578	3	BEARING					
	27	3T4823	3	GEAR-PLANETARY					
	28	8E8307	6	DISC-THRUST					
	29	1244216	1	GEAR					
	30	1244219	1	GEAR-STEERING RING					
	31	3T5200	1	CARRIER-PLANETARY					
	32	3T4715	1	GEAR-SUN					
	33	6I8724	1	RING-LOCK					
	34	9W6102	1	GEAR-RING					
	35	9W6103	1	RING-THRUST					
	36	7G1596	1	RING-RETAINING					
	37	9W3937	1	SPACER					
	38	9W3939	1	RING-LOCK					
	39	3T6963	1	SEAL-RING					
	40	1244214	1	GEAR					
41	8T4835	1	BOLT (1/2)						
42	7G8839	1	SPACER						
43	2L0043	1	RING-RETAINING						
44	1067799	1	BEARING-BALL						
45	1244212	1	GEAR						
46	1T0043	1	BEARING-BALL						
47	1271489	1	RACE-SPLIT ROLLER BEARING						
48	5B5460	1	RACE & ROLLER AS						

M - METRIC PART

1455883 DRIVE GP-OUTPUT PART 1 OF 3

Part of 1455248 Steering Gp-Differential

DIFFERENTIAL STEERING SYSTEM



REFER TO ALL ILLUSTRATIONS OF THIS GROUP

1455883 DRIVE GP-OUTPUT PART 2 OF 3
 Part of 1455248 Steering Gp-Differential

DIFFERENTIAL STEERING SYSTEM

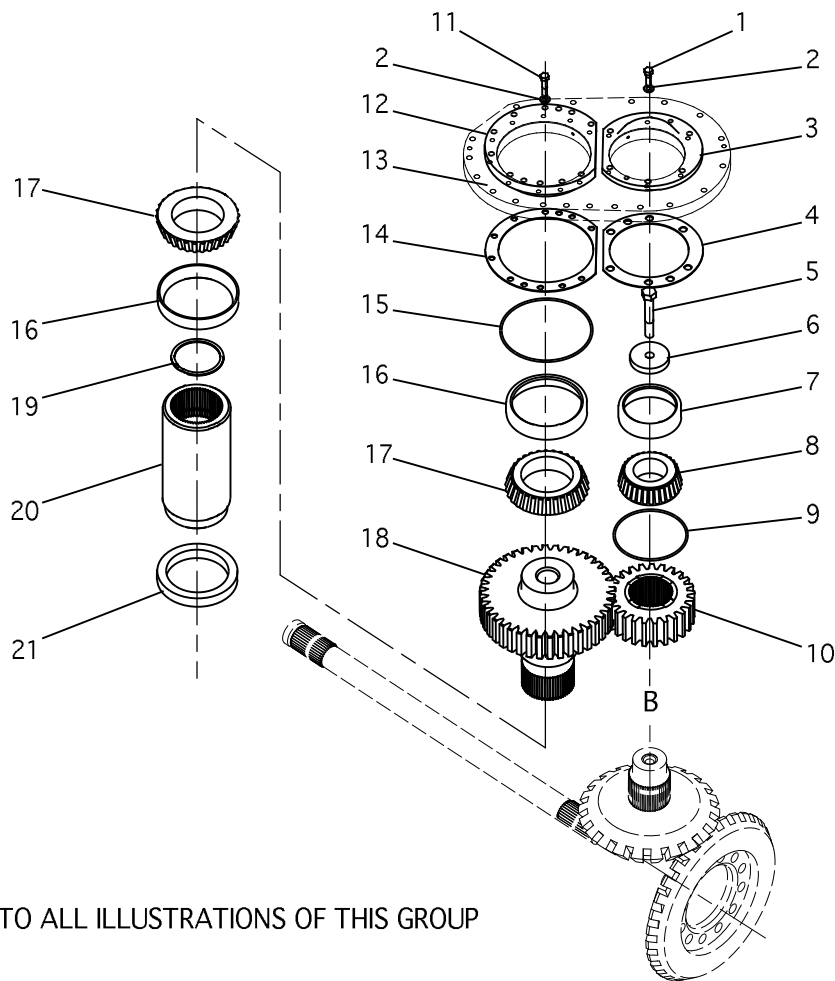
NOTE	REF NO	PART NUMBER	QTY	PART NAME	NOTE	REF NO	PART NUMBER	QTY	PART NAME
	1	0S1585	18	BOLT (1/2)					
	2	5P8245	18	WASHER-HARD					
	3	9W1570	1	CAGE AS-BEARING					
	4	9P1478	2	SHIM PACK					
	5	6T0364	1	RING-RETAINING					
	6	2P8386	1	SPACER-CONE					
	7	1P3934	1	CUP-ROLLER BEARING					
	8	1P3935	1	CONE-ROLLER BEARING					
	9	1245986	1	SHAFT					
	10	7T8141	1	PINION-BEVEL					
	11	1A0075	12	BOLT (3/4)					
	12	7T8142	1	GEAR-BEVEL					
	13	6S2829	1	CONE-ROLLER BEARING					
	14	6S2828	1	CUP-ROLLER BEARING					
	15	8E8307	6	DISC-THRUST					
	16	5M0578	6	BEARING					
	17	9W7481	3	GEAR-PLANETARY					
	18	7T8136	3	SHAFT-PLANETARY					
	19	3S2708	7	PIN-SPRING					
	20	9W9982	1	SHAFT-BEVEL GEAR					
	21	7M9941	1	RING-RETAINING					
	22	3T5807	1	SLINGER					
	23	1268176	1	CAGE AS					
		2D6642	1	BALL					
		1245979	1	CAGE-BEARING					
	24	0302135	5	BOLT-SELF LOCK (5/16)					
	25	4H0019	1	RACE & ROLLER AS					
	26	5P7592	1	RACE-ROLLER BEARING					
	27	6J3473	1	RING-SNAP					
	28	9W3940	1	GEAR AS					
	29	1245988	1	CARRIER-PLANETARY					
	30	1D4593	23	BOLT (5/8)					
	31	5P8247	23	WASHER-HARD					
	32	1455886	1	GEAR					
	33	1455885	1	GEAR-RING					
	34	8X8377	6	WASHER					
	35	1269404	1	RETAINER					
	36	1P3958	6	ROLLER AS-SPLIT					
	37	1268179	3	SHAFT-PLANETARY					
	38	8D2459	3	GEAR-PLANETARY					
	39	1244221	1	GEAR-SUN					
	40	6Y5739	1	DISC-THRUST					
	41	1248694	1	CARRIER-PLANETARY					
	42	7M1177	1	RING-METAL SEAL					
		6P8267	1	RING-METAL SEAL (.015)					
		9P2944	1	RING-METAL SEAL (.030)					
	43	9H9850	1	RACE-SPLIT ROLLER BEARING					
	44	9H9849	1	BEARING					
	45	2D8363	1	SEAL-O-RING (OD 508.1)					
	46	2J6274	1	SEAL-O-RING (OD 124.1)					
	47	1455253	1	SPINDLE AS					
		0L1026	2	PLUG-CUP					
		4B9782	2	BALL					
		5M7937	2	DOWEL					
	48	9X8257	18	WASHER					
M	49	8T4193	18	BOLT (M16)					

M - METRIC PART

1455883 DRIVE GP-OUTPUT PART 2 OF 3

Part of 1455248 Steering Gp-Differential

DIFFERENTIAL STEERING SYSTEM



REFER TO ALL ILLUSTRATIONS OF THIS GROUP

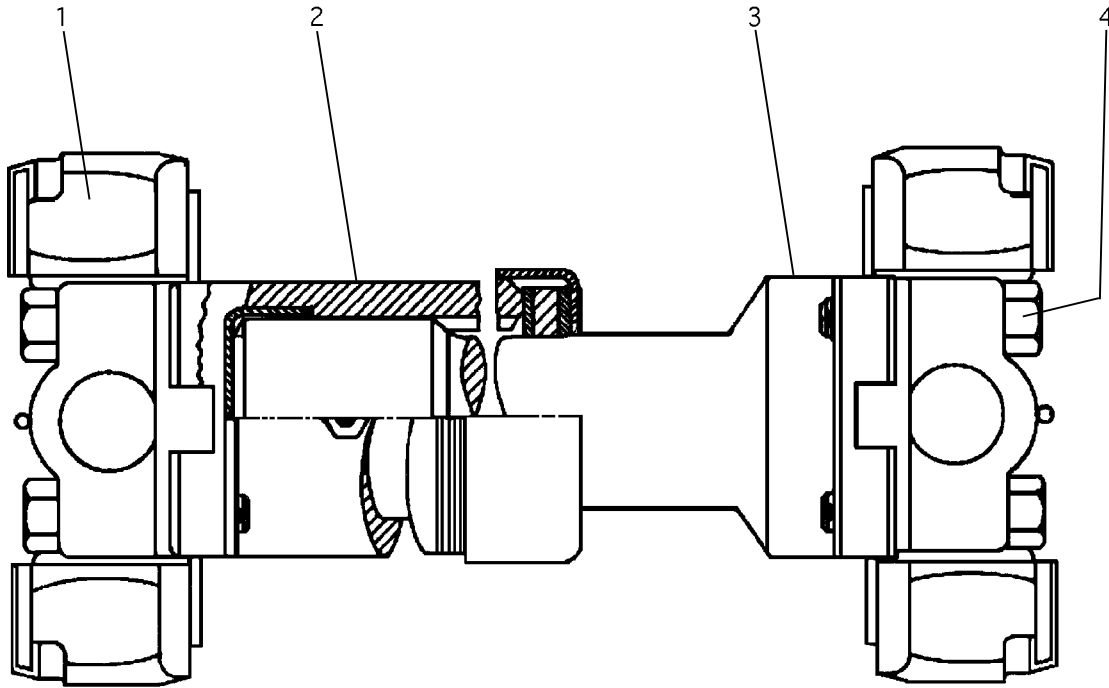
NOTE	REF NO	PART NUMBER	QTY	PART NAME	NOTE	REF NO	PART NUMBER	QTY	PART NAME
	1	1A2029	6	BOLT (3/8)		18	1244222	1	GEAR AS
	2	5M2894	16	WASHER-HARD		19	1M8651	1	RING-RETAINING
	3	1245990	1	CAGE AS		20	1245985	1	SHAFT-OUTPUT
		3E4354	1	BALL		21	9S5279	1	BEARING-INNER
		1245980	1	CAGE-BEARING					
	4	1341343	1	SHIM-PACK					
	5	0S1569	1	BOLT (5/8)					
	6	3T6742	1	RETAINER					
	7	6S2828	1	CUP-ROLLER BEARING					
	8	6S2829	1	CONE-ROLLER BEARING					
	9	2H3935	1	SEAL-O-RING (OD 143.2)					
	10	1244225	1	GEAR-TRANSFER					
	11	2A4639	10	BOLT (3/8)					
	12	1245989	1	CAGE AS					
		3E4354	1	BALL					
		1245981	1	CAGE-BEARING					
B	13	6V6640	1	SEALANT					
	14	1268178	1	SHIM PACK					
	15	9F1399	1	SEAL-O-RING (OD 178.1)					
	16	8D1817	2	CUP-ROLLER BEARING					
	17	8D1819	2	CONE-BEARING					

B - USE AS REQUIRED

1455883 DRIVE GP-OUTPUT PART 3 OF 3

Part of 1455248 Steering Gp-Differential

DIFFERENTIAL STEERING SYSTEM

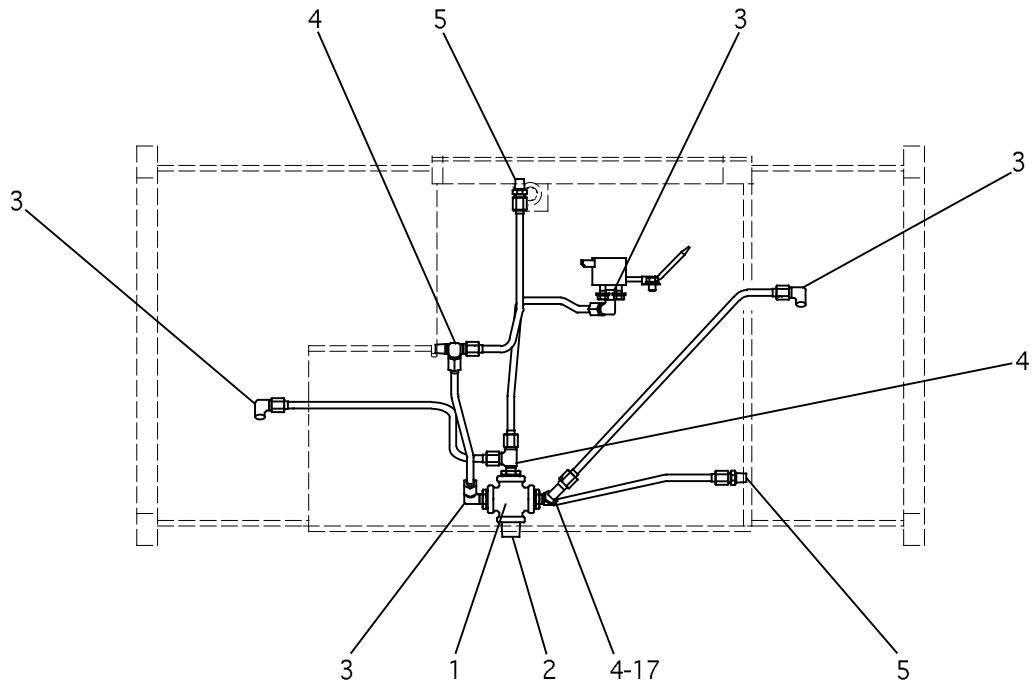


NOTE	REF NO	PART NUMBER	QTY	PART NAME	NOTE	REF NO	PART NUMBER	QTY	PART NAME
	1	5T1362	2	BEARING-SPIDER					
	2	6G4357	1	YOKE AS-SLIP					
		5H3593	1	RETAINER-FELT					
		6G6623	1	SEAL					
		9K2721	2	WASHER					
		0271287	1	FITTING (GREASE)					
	3	6G4358	1	YOKE					
	4	0L0478	8	BOLT					

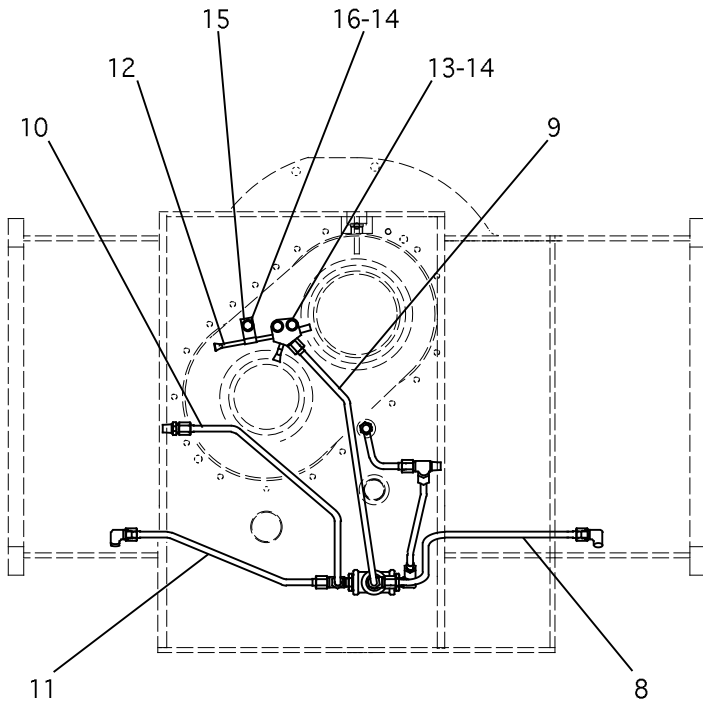
1125495 JOINT GP-UNIVERSAL
Part of 1266623 Pump Gp & Mounting

00

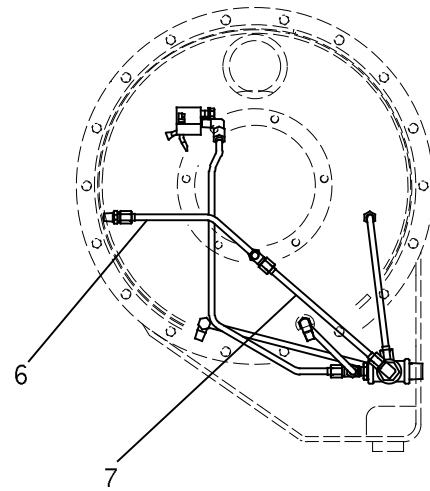
DIFFERENTIAL STEERING SYSTEM



TOP VIEW



REAR VIEW



R.H. VIEW SHOWN

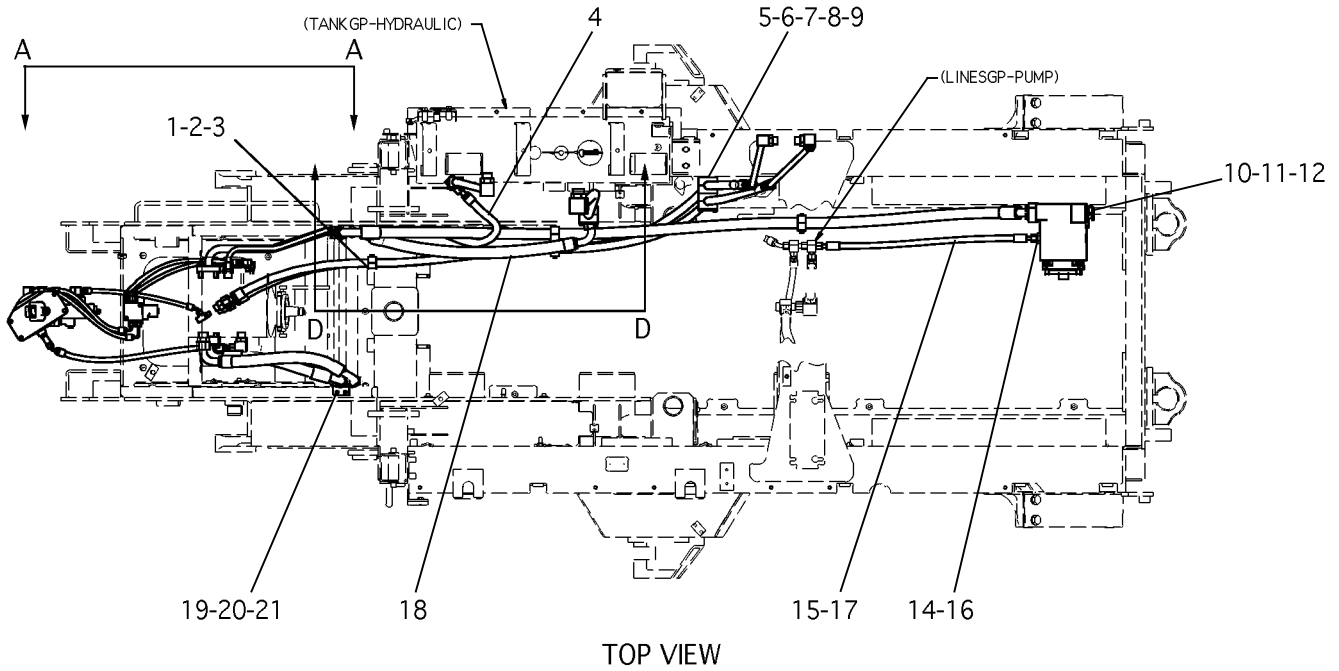
1304797 LINES GP-DIFF STEER LUBE
 Part of 1455248 Steering Gp-Differential

DIFFERENTIAL STEERING SYSTEM

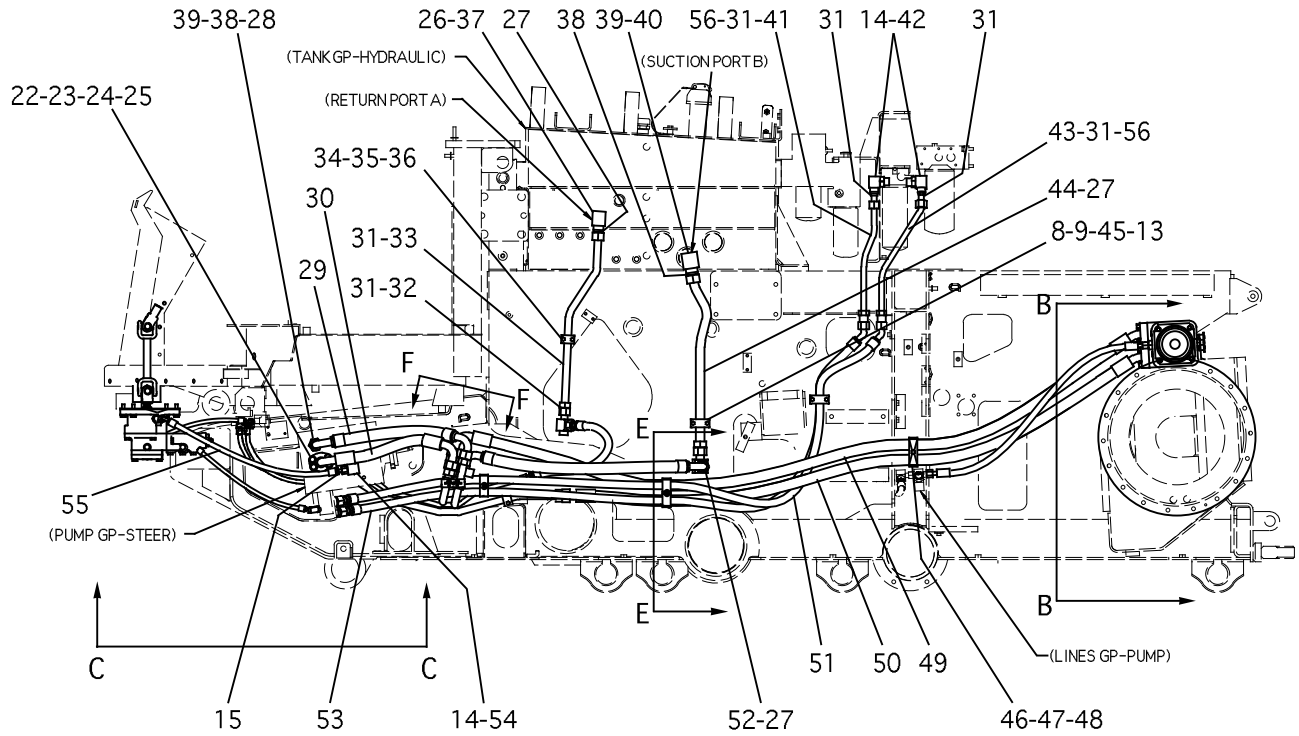
NOTE	REF NO	PART NUMBER	QTY	PART NAME	NOTE	REF NO	PART NUMBER	QTY	PART NAME
	1	8L7971	1	CROSS-INTERNAL					
	2	3B7745	1	NIPPLE-CLOSE					
	3	0321268	4	ELBOW-FLARED 90° (M-JIC,M-NPTF)					
	4	6S2289	3	TEE-FLARED (M,M-JIC,M-NPTF)					
	5	0321267	2	CONN-FLARED (M-JIC,M-NPTF)					
	6	1304790	1	TUBE AS					
		3R4437	2	NUT					
		3R4463	2	SLEEVE					
	7	1304791	1	TUBE AS-LUBE					
		3R4437	2	NUT					
		3R4463	2	SLEEVE					
	8	1304792	1	TUBE AS					
		3R4437	2	NUT					
		3R4463	2	SLEEVE					
	9	1304793	1	TUBE AS					
		3R4437	2	NUT					
		3R4463	2	SLEEVE					
	10	1561568	1	TUBE AS					
		3R4437	2	NUT					
		3R4463	2	SLEEVE					
	11	1561567	1	TUBE AS					
		3R4437	2	NUT					
		3R4463	2	SLEEVE					
	12	1304796	1	BLOCK AS					
		1305645	1	TUBE (34.4 MM LG)					
		1305646	1	TUBE (100.2 MM LG)					
		1305647	1	BLOCK					
		1305648	1	BLOCK					
	13	0S1588	2	BOLT (3/8-16)					
	14	5M2894	3	WASHER-HARD					
	15	8M2772	1	CLIP					
	16	4F4879	1	BOLT (3/8-16)					
	17	7J8611	1	ELBOW 90° (M,F-NPTF)					

1304797 LINES GP-DIFF STEER LUBE
 Part of 1455248 Steering Gp-Differential

DIFFERENTIAL STEERING SYSTEM



TOP VIEW



L.H. SIDE VIEW

REFER TO ALL ILLUSTRATIONS OF THIS GROUP

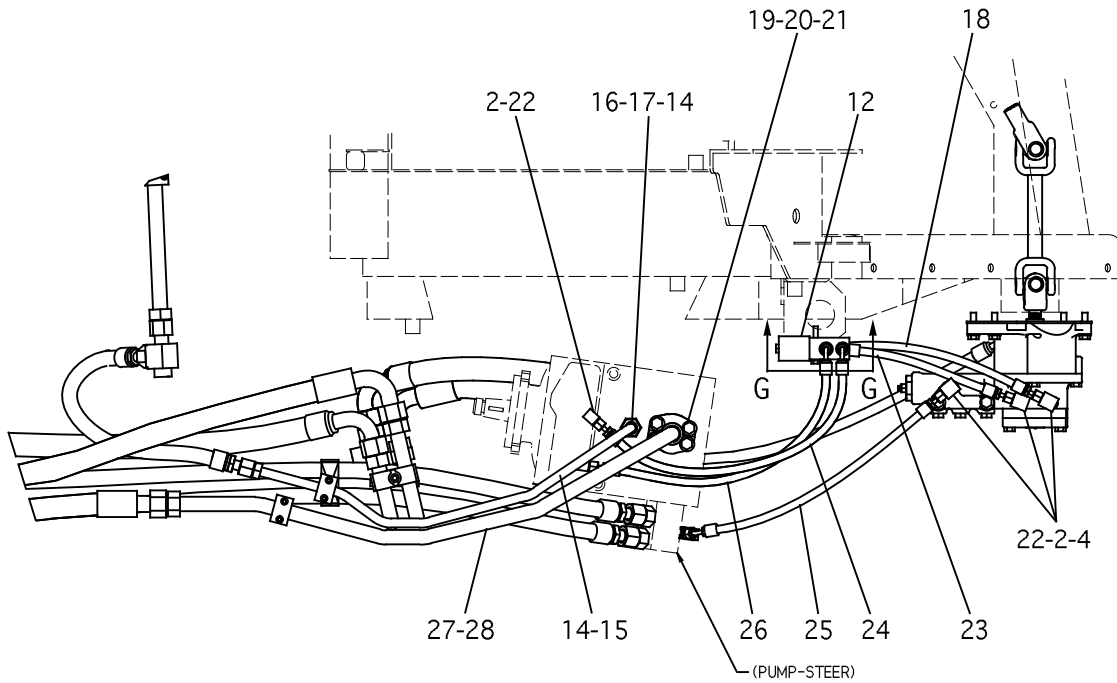
1448605 LINES GP-STEERING PART 1 OF 3
Part of 1447168 Hydraulic Ar

DIFFERENTIAL STEERING SYSTEM

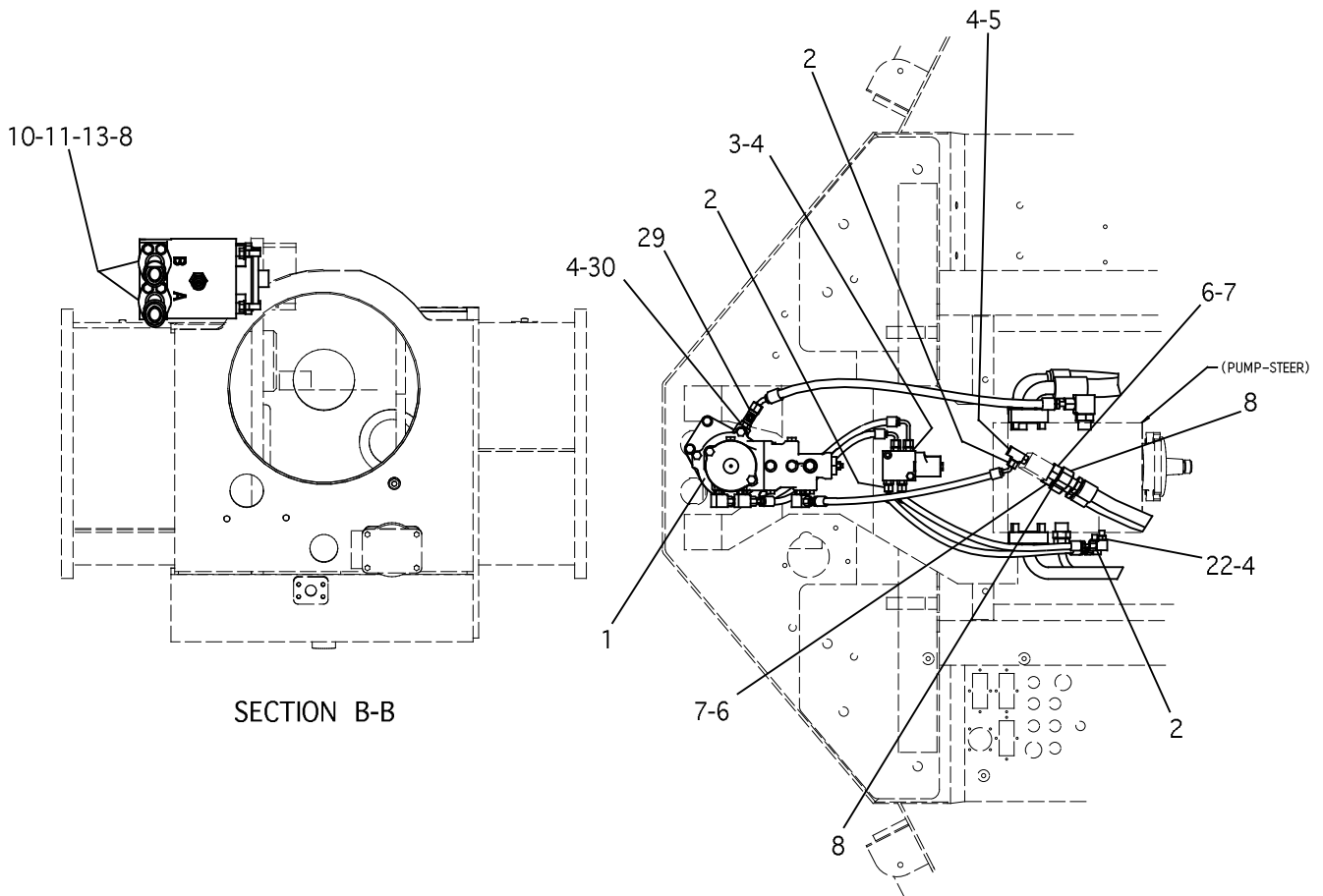
NOTE	REF NO	PART NUMBER	QTY	PART NAME	NOTE	REF NO	PART NUMBER	QTY	PART NAME
	1	8T8911	1	BOLT (5/16)			6V8565	1	SLEEVE-ORFS
	2	6R3320	1	COVER		45	7R7940	2	CLAMP
	3	6R3340	2	CLAMP		46	8V0408	2	CLAMP
	4	1549795	1	HOSE AS		47	7V6234	1	PLATE
	5	7R7939	4	CLAMP-PIPE		48	5P2955	1	BOLT (5/16)
	6	7R7960	2	BOLT-STACKING (1/4-20 X 63 MM)		49	1549800	1	HOSE AS
	7	7R7955	1	PLATE (INNER-LOCKING)			3E6801	1	COUPLING 45° (CAT FLANGE)
	8	7R7951	2	PLATE (OUTER)	D		5P0201	2.6	HOSE (BULK)
	9	7X0264	4	BOLT (1/4)			7X4818	1	COUPLING-HOSE 90° (ORFS)
	10	6V0852	2	CAP-DUST		50	1549799	1	HOSE AS
	11	6V3965	2	NIPPLE AS			3E6801	1	COUPLING 45° (CAT FLANGE)
	12	3J1907	2	SEAL-O-RING (ORB-OD 15.9)	D		5P0201	2.2	HOSE (BULK)
	13	0868656	2	NUT-RAIL CASTED			7X1437	1	COUPLING 60° (CAT FLANGE)
	14	3D2824	4	SEAL-O-RING (ORB-OD 29.5)		51	1549797	1	HOSE AS
	15	6V8398	1	SEAL-O-RING (ORFS-OD 16)		52	6V9854	1	ELBOW 90° (M,F-ORFS)
	16	6V8633	1	CONNECTOR (M-ORFS,M-STOR)		53	1549796	1	HOSE AS
	17	1508983	1	HOSE AS		54	8T5429	1	ELBOW 90° (M-ORFS,M-STOR)
		6V9965	2	COUPLING-HOSE (ORFS)		55	1549794	1	HOSE AS
	18	1549802	1	HOSE AS	B	56	0677832	10	WASHER-BEARING
M	19	9X8256	2	WASHER					
	20	5C9553	2	BOLT (M6)					
	21	1493233	1	BRACKET AS					
		1G8560	1	PLATE AS					
	22	1P3703	1	SEAL-RECTANGULAR					
	23	8T4223	4	WASHER-HARD					
M	24	6V0400	2	FLANGE-HALF					
	25	8T4184	4	BOLT (M8)					
	26	7M8485	1	SEAL-O-RING (ORB-OD 35.7)					
	27	5K9090	3	SEAL-O-RING (ORFS-OD 28)					
	28	6V9875	1	CONNECTOR (M-ORFS,M-STOR)					
	29	1549801	1	HOSE AS					
	30	1549798	1	HOSE AS					
E		3E6804	1	COUPLING 90° (CAT FLANGE)					
		5P0201	39	HOSE (BULK)					
		7X4818	1	COUPLING-HOSE 90° (ORFS)					
	31	6V9746	6	SEAL-O-RING (ORFS-OD 23.4)					
	32	6V9839	1	TEE (M-ORFS,M-STOR,M-ORFS)					
	33	1493225	1	TUBE AS					
		6V8557	1	NUT-ORFS					
		6V8564	1	SLEEVE-ORFS					
	34	7V6089	2	CLAMP					
	35	4M5282	2	BOLT (1/4)					
	36	7V5628	1	PLATE					
	37	6V9008	1	ELBOW 90° (M-ORFS,M-STOR)					
	38	6V8400	2	SEAL-O-RING (ORFS-OD 33.5)					
	39	2S4078	2	SEAL-O-RING (ORB-OD 43.5)					
	40	6V9009	1	ELBOW 90° (M-ORFS,M-STOR)					
	41	1493207	1	TUBE AS					
		6V8556	1	NUT-ORFS					
		6V8563	1	SLEEVE-ORFS					
	42	6V9007	2	ELBOW 90° (M-ORFS,M-STOR)					
	43	1493206	1	TUBE AS					
		6V8556	1	NUT-ORFS					
		6V8563	1	SLEEVE-ORFS					
	44	1671200	1	TUBE AS					
		6V8558	1	NUT-ORFS					

B - USE AS REQUIRED
D - ORDER BY THE METER
E - ORDER BY THE CENTIMETER
M - METRIC PART

DIFFERENTIAL STEERING SYSTEM



VIEW A-A



SECTION B-B

VIEW C-C

REFER TO ALL ILLUSTRATIONS OF THIS GROUP

1448605 LINES GP-STEERING PART 2 OF 3
 Part of 1447168 Hydraulic Ar

DIFFERENTIAL STEERING SYSTEM

NOTE	REF NO	PART NUMBER	QTY	PART NAME	NOTE	REF NO	PART NUMBER	QTY	PART NAME
Y	1	1470746	1	VALVE GP & MTG					
	2	4J5477	10	SEAL-O-RING (ORFS-OD 12.2)					
	3	6V8641	4	CONNECTOR (M-ORFS,M-STOR)					
	4	3J1907	11	SEAL-O-RING (ORB-OD 15.9)					
	5	8C3309	1	TEE (M-F,STOR,M-ORFS)					
	6	6V8640	2	CONNECTOR (M-ORFS,M-STOR)					
	7	2M9780	2	SEAL-O-RING (ORB-OD 24.2)					
	8	6V9746	2	SEAL-O-RING (ORFS-OD 23.4)					
	9	1P5766	4	FLANGE-HALF					
	10	8T5360	8	WASHER-HARD					
	11	1P3703	3	SEAL-RECTANGULAR					
Y	12	1312624	1	VALVE GP & MTG					
	13	8C6877	8	BOLT (7/16)					
	14	7J9108	2	SEAL-O-RING (ORFS-OD 19.2)					
	15	1503123	1	TUBE AS					
		6V8555	1	NUT-ORFS					
		6V8562	1	SLEEVE-ORFS					
		6V8720	1	CONNECTOR (M-STOR,TUBE)					
	16	6V8713	1	CONNECTOR (M-ORFS,M-STOR)					
	17	3D2824	1	SEAL-O-RING (ORB-OD 29.5)					
	18	1092975	1	HOSE AS					
M	19	8T4184	4	BOLT (M8)					
	20	1244288	2	FLANGE-SPLIT					
	21	8T4223	4	WASHER-HARD					
	22	6V8627	5	ELBOW 90° (M-ORFS,M-STOR)					
	23	1549791	1	HOSE AS					
	24	1549793	1	HOSE AS					
	25	1549792	1	HOSE AS					
	26	1G9973	1	HOSE AS					
	27	1688398	1	TUBE AS					
	28	5K9090	1	SEAL-O-RING (ORFS-OD 28)					
	29	6V8397	1	SEAL-O-RING (ORFS-OD 13.8)					
	30	6V8781	1	TEE (M-ORFS,M-STOR,M-ORFS)					

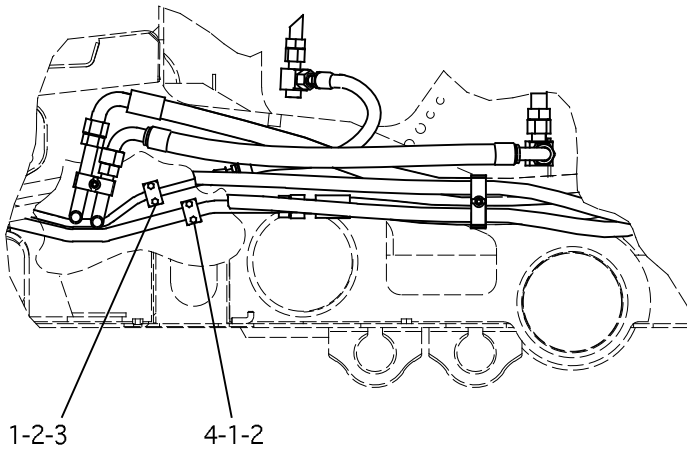
M - METRIC PART
 Y - SEPARATE ILLUSTRATION

1448605 LINES GP-STEERING PART 2 OF 3

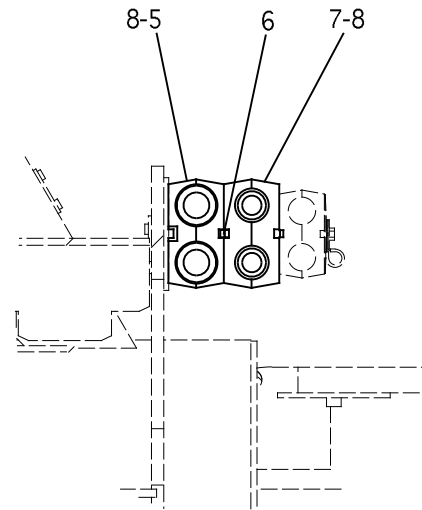
1470746-Page 298, 1312624-Page 297

Part of 1447168 Hydraulic Ar

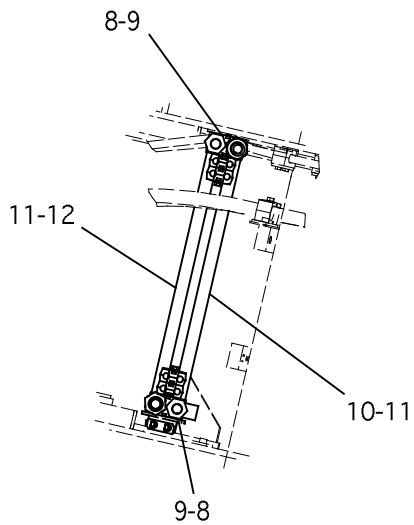
DIFFERENTIAL STEERING SYSTEM



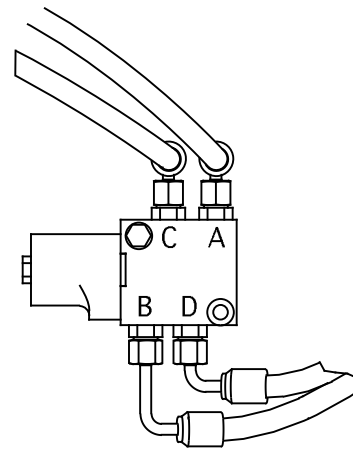
SECTION D-D



SECTION E-E



SECTION F-F



VIEW G-G

REFER TO ALL ILLUSTRATIONS OF THIS GROUP

1448605 LINES GP-STEERING PART 3 OF 3
 Part of 1447168 Hydraulic Ar

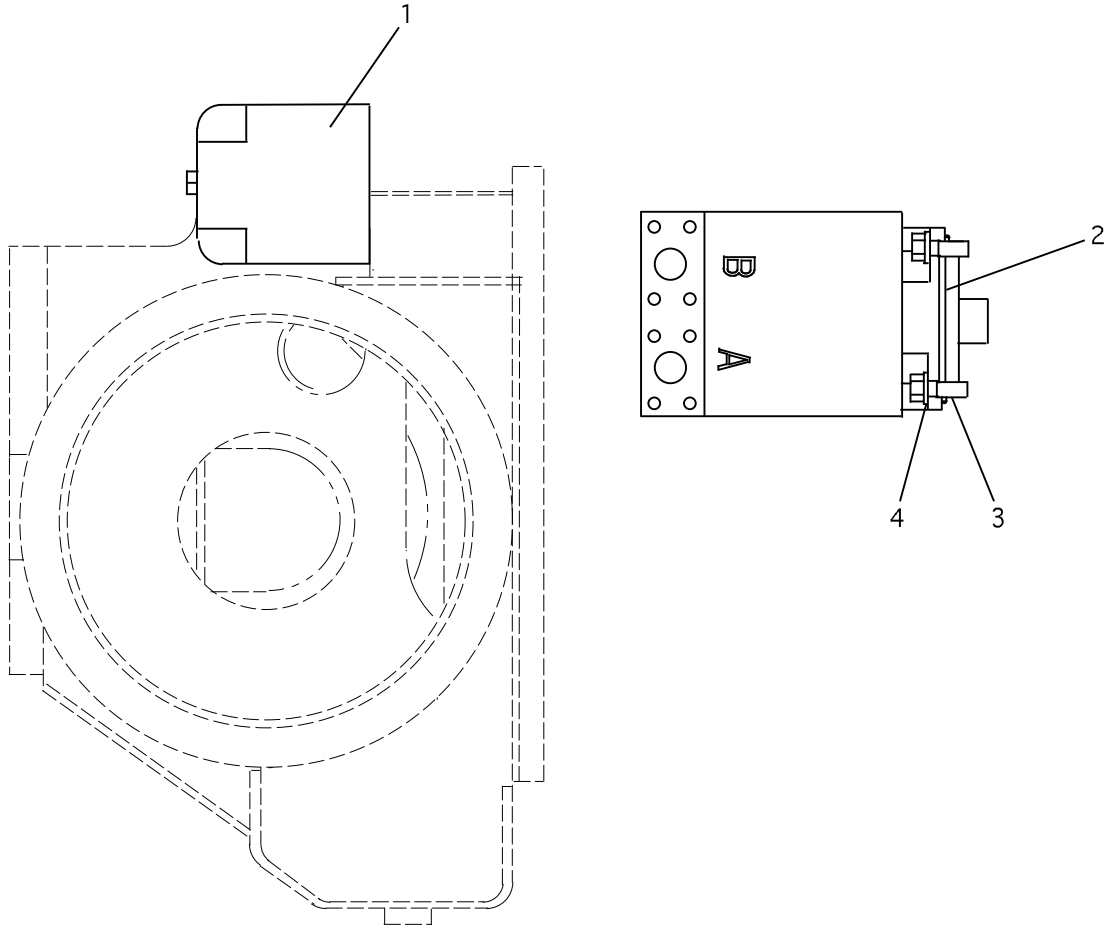
DIFFERENTIAL STEERING SYSTEM

NOTE	REF NO	PART NUMBER	QTY	PART NAME	NOTE	REF NO	PART NUMBER	QTY	PART NAME
	1	7V5628	2	PLATE					
	2	4M5282	2	BOLT (1/4)					
	3	1G9960	2	CLAMP					
	4	7V6089	2	CLAMP					
	5	8V0408	2	CLAMP					
	6	7R7964	2	PLATE-SAFETY					
	7	6R3340	2	CLAMP					
	8	6R3319	4	BOLT-STACKING					
	9	1017919	4	CLAMP-HALF					
	10	1503126	1	TUBE AS					
		6V8726	2	CONNECTOR (M-ORFS,TUBE)					
		7J5544	1	FITTING					
	11	5K9090	4	SEAL-O-RING (ORFS-OD 28)					
	12	1493226	1	TUBE AS					

1448605 LINES GP-STEERING PART 3 OF 3

Part of 1447168 Hydraulic Ar

DIFFERENTIAL STEERING SYSTEM



NOTE	REF NO	PART NUMBER	QTY	PART NAME	NOTE	REF NO	PART NUMBER	QTY	PART NAME
Y	1	1243605	1	MOTOR GP-PISTON					
	2	3F5792	1	SEAL-O-RING (OD 136.8)					
	3	8C4436	4	BOLT-HEX					
	4	8T4223	4	WASHER-HARD					

Y - SEPARATE ILLUSTRATION

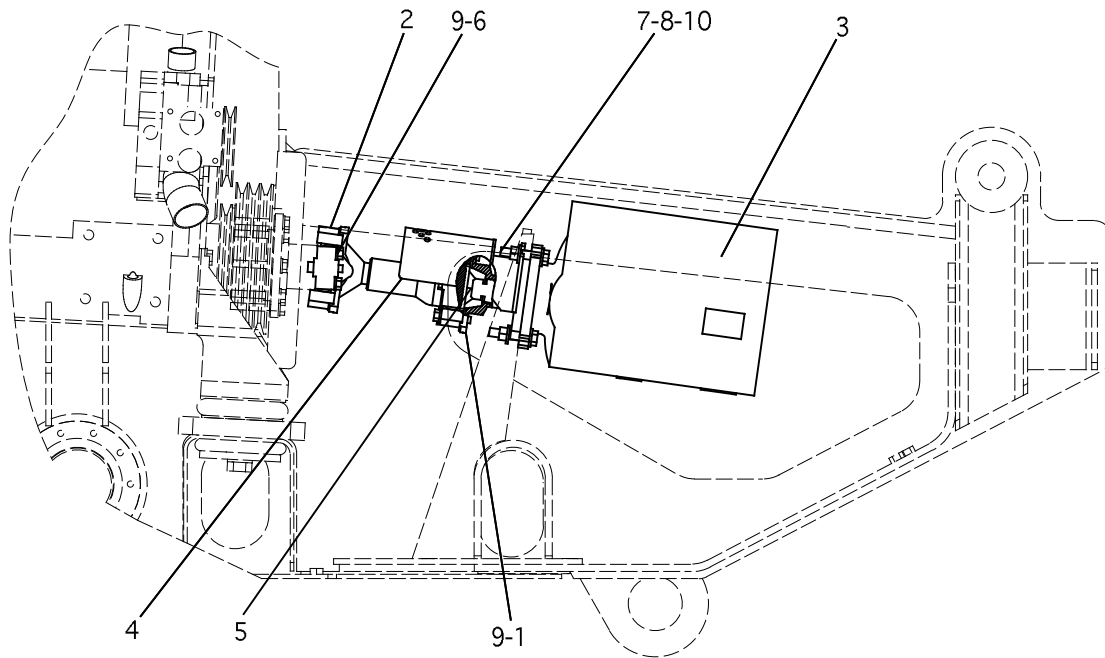
126624 MOTOR GP & MOUNTING (STEERING)

1243605-Page 361

Part of 1447168 Hydraulic Ar

01

DIFFERENTIAL STEERING SYSTEM



NOTE	REF NO	PART NUMBER	QTY	PART NAME	NOTE	REF NO	PART NUMBER	QTY	PART NAME
	1	0L0478	4	BOLT-HEX					
Y	2	1125495	1	JOINT GP-UNIVERSAL					
Y	3	1243868	1	PUMP GP-PISTON					
	4	1300466	1	GUARD AS					
		9R5271	1	BOSS					
	5	1872986	1	YOKE					
	6	5S7383	4	BOLT-HEX (3/8)					
M	7	8T4223	8	WASHER-HARD (M12)					
M	8	8T4244	4	NUT-FULL (M12)					
	9	8T4896	8	WASHER-HARD (3/8)					
M	10	8T4910	4	BOLT-HEX (M12)					

M - METRIC PART
Y - SEPARATE ILLUSTRATION

126623 PUMP GP & MOUNTING (STEERING)

1125495-Page 281, 1243868-Page 371

Part of 1447168 Hydraulic Ar

DIFFERENTIAL STEERING SYSTEM

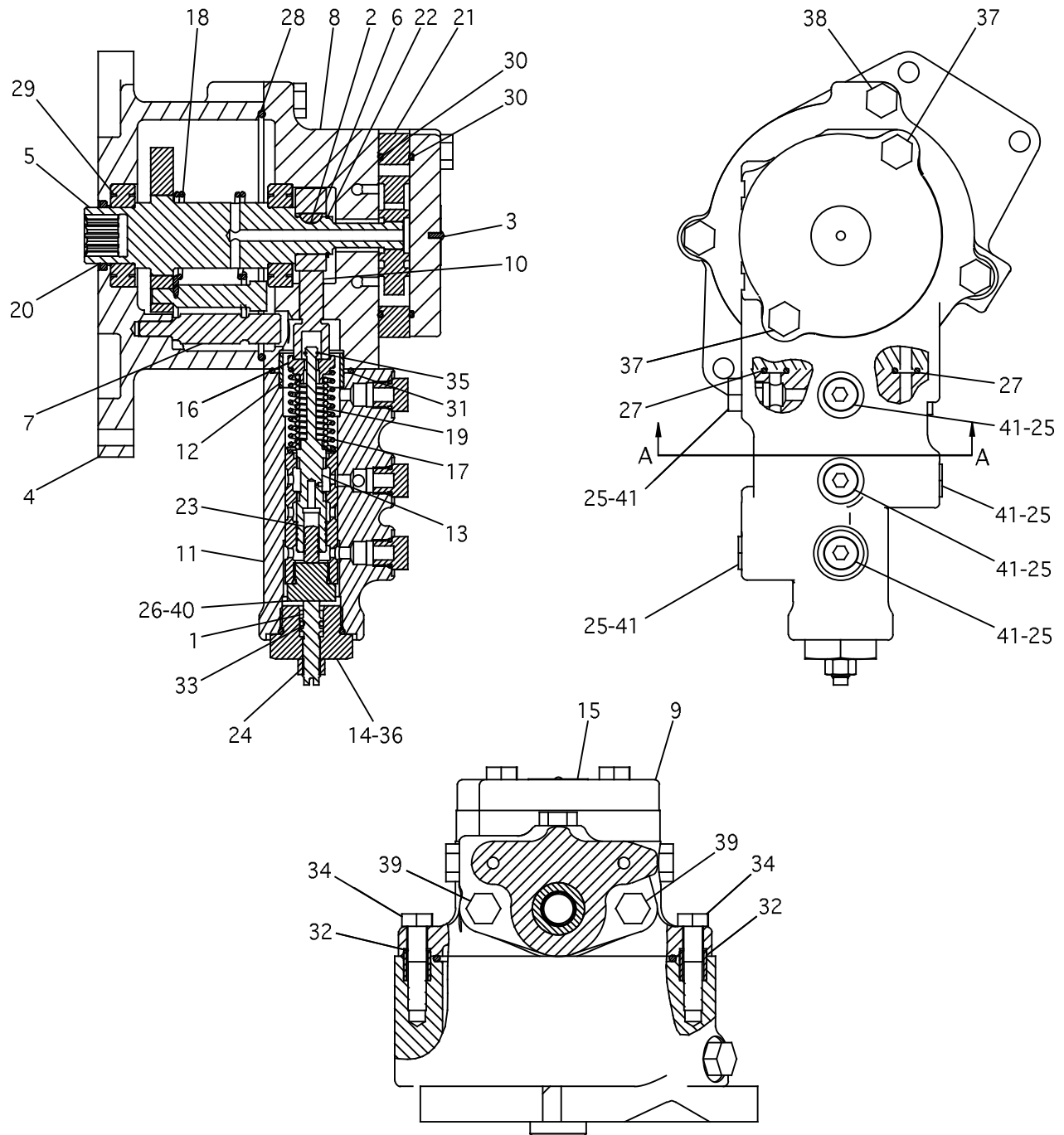
1	1307416	CASE GP-STEERING	274
1	1455883	DRIVE GP-OUTPUT	276
1	1304797	LINES GP-DIFF STEER LUBE	282

1455248 STEERING GP-DIFFERENTIAL
 Part of 1302595 Mounting Gp-Transaxle

NOTES

A large, empty rectangular box with a black border, intended for handwritten notes.

DIFFERENTIAL STEERING SYSTEM



SECTION A-A

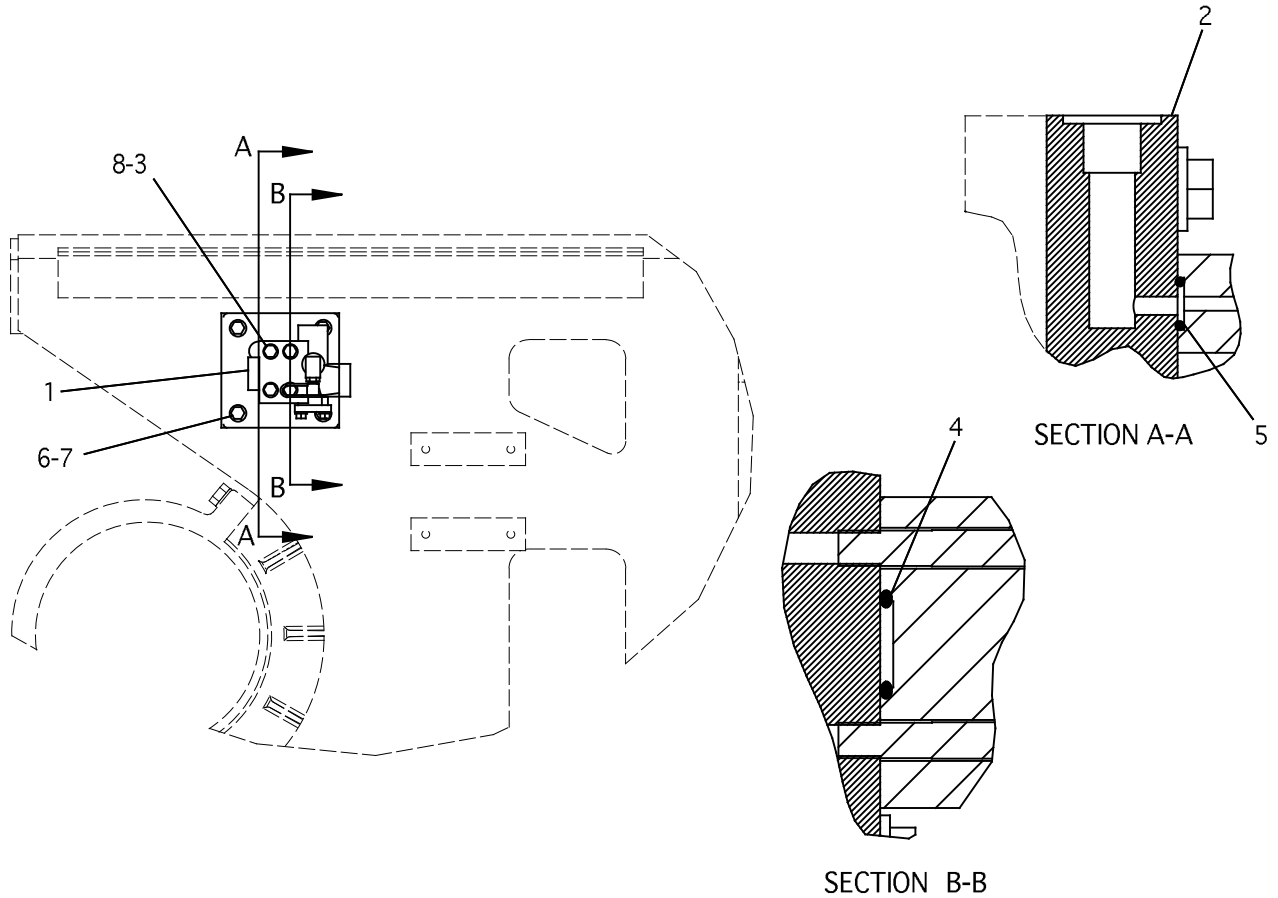
1357462 STEERING GP-HYDRAULIC
Part of 1470746 Valve Gp & Mounting

DIFFERENTIAL STEERING SYSTEM

NOTE	REF NO	PART NUMBER	QTY	PART NAME	NOTE	REF NO	PART NUMBER	QTY	PART NAME
	1	1357483	1	PLUNGER					
	2	1B8702	1	KEY-WOODRUFF					
	3	4B4158	1	SCREW-DRIVE					
	4	1626560	1	BODY					
	5	1357464	1	SHAFT AS					
		1357465	1	SHAFT AS					
	6	1357469	1	CAM					
	7	1357471	1	PIN					
	8	1357472	1	BODY					
	9	1357475	1	COVER					
	10	1357476	1	PLUNGER					
	11	1357477	1	BODY					
	12	1357478	1	SLEEVE					
	13	1357479	1	VALVE GP-BASIC					
	14	1357482	1	PLUG-STOP					
	15	1361956	1	PLATE					
	16	1377581	1	RETAINER					
	17	1438302	1	SPRING					
	18	1461740	1	SPRING					
	19	1510456	1	SPRING					
	20	1523700	1	SEAL-LIP TYPE					
	21	1586641	1	VALVE GP-BASIC					
		1357473	1	SPOOL					
		1586642	1	RING					
	22	0950919	1	RING-RETAINING					
	23	1210628	1	SLUG					
	24	3G3726	1	NUT					
	25	3J1907	6	SEAL-O-RING (ORB-OD 15.9)					
	26	3K0360	1	SEAL-O-RING (ORB-OD 20.8)					
	27	4J5309	2	SEAL-O-RING (OD 14.4)					
	28	5F3106	1	SEAL-O-RING (OD 133.7)					
	29	5L4141	2	BEARING-BALL					
	30	5P2569	2	SEAL-O-RING (OD 87.5)					
	31	5P8215	1	SEAL-O-RING (OD 44.6)					
	32	6E0198	2	PIN					
	33	6J3134	1	SEAL-O-RING (OD 12.8)					
	34	6V5843	2	BOLT					
	35	6V8116	1	RING-RETAINING					
	36	7M8485	1	SEAL-O-RING (ORB-OD 35.7)					
	37	8T4185	2	BOLT					
	38	8T4195	1	BOLT					
	39	8T4196	2	BOLT					
	40	9S4185	1	PLUG-O-RING					
	41	9S8004	6	PLUG-O-RING					

1357462 STEERING GP-HYDRAULIC
Part of 1470746 Valve Gp & Mounting

DIFFERENTIAL STEERING SYSTEM



NOTE	REF NO	PART NUMBER	QTY	PART NAME	NOTE	REF NO	PART NUMBER	QTY	PART NAME	
Y	1	1183531	1	VALVE GP-PRIORITY						
	2	1243628	1	MANIFOLD						
	3	7X0317	4	BOLT-HEX (7/16)						
	4	8M4986	1	SEAL-O-RING (61 FLANGE-OD 44.8)						
	5	8M5127	1	SEAL-O-RING (61 FLANGE-OD 16)						
	6	7X0599	4	WASHER-HARD						
	M	7	8T4910	4	BOLT-HEX (M12)					
		8	8T5360	4	WASHER-HARD					

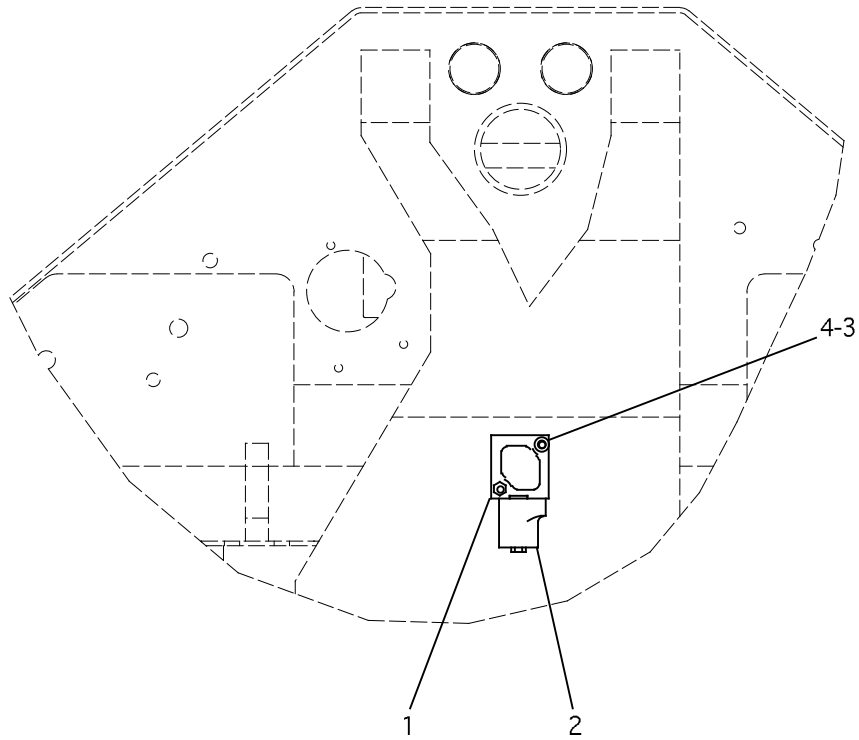
M - METRIC PART
Y - SEPARATE ILLUSTRATION

1266629 VALVE GP & MOUNTING-TRANS PRIORITY

1183531-Page 217

Part of 1448606 Lines Gp-Power Train Oil

DIFFERENTIAL STEERING SYSTEM



BOTTOM VIEW OF CAB

NOTE	REF NO	PART NUMBER	QTY	PART NAME	NOTE	REF NO	PART NUMBER	QTY	PART NAME
	1	8T8806	1	MANIFOLD					
Y	2	1528351	1	VALVE GP-SOLENOID					
	3	8T4224	2	WASHER-HARD					
M	4	8T6869	2	BOLT-HEX (M8)					

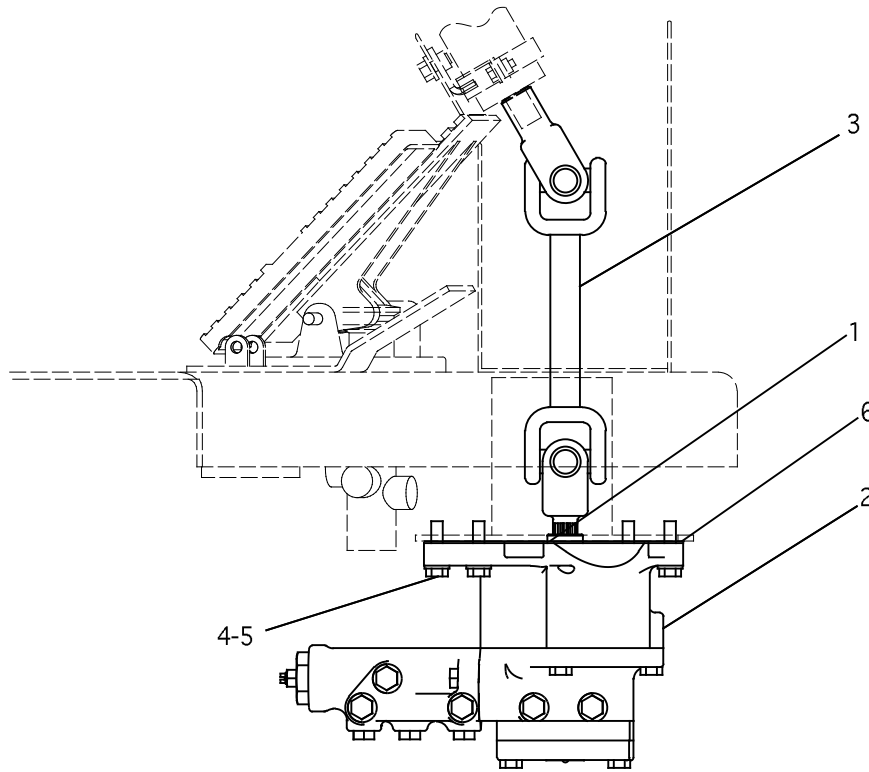
M - METRIC PART
Y - SEPARATE ILLUSTRATION

1312624 VALVE GP & MOUNTING-STEERING SOLENOID

1528351-Page 300

Part of 1448605 Lines Gp-Steering

DIFFERENTIAL STEERING SYSTEM



NOTE	REF NO	PART NUMBER	QTY	PART NAME	NOTE	REF NO	PART NUMBER	QTY	PART NAME
	1	8T0277	1	PIN-SPRING					
Y	2	1357462	1	STEERING GP-HYD					
	3	1453958	1	SHAFT AS					
	4	8T4121	4	WASHER-HARD					
M	5	8T4182	4	BOLT-HEX (M10)					
	6	1599380	1	PLATE					

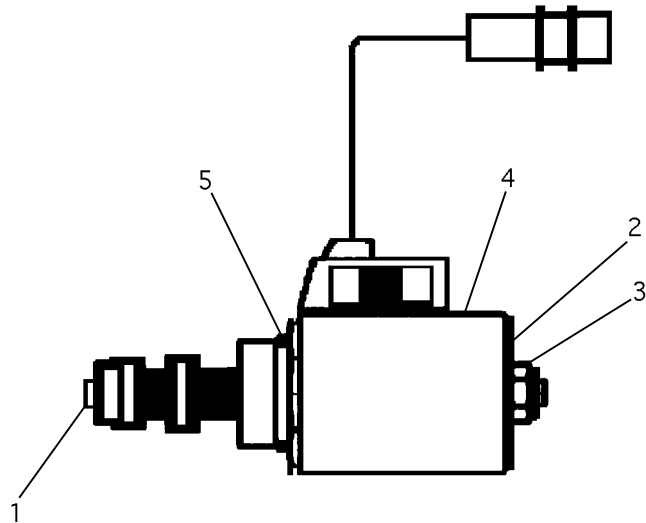
M - METRIC PART
Y - SEPARATE ILLUSTRATION

1470746 VALVE GP & MOUNTING

1357462-Page 295

Part of 1448605 Lines Gp-Steering

DIFFERENTIAL STEERING SYSTEM



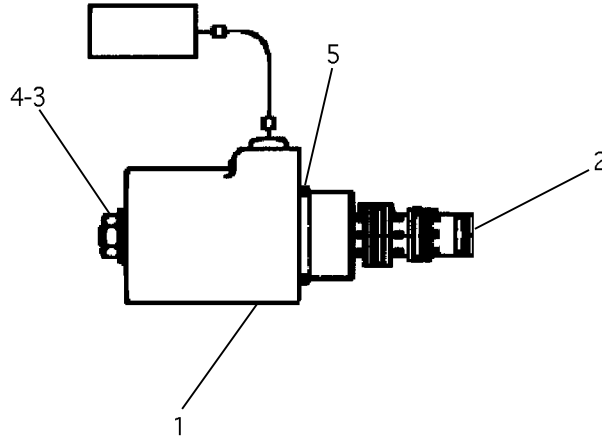
NOTE	REF NO	PART NUMBER	QTY	PART NAME	NOTE	REF NO	PART NUMBER	QTY	PART NAME
	1	1078611	1	CARTRIDGE AS					
	2	8C9987	1	WASHER					
	3	1110343	1	LOCKNUT (5/16)					
	4	1427324	1	COIL AS					
		1S9593	2	STRAP-CABLE					
		7N7779	1	SOCKET-CONNECTOR					
		7N7780	1	PIN-CONNECTOR					
		7N9737	1	HOUSING-PLUG					
	5	1004083	1	THE FOLLOWING REPAIR KIT IS AVAILABLE: SEAL KIT (INCL LISTED PARTS)					
Z		3E7751	1	RING-BACKUP (15.9 OD)					
		6V5142	1	SEAL-O-RING (ORFS-OD 19.2)					
		6V5758	1	SEAL-O-RING (ORFS-OD 16)					
Z		9X7413	1	RING-BACKUP (19.0 OD)					
		0336036	1	SEAL-O-RING (ORB-OD 29.5)					

Z - NOT SERVICED SEPARATELY

1446292 VALVE GP-SOLENOID (LOCK UP CLUTCH)

Part of 6I9514 Lock up Clutch/Solenoid

DIFFERENTIAL STEERING SYSTEM

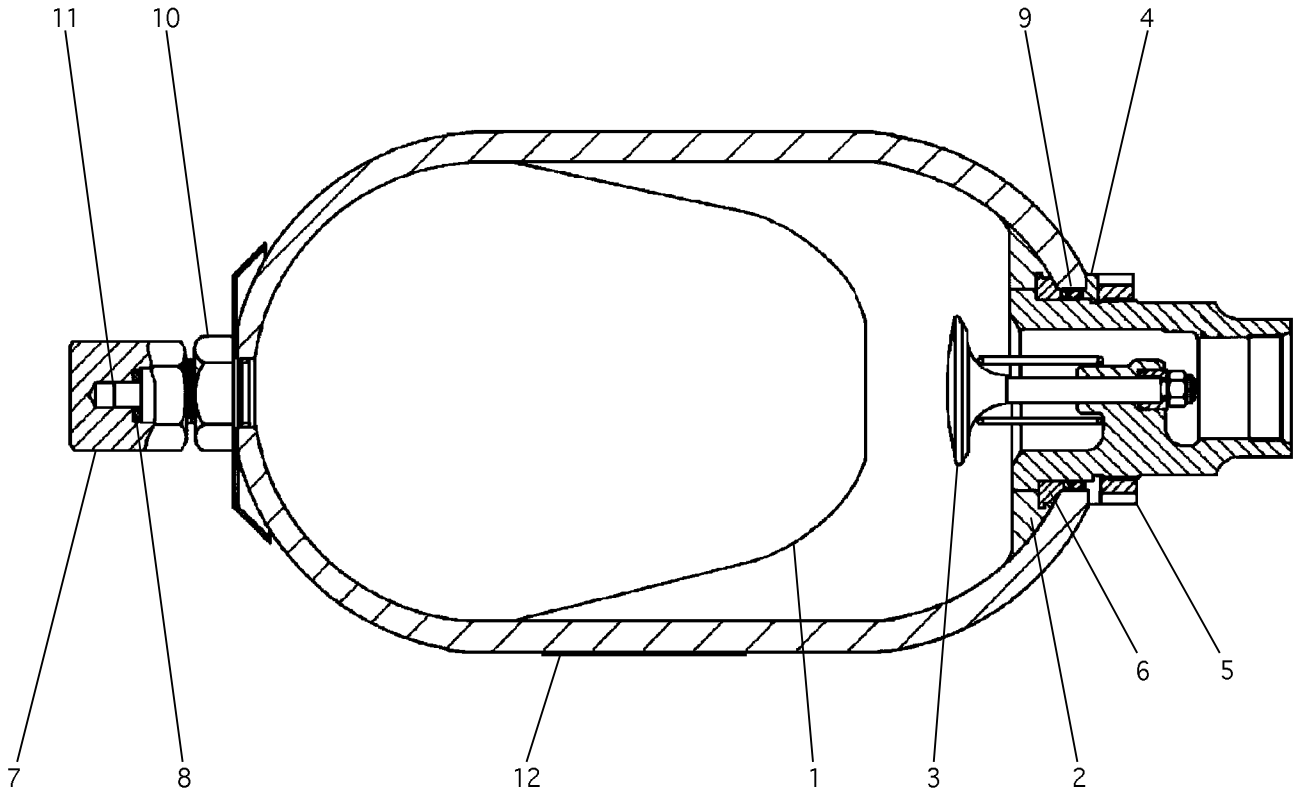


NOTE	REF NO	PART NUMBER	QTY	PART NAME	NOTE	REF NO	PART NUMBER	QTY	PART NAME
	1	1418605	1	COIL AS					
		1S9593	2	STRAP-CABLE					
		7N7779	1	SOCKET-CONNECTOR					
		7N7780	1	PIN-CONNECTOR					
		7N9737	1	HOUSING-PLUG					
	2	1707485	1	CARTRIDGE AS					
	3	1110343	1	LOCKNUT-SPL					
	4	8C9987	1	WASHER					
	5	1093036	1	SEAL KIT					
		1H1023	2	SEAL-O-RING (OD 12.8)					
		3D2824	2	SEAL-O-RING (ORB-OD 29.5)					
		4K2039	2	SEAL-O-RING (OD 16)					
		7J9108	2	SEAL-O-RING (ORFS-OD 19.2)					
		1096925	2	RING-BACKUP (9.91 MM ID)					
		1096926	2	RING-BACKUP (13.16 MM ID)					
		1096927	2	RING-BACKUP (16.33 MM ID)					

1528351 VALVE GP-SOLENOID (STEERING)

Part of 1312624 Valve Gp & Mounting

HYDRAULIC SYSTEM

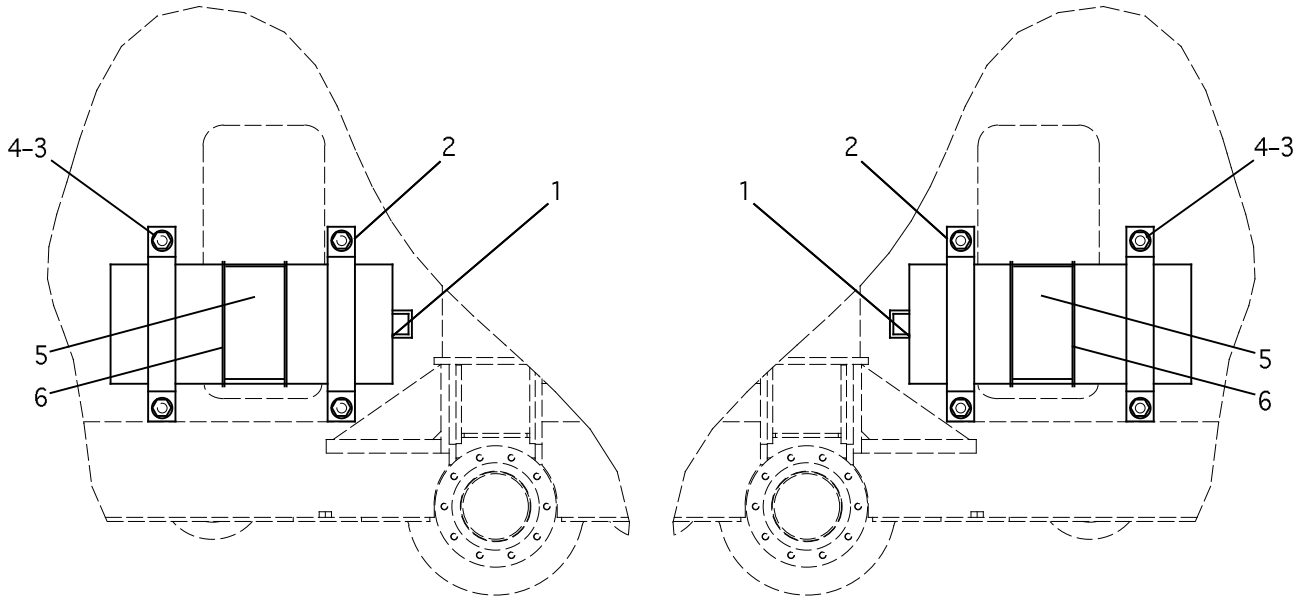


NOTE	REF NO	PART NUMBER	QTY	PART NAME	NOTE	REF NO	PART NUMBER	QTY	PART NAME
	1	9T7188	1	VALVE BAG-BLADDER					
	2	1234590	1	RING ANTI-EXTRUSION					
	3	1234591	1	PORT AS-POPPET					
			1	VALVE					
			1	SPRING					
			1	POPPET					
			1	LOCKNUT					
	4	1234592	1	SPACER					
	5	1234593	1	LOCKNUT					
	6	1234594	1	WASHER-METAL BACKUP RING					
	7	6E3329	1	COVER-VALVE					
	8	6E3330	1	SEAL					
	9	1234598	1	SEAL-O-RING					
	10	1234620	1	NUT-VALVE STEM					
	11	1234595	1	VALVE CORE					
	12	1706225	1	PLATE-NAME					
B	-	5P3779	1	TAG-CYLINDER					

B - USE AS REQUIRED

9T6148 ACCUMULATOR GP (BOGIE)
 Part of 1243847 Cylinder Gp & Mounting

HYDRAULIC SYSTEM



VIEW OF LEFT FRAME FROM INSIDE

VIEW OF RIGHT FRAME FROM INSIDE

NOTE	REF NO	PART NUMBER	QTY	PART NAME	NOTE	REF NO	PART NUMBER	QTY	PART NAME
Y	1	1696900	1	ACCUMULATOR GP					
	2	1243601	2	PLATE					
M	3	8T4779	4	BOLT (M16)					
	4	9X8257	4	WASHER					
	5	1789559	1	PLATE-WARNING					
	6	1792253	2	STRAP-CABLE					

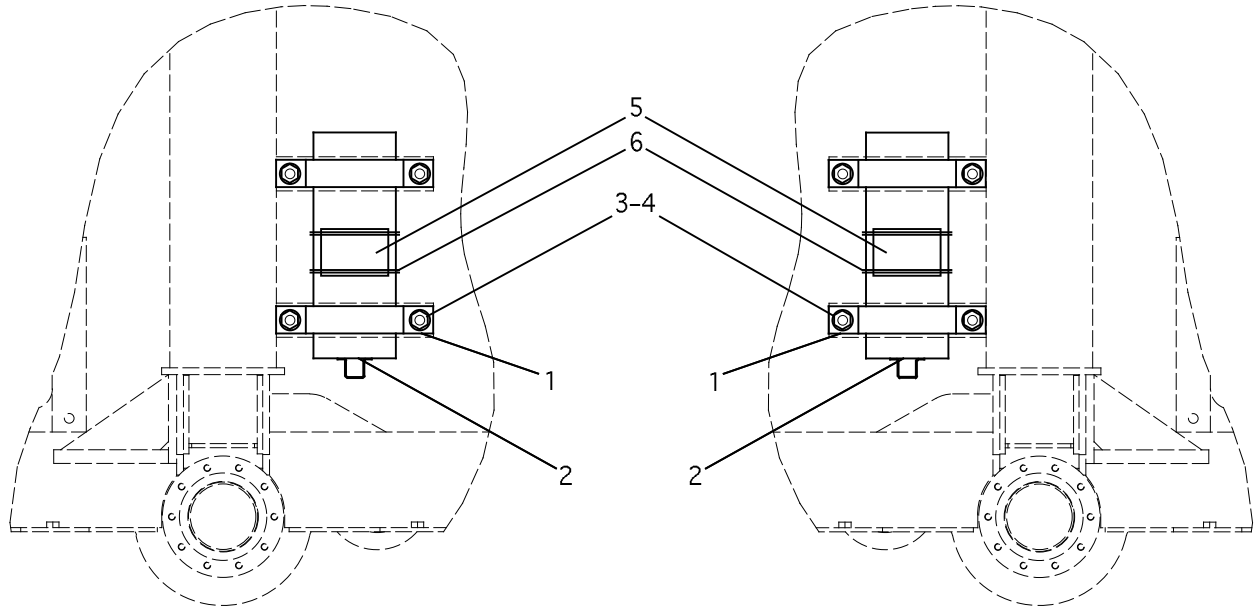
M - METRIC PART
Y - SEPARATE ILLUSTRATION

1266565 ACCUMULATOR GP & MOUNTING (FRONT TOP)

1696900-Page 309

Part of 1447167 Hydraulic Ar-Aux

HYDRAULIC SYSTEM



VIEW OF LEFT FRAME FROM INSIDE

VIEW OF RIGHT FRAME FROM INSIDE

NOTE	REF NO	PART NUMBER	QTY	PART NAME	NOTE	REF NO	PART NUMBER	QTY	PART NAME
	1	1243600	2	PLATE					
Y	2	1309240	1	ACCUMULATOR GP					
M	3	8T4779	4	BOLT (M16)					
	4	9X8257	4	WASHER					
	5	1789557	1	PLATE-WARNING					
	6	1792253	2	STRAP-CABLE					

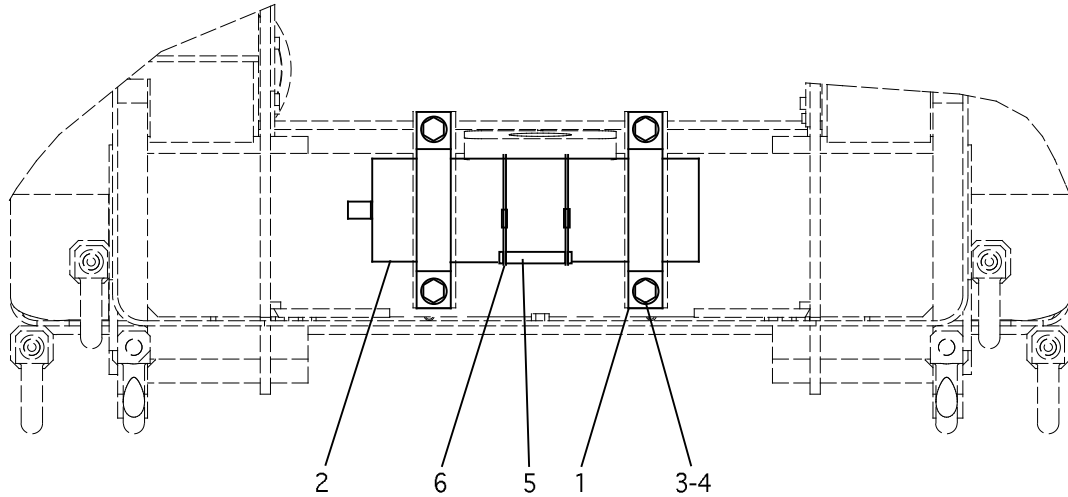
M - METRIC PART
Y - SEPARATE ILLUSTRATION

1266566 ACCUMULATOR GP (MID)

1309240-Page 305

Part of 1447167 Hydraulic Ar-Aux

HYDRAULIC SYSTEM



VIEW FROM FRONT BENEATH CAB

NOTE	REF NO	PART NUMBER	QTY	PART NAME	NOTE	REF NO	PART NUMBER	QTY	PART NAME
Y	1	1243600	2	PLATE					
	2	1309241	1	ACCUMULATOR GP					
M	3	8T4779	4	BOLT-HEX (M16)					
	4	9X8257	4	WASHER					
	5	1789558	1	PLATE-WARNING					
	6	1792253	2	STRAP-CABLE					

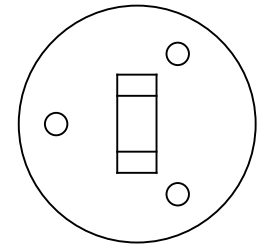
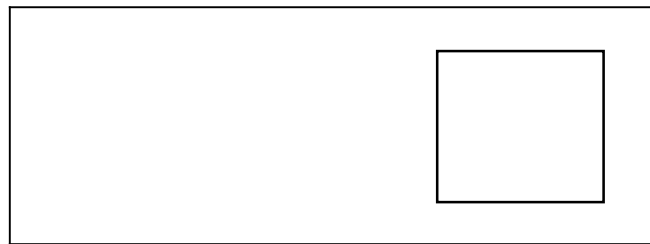
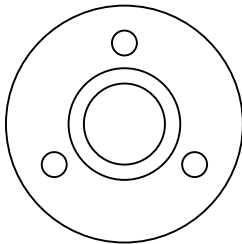
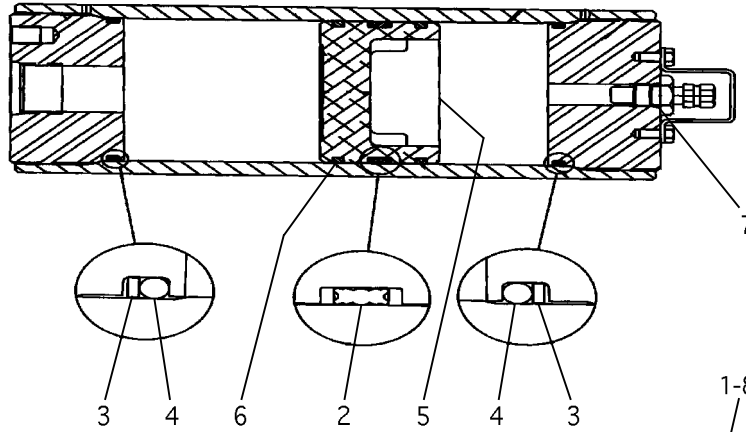
M - METRIC PART
Y - SEPARATE ILLUSTRATION

1293016 ACCUMULATOR GP (BRAKE)

1309241-Page 306

Part of 1447167 Hydraulic Ar-Aux

HYDRAULIC SYSTEM



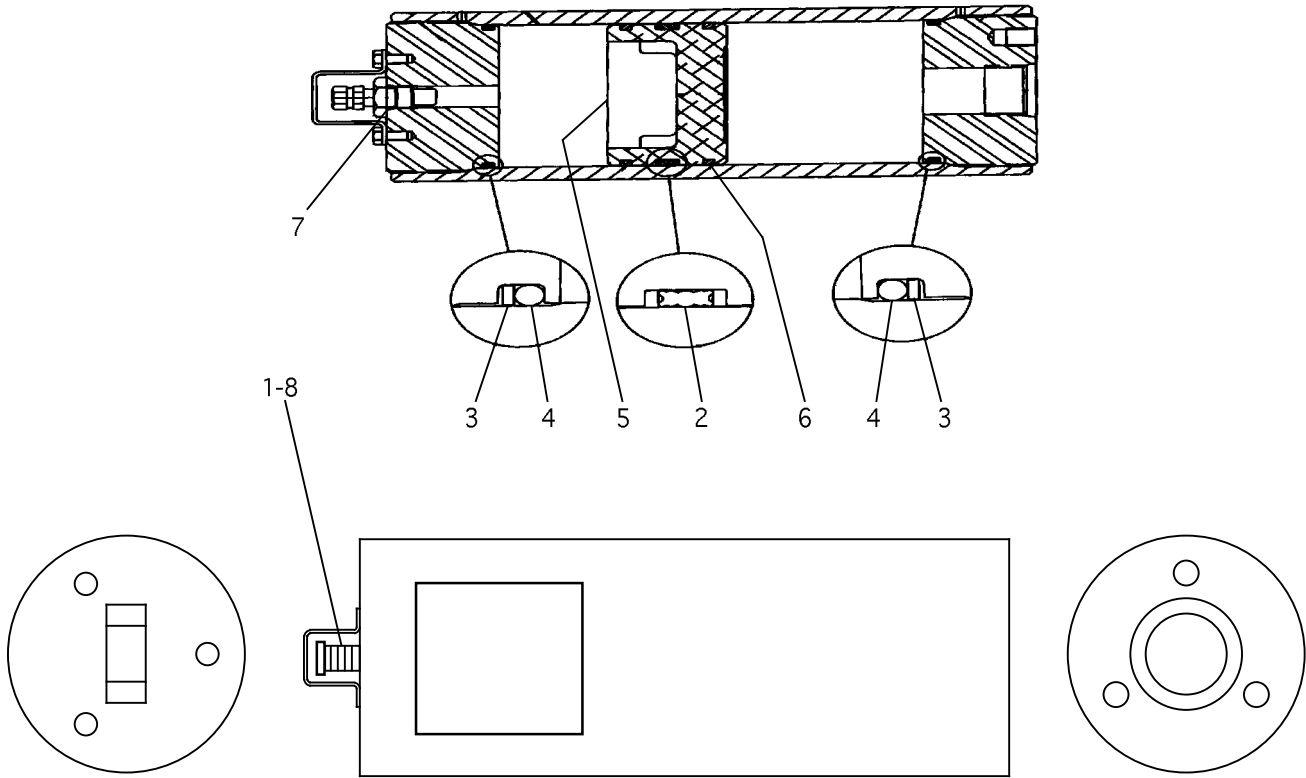
NOTE	REF NO	PART NUMBER	QTY	PART NAME	NOTE	REF NO	PART NUMBER	QTY	PART NAME
F	1	0692535	1	VALVE-GAS					
	-	8R2972	1	SEAL KIT					
	2		1	V-O-RING SEAL					
	3		2	WASHER-BACKUP					
	4		2	O-RING END SEAL					
	5		1	PISTON AS					
	6		2	PISTON WEAR RING-TEFLON					
	7		1	O-RING					
	8	1903850	1	CORE					

F - NOT SHOWN

1309240 ACCUMULATOR GP (MID)

Part of 1243842 Cylinder Gp and 1266566 Accumulator Gp

HYDRAULIC SYSTEM



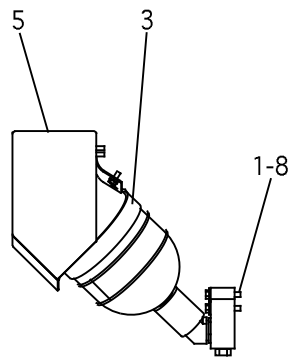
NOTE	REF NO	PART NUMBER	QTY	PART NAME	NOTE	REF NO	PART NUMBER	QTY	PART NAME
F	1	692535	1	VALVE-GAS					
	-	8R2972	1	SEAL KIT					
	2		1	V-O-RING SEAL					
	3		2	WASHER-BACKUP					
	4		2	O-RING END SEAL					
	5		1	PISTON AS					
	6		2	PISTON WEAR RING-TEFLON					
	7		1	O-RING					
	8	1903850	1	CORE					

F - NOT SHOWN

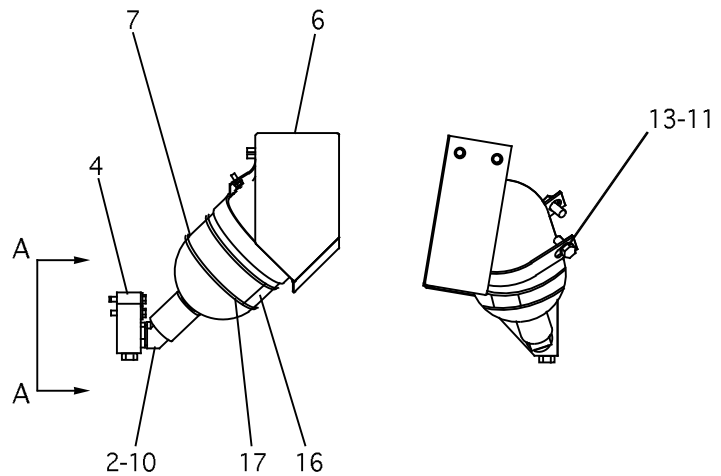
1309241 ACCUMULATOR GP (BRAKE)

Part of 1293016 Accumulator Gp

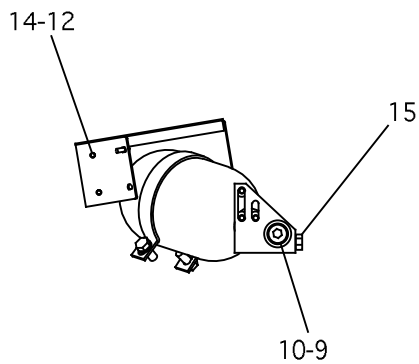
HYDRAULIC SYSTEM



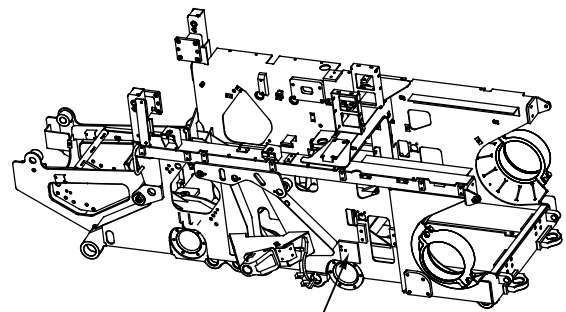
LEFT SIDE



RIGHT SIDE



VIEW A-A



MOUNTING LOCATION
(BOTH SIDES)

NOTE	REF NO	PART NUMBER	QTY	PART NAME	NOTE	REF NO	PART NUMBER	QTY	PART NAME
M	1	7Y7992	6	BOLT-HEX HEAD (M12)					
	2	1682300	2	ELBOW 45° (M,M-STOR)					
	3	1682373	2	STRAP					
	4	1739740	2	MANIFOLD					
	5	1690320	1	COVER AS					
	6	1690322	1	COVER AS					
Y	7	1696876	2	ACCUMULATOR GP					
M	8	5P1076	6	WASHER (M12)					
	9	5P7684	2	PLUG					
	10	6K6307	6	SEAL-O-RING (ORB-OD 49.7)					
	11	8T5460	4	BOLT-HEX HEAD					
	12	7X7729	6	WASHER					
M	13	8T4123	4	WASHER (M20)					
M	14	8T4136	6	BOLT-HEX HEAD (M10)					
	15	1465034	2	VALVE-RELEASE					
	16	1789560	2	PLATE-WARNING					
	17	1792253	4	STRAP-CABLE					

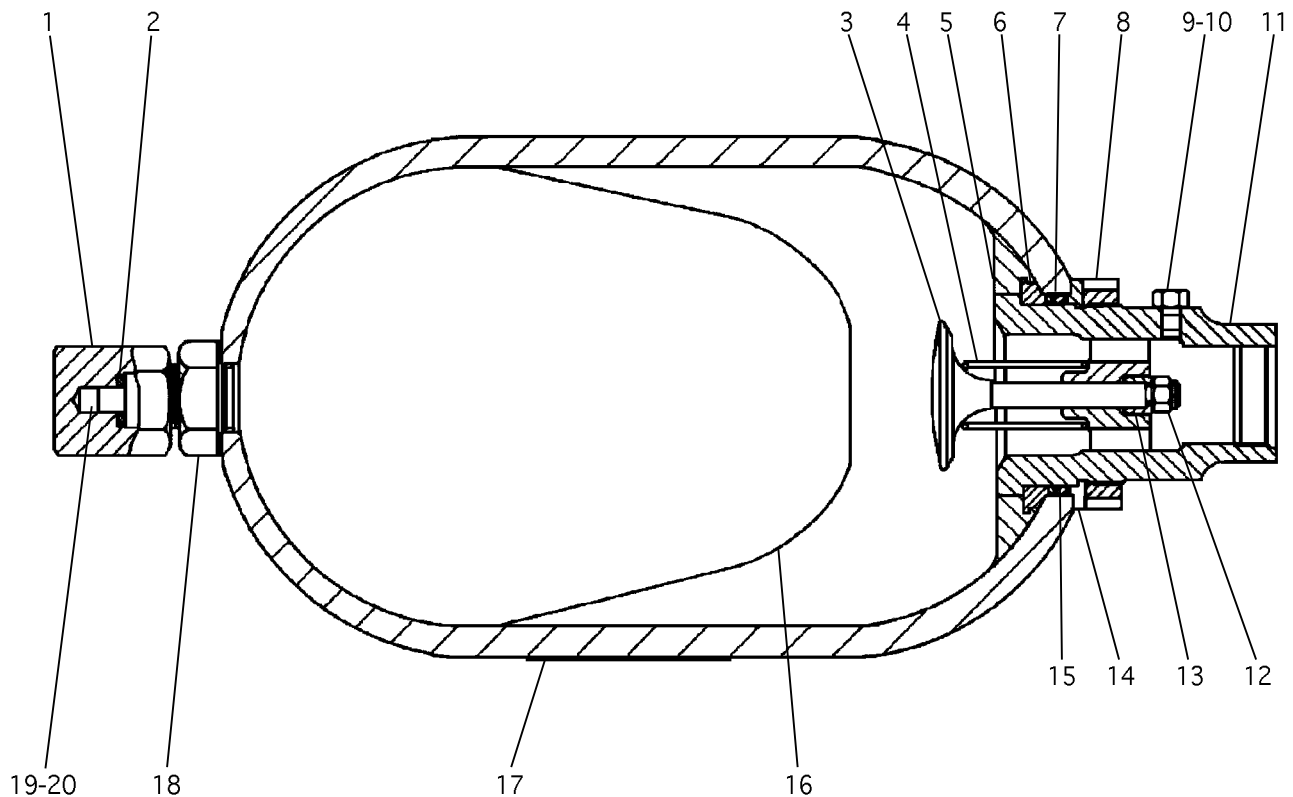
M - METRIC PART
Y - SEPARATE ILLUSTRATION

1680239 ACCUMULATOR GP & MOUNTING (TENSIONER)

1696876-Page 308

Part of 1447210 Undercarriage Ar

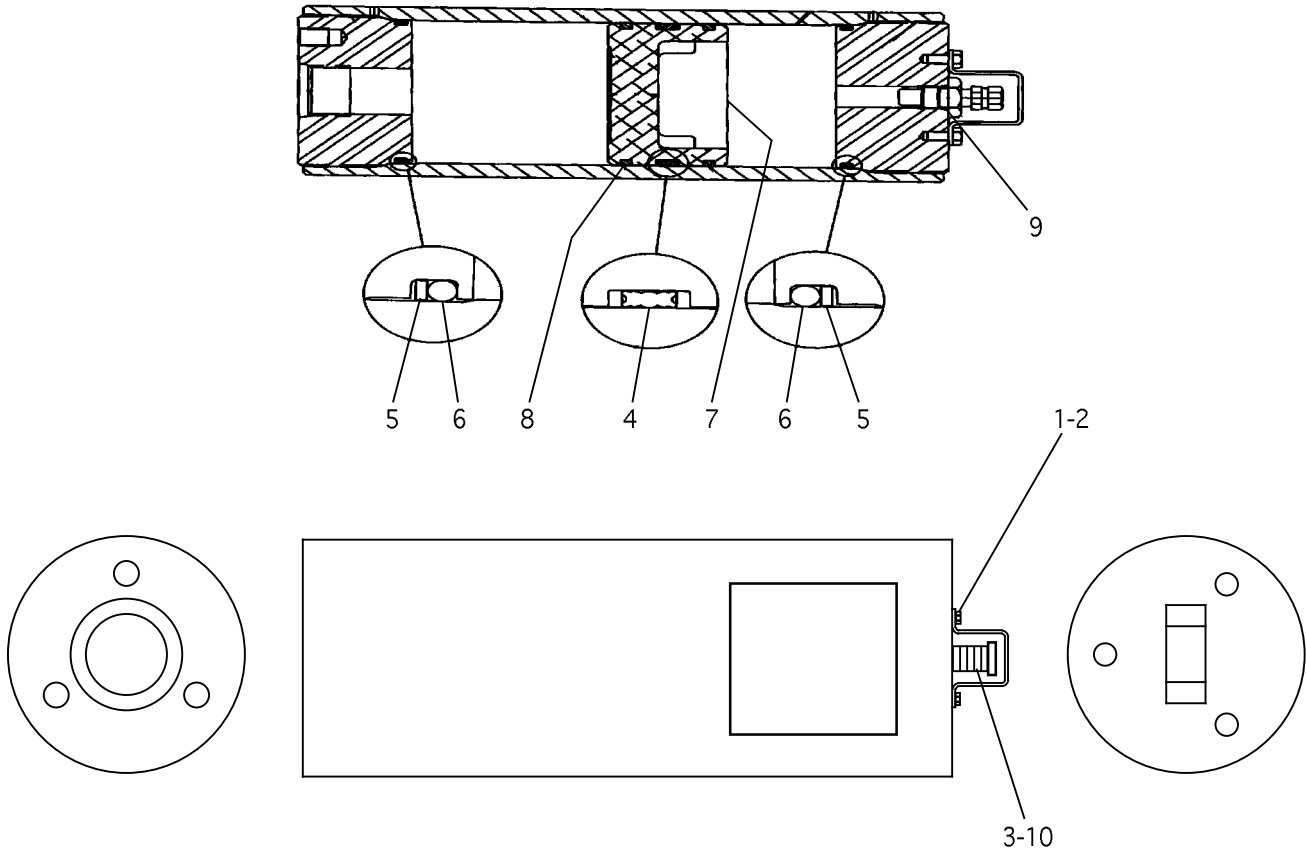
HYDRAULIC SYSTEM



NOTE	REF NO	PART NUMBER	QTY	PART NAME	NOTE	REF NO	PART NUMBER	QTY	PART NAME
J	1	1741740	1	COVER-VALVE	J	18	1550666	1	NUT-JAM
	2	1550656	1	SEAL		19	1694811	1	VALVE-AS
	3	1696727	1	PORT AS-POPPET		20	1903850	1	CORE
	4	1696729	1	SPRING			1741742	1	REPAIR KIT (INCL PARTS MARKED J)
J	5	1694805	1	VALVE					
	6	1550662	1	SPRING					
	7	1694813	1	POPPET					
	8	1694807	1	LOCKNUT					
	9	5P4482	1	SPRING					
	10	3J1907	1	RING-ANTI EXTRUSION					
	11	1741739	1	RING-BACK UP					
	12	1696731	1	SEAL-O-RING					
	13	1696730	1	NUT					
	14	1694806	1	PLUG-O-RING					
	15	1694815	1	SEAL-O-RING (ORB-OD 15.9)					
J	16	1741738	1	FITTING					
J	17	1741741	1	NUT					
				SLEEVE					
				SPACER					
				RING					
				VALVE BAG-BLADDER					
				LABEL-NAME					

1696876 ACCUMULATOR GP (TENSIONER)
Part of 1680239 Accumulator Gp & Mounting

HYDRAULIC SYSTEM

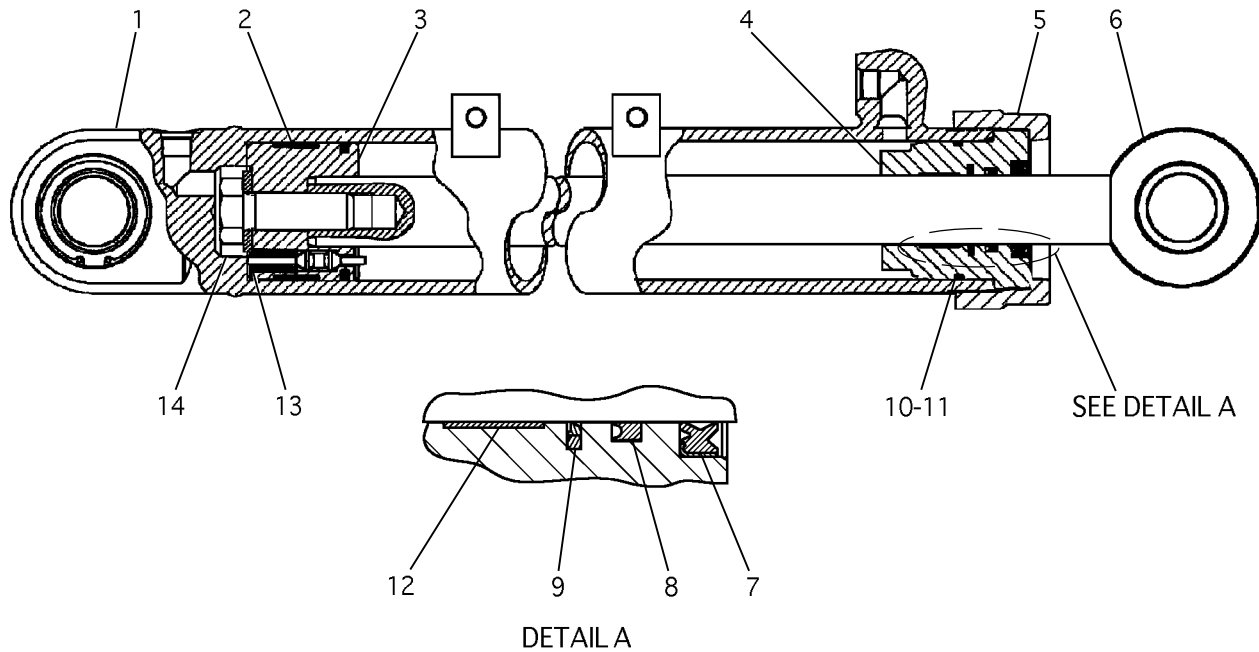


NOTE	REF NO	PART NUMBER	QTY	PART NAME	NOTE	REF NO	PART NUMBER	QTY	PART NAME
F	1	1119110	1	PROTECTOR-GAS VALVE					
	2	5M3062	2	BOLT					
	3	0692535	1	VALVE-GAS					
	-	9T7347	1	SEAL KIT					
	4		1	V-O-RING SEAL					
	5		2	WASHER-BACKUP					
	6		2	O-RING END SEAL					
	7		1	PISTON AS					
	8		2	PISTON WEAR RING-TEFLON					
	9		1	O-RING					
10	1903850	1	CORE						

F - NOT SHOWN

1696900 ACCUMULATOR GP (FRONT TOP)
 Part of 1266565 Accumulator Gp & Mounting

HYDRAULIC SYSTEM



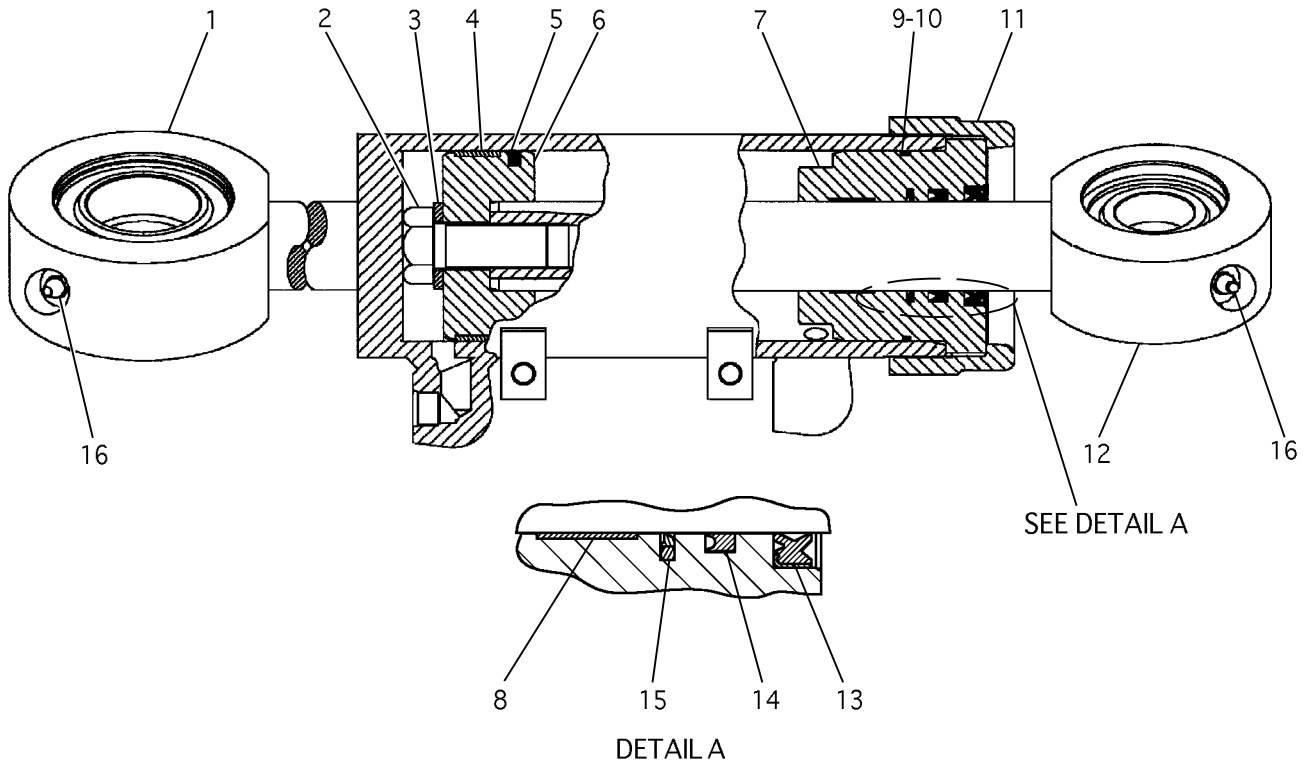
NOTE	REF NO	PART NUMBER	QTY	PART NAME	NOTE	REF NO	PART NUMBER	QTY	PART NAME
	1	1004536	1	CYLINDER AS		13	1004531	1	WASHER
		2H5549	2	RING-RETAINING		14	1739779	1	BOLT
		4D4431	1	BEARING-ALIGNING					
		4T1679	4	LUG					
		9J0398	1	BOSS					
J	2	7J9885	1	RING-WEAR			1857020	1	SEAL KIT-HYD CYLINDER (INCL PARTS MARKED J)
	3	1004529	1	PISTON AS					
		8N5083	1	SPRING	FN		2H4145	1	SEAL-O-RING (ID 88.5)
		9T4977	1	PLUNGER (42 MM LG)	FN		2H6338	1	SEAL-O-RING (ID 85.3)
		9T4978	1	PLUNGER (26 MM LG)	FN		2J4066	1	RING-BACK UP
J		4T8054	1	SEAL AS					
	4	9T3965	1	HEAD					
	5	7J9887	1	CROWN					
	6	1684846	1	ROD AS					
		7J9884	1	BEARING					
J	7	1672452	1	SEAL-LIP TYPE					
J	8	1672300	1	SEAL-U-CUP					
J	9	1672190	1	SEAL AS					
J	10	4J9224	1	RING-BACK UP					
J	11	2H3931	1	SEAL-O-RING (OD 89.2)					
J	12	4T6907	1	RING-WEAR					

F - NOT SHOWN
N - PART OF SEAL KIT BUT NOT USED

1006174 CYLINDER GP (ANGLE)

Part of 1186804 Bulldozer Ar

HYDRAULIC SYSTEM

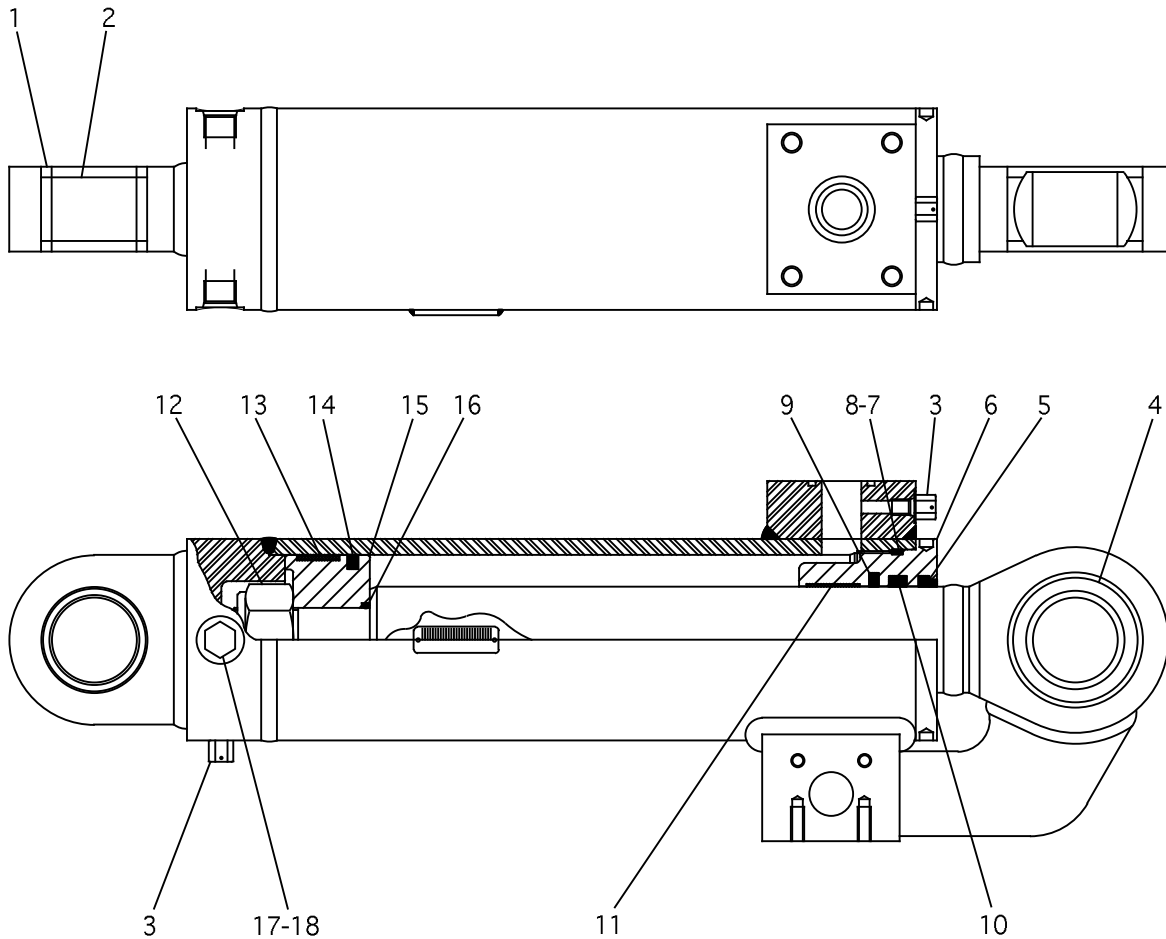


NOTE	REF NO	PART NUMBER	QTY	PART NAME	NOTE	REF NO	PART NUMBER	QTY	PART NAME
	1	9T9562	1	CYLINDER AS		15	1672195	1	SEAL AS
		1U1730	2	LUG		16	3B8489	2	FITTING (GREASE)
		9J0398	2	BOSS					
		1S3311	1	RING-RETAINING					
		7J1309	1	BEARING					
	2	7J5639	1	BOLT-SELF LOCK					
	3	5P8250	1	WASHER-HARD					
	4	6J7264	1	RING-WEAR					
	5	5J7854	1	SEAL AS					
		5J7852	1	SEAL					
	6	4T0500	1	PISTON					
	7	9T9276	1	HEAD					
	8	4T5613	1	RING-WEAR					
	9	1H6227	1	SEAL-O-RING (OD 108.3)					
	10	5J7865	1	RING-BACK UP					
	11	7J9910	1	CROWN					
	12	6E1455	1	ROD AS					
		9J7964	1	BEARING-SPHER					
		1K6985	1	RING-RETAINING					
	13	1672457	1	SEAL-LIP TYPE					
	14	1672304	1	SEAL-U-CUP					

9T9557 CYLINDER GP (TILT)

Part of 1186804 Bulldozer Ar

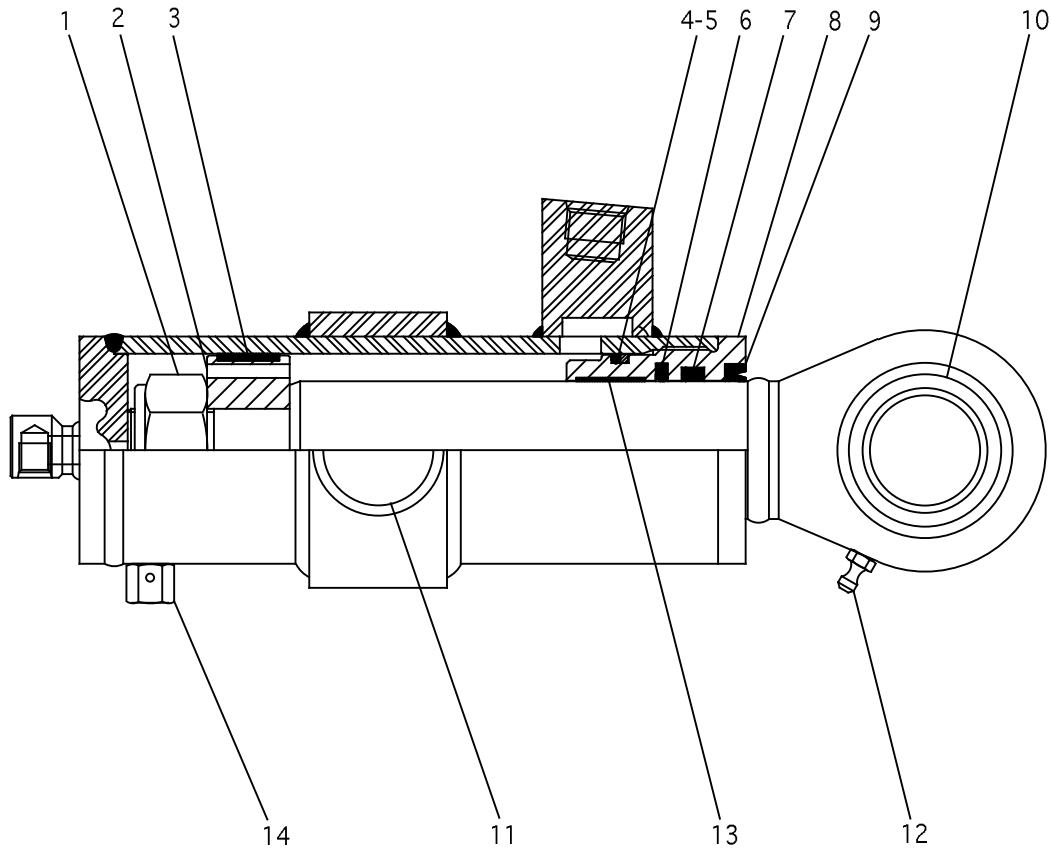
HYDRAULIC SYSTEM



NOTE	REF NO	PART NUMBER	QTY	PART NAME	NOTE	REF NO	PART NUMBER	QTY	PART NAME
	1	7K9203	2	SEAL-LIP TYPE					
	2	6S3463	1	BEARING-SLEEVE					
	3	1465034	2	VALVE-RELEASE					
	4	9M1328	1	BEARING-ALIGNING					
	5	5J8156	1	WIPER-SEAL					
	6	1465032	1	HEAD					
	7	1H6227	1	SEAL-O-RING (OD 108.3)					
	8	5J7865	1	RING-BACK UP					
	9	1672201	1	SEAL AS W/BUFFER					
	10	1672312	1	SEAL-U-CUP					
	11	8T5668	1	RING-WEAR					
	12	2J3950	1	NUT-SELF LOCKING					
	13	6J2797	1	RING-WEAR					
	14	8C9160	1	SEAL AS W/BUFFER					
	15	1465031	1	PISTON					
	16	4F7952	1	SEAL-O-RING (OD 44.8)					
	17	9S4185	2	PLUG-O-RING					
	18	3K0360	2	SEAL-O-RING (ORB-OD 20.8)					

1243843 CYLINDER GP-BASIC (FRONT)
 Part of 1243842 Cylinder Gp & Mounting

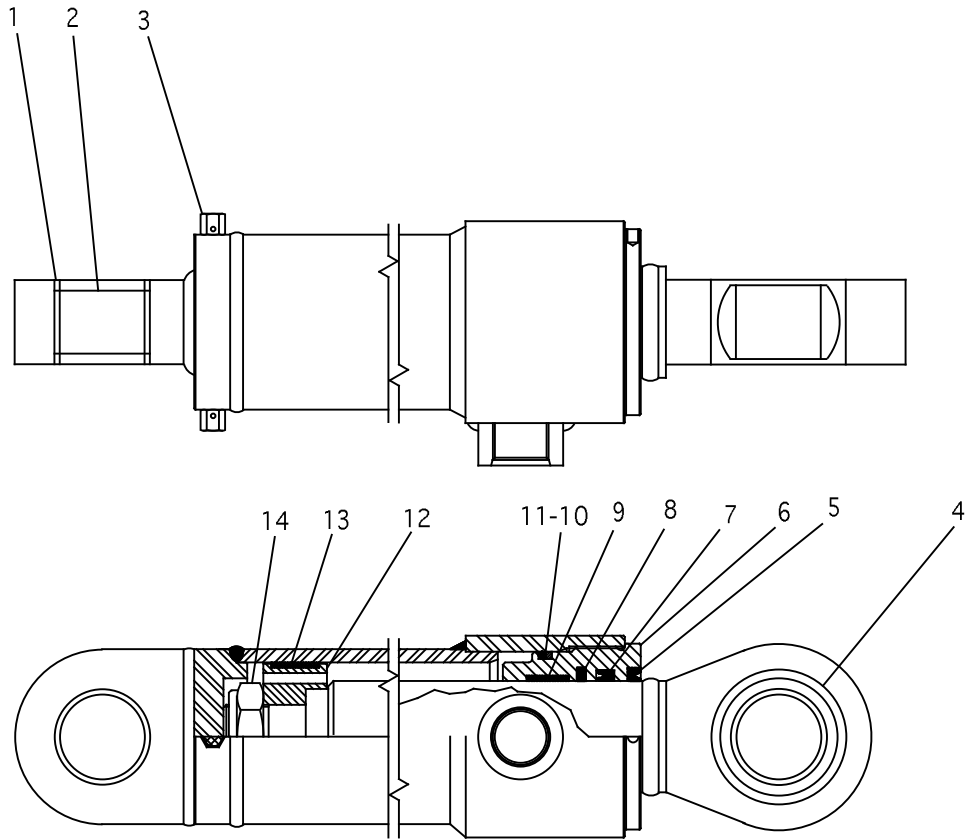
HYDRAULIC SYSTEM



NOTE	REF NO	PART NUMBER	QTY	PART NAME	NOTE	REF NO	PART NUMBER	QTY	PART NAME
	1	2J3950	1	NUT-SELF LOCKING					
	2	1465632	1	PISTON					
	3	7J9885	1	RING-WEAR					
	4	9F4446	1	SEAL-O-RING (OD 89.4)					
	5	1465695	1	RING-BACKUP					
	6	1672201	1	SEAL AS W/BUFFER					
	7	1672312	1	SEAL-U-CUP					
	8	1465631	1	HEAD					
	9	5J8156	1	WIPER-SEAL					
	10	9M1328	1	BEARING-ALIGNING					
	11	3T4307	2	BEARING-SLEEVE					
	12	3B8489	1	FITTING (GREASE)					
	13	8T5668	1	RING-WEAR					
	14	1465034	1	VALVE-RELEASE					

1243844 CYLINDER GP-BASIC (MINOR)
 Part of 1243847 Cylinder Gp & Mounting

HYDRAULIC SYSTEM

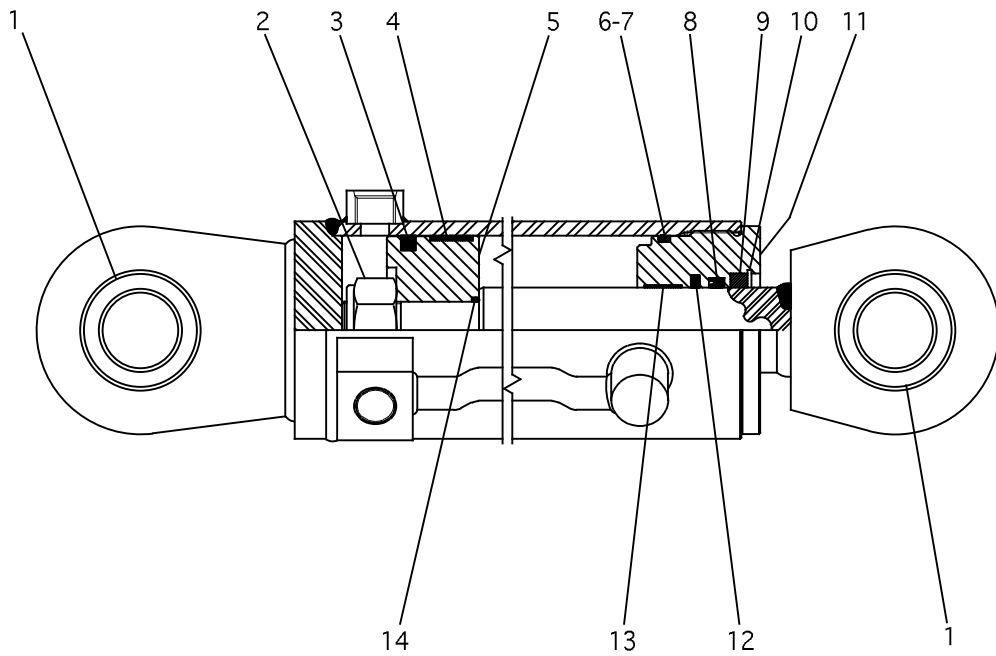


NOTE	REF NO	PART NUMBER	QTY	PART NAME	NOTE	REF NO	PART NUMBER	QTY	PART NAME
	1	7K9203	2	SEAL-LIP TYPE					
	2	6S3463	1	BEARING-SLEEVE					
	3	1465034	2	VALVE-RELEASE					
	4	9M1328	1	BEARING-ALIGNING					
	5	1465813	1	WIPER-ROD					
	6	1465029	1	HEAD					
	7	1465812	1	SEAL-ROD					
	8	1465811	1	RING-BUFFER					
	9	1465810	1	RING-WEAR					
	10	5J3934	1	RING-BACK UP W/O-RING					
	11	5F0149	1	SEAL-O-RING (OD 102.1)					
	12	1465028	1	PISTON					
	13	7J9885	1	RING-WEAR					
	14	7J6877	1	NUT-LOCK					

1243848 CYLINDER GP-BASIC (MID & REAR)

Part of 1243900 and 1243901 Cylinder Gp & Mounting

HYDRAULIC SYSTEM

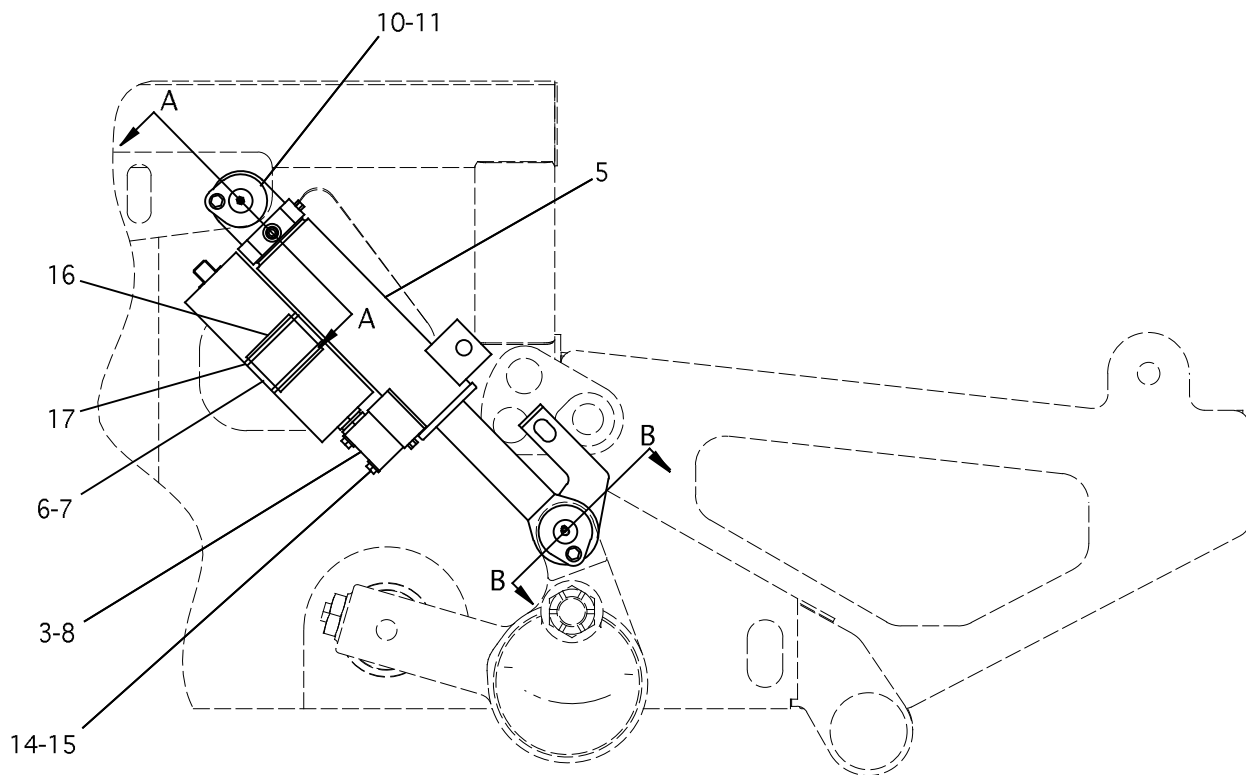


NOTE	REF NO	PART NUMBER	QTY	PART NAME	NOTE	REF NO	PART NUMBER	QTY	PART NAME
	1	9M1328	2	BEARING-ALIGNING					
	2	2J3950	1	NUT-SELF LOCKING					
	3	9X7264	1	SEAL AS					
	4	4J4630	1	RING-WEAR					
	5	1465026	1	PISTON					
	6	5P4326	1	SEAL-O-RING (OD 127.5)					
	7	9X7279	1	RING-BACKUP					
	8	1672307	1	SEAL-U-CUP					
	9	1672459	1	SEAL-LIP TYPE					
	10	2R1236	1	RING-RETAINING					
	11	1465027	1	HEAD					
	12	1672200	1	SEAL AS W/BUFFER					
	13	8T4958	1	RING-WEAR					
	14	4F7952	1	SEAL-O-RING (OD 44.8)					

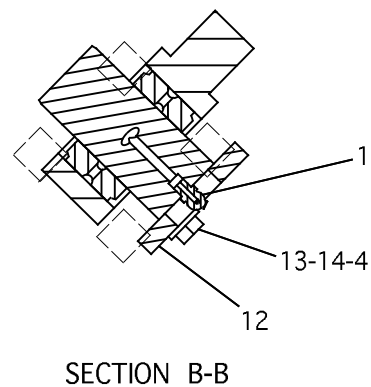
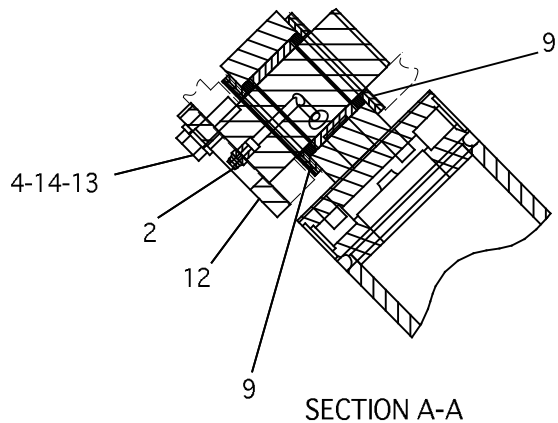
1244622 CYLINDER GP-BASIC (LIFT)

Part of 1265857 Cylinder Gp & Mounting (Lift)

HYDRAULIC SYSTEM



RIGHT SIDE VIEW SHOWN
(THIS GP ALSO USED ON L.H.SIDE)



1243842 CYLINDER GP & MOUNTING (FRONT)
Part of 1447210 Undercarriage Ar

HYDRAULIC SYSTEM

NOTE	REF NO	PART NUMBER	QTY	PART NAME	NOTE	REF NO	PART NUMBER	QTY	PART NAME
	1	3B8485	1	FITTING 45° (GREASE)					
	2	3B8489	1	FITTING (GREASE)					
	3	4F7391	1	SEAL-O-RING (OD 40)					
	4	8Y7386	2	SPACER					
Y	5	1243843	1	CYLINDER GP-BASIC					
	6	1302387	1	UNION-O-RING (M,M-STOR)					
Y	7	1309240	1	ACCUMULATOR GP					
	8	1314858	1	MANIFOLD					
	9	1448001	3	SHIM-3 MM (.12 IN)					
	10	1448002	2	SHIM-1.6 MM (.06 IN)					
	11	1448003	2	SHIM-0.8 MM (.03 IN)					
	12	1583537	2	PIN AS					
		1583542	1	PLATE					
M	13	8T4183	2	BOLT (M12)					
	14	8T4223	6	WASHER-HARD					
M	15	8T6868	4	BOLT (M12)					
	16	1789557	1	PLATE-WARNING					
	17	1792253	2	STRAP-CABLE					

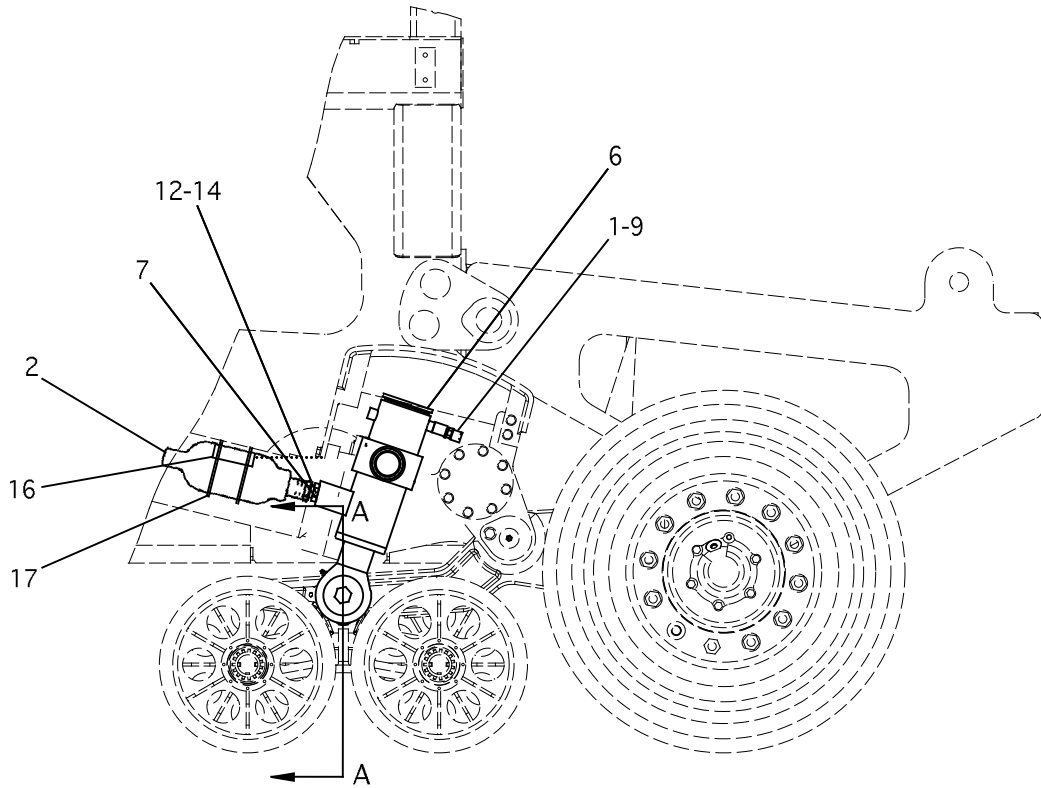
M - METRIC PART
 Y - SEPARATE ILLUSTRATION

1243842 CYLINDER GP & MOUNTING (FRONT)

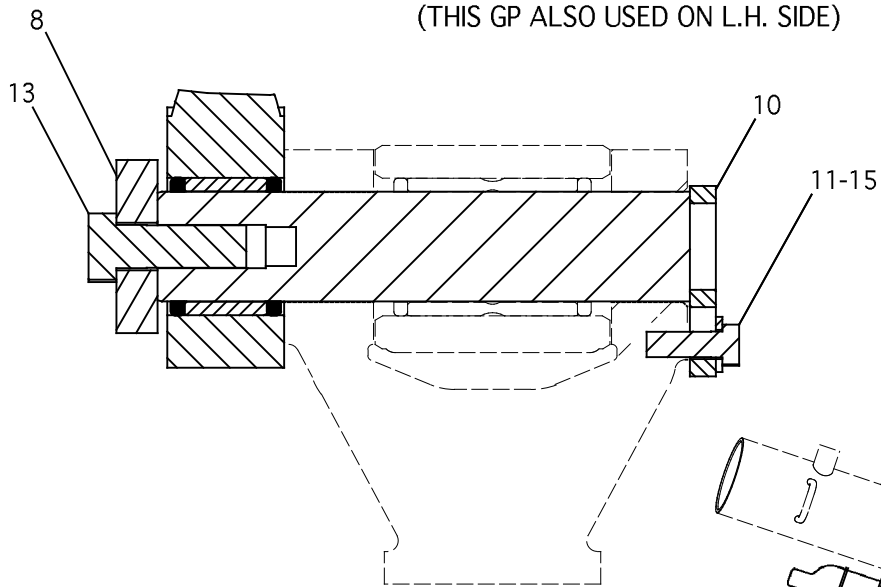
1243843-Page 312, 1309240-Page 305

Part of 1447210 Undercarriage Ar

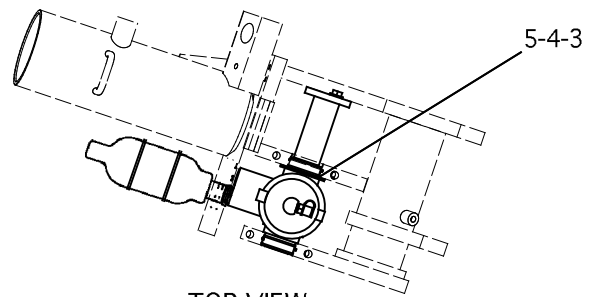
HYDRAULIC SYSTEM



RIGHT SIDE VIEW
(THIS GP ALSO USED ON L.H. SIDE)



SECTION A-A



TOP VIEW

1243847 CYLINDER GP & MOUNTING (BOGIE)
Part of 1447210 Undercarriage Ar

HYDRAULIC SYSTEM

NOTE	REF NO	PART NUMBER	QTY	PART NAME	NOTE	REF NO	PART NUMBER	QTY	PART NAME
	1	7X5308	1	CAP-DUST					
Y	2	9T6148	1	ACCUMULATOR GP					
B	3	1177777	2	SPACER-STEER PIN-1.9 MM (.07 IN)					
B	4	1177778	2	SPACER-STEER PIN-1.2 MM (.05 IN)					
B	5	1213033	2	SPACER-STEER PIN-0.6 MM (.02 IN)					
Y	6	1243844	1	CYLINDER GP-BASIC					
	7	5P9560	1	UNION-O-RING (M,M-STOR)					
	8	1302390	1	WASHER					
	9	1484415	1	COUPLING (M-QUICK)					
	10	1583539	1	PIN AS					
M	11	1600821	1	BOLT-HEX (M16)					
	12	3D2824	3	SEAL-O-RING (ORB-OD 29.5)					
M	13	6V3532	1	BOLT-HEX (M20)					
	14	9S8008	1	PLUG-O-RING					
	15	9X8257	1	WASHER-HARD					
	16	1789561	1	PLATE-WARNING					
	17	1792253	2	STRAP-CABLE					

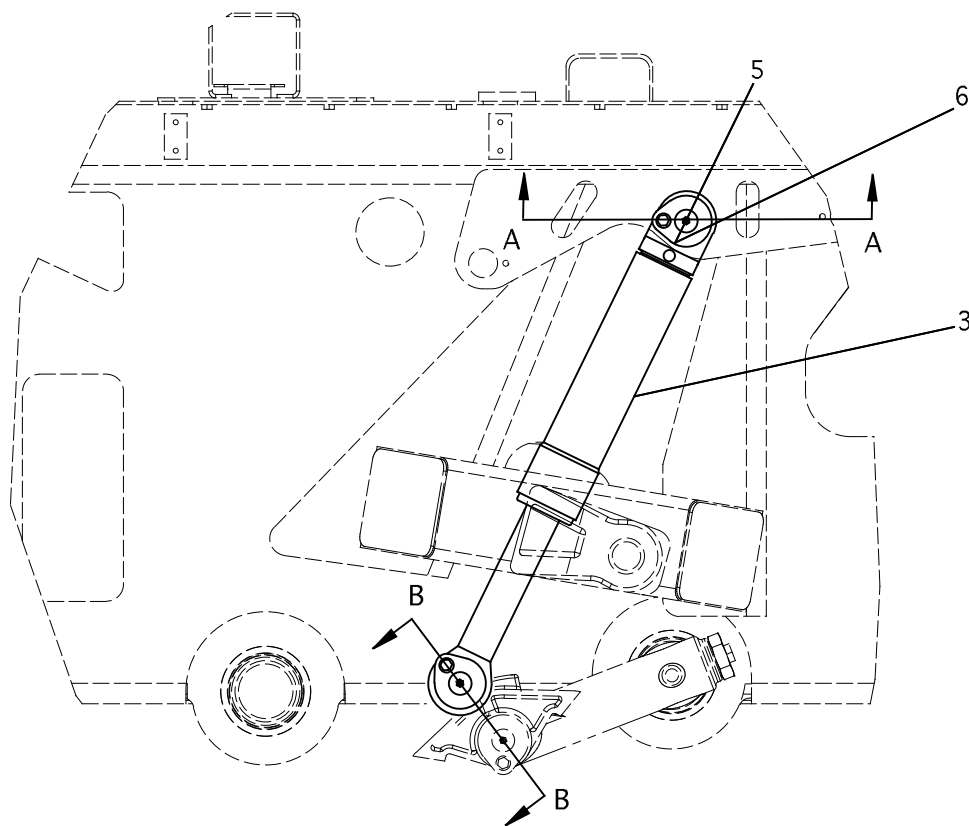
B - USE AS REQUIRED
M - METRIC PART
Y - SEPARATE ILLUSTRATION

1243847 CYLINDER GP & MOUNTING (BOGIE)

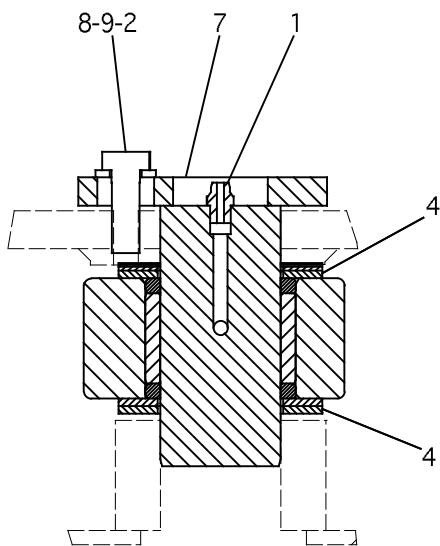
9T6148-Page 301, 1243844-Page 313

Part of 1447210 Undercarriage Ar

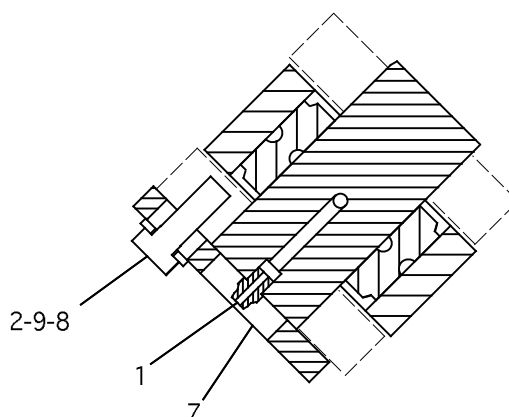
HYDRAULIC SYSTEM



RIGHT SIDE VIEW SHOWN
(THIS GP ALSO USED ON L.H. SIDE)



SECTION A-A



SECTION B-B

124390 CYLINDER GP & MOUNTING (MID)
Part of 1447210 Undercarriage Ar

HYDRAULIC SYSTEM

NOTE	REF NO	PART NUMBER	QTY	PART NAME	NOTE	REF NO	PART NUMBER	QTY	PART NAME
	1	3B8489	2	FITTING (GREASE)					
	2	8Y7386	2	SPACER					
Y	3	1243848	1	CYLINDER GP-BASIC (MID & REAR)					
	4	1448001	3	SHIM-3 MM (.12 IN)					
	5	1448002	2	SHIM-1.6 MM (.06 IN)					
	6	1448003	2	SHIM-0.8 MM (.03 IN)					
	7	1583537	2	PIN AS					
M	8	8T4183	2	BOLT (M12)					
	9	8T4223	2	WASHER-HARD					

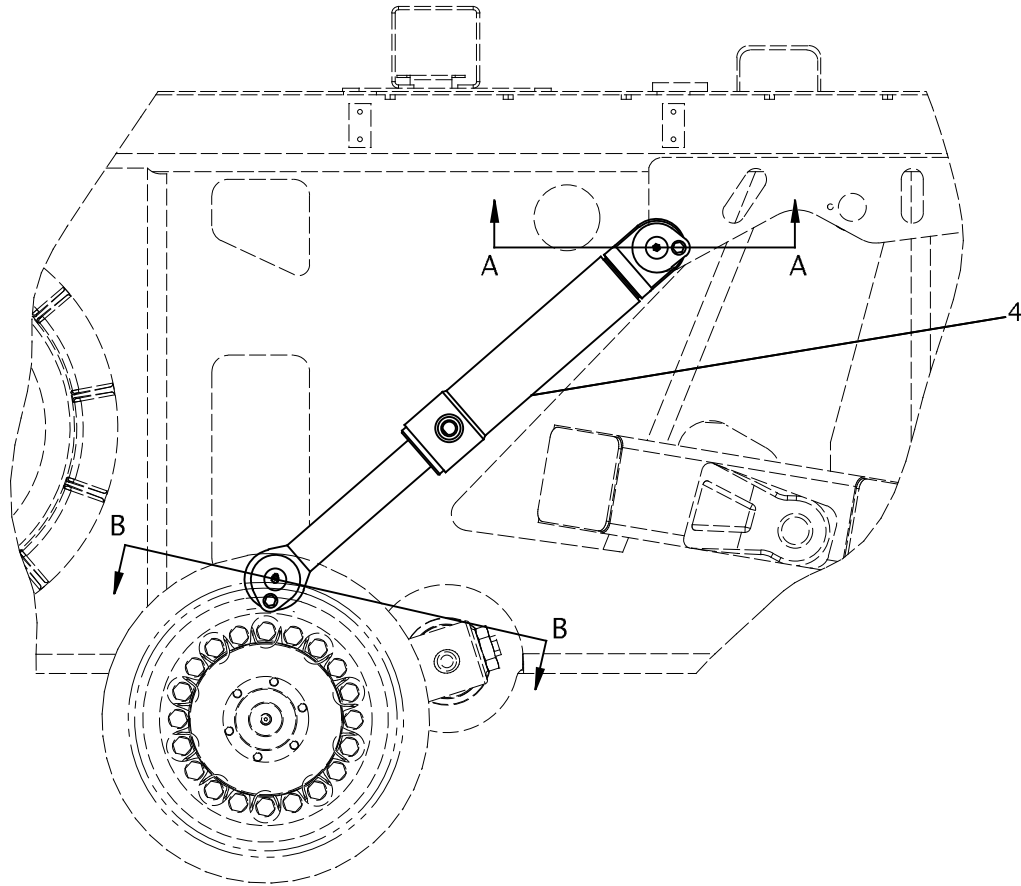
M - METRIC PART
 Y - SEPARATE ILLUSTRATION

1243900 CYLINDER GP & MOUNTING (MID)

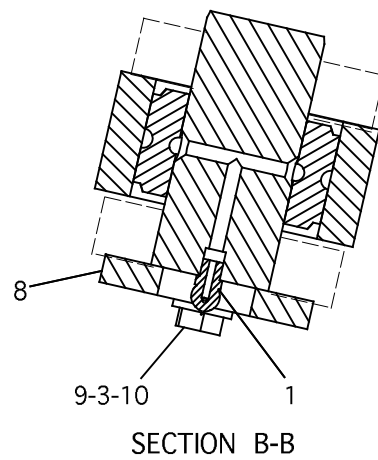
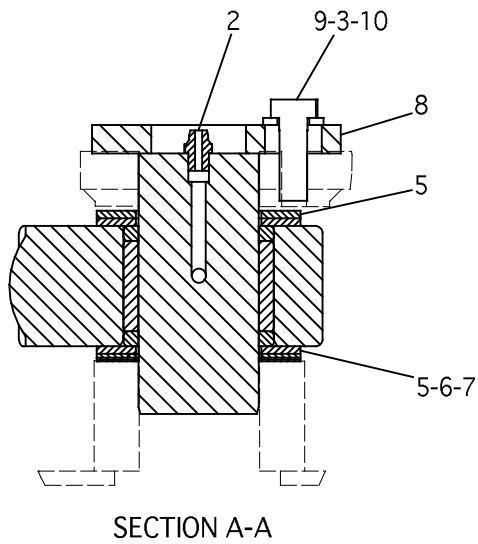
1243848-Page 314

Part of 1447210 Undercarriage Ar

HYDRAULIC SYSTEM



RIGHT SIDE VIEW SHOWN
(THIS GP ALSO USED ON L.H. SIDE)



1243901 CYLINDER GP & MOUNTING (REAR)
Part of 1447210 Undercarriage Ar

HYDRAULIC SYSTEM

NOTE	REF NO	PART NUMBER	QTY	PART NAME	NOTE	REF NO	PART NUMBER	QTY	PART NAME
	1	3B8485	1	FITTING 45° (GREASE)					
	2	3B8489	1	FITTING (GREASE)					
	3	8Y7386	2	SPACER					
Y	4	1243848	1	CYLINDER GP-BASIC					
	5	1448001	3	SHIM-3 MM (.12 IN)					
	6	1448002	2	SHIM-1.6 MM (.06 IN)					
	7	1448003	2	SHIM-0.8 MM (.03 IN)					
	8	1583537	2	PIN AS					
M	9	8T4183	2	BOLT (M12)					
	10	8T4223	2	WASHER-HARD					

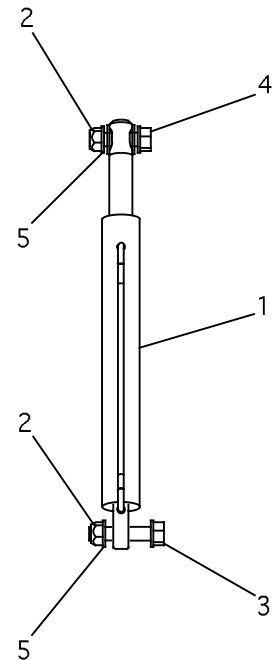
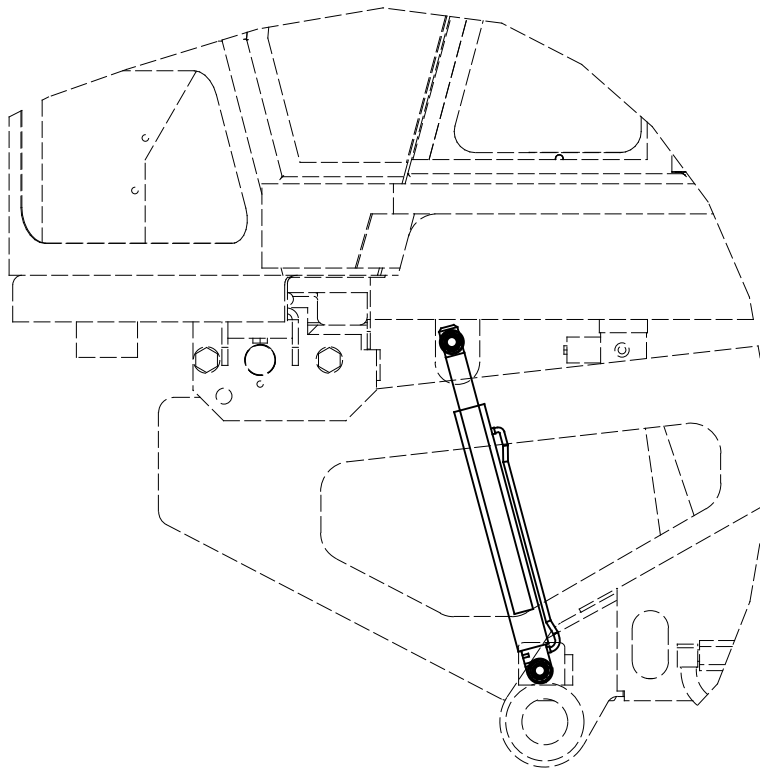
M - METRIC PART
 Y - SEPARATE ILLUSTRATION

1243901 CYLINDER GP & MOUNTING (REAR)

1243848-Page 314

Part of 1447210 Undercarriage Ar

HYDRAULIC SYSTEM



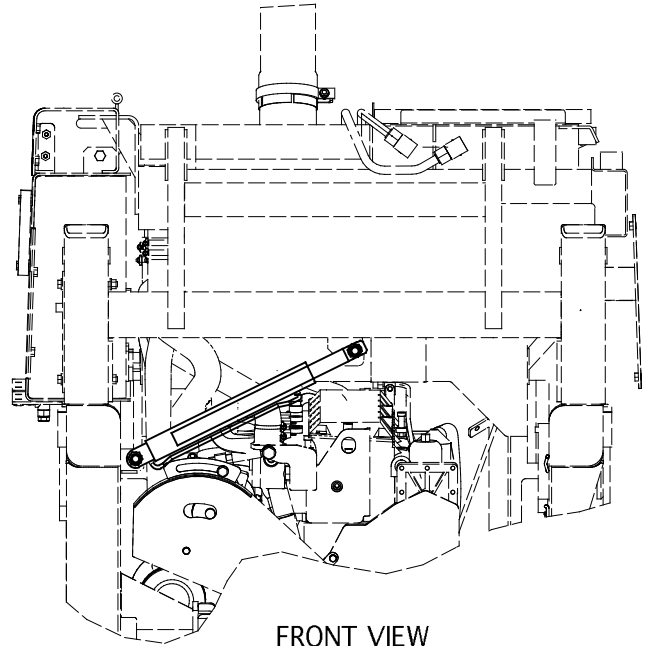
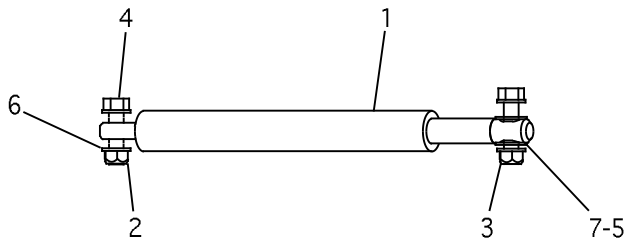
LEFT SIDE VIEW

NOTE	REF NO	PART NUMBER	QTY	PART NAME	NOTE	REF NO	PART NUMBER	QTY	PART NAME
	1	1284119	1	CYLINDER					
	2	1K6870	2	LOCKNUT (3/4-10)					
	3	7X0370	1	BOLT (3/4-10)					
	4	7X0368	1	BOLT (3/4-10)					
	5	8T4994	3	WASHER-HARD					

1245853 CYLINDER GP & MOUNTING (CAB TILT)

Part of 1245847 Lines Gp-Lift Cyl

HYDRAULIC SYSTEM



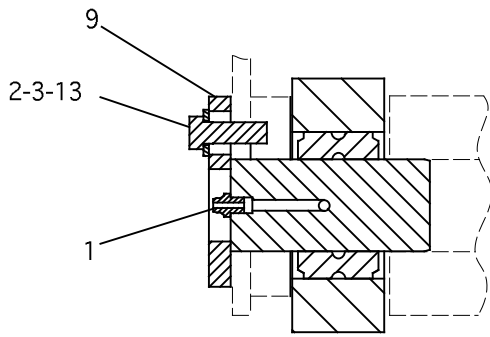
NOTE	REF NO	PART NUMBER	QTY	PART NAME	NOTE	REF NO	PART NUMBER	QTY	PART NAME
	1	1284119	1	CYLINDER					
	2	1K6870	1	LOCKNUT (3/4-10)					
M	3	7X2555	1	BOLT-HEX HEAD (M16)					
	4	8C6857	1	BOLT (3/4-10)					
M	5	8T4778	1	LOCKNUT (M16)					
	6	8T4994	2	WASHER-HARD					
	7	9X8257	2	WASHER					

M - METRIC PART

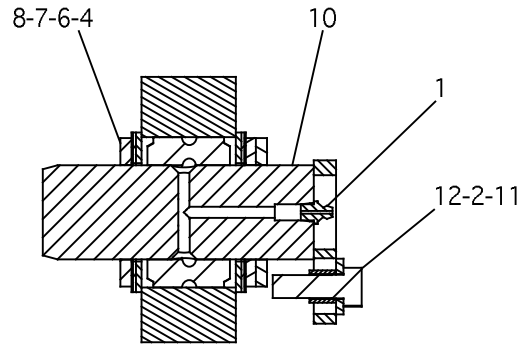
1245855 CYLINDER GP & MOUNTING (RADIATOR TILT)

Part of 1245847 Lines Gp-Lift Cyl

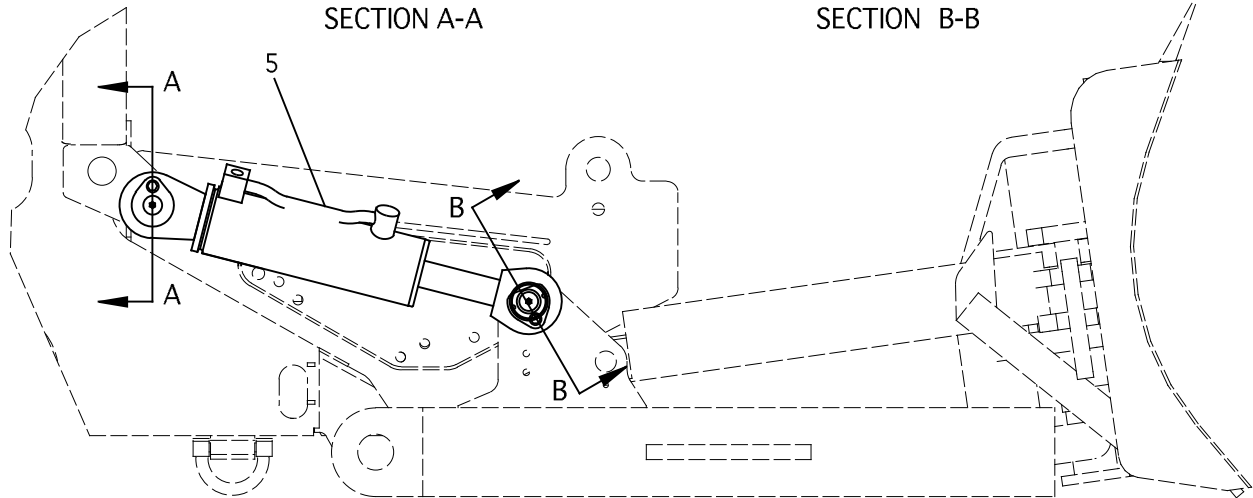
HYDRAULIC SYSTEM



SECTION A-A



SECTION B-B



RIGHT SIDE VIEW SHOWN
(THIS GP ALSO USED ON L.H. SIDE)

NOTE	REF NO	PART NUMBER	QTY	PART NAME	NOTE	REF NO	PART NUMBER	QTY	PART NAME
	1	3B8489	2	FITTING (GREASE)					
	2	4F6454	2	SLEEVE					
	3	8T4223	1	WASHER-HARD					
B	4	1153837	3	BOSS					
Y	5	1244622	1	CYLINDER GP-BASIC					
B	6	1448001	2	SHIM-3 MM (.12 IN)					
B	7	1448002	2	SHIM-1.6 MM (.06 IN)					
B	8	1448003	2	SHIM-0.8 MM (.03 IN)					
	9	1583537	1	PIN AS					
	10	1583541	1	PIN AS					
	11	5P1076	1	WASHER					
	12	5P2566	1	BOLT-HEX (1/2-13)					
M	13	8T4183	1	BOLT-HEX (M12)					

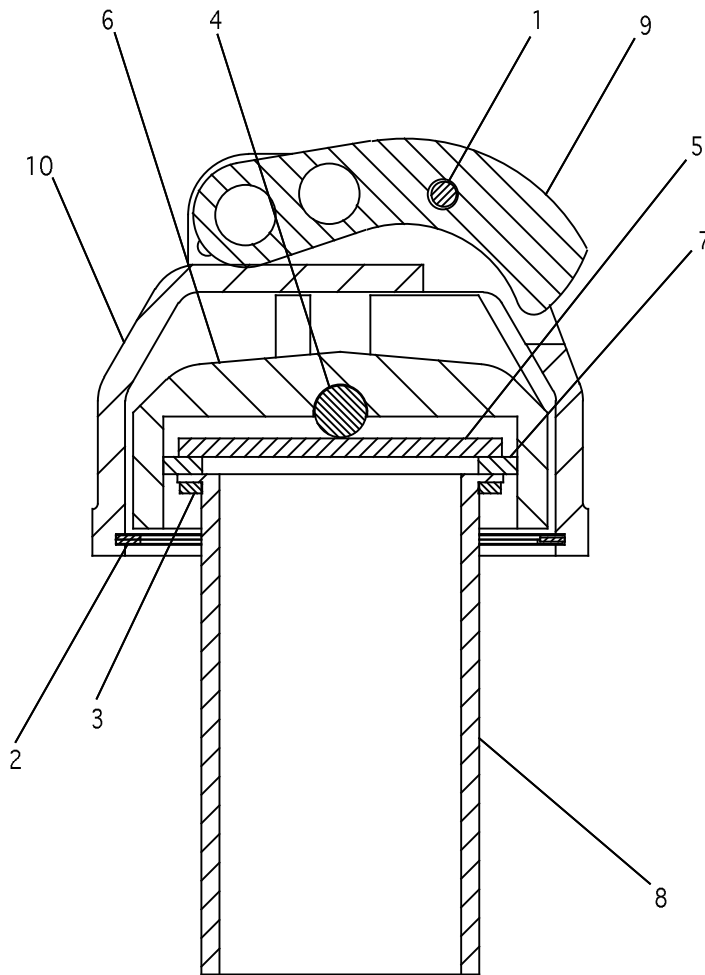
B - USE AS REQUIRED
M - METRIC PART
Y - SEPARATE ILLUSTRATION

1265857 CYLINDER GP & MOUNTING (LIFT)

1244622-Page 315

Part of 1186804 Bulldozer Ar

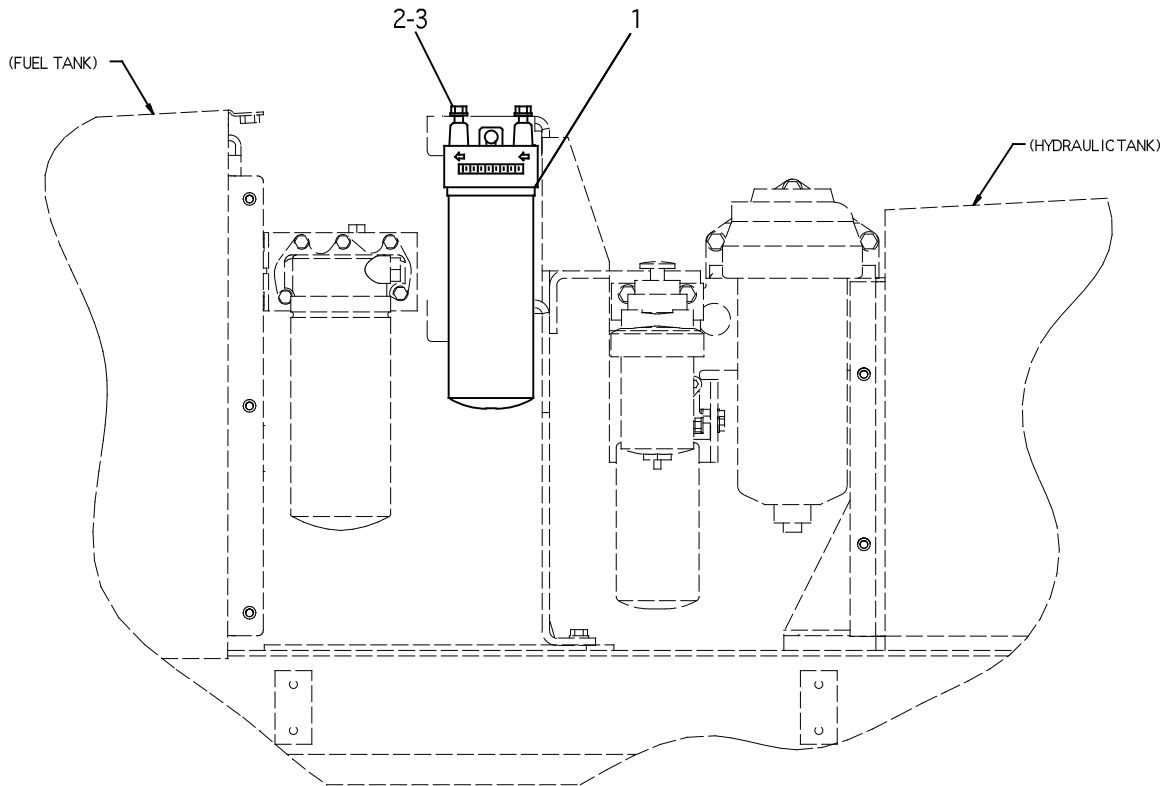
HYDRAULIC SYSTEM



NOTE	REF NO	PART NUMBER	QTY	PART NAME	NOTE	REF NO	PART NUMBER	QTY	PART NAME
	1	1L5072	1	DOWEL					
	2	2J7761	1	RING-RETAINING					
	3	3G0361	1	GASKET					
	4	4B9782	1	BALL					
	5	6H5139	1	PLATE-PRESSURE					
	6	7H1447	1	CAP-FILLER					
	7	9H6454	1	GASKET					
	8	9J3047	1	STRAINER					
	9	9M7394	1	LEVER					
	10	1309024	1	COVER-HYD CAP					

1302965 FILLER GP-HYDRAULIC
Part of 1446666 Tank Gp-Hydraulic

HYDRAULIC SYSTEM



RIGHT SIDE VIEW

NOTE	REF NO	PART NUMBER	QTY	PART NAME	NOTE	REF NO	PART NUMBER	QTY	PART NAME
Y	1	1243611	1	FILTER GP-BASIC					
	2	8T4121	4	WASHER-HARD					
	3	8T4136	4	BOLT-HEX (3/8)					

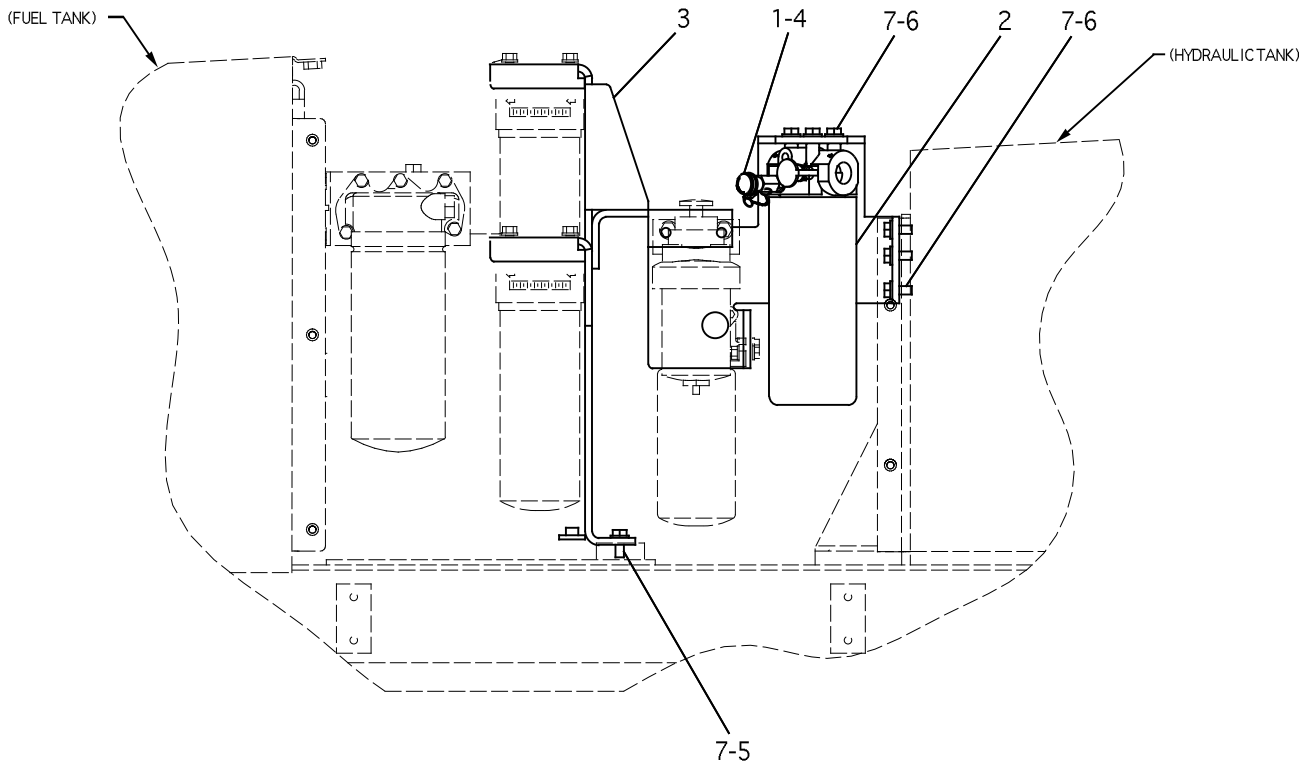
Y - SEPARATE ILLUSTRATION

1266570 FILTER GP & MOUNTING (HYD OIL)

1243611-Page 332

Part of 1447167 Hydraulic Ar-Aux

HYDRAULIC SYSTEM



RIGHT SIDE VIEW

NOTE	REF NO	PART NUMBER	QTY	PART NAME	NOTE	REF NO	PART NUMBER	QTY	PART NAME
	1	5R6800	1	VALVE AS					
Y	2	1226456	1	FILTER GP-BASIC					
	3	1293283	1	BRACKET AS					
		7R7963	1	PLATE AS					
M		8T3490	2	NUT-WELD (M10)					
	4	3J7354	1	SEAL-O-RING (ORB-OD 12.5)					
M	5	7X7729	2	WASHER-HARD (M10)					
M	6	8T4121	7	WASHER-HARD (M10)					
M	7	8T4136	9	BOLT-HEX (M10)					

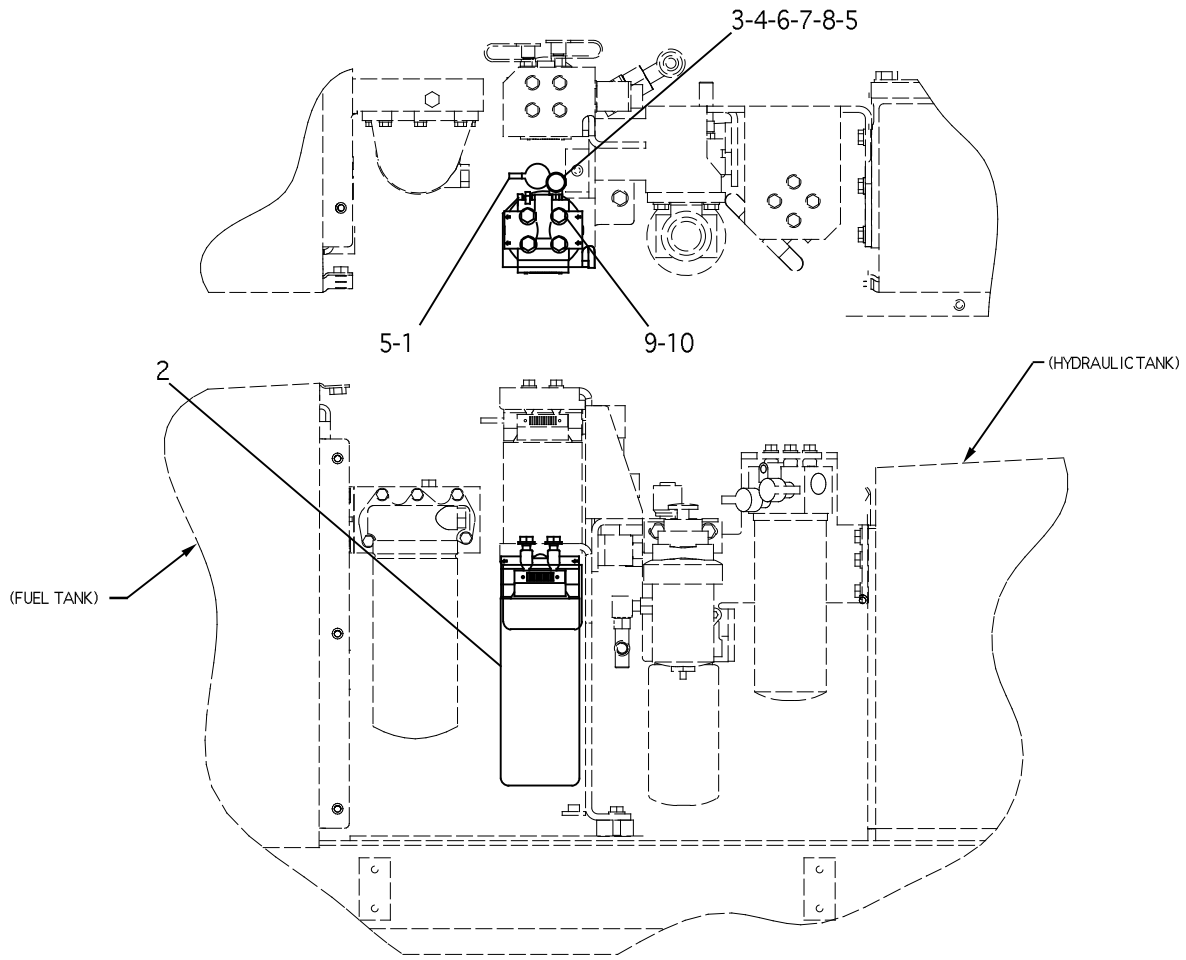
M - METRIC PART
Y - SEPARATE ILLUSTRATION

126625 FILTER GP & MOUNTING (TRANS OIL)

1226456-Page 331

Part of 1447168 Hydraulic Ar

HYDRAULIC SYSTEM



RIGHT SIDE VIEW

NOTE	REF NO	PART NUMBER	QTY	PART NAME	NOTE	REF NO	PART NUMBER	QTY	PART NAME
Y	1	6V0484	1	ADAPTER 90° (M,F-STOR)					
	2	1243611	1	FILTER GP-BASIC					
	3	1246889	1	VALVE AS					
	4	1503594	1	ELBOW 90° (M,F-STOR)					
	5	3J1907	2	SEAL-O-RING (ORB-OD 15.9)					
	6	3J7354	2	SEAL-O-RING (ORB-OD 12.5)					
	7	5P9617	1	ADAPTER (M,F-STOR 25 MM LG)					
	8	8T2353	1	ADAPTER (M,F-STOR 30 MM LG)					
	9	8T4121	4	WASHER-HARD					
	10	8T4136	4	BOLT-HEX HEAD					

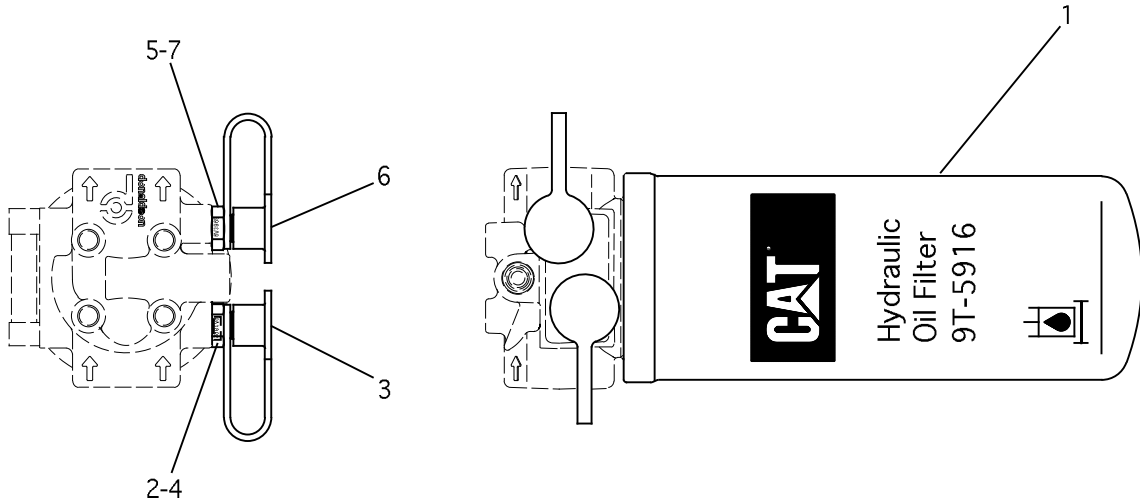
Y - SEPARATE ILLUSTRATION

126626 FILTER GP & MOUNTING (CHARGE OIL)

1243611-Page 332

Part of 1447168 Hydraulic Ar

HYDRAULIC SYSTEM

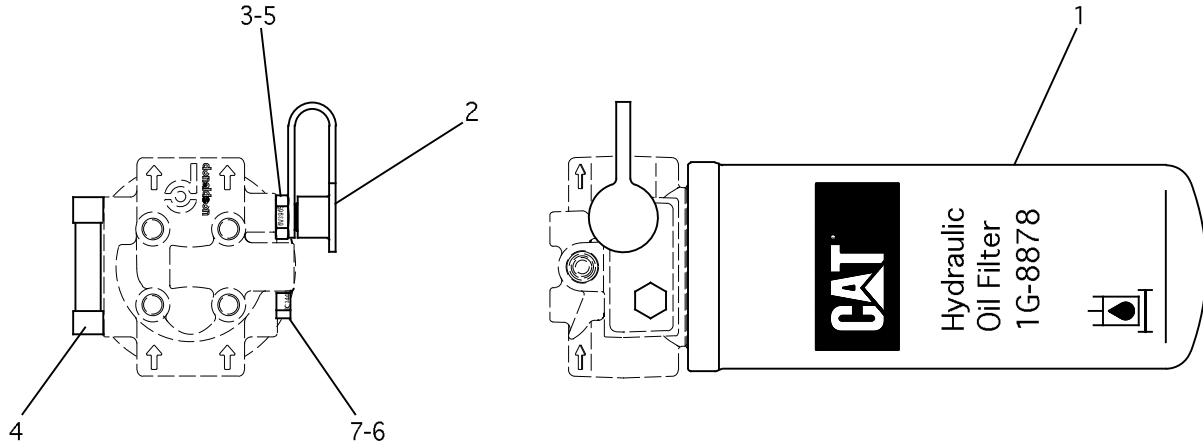


NOTE	REF NO	PART NUMBER	QTY	PART NAME	NOTE	REF NO	PART NUMBER	QTY	PART NAME
	1	9T5916	1	FILTER-OIL					
	2	8C3446	1	VALVE-SAMPLING					
	3	8C3447	1	CAP-DUST					
	4	3J7354	1	SEAL-O-RING (ORB-OD 12.5)					
	5	6V3965	1	NIPPLE AS					
	6	6V0852	1	CAP-DUST					
	7	3J1907	1	SEAL-O-RING (ORB-OD 15.9)					

1226456 FILTER GP-BASIC (TRANS OIL)

Part of 1266625 Filter Gp & Mounting (Trans Oil)

HYDRAULIC SYSTEM



NOTE	REF NO	PART NUMBER	QTY	PART NAME	NOTE	REF NO	PART NUMBER	QTY	PART NAME
	1	1G8878	1	FILTER					
	2	6V0852	1	CAP-DUST					
	3	6V3965	1	NIPPLE AS					
	4	1456635	1	INDICATOR					
		1335342	1	INDICATOR GP					
		1680268	2	SEAL-O-RING (OD 7.2)					
		1689239	2	SCREW					
	5	3J1907	1	SEAL-O-RING (ORB-OD 15.9)					
	6	3J7354	1	SEAL-O-RING (ORB-OD 12.5)					
	7	9S4182	1	PLUG-O-RING					

1243611 FILTER GP (HYD OIL)

Part of 1266570 and 1266626 Filter Gp & Mounting

HYDRAULIC SYSTEM

1	1266625	FILTER GP & MTG (TRANS OIL)	329
1	1266626	FILTER GP & MTG (CHARGE OIL).....	330
1	1448606	LINES GP-PT OIL	194
1	1448605	LINES GP-STEERING	284
1	1266624	MOTOR GP & MTG (STEERING)	290
1	1266623	PUMP GP & MTG (STEERING).....	291
1	1446666	TANK GP-HYD	376

1447168 HYDRAULIC AR
 Part of 1447162 General Ar

HYDRAULIC SYSTEM

2	1266565	ACCUMULATOR GP (FRONT TOP) ..	302
2	1266566	ACCUMULATOR GP (MID)	303
1	1293016	ACCUMULATOR GP (BRAKE)	304
1	1266570	FILTER GP & MTG (HYD OIL).....	328
1	1697418	LINES GP-ACCUMULATOR	336
1	1804169	LINES GP-ACCUMULATOR	343.00
1	1266555	LINES GP-ANGLE	405
1	1448600	LINES GP-ATTACH	344
1	1448614	LINES GP-BRAKE	266
1	1245847	LINES GP-LIFT CYLINDER	346
1	1266556	LINES GP-LIFT CYLINDER	406
1	1266559	LINES GP-PUMP (IMPLEMENT).....	350
1	1266557	LINES GP-TILT	352
1	1448609	LINES GP-WINCH	410
1	1448607	MANIFOLD GP (MULTI-FUNCTION) ..	355
1	1266567	PUMP GP & MTG (IMPLEMENT)	366
1	1266569	VALVE GP & MTG (BLADE)	390

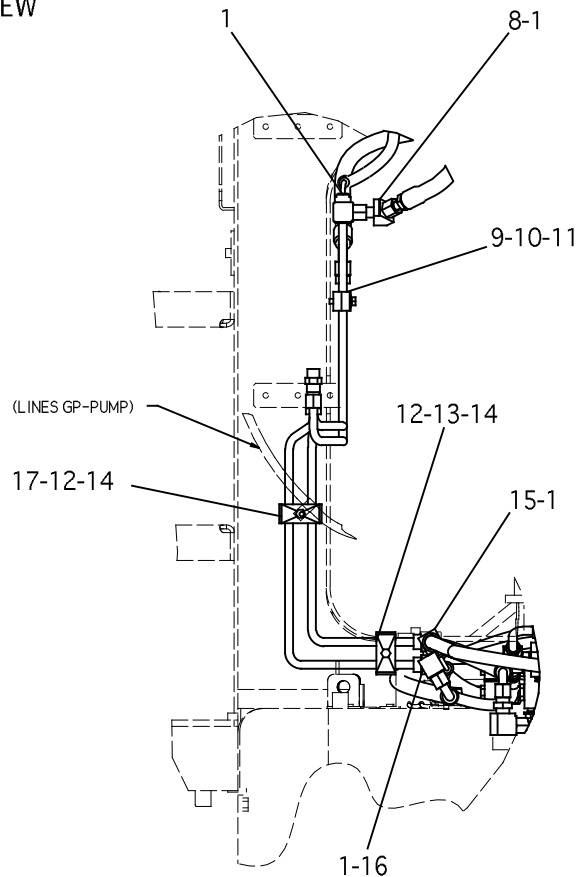
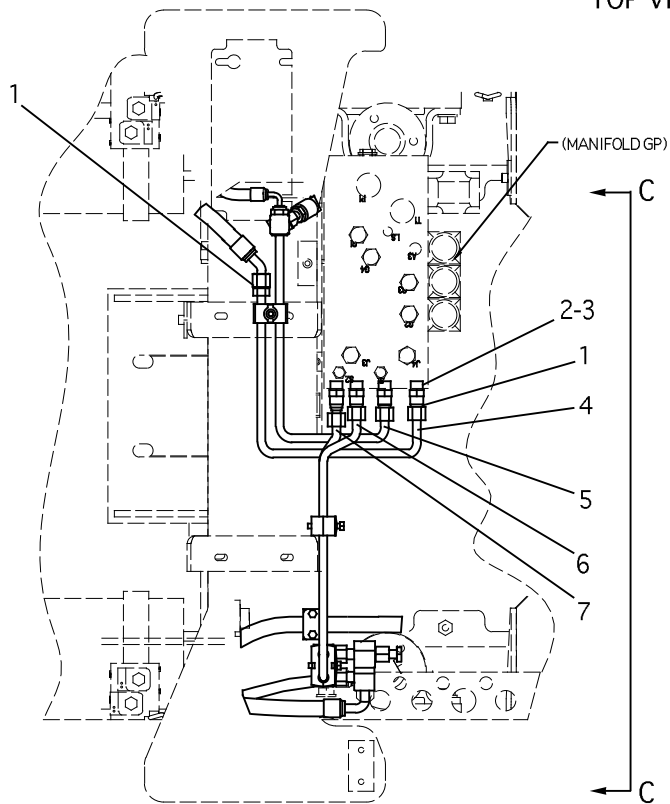
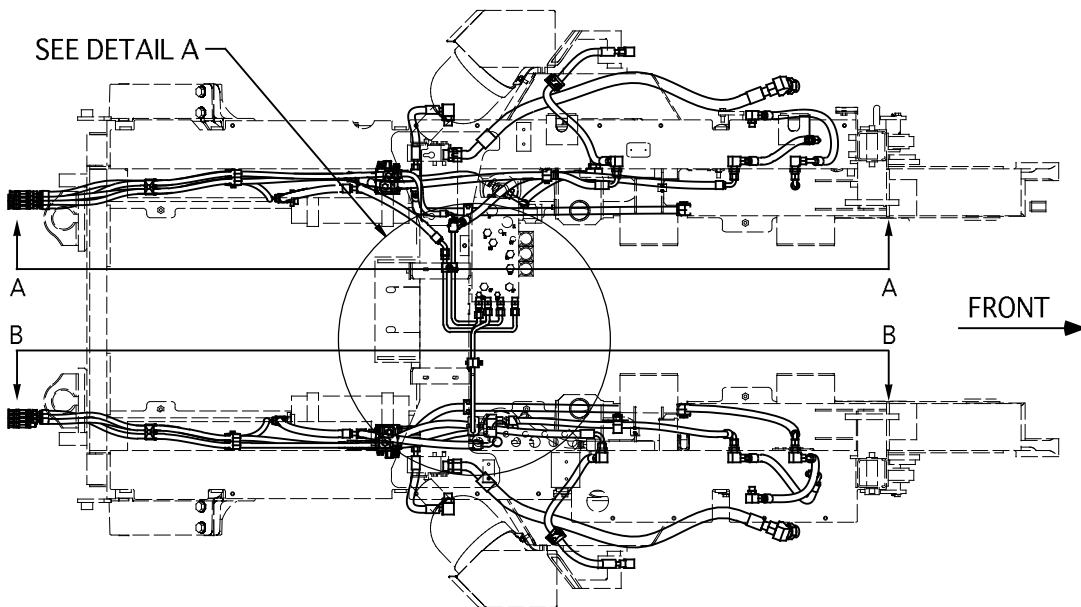
1447167 HYDRAULIC AR-AUX

Part of 1447162 General Ar

NOTES

A large, empty rectangular box with a black border, intended for handwritten notes.

HYDRAULIC SYSTEM



REFER TO ALL ILLUSTRATIONS OF THIS GROUP

1697418 LINES GP-ACCUMULATOR PART 1 OF 4

S/N 7RR00003 thru 77

Part of 1447167 Hydraulic Ar-Aux

HYDRAULIC SYSTEM

NOTE	REF NO	PART NUMBER	QTY	PART NAME	NOTE	REF NO	PART NUMBER	QTY	PART NAME
	1	6V8398	13	SEAL-O-RING (ORFS-OD 16)					
	2	6V8639	4	CONNECTOR (M-ORFS,M-STOR)					
	3	3K0360	4	SEAL-O-RING (ORB-OD 20.8)					
	4	1503129	1	TUBE AS					
		6V8554	1	NUT-ORFS					
		6V8561	1	SLEEVE-ORFS					
		6V8719	1	CONNECTOR (M-STOR,TUBE)					
	5	1503130	1	TUBE AS					
		6V8554	1	NUT-ORFS					
		6V8561	1	SLEEVE-ORFS					
	6	1493214	1	TUBE AS					
		6V8554	1	NUT-ORFS					
		6V8561	1	SLEEVE-ORFS					
	7	1493215	1	TUBE AS					
		6V8554	1	NUT-ORFS					
		6V8561	1	SLEEVE-ORFS					
	8	8C8989	1	ELBOW 45° (M,F-ORFS)					
	9	0869286	2	CLAMP-TWIN					
	10	8C6561	1	BOLT-HEX (5/16)					
	11	3V0046	1	PLATE					
	12	4V0612	2	PLATE					
	13	7X0440	1	BOLT-HEX (5/16)					
	14	6R0348	4	CLAMP					
	15	6V9837	1	TEE (M-ORFS,M-STOR,M-ORFS)					
	16	6V9851	1	ELBOW 90° (M,F-ORFS)					
	17	8T8911	1	BOLT-HEX					

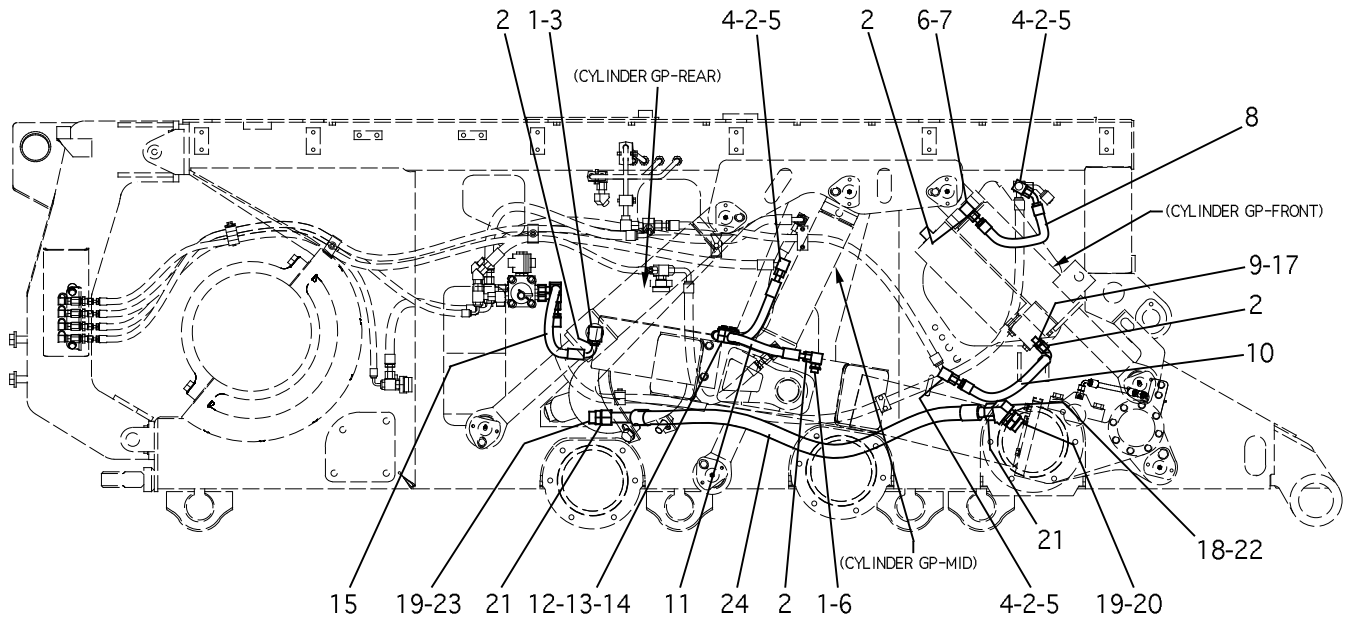
1697418 LINES GP-ACCUMULATOR PART 1 OF 4

S/N 7RR00003 thru 77

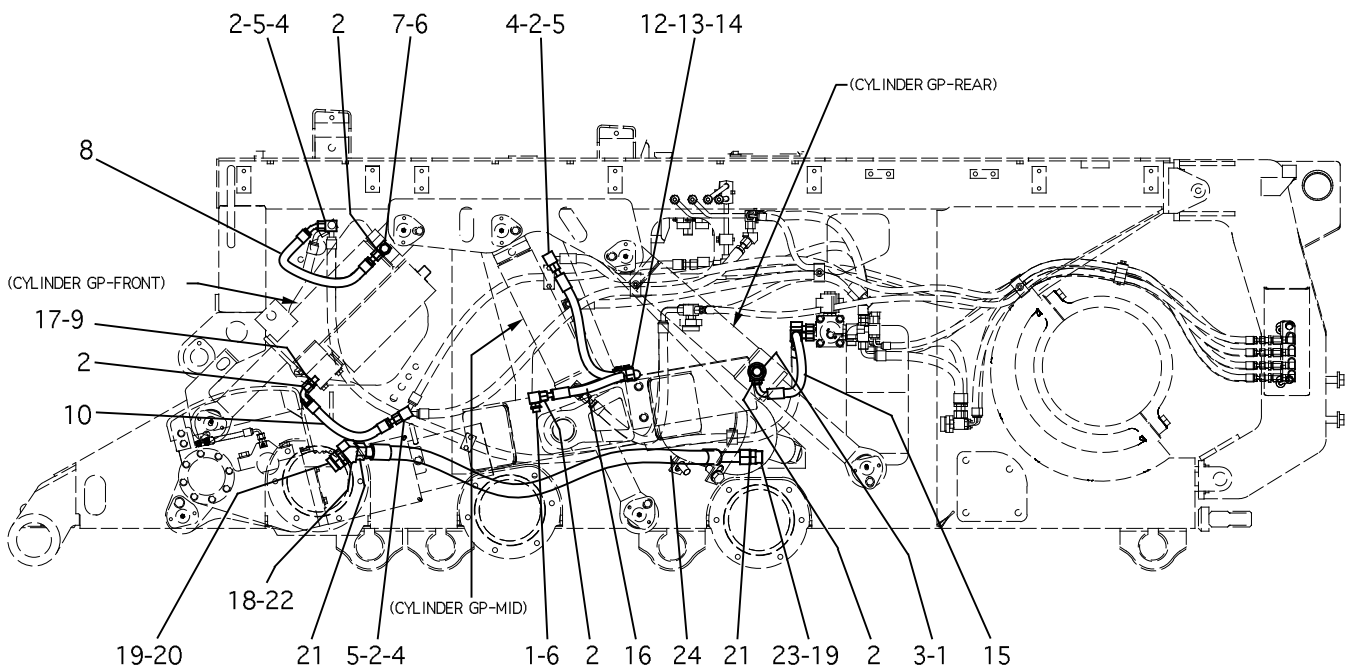
Part of 1447167 Hydraulic Ar-Aux

02

HYDRAULIC SYSTEM



R.H. SIDE VIEW



L.H. SIDE VIEW

REFER TO ALL ILLUSTRATIONS OF THIS GROUP

1697418 LINES GP-ACCUMULATOR PART 2 OF 4

S/N 7RR00003 thru 77

Part of 1447167 Hydraulic Ar-Aux

HYDRAULIC SYSTEM

NOTE	REF NO	PART NUMBER	QTY	PART NAME	NOTE	REF NO	PART NUMBER	QTY	PART NAME
	1	3D2824	4	SEAL-O-RING (ORB-OD 29.5)					
	2	6V8398	20	SEAL-O-RING (ORFS-OD 16)					
	3	8T5429	2	ELBOW 90° (M-ORFS,M-STOR)					
	4	6V8981	6	ELBOW 90° (M,F-ORFS)					
	5	6V9169	6	NUT-BULKHEAD					
	6	6V8625	4	ELBOW 90° (M-ORFS,M-STOR)					
	7	3K0360	2	SEAL-O-RING (ORB-OD 20.8)					
	8	1599622	2	HOSE AS					
E		1226890	47	HOSE-HYDRAULIC					
		1242117	1	COUPLING-HOSE (ORFS)					
		1242132	1	COUPLING 45° (ORFS)					
	9	6V9873	2	CONNECTOR (M-ORFS,M-STOR)					
	10	1599624	2	HOSE AS					
E		1226890	39	HOSE-HYDRAULIC					
		1242117	1	COUPLING-HOSE (ORFS)					
		1242147	1	COUPLING 90° (ORFS)					
	11	1642312	1	HOSE AS					
E		9S0671	68	HOSE-HYDRAULIC					
		6V9965	2	COUPLING-HOSE (ORFS)					
	12	4M5282	4	BOLT (1/4)					
	13	7V5628	2	PLATE					
	14	7V6089	4	CLAMP					
	15	1642316	2	HOSE AS					
E		9S0671	36	HOSE-HYDRAULIC					
		6V9965	1	COUPLING-HOSE (ORFS)					
		6V9967	1	COUPLING 90° (ORFS)					
	16	1642313	1	HOSE AS					
E		9S0671	81	HOSE-HYDRAULIC					
		6V9965	2	COUPLING-HOSE (ORFS)					
	17	3J1907	2	SEAL-O-RING (ORB-OD 15.9)					
	18	6V9005	2	ELBOW 45° (M-ORFS,M-STOR)					
	19	7M8485	4	SEAL-O-RING (ORB-OD 35.7)					
	20	7X2470	2	ADAPTER (M,F-STOR)					
	21	5K9090	4	SEAL-O-RING (ORFS-OD 28)					
	22	2S4078	2	SEAL-O-RING (ORB-OD 43.5)					
	23	6V8635	2	CONNECTOR (M-ORFS,M-STOR)					
	24	1682372	2	HOSE AS					
		6V9973	1	COUPLING-HOSE (ORFS)					
		6V9974	1	COUPLING 45° (ORFS)					

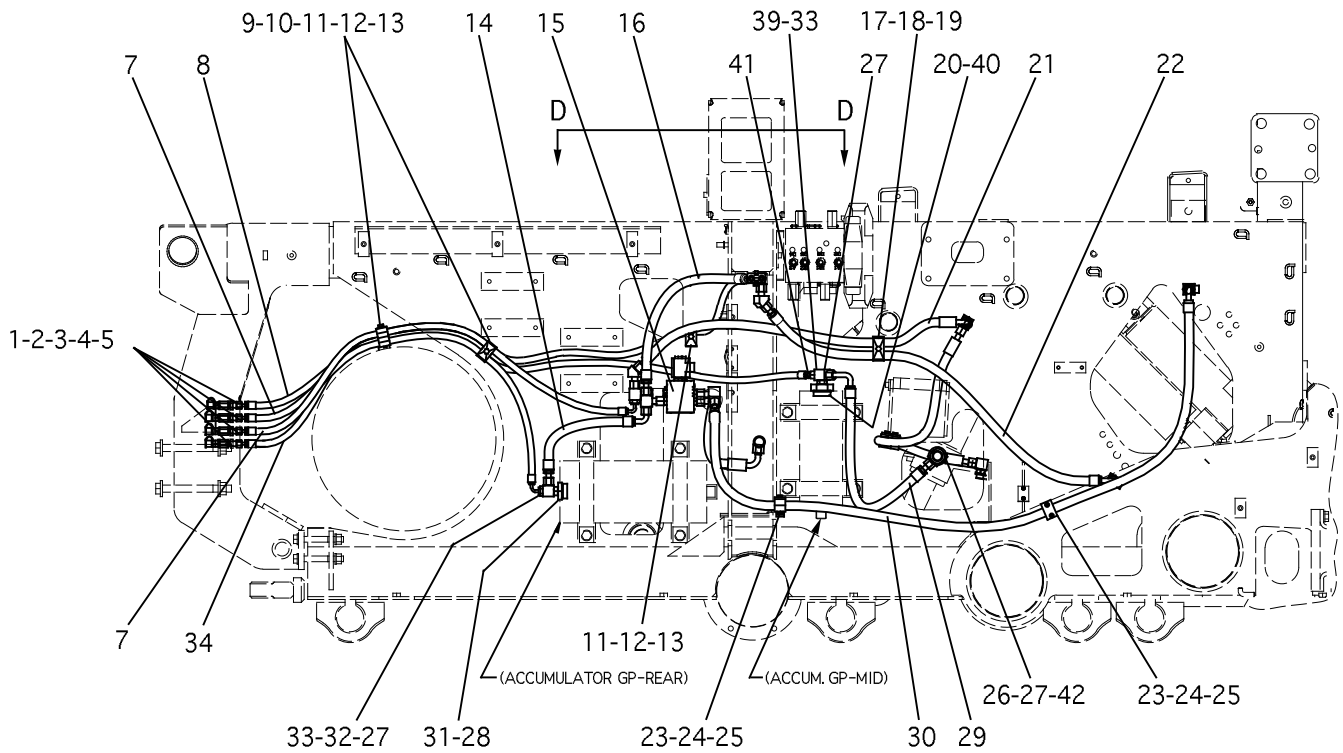
E - ORDER BY THE CENTIMETER

1697418 LINES GP-ACCUMULATOR PART 2 OF 4

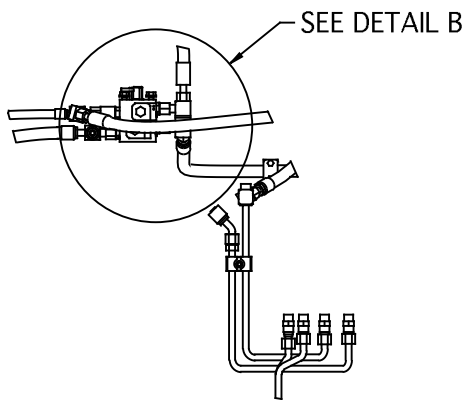
S/N 7RR00003 thru 77

Part of 1447167 Hydraulic Ar-Aux

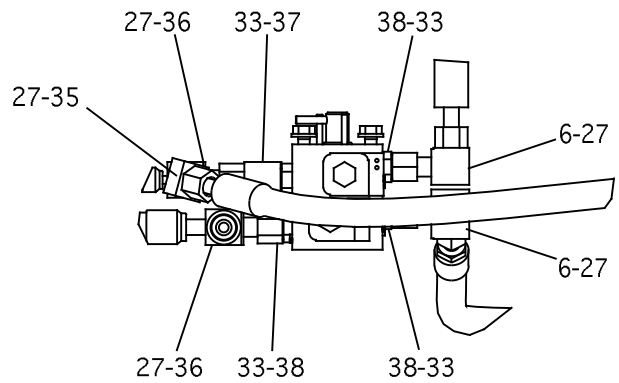
HYDRAULIC SYSTEM



VIEW A-A



VIEW D-D



DETAIL B

REFER TO ALL ILLUSTRATIONS OF THIS GROUP

1697418 LINES GP-ACCUMULATOR PART 3 OF 4

S/N 7RR00003 thru 77

Part of 1447167 Hydraulic Ar-Aux

HYDRAULIC SYSTEM

NOTE	REF NO	PART NUMBER	QTY	PART NAME	NOTE	REF NO	PART NUMBER	QTY	PART NAME
	1	7X5308	4	CAP-DUST		36	6V9844	2	TEE (M,M-ORFS,M-STOR)
	2	1484415	4	COUPLING (M-QUICK)		37	8T6338	1	TEE (M-ORFS,M,F-STOR)
	3	2P1279	4	LOCKNUT-BULKHEAD		38	6V8639	3	CONNECTOR (M-ORFS,M-STOR)
	4	4J5477	4	SEAL-O-RING (ORFS-OD 12.2)		39	8T6696	1	TEE (M,M-ORFS,M-STOR)
	5	7X7945	4	ADAPTER (M-ORFS,F-STOR)		40	6K6307	1	SEAL-O-RING (ORB-OD 49.7)
	6	6V9851	2	ELBOW 90° (M,F-ORFS)		41	6V8397	1	SEAL-O-RING (ORFS-OD 13.8)
	7	1599627	2	HOSE AS		42	3D2824	1	SEAL-O-RING (ORB-OD 29.5)
E		1226887	133	HOSE-HYDRAULIC					
		1242111	1	COUPLING 9/16-18 (ORFS)					
		1242142	1	COUPLING 90° (ORFS)					
	8	1599625	1	HOSE AS					
E		1226887	172	HOSE-HYDRAULIC					
		1242111	1	COUPLING 9/16-18 (ORFS)					
		1242113	1	COUPLING 11/16-16 (ORFS)					
	9	6W0210	2	BOLT (5/16)					
	10	7R7964	4	PLATE-SAFETY					
	11	3V0046	3	PLATE					
	12	8C6561	3	BOLT-HEX (5/16)					
	13	1G6094	10	CLAMP					
	14	1599623	1	HOSE AS					
E		1226890	41	HOSE-HYDRAULIC					
		1242117	1	COUPLING-HOSE (ORFS)					
		1242147	1	COUPLING 90° (ORFS)					
Y	15	1266575	1	VALVE GP & MTG					
	16	1019222	1	HOSE AS					
	17	7X0440	1	BOLT-HEX (5/16)					
	18	7V6659	2	CLAMP-DOUBLE					
	19	4V0612	1	PLATE					
	20	5P3903	1	ADAPTER-O-RING (M,F-STOR)					
	21	1642315	1	HOSE AS					
E		9S0671	91	HOSE-HYDRAULIC					
		6V9965	1	COUPLING-HOSE (ORFS)					
		6V9967	1	COUPLING 90° (ORFS)					
	22	1599618	1	HOSE AS					
E		1226890	124	HOSE-HYDRAULIC					
		1242117	1	COUPLING-HOSE (ORFS)					
		1242147	1	COUPLING 90° (ORFS)					
	23	7R7908	4	CLAMP					
	24	7V5628	2	PLATE					
	25	4M5282	4	BOLT (1/4)					
	26	8T5429	1	ELBOW 90° (M-ORFS,M-STOR)					
	27	6V8398	15	SEAL-O-RING (ORFS-OD 16)					
	28	5P8905	1	ADAPTER (M,F-STOR)					
	29	1599621	1	HOSE AS					
E		1226890	55	HOSE-HYDRAULIC					
		1242117	1	COUPLING-HOSE (ORFS)					
		1242162	1	COUPLING 90° (ORFS)					
	30	1095187	1	HOSE AS					
	31	2S4078	1	SEAL-O-RING (ORB-OD 43.5)					
	32	6V8782	1	TEE (M-ORFS,M-STOR,M-ORFS)					
	33	3K0360	6	SEAL-O-RING (ORB-OD 20.8)					
	34	1599626	1	HOSE AS					
E		1226887	175	HOSE-HYDRAULIC					
		1242111	1	COUPLING 9/16-18 (ORFS)					
		1242142	1	COUPLING 90° (ORFS)					
	35	8C8989	1	ELBOW 45° (M,F-ORFS)					

E - ORDER BY THE CENTIMETER
Y - SEPARATE ILLUSTRATION

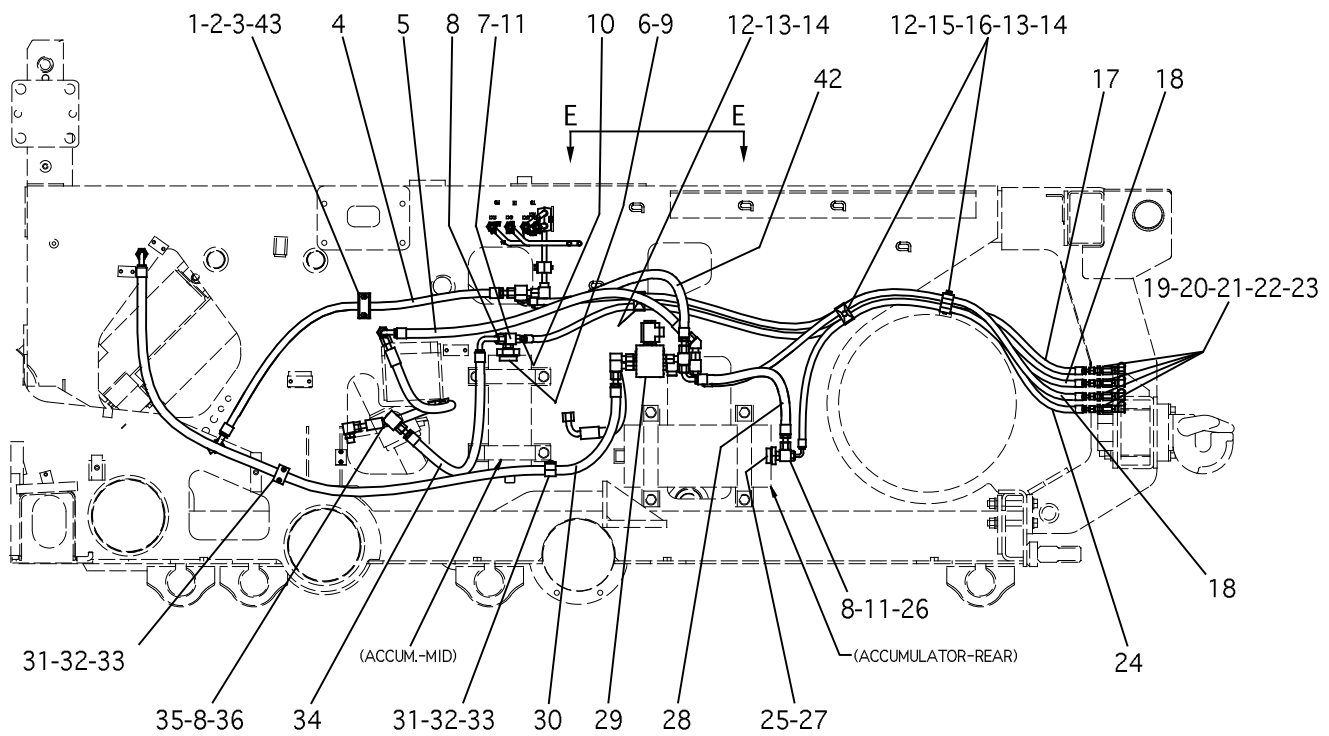
1697418 LINES GP-ACCUMULATOR PART 3 OF 4

S/N 7RR00003 thru 77

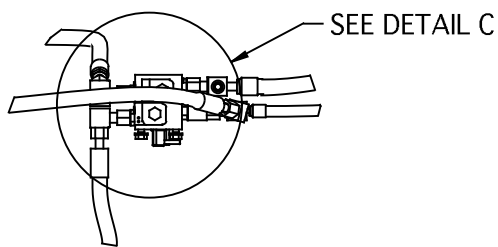
1266575-Page 392

Part of 1447167 Hydraulic Ar-Aux

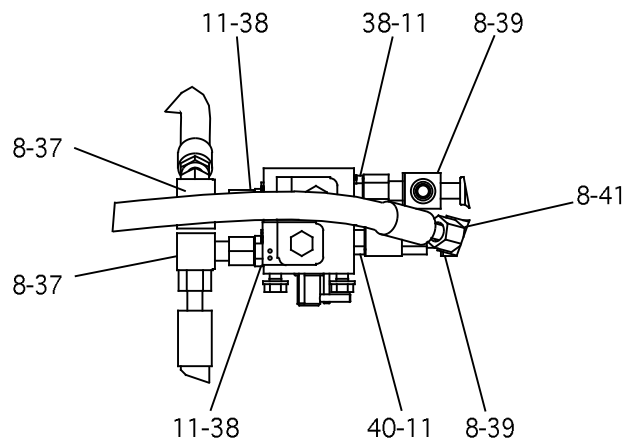
HYDRAULIC SYSTEM



VIEW B-B



VIEW E-E



DETAIL C

REFER TO ALL ILLUSTRATIONS OF THIS GROUP

1697418 LINES GP-ACCUMULATOR PART 4 OF 4

S/N 7RR00003 thru 77

Part of 1447167 Hydraulic Ar-Aux

HYDRAULIC SYSTEM

NOTE	REF NO	PART NUMBER	QTY	PART NAME	NOTE	REF NO	PART NUMBER	QTY	PART NAME
	1	7R7951	1	PLATE (OUTER)		39	6V9844	2	TEE (M,M-ORFS,M-STOR)
	2	7X0264	2	BOLT-HEX (1/4-20)		40	8T6338	1	TEE (M-ORFS,M,F-STOR)
	3	7R7938	2	CLAMP-PIPE		41	8C8989	1	ELBOW 45° (M,F-ORFS)
	4	1724008	1	HOSE AS		42	1093262	1	HOSE AS
E		1226890	99	HOSE-HYDRAULIC		43	7R7955	1	PLATE (INNER-LOCKING)
		1242132	1	COUPLING 45° (ORFS)					
		1242147	1	COUPLING 90° (ORFS)					
	5	1642314	1	HOSE AS					
E		9S0671	86	HOSE-HYDRAULIC					
		6V9965	1	COUPLING-HOSE (ORFS)					
		6V9967	1	COUPLING 90° (ORFS)					
	6	5P3903	1	ADAPTER-O-RING (M,F-STOR)					
	7	8T6696	1	TEE (M,M-ORFS,M-STOR)					
	8	6V8398	15	SEAL-O-RING (ORFS-OD 16)					
	9	6K6307	1	SEAL-O-RING (ORB-OD 49.7)					
	10	6V8397	1	SEAL-O-RING (ORFS-OD 13.8)					
	11	3K0360	6	SEAL-O-RING (ORB-OD 20.8)					
	12	1G6094	10	CLAMP					
	13	3V0046	3	PLATE					
	14	8C6561	3	BOLT-HEX (5/16)					
	15	6W0210	2	BOLT (5/16)					
	16	7R7964	4	PLATE-SAFETY					
	17	1599625	1	HOSE AS					
E		1226887	172	HOSE-HYDRAULIC					
		1242111	1	COUPLING 9/16-18 (ORFS)					
		1242113	1	COUPLING 11/16-16 (ORFS)					
	18	1599627	2	HOSE AS					
E		1226887	133	HOSE-HYDRAULIC					
		1242111	1	COUPLING 9/16-18 (ORFS)					
		1242142	1	COUPLING 90° (ORFS)					
	19	7X7945	4	ADAPTER (M-ORFS,F-STOR)					
	20	1484415	4	COUPLING (M-QUICK)					
	21	2P1279	4	LOCKNUT-BULKHEAD					
	22	4J5477	4	SEAL-O-RING (ORFS-OD 12.2)					
	23	7X5308	4	CAP-DUST					
	24	1599626	1	HOSE AS					
E		1226887	175	HOSE-HYDRAULIC					
		1242111	1	COUPLING 9/16-18 (ORFS)					
		1242142	1	COUPLING 90° (ORFS)					
	25	5P8905	1	ADAPTER (M,F-STOR)					
	26	6V8782	1	TEE (M-ORFS,M-STOR,M-ORFS)					
	27	2S4078	1	SEAL-O-RING (ORB-OD 43.5)					
	28	1260584	1	HOSE AS					
Y	29	1266575	1	VALVE GP & MTG					
	30	1095187	1	HOSE AS					
	31	4M5282	4	BOLT (1/4)					
	32	7V5628	2	PLATE					
	33	7R7908	4	CLAMP					
	34	1599621	1	HOSE AS					
E		1226890	55	HOSE-HYDRAULIC					
		1242117	1	COUPLING-HOSE (ORFS)					
		1242162	1	COUPLING 90° (ORFS)					
	35	3D2824	1	SEAL-O-RING (ORB-OD 29.5)					
	36	8T5429	1	ELBOW 90° (M-ORFS,M-STOR)					
	37	6V9851	2	ELBOW 90° (M,F-ORFS)					
	38	6V8639	3	CONNECTOR (M-ORFS,M-STOR)					

E - ORDER BY THE CENTIMETER
 Y - SEPARATE ILLUSTRATION

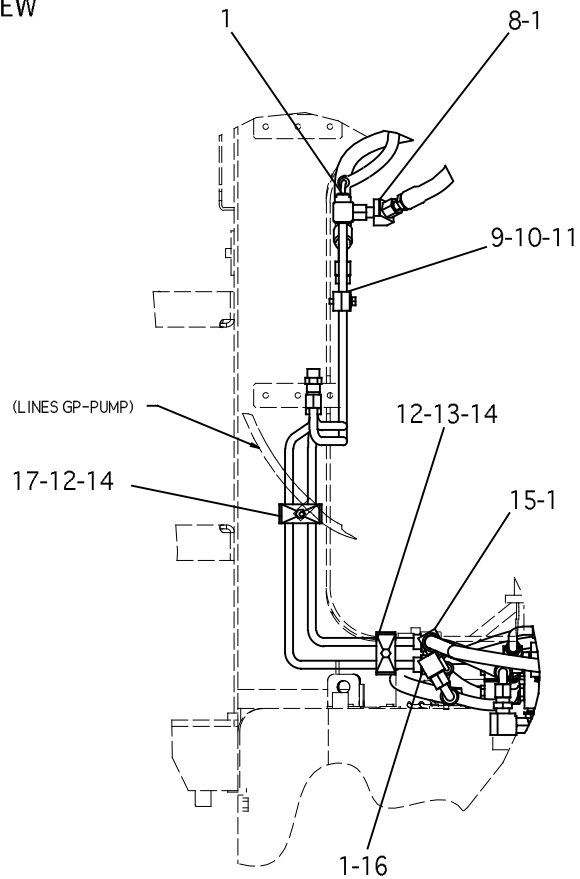
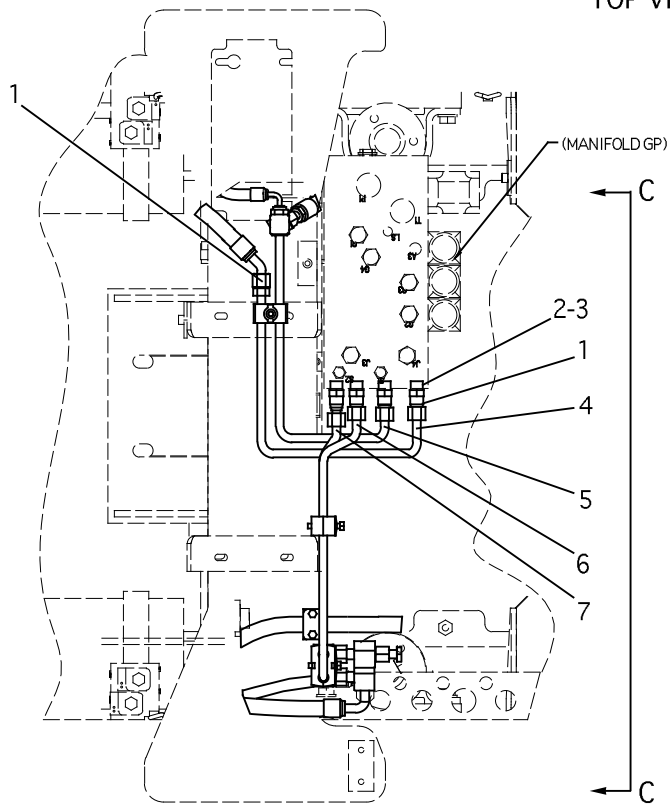
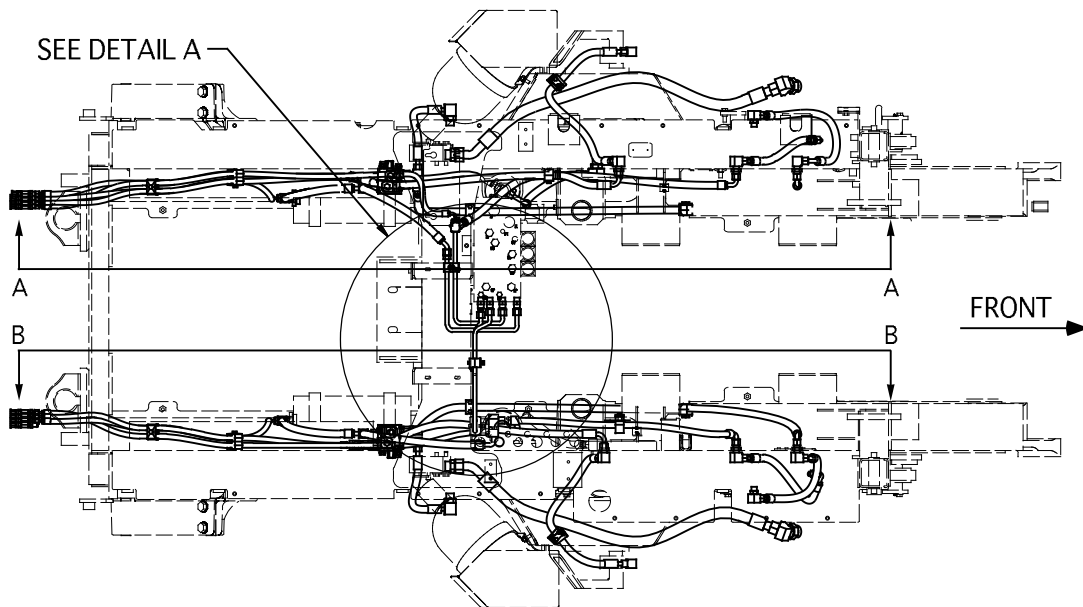
1697418 LINES GP-ACCUMULATOR PART 4 OF 4

S/N 7RR00003 thru 77

1266575-Page 392

Part of 1447167 Hydraulic Ar-Aux

HYDRAULIC SYSTEM



REFER TO ALL ILLUSTRATIONS OF THIS GROUP

1804169 LINES GP-ACCUMULATOR PART 1 OF 4

S/N 7RR00078-Up

Part of 1447167 Hydraulic Ar-Aux

HYDRAULIC SYSTEM

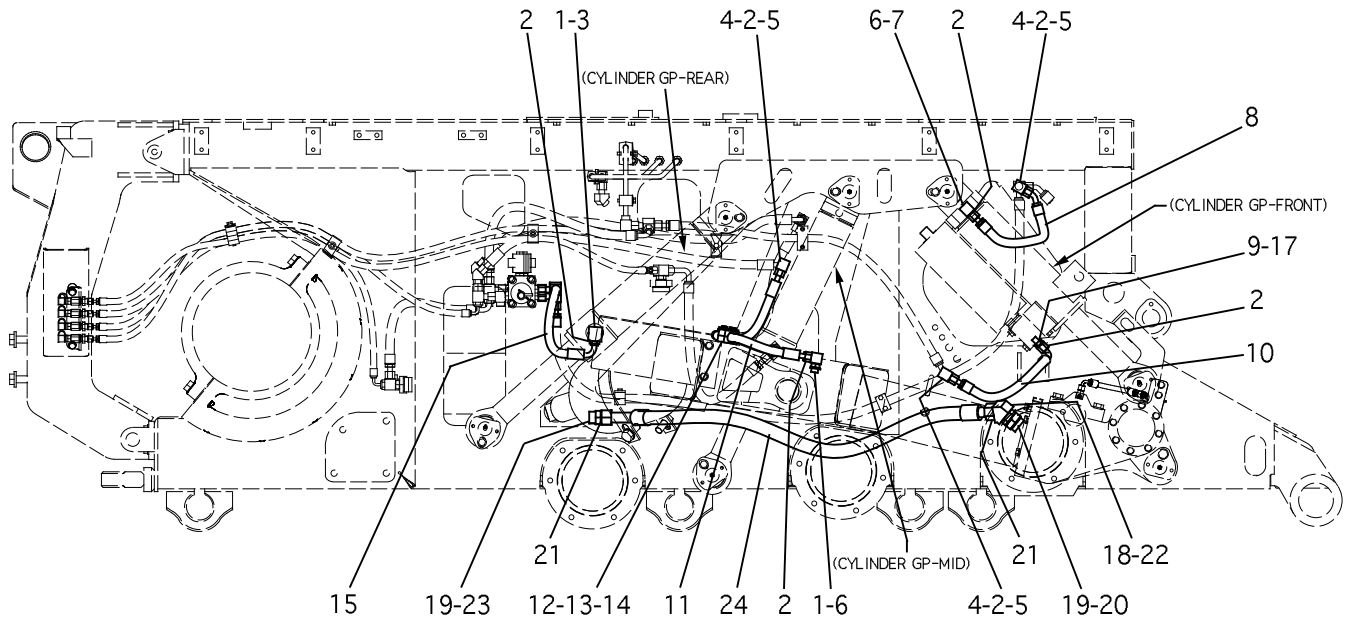
NOTE	REF NO	PART NUMBER	QTY	PART NAME	NOTE	REF NO	PART NUMBER	QTY	PART NAME
	1	6V8398	13	SEAL-O-RING (ORFS-OD 16)					
	2	6V8639	4	CONNECTOR (M-ORFS,M-STOR)					
	3	3K0360	4	SEAL-O-RING (ORB-OD 20.8)					
	4	1503129	1	TUBE AS					
		6V8554	1	NUT-ORFS					
		6V8561	1	SLEEVE-ORFS					
		6V8719	1	CONNECTOR (M-STOR,TUBE)					
	5	1503130	1	TUBE AS					
		6V8554	1	NUT-ORFS					
		6V8561	1	SLEEVE-ORFS					
	6	1493214	1	TUBE AS					
		6V8554	1	NUT-ORFS					
		6V8561	1	SLEEVE-ORFS					
	7	1493215	1	TUBE AS					
		6V8554	1	NUT-ORFS					
		6V8561	1	SLEEVE-ORFS					
	8	8C8989	1	ELBOW 45° (M,F-ORFS)					
	9	0869286	2	CLAMP-TWIN					
	10	8C6561	1	BOLT-HEX (5/16)					
	11	3V0046	1	PLATE					
	12	4V0612	2	PLATE					
	13	7X0440	1	BOLT-HEX (5/16)					
	14	6R0348	4	CLAMP					
	15	6V9837	1	TEE (M-ORFS,M-STOR,M-ORFS)					
	16	6V9851	1	ELBOW 90° (M,F-ORFS)					
	17	8T8911	1	BOLT-HEX					

1804169 LINES GP-ACCUMULATOR PART 1 OF 4

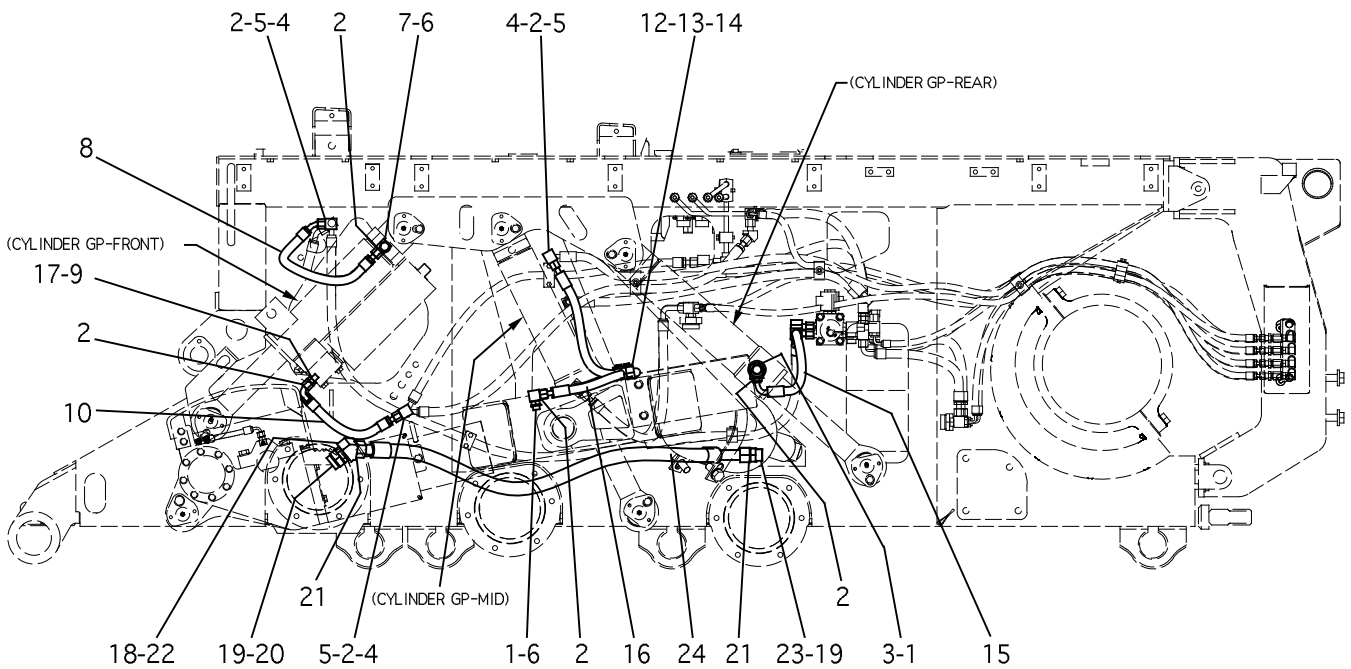
S/N 7RR00078-Up

Part of 1447167 Hydraulic Ar-Aux

HYDRAULIC SYSTEM



R.H. SIDE VIEW



L.H. SIDE VIEW

REFER TO ALL ILLUSTRATIONS OF THIS GROUP

1804169 LINES GP-ACCUMULATOR PART 2 OF 4

S/N 7RR00078-Up

Part of 1447167 Hydraulic Ar-Aux

HYDRAULIC SYSTEM

NOTE	REF NO	PART NUMBER	QTY	PART NAME	NOTE	REF NO	PART NUMBER	QTY	PART NAME
	1	3D2824	4	SEAL-O-RING (ORB-OD 29.5)					
	2	6V8398	20	SEAL-O-RING (ORFS-OD 16)					
	3	8T5429	2	ELBOW 90° (M-ORFS,M-STOR)					
	4	6V8981	6	ELBOW 90° (M,F-ORFS)					
	5	6V9169	6	NUT-BULKHEAD					
	6	6V8625	4	ELBOW 90° (M-ORFS,M-STOR)					
	7	3K0360	2	SEAL-O-RING (ORB-OD 20.8)					
	8	1599622	2	HOSE AS					
E		1226890	47	HOSE-HYDRAULIC					
		1242117	1	COUPLING-HOSE (ORFS)					
		1242132	1	COUPLING-HOSE 45° (ORFS)					
	9	6V9873	2	CONNECTOR (M-ORFS,M-STOR)					
	10	1599624	2	HOSE AS					
E		1226890	39	HOSE-HYDRAULIC					
		1242117	1	COUPLING-HOSE (ORFS)					
		1242147	1	COUPLING-HOSE 90° (ORFS)					
	11	1789110	1	HOSE AS					
		3S8606	1	SLEEVE					
		6V9949	2	STEM AS-COLLET					
		6V9965	2	COUPLING-HOSE (ORFS)					
		1089656	2	STRAP-CABLE					
E		1650017	68	HOSE-HYDRAULIC					
E		1602245	72	SLEEVE-ABRASION					
	12	7X0264	4	BOLT (1/4-20)					
	13	7R7951	2	PLATE (OUTER)					
	14	7R7939	4	CLAMP-PIPE					
	15	1642316	2	HOSE AS					
E		9S9671	36	HOSE-HYDRAULIC					
		6V9965	1	COUPLING-HOSE (ORFS)					
		6V9967	1	COUPLING-HOSE 90° (ORFS)					
	16	1789109	2	HOSE AS					
		3S8606	1	SLEEVE					
		6V9949	2	STEM AS-COLLET					
		6V9965	2	COUPLING-HOSE (ORFS)					
		1089656	2	STRAP-CABLE					
E		1650017	81	HOSE-HYDRAULIC					
E		1602245	86	SLEEVE-ABRASION					
	17	3J1907	2	SEAL-O-RING (ORB-OD 15.9)					
	18	6V9005	2	ELBOW 45° (M-ORFS,M-STOR)					
	19	7M8485	4	SEAL-O-RING (ORB-OD 35.7)					
	20	7X2470	2	ADAPTER (M,F-STOR)					
	21	5K9090	4	SEAL-O-RING (ORFS-OD 28)					
	22	2S4078	2	SEAL-O-RING (ORB-OD 43.5)					
	23	6V8635	2	CONNECTOR (M-ORFS,M-STOR)					
	24	1682372	2	HOSE AS					
		6V9973	1	COUPLING-HOSE (ORFS)					
		6V9974	1	COUPLING-HOSE 90° (ORFS)					

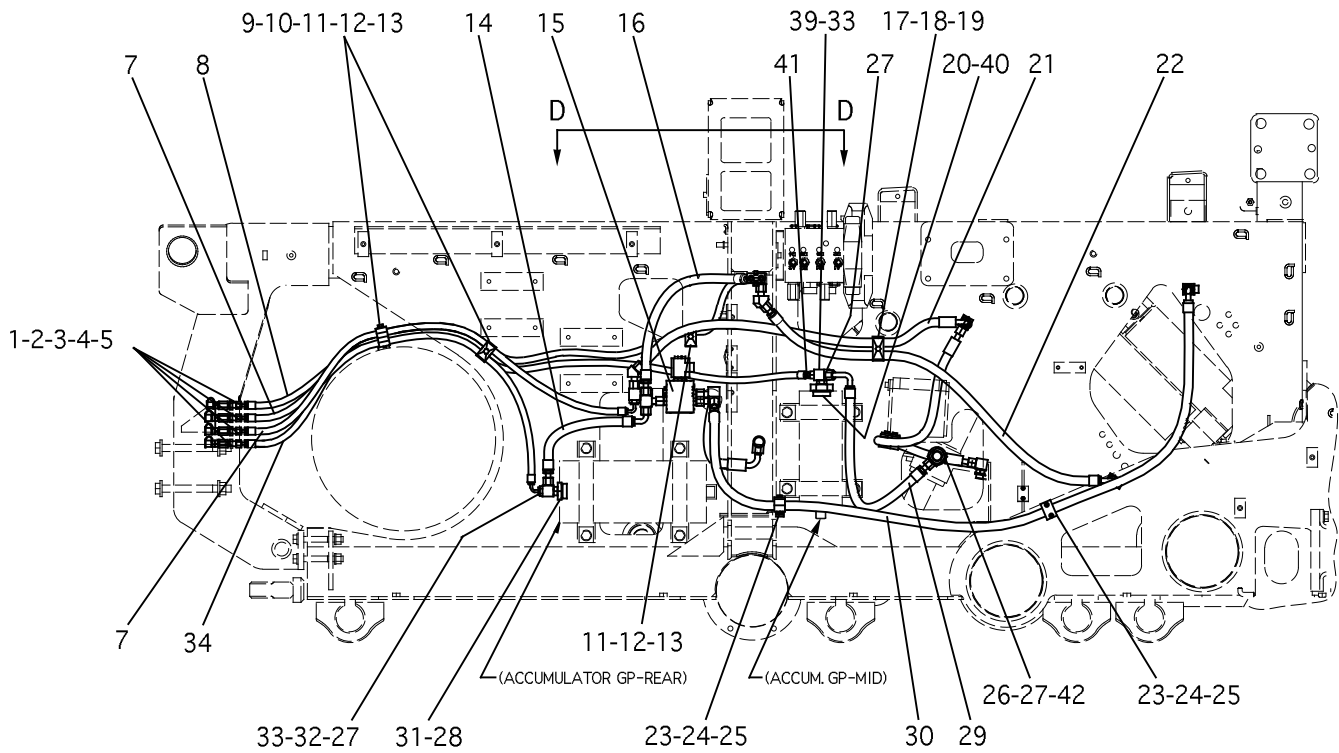
E - ORDER BY THE CENTIMETER

1804169 LINES GP-ACCUMULATOR PART 2 OF 4

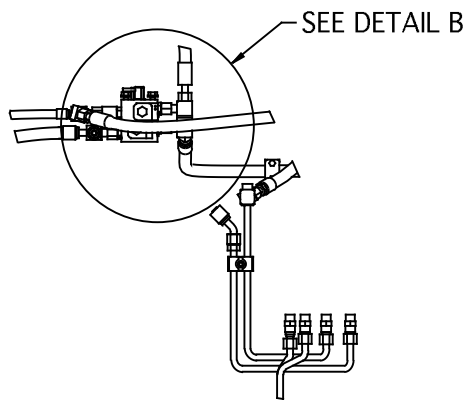
S/N 7RR00078-Up

Part of 1447167 Hydraulic Ar-Aux

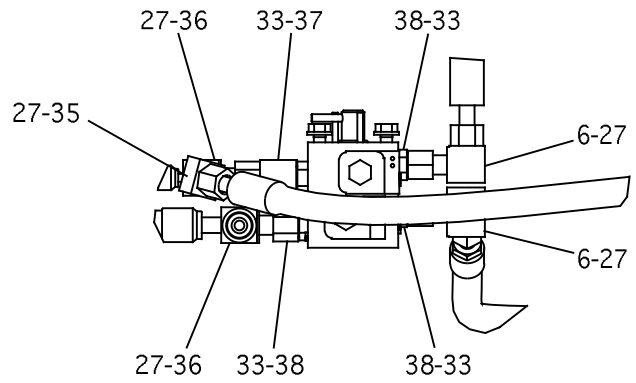
HYDRAULIC SYSTEM



VIEW A-A



VIEW D-D



DETAIL B

REFER TO ALL ILLUSTRATIONS OF THIS GROUP

1804169 LINES GP-ACCUMULATOR PART 3 OF 4

S/N 7RR00078-Up

Part of 1447167 Hydraulic Ar-Aux

HYDRAULIC SYSTEM

NOTE	REF NO	PART NUMBER	QTY	PART NAME	NOTE	REF NO	PART NUMBER	QTY	PART NAME
	1	7X5308	4	CAP-DUST		36	6V9844	2	TEE (M,M-ORFS,M-STOR)
	2	1484415	4	COUPLING (M-QUICK)		37	8T6338	1	TEE (M-ORFS,M,F-STOR)
	3	2P1279	4	LOCKNUT-BULKHEAD		38	6V8639	3	CONNECTOR (M-ORFS,M-STOR)
	4	4J5477	4	SEAL-O-RING (ORFS-OD 12.2)		39	8T6696	1	TEE (M,M-ORFS,M-STOR)
	5	7X7945	4	ADAPTER (M-ORFS,F-STOR)		40	6K6307	1	SEAL-O-RING (ORB-OD 49.7)
	6	6V9851	2	ELBOW 90° (M,F-ORFS)		41	6V8397	1	SEAL-O-RING (ORFS-OD 13.8)
	7	1599627	2	HOSE AS		42	3D2824	1	SEAL-O-RING (ORB-OD 29.5)
E		1226887	133	HOSE-HYDRAULIC					
		1242111	1	COUPLING 9/16-18 (ORFS)					
		1242142	1	COUPLING-HOSE 90° (ORFS)					
E	8	1599625	1	HOSE AS					
		1226887	172	HOSE-HYDRAULIC					
		1242111	1	COUPLING 9/16-18 (ORFS)					
		1242113	1	COUPLING 11/16-16 (ORFS)					
	9	6W0210	2	BOLT (5/16)					
	10	7R7964	4	PLATE-SAFETY					
	11	3V0046	3	PLATE					
	12	8C6561	3	BOLT-HEX (5/16)					
	13	1G6094	10	CLAMP					
E	14	1599623	1	HOSE AS					
		1226890	41	HOSE-HYDRAULIC					
		1242117	1	COUPLING-HOSE (ORFS)					
		1242147	1	COUPLING-HOSE 90° (ORFS)					
Y	15	1266575	1	VALVE GP & MTG					
	16	1019222	1	HOSE AS					
	17	7X0440	1	BOLT-HEX (5/16)					
	18	7V6659	2	CLAMP-DOUBLE					
	19	4V0612	1	PLATE					
	20	5P3903	1	ADAPTER-O-RING (M,F-STOR)					
E	21	1642315	1	HOSE AS					
		9S0671	91	HOSE-HYDRAULIC					
		6V9965	1	COUPLING-HOSE (ORFS)					
		6V9967	1	COUPLING-HOSE 90° (ORFS)					
E	22	1599618	1	HOSE AS					
		1226890	124	HOSE-HYDRAULIC					
		1242117	1	COUPLING-HOSE (ORFS)					
		1242147	1	COUPLING-HOSE 90° (ORFS)					
	23	7R7908	4	CLAMP					
	24	7V5628	2	PLATE					
	25	4M5282	4	BOLT (1/4)					
	26	8T5429	1	ELBOW 90° (M-ORFS,M-STOR)					
	27	6V8398	15	SEAL-O-RING (ORFS-OD 16)					
	28	5P8905	1	ADAPTER (M,F-STOR)					
E	29	1599621	1	HOSE AS					
		1226890	55	HOSE-HYDRAULIC					
		1242117	1	COUPLING-HOSE (ORFS)					
		1242162	1	COUPLING-HOSE 90° (ORFS)					
	30	1095187	1	HOSE AS					
	31	2S4078	1	SEAL-O-RING (ORB-OD 43.5)					
	32	6V8782	1	TEE (M-ORFS,M-STOR,M-ORFS)					
	33	3K0360	6	SEAL-O-RING (ORB-OD 20.8)					
E	34	1863633	1	HOSE AS					
		1226867	180	HOSE-HYDRAULIC					
		1242111	1	COUPLING 9/16-18 (ORFS)					
		1242142	1	COUPLING-HOSE 90° (ORFS)					
	35	8C8989	1	ELBOW 45° (M,F-ORFS)					

E - ORDER BY THE CENTIMETER
Y - SEPARATE ILLUSTRATION

1804169 LINES GP-ACCUMULATOR PART 3 OF 4

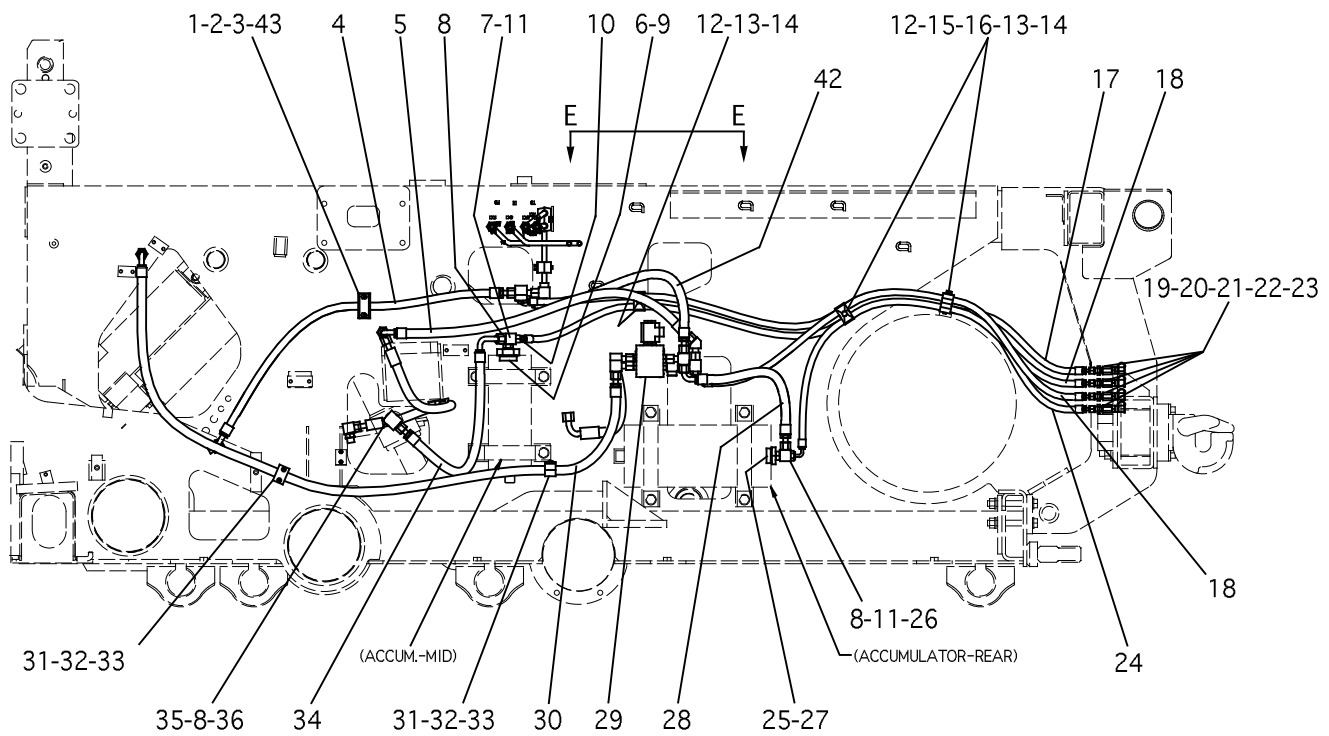
S/N 7RR00078-Up

1266575-Page 392

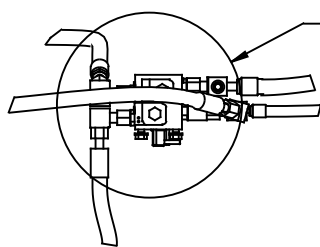
Part of 1447167 Hydraulic Ar-Aux

01

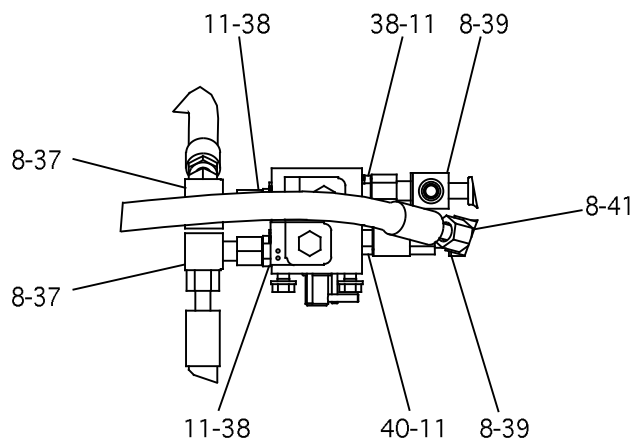
HYDRAULIC SYSTEM



VIEW B-B



VIEW E-E



DETAIL C

REFER TO ALL ILLUSTRATIONS OF THIS GROUP

1804169 LINES GP-ACCUMULATOR PART 4 OF 4

S/N 7RR00078-Up

Part of 1447167 Hydraulic Ar-Aux

HYDRAULIC SYSTEM

NOTE	REF NO	PART NUMBER	QTY	PART NAME	NOTE	REF NO	PART NUMBER	QTY	PART NAME
	1	7R7951	1	PLATE (OUTER)		39	6V9844	2	TEE (M,M-ORFS,M-STOR)
	2	7X0264	2	BOLT-HEX (1/4-20)		40	8T6338	1	TEE (M-ORFS,M,F-STOR)
	3	7R7938	2	CLAMP-PIPE		41	8C8989	1	ELBOW 45° (M,F-ORFS)
	4	1724008	1	HOSE AS		42	1093262	1	HOSE AS
E		1226890	99	HOSE-HYDRAULIC		43	7R7955	1	PLATE (INNER-LOCKING)
		1242132	1	COUPLING-HOSE 45° (ORFS)					
		1242147	1	COUPLING-HOSE 90° (ORFS)					
	5	1642314	1	HOSE AS					
E		9S0671	86	HOSE-HYDRAULIC					
		6V9965	1	COUPLING-HOSE (ORFS)					
		6V9967	1	COUPLING-HOSE 90° (ORFS)					
	6	5P3903	1	ADAPTER-O-RING (M,F-STOR)					
	7	8T6696	1	TEE (M,M-ORFS,M-STOR)					
	8	6V8398	15	SEAL-O-RING (ORFS-OD 16)					
	9	6K6307	1	SEAL-O-RING (ORB-OD 49.7)					
	10	6V8397	1	SEAL-O-RING (ORFS-OD 13.8)					
	11	3K0360	6	SEAL-O-RING (ORB-OD 20.8)					
	12	1G6094	10	CLAMP					
	13	3V0046	3	PLATE					
	14	8C6561	3	BOLT-HEX (5/16)					
	15	6W0210	2	BOLT (5/16)					
	16	7R7964	4	PLATE-SAFETY					
	17	1599625	1	HOSE AS					
E		1226887	172	HOSE-HYDRAULIC					
		1242111	1	COUPLING 9/16-18 (ORFS)					
		1242113	1	COUPLING 11/16-16 (ORFS)					
	18	1599627	2	HOSE AS					
E		1226887	133	HOSE-HYDRAULIC					
		1242111	1	COUPLING 9/16-18 (ORFS)					
		1242142	1	COUPLING-HOSE 90° (ORFS)					
	19	7X7945	4	ADAPTER (M-ORFS,F-STOR)					
	20	1484415	4	COUPLING (M-QUICK)					
	21	2P1279	4	LOCKNUT-BULKHEAD					
	22	4J5477	4	SEAL-O-RING (ORFS-OD 12.2)					
	23	7X5308	4	CAP-DUST					
	24	1863633	1	HOSE AS					
E		1226867	180	HOSE-HYDRAULIC					
		1242111	1	COUPLING 9/16-18 (ORFS)					
		1242142	1	COUPLING-HOSE 90° (ORFS)					
	25	5P8905	1	ADAPTER (M,F-STOR)					
	26	6V8782	1	TEE (M-ORFS,M-STOR,M-ORFS)					
	27	2S4078	1	SEAL-O-RING (ORB-OD 43.5)					
	28	1260584	1	HOSE AS					
Y	29	1266575	1	VALVE GP & MTG					
	30	1095187	1	HOSE AS					
	31	4M5282	4	BOLT (1/4)					
	32	7V5628	2	PLATE					
	33	7R7908	4	CLAMP					
	34	1599621	1	HOSE AS					
E		1226890	55	HOSE-HYDRAULIC					
		1242117	1	COUPLING-HOSE (ORFS)					
		1242162	1	COUPLING-HOSE 90° (ORFS)					
	35	3D2824	1	SEAL-O-RING (ORB-OD 29.5)					
	36	8T5429	1	ELBOW 90° (M-ORFS,M-STOR)					
	37	6V9851	2	ELBOW 90° (M,F-ORFS)					
	38	6V8639	3	CONNECTOR (M-ORFS,M-STOR)					

E - ORDER BY THE CENTIMETER
 Y - SEPARATE ILLUSTRATION

1804169 LINES GP-ACCUMULATOR PART 4 OF 4

S/N 7RR00078-Up

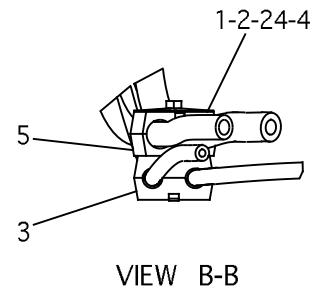
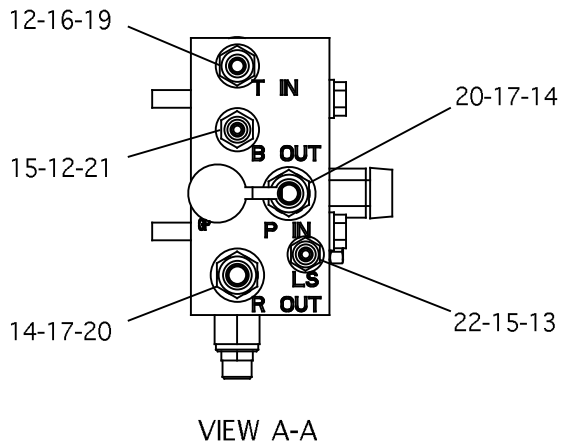
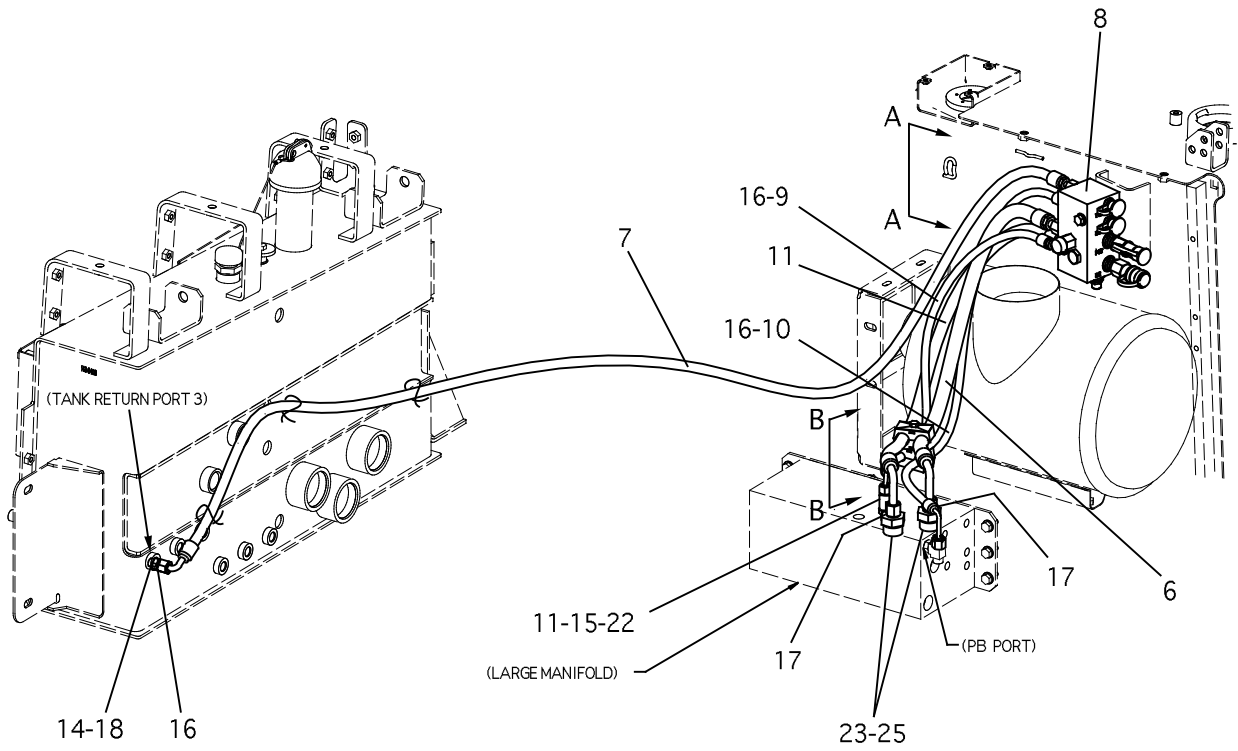
1266575-Page 392

Part of 1447167 Hydraulic Ar-Aux

343.07

01

HYDRAULIC SYSTEM



1448600 LINES GP-ATTACHMENT
Part of 1447167 Hydraulic Ar-Aux

HYDRAULIC SYSTEM

NOTE	REF NO	PART NUMBER	QTY	PART NAME	NOTE	REF NO	PART NUMBER	QTY	PART NAME
	1	4V0612	1	PLATE					
	2	4V0939	1	BOLT (5/16-18 X 44 MM LG)					
	3	7R7962	2	CLAMP					
	4	7R7964	1	PLATE-SAFETY					
	5	8V5718	2	CLAMP-DOUBLE					
	6	1243866	1	HOSE AS					
	7	1442549	1	HOSE AS					
Y	8	1449734	1	MANIFOLD GP					
	9	1549817	1	HOSE AS					
	10	1549818	1	HOSE AS					
	11	1549819	1	HOSE AS					
	12	3J1907	2	SEAL-O-RING (ORB-OD 15.9)					
	13	3J7354	1	SEAL-O-RING (ORB-OD 12.5)					
	14	3K0360	3	SEAL-O-RING (ORB-OD 20.8)					
	15	4J5477	2	SEAL-O-RING (ORFS-OD 12.2)					
	16	6V8397	4	SEAL-O-RING (ORFS-OD 13.8)					
	17	6V8398	4	SEAL-O-RING (ORFS-OD 16)					
	18	6V8634	1	CONNECTOR (M-ORFS,M-STOR)					
	19	6V8636	1	CONNECTOR (M-ORFS,M-STOR)					
	20	6V8639	2	CONNECTOR (M-ORFS,M-STOR)					
	21	6V8641	1	CONNECTOR (M-ORFS,M-STOR)					
	22	6V8647	1	CONNECTOR (M-ORFS,M-STOR)					
	23	7M8485	2	SEAL-O-RING (ORB-OD 35.7)					
	24	7X0440	1	BOLT (5/16-18 X 56 MM LG)					
	25	9X8408	2	CONNECTOR (M-ORFS,M-STOR)					

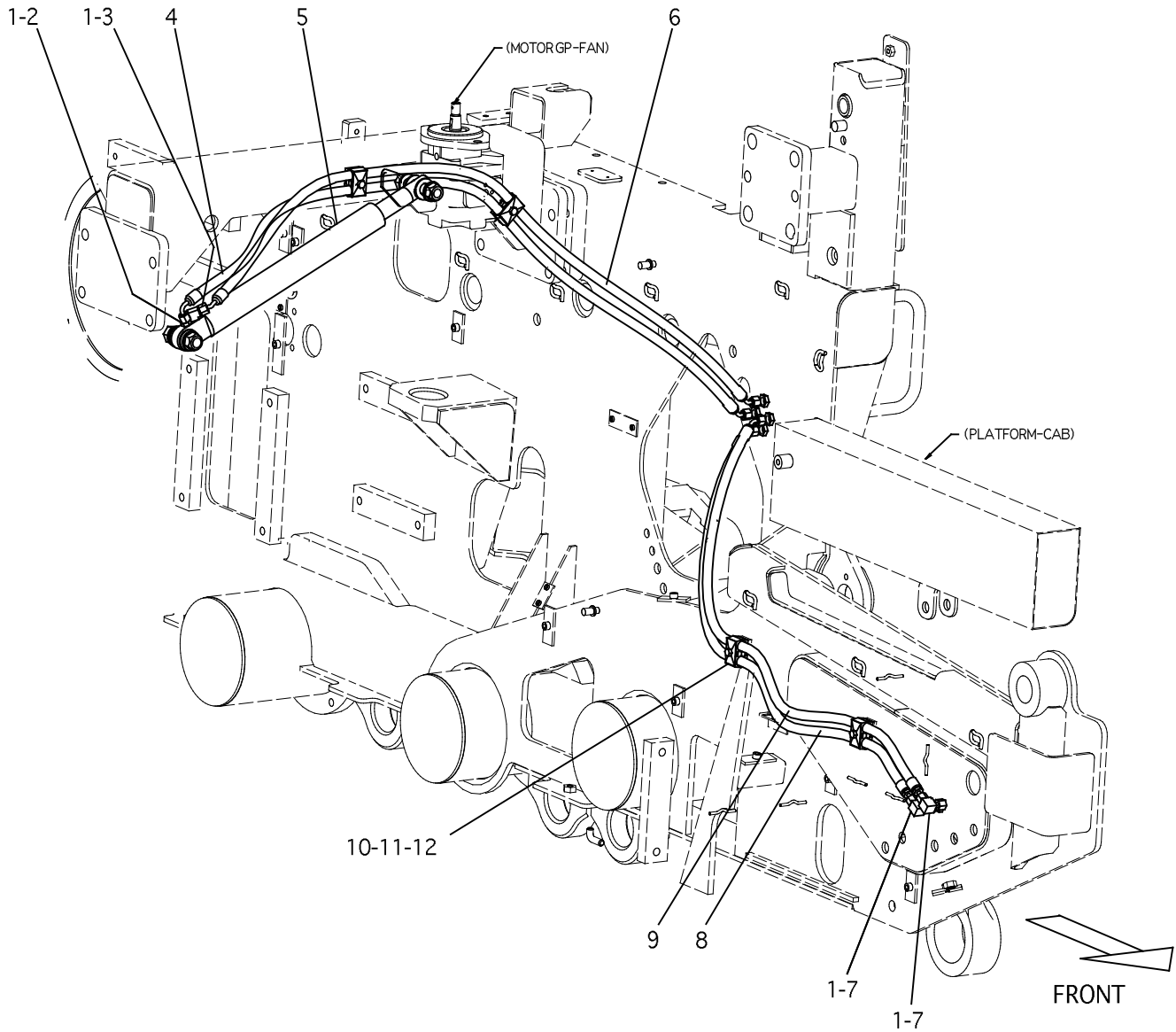
Y - SEPARATE ILLUSTRATION

1448600 LINES GP-ATTACHMENT

1449734-Page 356

Part of 1447167 Hydraulic Ar-Aux

HYDRAULIC SYSTEM



VIEW OF INSIDE FRAME L.H. SIDE

REFER TO ALL ILLUSTRATIONS OF THIS GROUP

1245847 LINES GP-LIFT CYL PART 1 OF 2
Part of 1447167 Hydraulic Ar-Aux

HYDRAULIC SYSTEM

NOTE	REF NO	PART NUMBER	QTY	PART NAME	NOTE	REF NO	PART NUMBER	QTY	PART NAME
Y	1	4J5477	4	SEAL-O-RING (ORFS-OD 12.2)					
	2	8C6865	1	CONNECTOR (M-ORFS,M-NPTF)					
	3	7X0492	1	ELBOW 90° (M-ORFS,M-STOR)					
	4	1549777	1	HOSE AS					
		1242128	1	COUPLING-HOSE 45° (ORFS)					
		1242140	1	COUPLING-HOSE 90° (ORFS)					
	5	1245855	1	CYL GP & MOUNTING					
	6	1549776	1	HOSE AS					
		1242128	2	COUPLING-HOSE 45° (ORFS)					
	7	6V9849	2	ELBOW 90° (M,F-ORFS)					
	8	1549774	1	HOSE AS					
		1242111	1	COUPLING 9/16-18 (ORFS)					
	1242128	1	COUPLING-HOSE 45° (ORFS)						
9	1549775	1	HOSE AS						
	1242111	1	COUPLING 9/16-18 (ORFS)						
	1242128	1	COUPLING-HOSE 45° (ORFS)						
10	1G6094	8	CLAMP						
11	8C6561	4	BOLT (5/16)						
12	3V0046	4	PLATE						

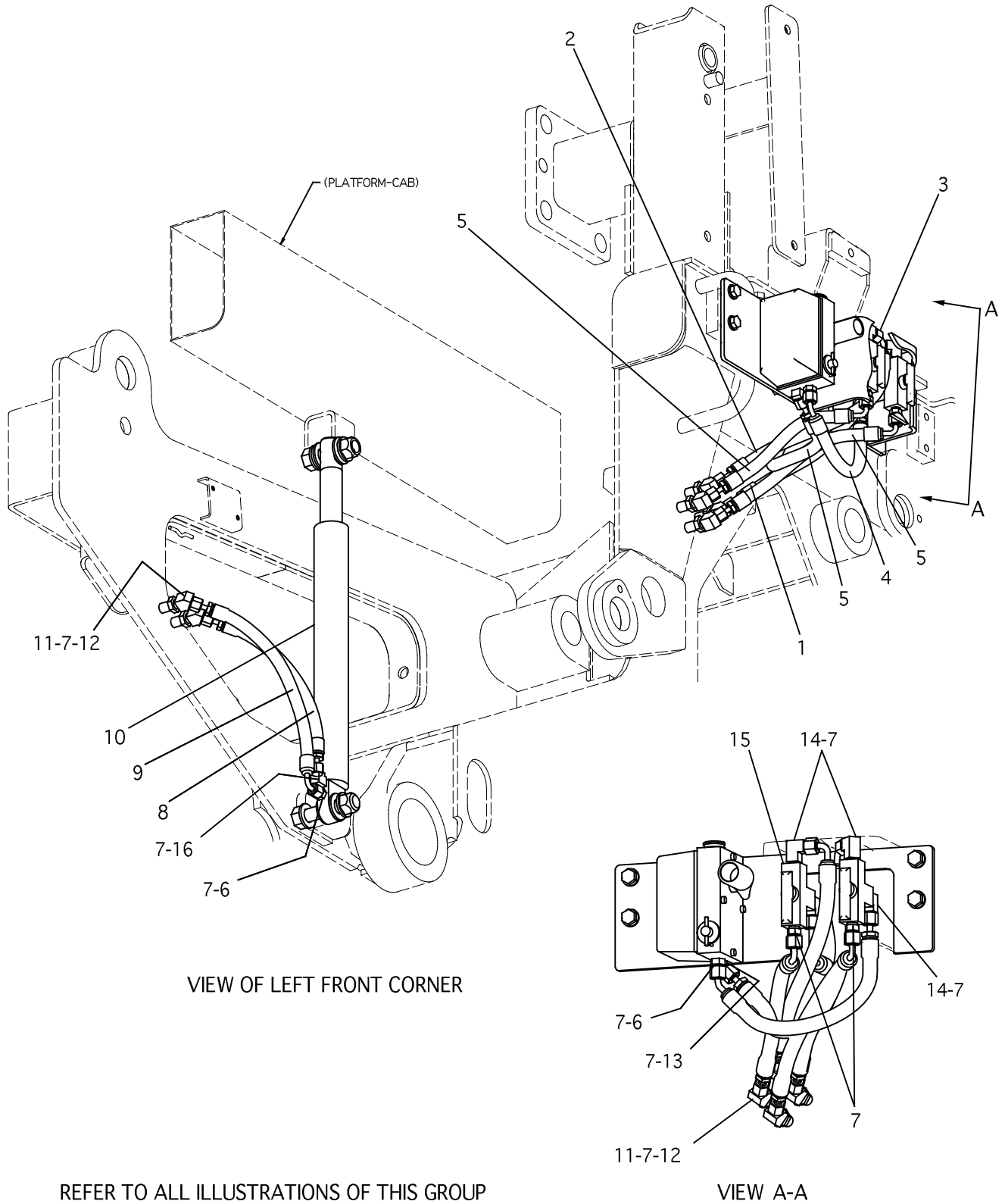
Y - SEPARATE ILLUSTRATION

1245847 LINES GP-LIFT CYL PART 1 OF 2

1245855-Page 325

Part of 1447167 Hydraulic Ar-Aux

HYDRAULIC SYSTEM



1245847 LINES GP-LIFT CYL PART 2 OF 2
Part of 1447167 Hydraulic Ar-Aux

HYDRAULIC SYSTEM

NOTE	REF NO	PART NUMBER	QTY	PART NAME	NOTE	REF NO	PART NUMBER	QTY	PART NAME
	1	6E1865	1	HOSE AS					
	2	1549772	1	HOSE AS					
		1242111	1	COUPLING 9/16-18 (ORFS)					
		1242140	1	COUPLING 90° (ORFS)					
Y	3	1304551	1	PUMP GP & MTG					
	4	1549773	1	HOSE AS					
		1242111	1	COUPLING 9/16-18 (ORFS)					
		1242128	1	COUPLING 45° (ORFS)					
	5	1549771	3	HOSE AS					
		1242111	3	COUPLING 9/16-18 (ORFS)					
		1242158	3	COUPLING 90° (ORFS)					
	6	8C6865	2	CONNECTOR (M-ORFS,M-NPTF)					
	7	4J5477	22	SEAL-O-RING (ORFS-OD 12.2)					
	8	1549770	1	HOSE AS					
		1242111	2	COUPLING 9/16-18 (ORFS)					
	9	7R7407	1	HOSE AS					
Y	10	1245853	1	CYL GP & MOUNTING					
	11	2P1279	6	LOCKNUT-BULKHEAD					
	12	6V8986	6	ELBOW 45° (M,F-ORFS)					
	13	7R6728	1	ADAPTER 45° (M-ORFS,M-NPTF)					
	14	6V9849	4	ELBOW 90° (M,F-ORFS)					
	15	1802590	2	VALVE GP-MANUAL					
		4J5477	3	SEAL-O-RING (ORFS-OD 12.2)					
		1732072	1	HANDLE					
	16	7X0492	1	ELBOW 90° (M-ORFS,M-STOR)					

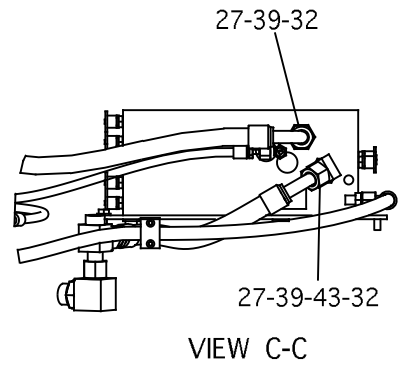
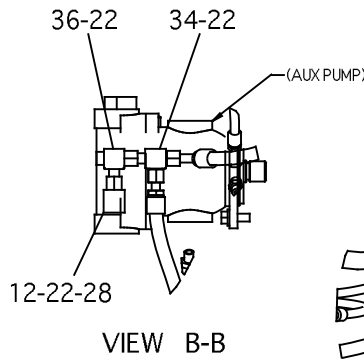
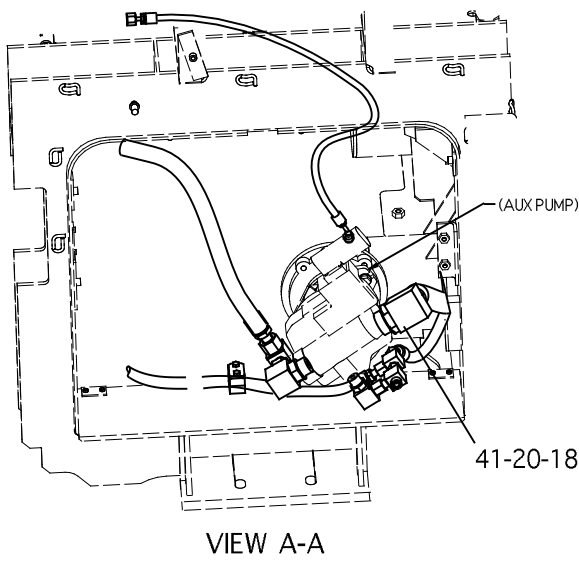
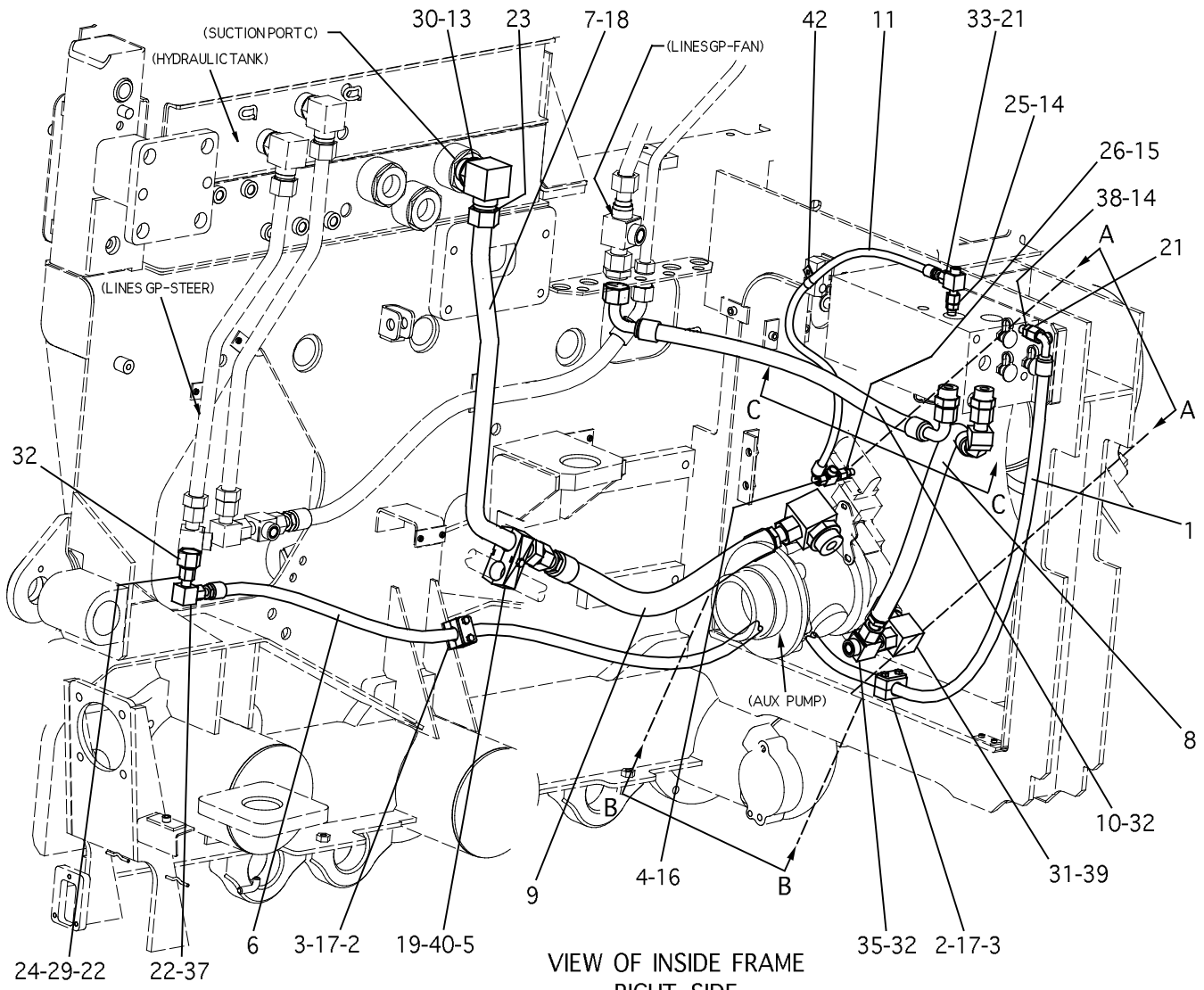
Y - SEPARATE ILLUSTRATION

1245847 LINES GP-LIFT CYL PART 2 OF 2

1304551-Page 367, 1245853-Page 324

Part of 1447167 Hydraulic Ar-Aux

HYDRAULIC SYSTEM



126659 LINES GP-PUMP (IMPLEMENT)
Part of 1447167 Hydraulic Ar-Aux

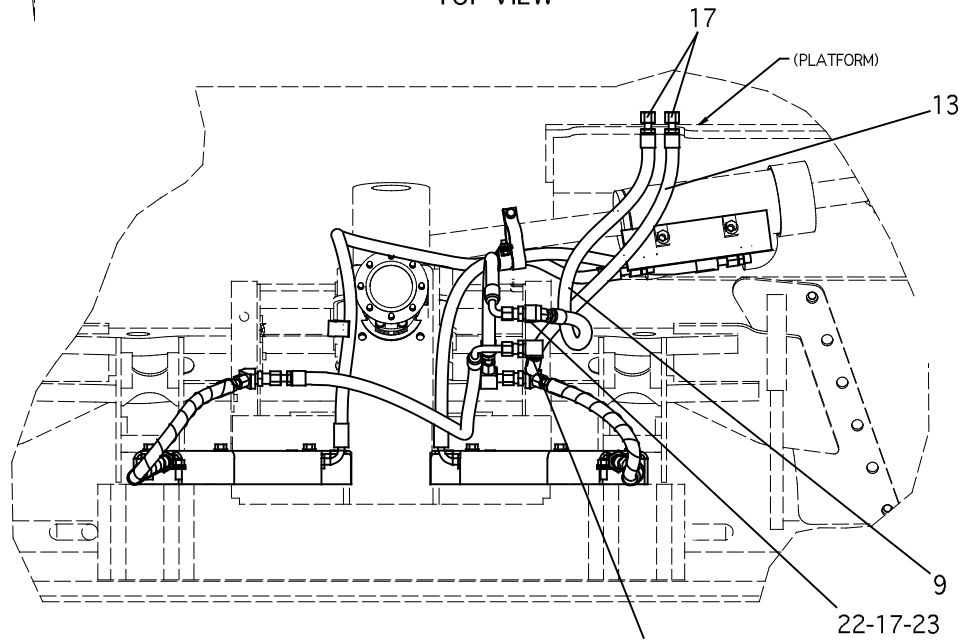
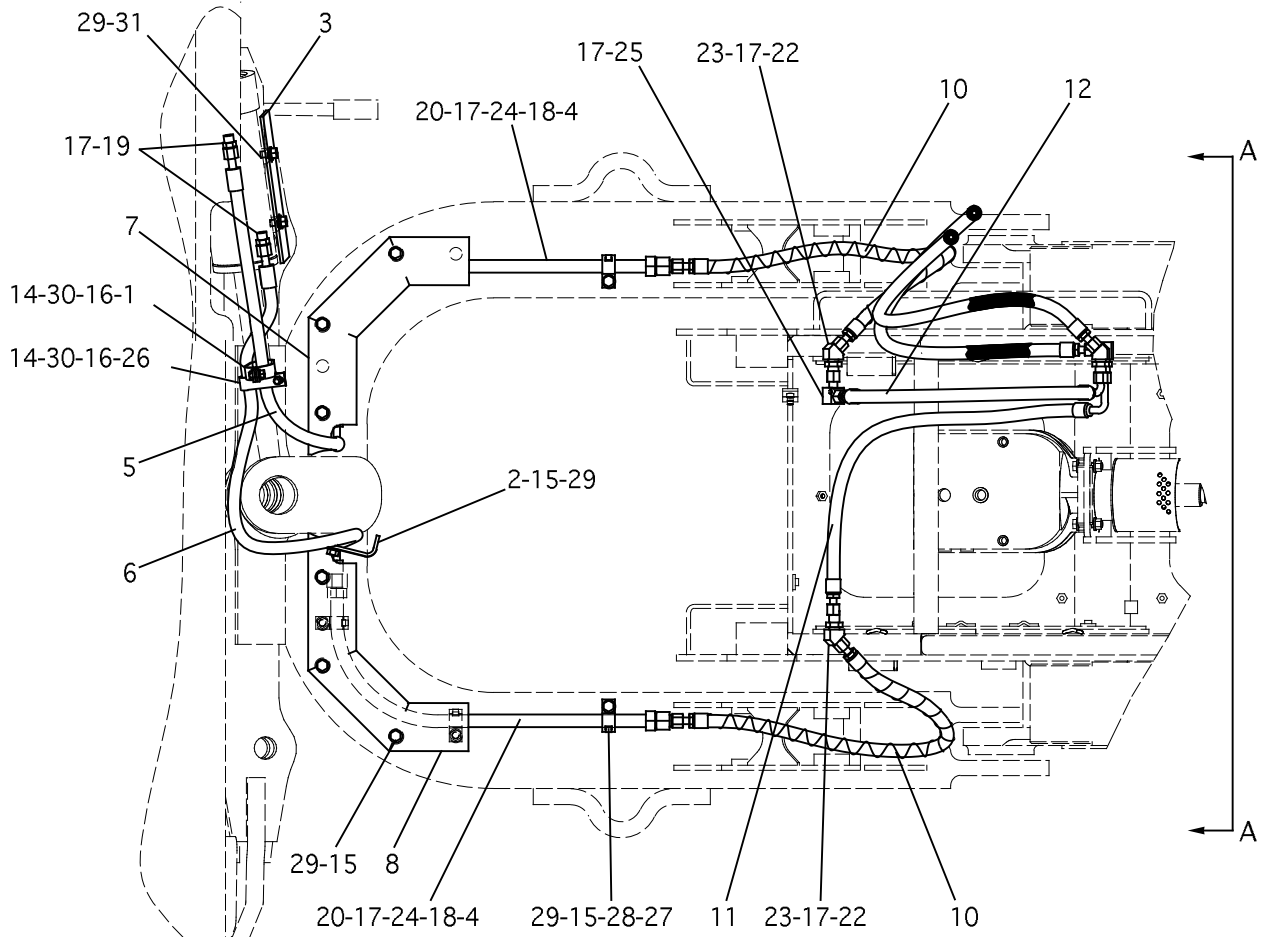
HYDRAULIC SYSTEM

NOTE	REF NO	PART NUMBER	QTY	PART NAME	NOTE	REF NO	PART NUMBER	QTY	PART NAME
	1	6Y9539	1	HOSE AS					
	2	7R7908	4	CLAMP					
	3	7V5628	2	PLATE					
	4	7X2444	1	TEE (M,F-ORFS,F-STOR)					
	5	1017938	2	CLAMP-HALF					
	6	1342617	1	HOSE AS					
	7	1694293	1	TUBE AS					
		6V8558	1	NUT-ORFS					
		6V8565	1	SLEEVE-ORFS					
	8	1549744	1	HOSE AS					
	9	1719672	1	HOSE AS					
	10	1549790	1	HOSE AS					
	11	1602700	1	HOSE AS					
	12	2M9780	1	SEAL-O-RING (ORB-OD 24.2)					
	13	2S4078	1	SEAL-O-RING (ORB-OD 43.5)					
	14	3J1907	2	SEAL-O-RING (ORB-OD 15.9)					
	15	3J7354	1	SEAL-O-RING (ORB-OD 12.5)					
	16	4J5477	2	SEAL-O-RING (ORFS-OD 12.2)					
	17	4M5282	4	BOLT (1/4)					
	18	5K9090	2	SEAL-O-RING (ORFS-OD 28)					
	19	5P2955	1	BOLT-HEX (5/16)					
	20	6K6307	1	SEAL-O-RING (ORB-OD 49.7)					
	21	6V8397	2	SEAL-O-RING (ORFS-OD 13.8)					
	22	6V8398	6	SEAL-O-RING (ORFS-OD 16)					
	23	6V8400	1	SEAL-O-RING (ORFS-OD 33.5)					
	24	6V8556	1	NUT-ORFS					
	25	6V8636	1	CONNECTOR (M-ORFS,M-STOR)					
	26	6V8647	1	CONNECTOR (M-ORFS,M-STOR)					
	27	6V8716	2	CONNECTOR (M-ORFS,M-STOR)					
	28	6V8721	1	ELBOW 90° (M-ORFS,M-STOR)					
	29	6V8942	1	REDUCER-O-RING (M,F-ORFS)					
	30	6V9009	1	ELBOW 90° (M-ORFS,M-STOR)					
	31	6V9182	1	ELBOW 90° (M-ORFS,M-STOR)					
	32	6V9746	7	SEAL-O-RING (ORFS-OD 23.4)					
	33	6V9836	1	TEE (M-ORFS,M-STOR,M-ORFS)					
	34	6V9837	1	TEE (M-ORFS,M-STOR,M-ORFS)					
	35	6V9839	1	TEE (M-ORFS,M-STOR,M-ORFS)					
	36	6V9844	1	TEE (M,M-ORFS,M-STOR)					
	37	6V9851	1	ELBOW 90° (M,F-ORFS)					
	38	6V9873	1	CONNECTOR (M-ORFS,M-STOR)					
	39	7M8485	3	SEAL-O-RING (ORB-OD 35.7)					
	40	7V6234	1	PLATE					
	41	8C3417	1	ELBOW 90° (M-ORFS,M-STOR)					
	42	9M8406	1	CLIP					
	43	8T8899	1	ELBOW 45° (M,F-ORFS)					

1266559 LINES GP-PUMP (IMPLEMENT)

Part of 1447167 Hydraulic Ar-Aux

HYDRAULIC SYSTEM



1266557 LINES GP-TILT
 Part of 1447167 Hydraulic Ar-Aux

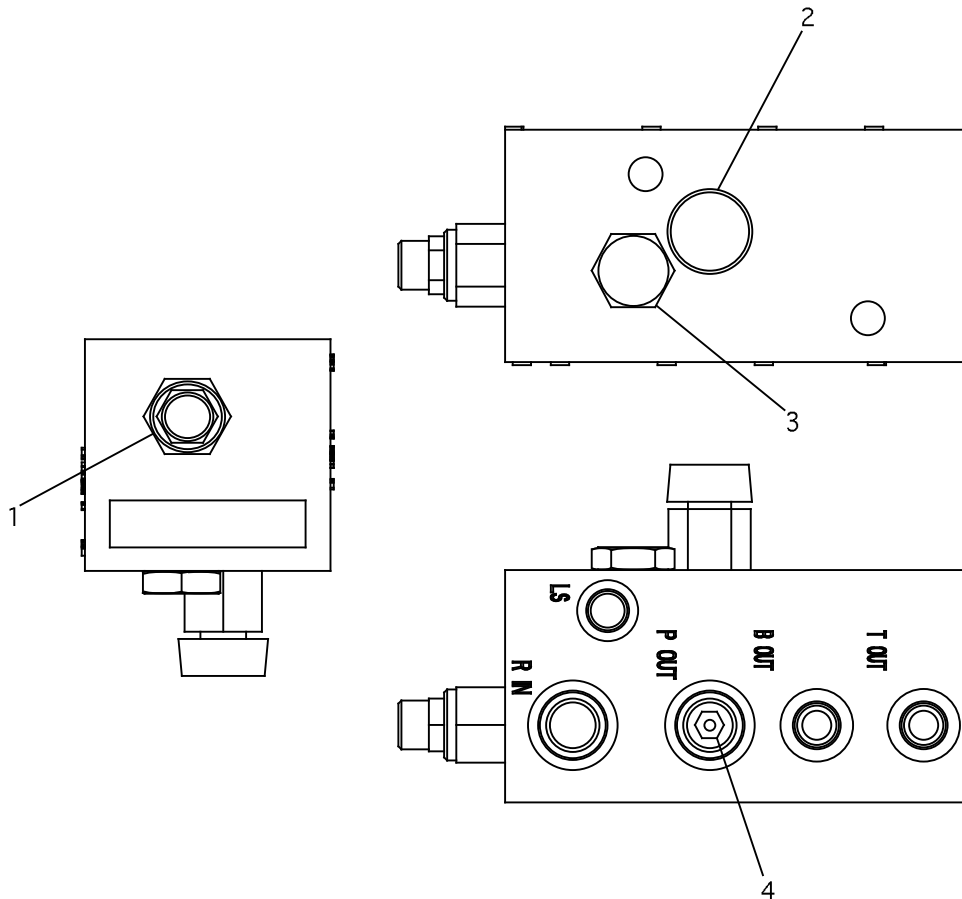
HYDRAULIC SYSTEM

NOTE	REF NO	PART NUMBER	QTY	PART NAME	NOTE	REF NO	PART NUMBER	QTY	PART NAME
	1	4T1848	1	CLAMP					
	2	4T2136	1	CLAMP					
	3	4T9780	1	GUARD					
	4	4T9781	2	TUBE AS					
		6V8726	2	CONNECTOR (M-ORFS,TUBE)					
	5	4T9788	1	HOSE AS-ORFS					
E		3E4071	2	CLIP-GUARD					
		6V0744	82	GUARD-HOSE(BULK)					
		6V9965	1	COUPLING-HOSE (ORFS)					
		6V9967	1	COUPLING-HOSE 90° (ORFS)					
	6	4T9789	1	HOSE AS-ORFS					
E		3E4071	2	CLIP-GUARD					
		6V0744	96	GUARD-HOSE(BULK)					
		6V9965	1	COUPLING-HOSE (ORFS)					
		6V9967	1	COUPLING-HOSE 90° (ORFS)					
	7	6Y2456	1	PLATE AS-LH					
	8	6Y2506	1	PLATE AS-RH					
	9	1628317	1	HOSE AS					
	10	1243857	2	HOSE AS					
	11	1243866	1	HOSE AS					
	12	1243884	1	HOSE AS					
	13	1249787	1	HOSE AS					
	14	2K4973	2	LOCKNUT					
	15	5C6565	13	BOLT-HEX (1/2)					
	16	5S7379	2	BOLT-HEX (3/8)					
	17	6V8398	17	SEAL-O-RING (ORFS-OD 16)					
	18	6V8556	4	NUT-ORFS					
	19	6V8639	2	CONNECTOR (M-ORFS,M-STOR)					
	20	6V8942	4	REDUCER-O-RING (M,F-ORFS)					
	21	6V8981	1	ELBOW 90° (M,F-ORFS)					
	22	6V8988	3	ELBOW 45° (M,F-ORFS)					
	23	6V9169	4	NUT-BULKHEAD					
	24	6V9746	4	SEAL-O-RING (ORFS-OD 23.4)					
	25	6V9851	1	ELBOW 90° (M,F-ORFS)					
	26	7L7304	1	CLIP					
	27	7S3916	6	CLIP					
	28	7S3919	6	CLIP					
	29	8T4223	15	WASHER-HARD					
	30	8T4896	2	WASHER-HARD					
	31	8T9384	2	BOLT-HEX (1/2)					

E - ORDER BY THE CENTIMETER

1266557 LINES GP-TILT
Part of 1447167 Hydraulic Ar-Aux

HYDRAULIC SYSTEM

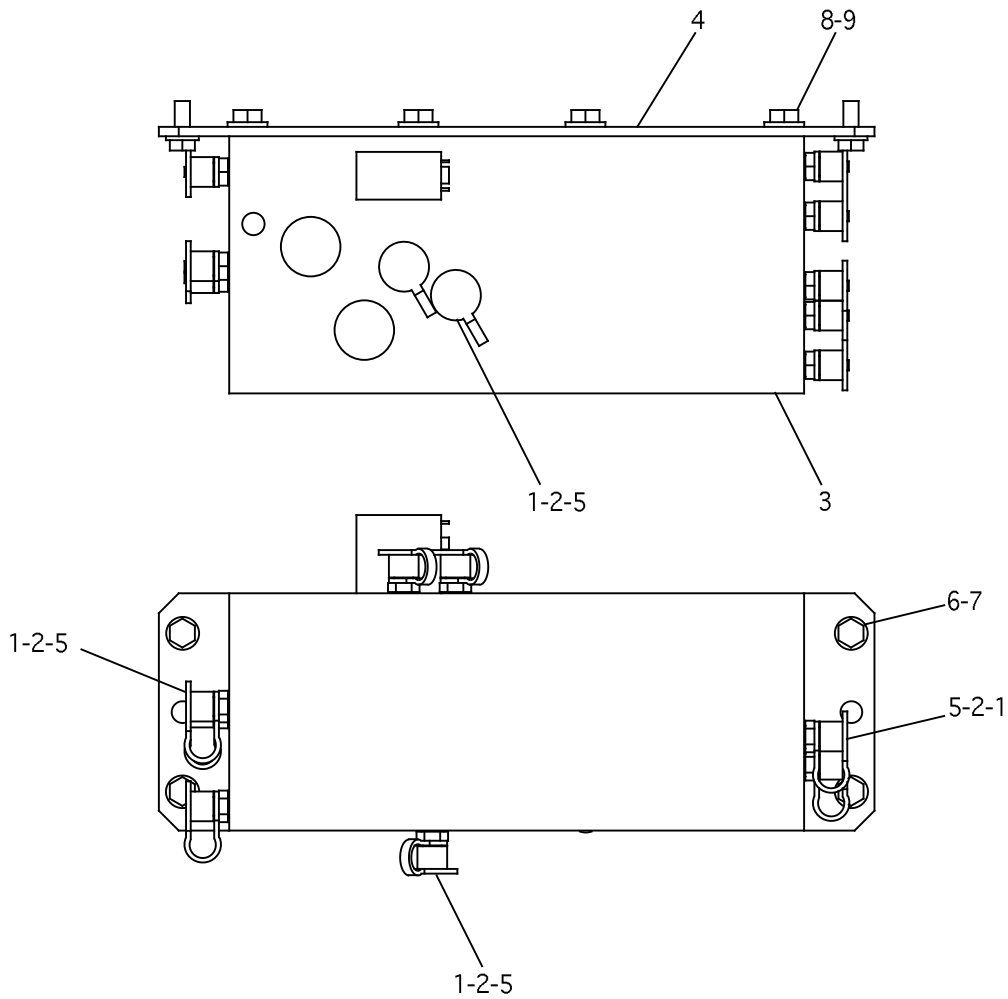


NOTE	REF NO	PART NUMBER	QTY	PART NAME	NOTE	REF NO	PART NUMBER	QTY	PART NAME
	1	1521255	1	VALVE-RELIEF					
	2	1521256	1	VALVE-GATE					
	3	1119730	1	VALVE-CHECK					
	4	1634237	1	PLUG-ORIFICE					

1377562 MANIFOLD GP (AUX TOOL)

Part of 1449734 Manifold Gp

HYDRAULIC SYSTEM



NOTE	REF NO	PART NUMBER	QTY	PART NAME	NOTE	REF NO	PART NUMBER	QTY	PART NAME
Y	1	6V0852	11	CAP-DUST					
	2	6V3965	11	NIPPLE AS					
		6V4143	1	COUPLING (F-QUICK 45 MM LG)					
		6V4144	1	COUPLING (F-QUICK 55 MM LG)					
	3	1244624	1	VALVE GP-CONTROL					
	4	1493234	1	PLATE					
	5	3J1907	11	SEAL-O-RING (ORB-OD 15.9)					
	6	8T4121	4	WASHER-HARD					
	7	8T4136	4	BOLT					
8	8T4192	5	BOLT						
9	8T4223	5	WASHER-HARD						

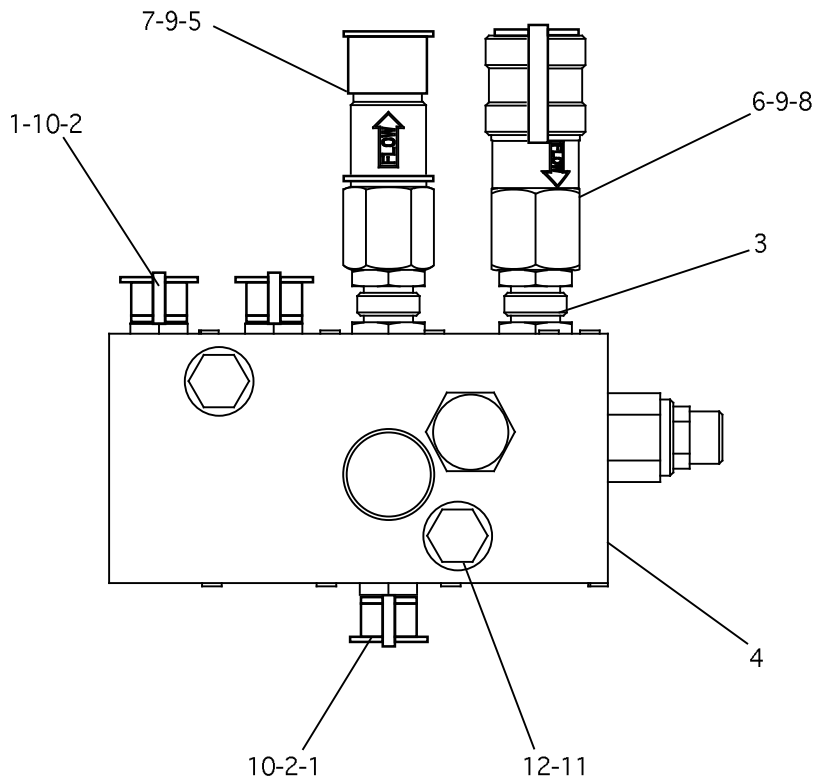
Y - SEPARATE ILLUSTRATION

1448607 MANIFOLD GP (MULTI-FUNCTION)

1244624-Page 387

Part of 1447167 Hydraulic Ar-Aux

HYDRAULIC SYSTEM



NOTE	REF NO	PART NUMBER	QTY	PART NAME	NOTE	REF NO	PART NUMBER	QTY	PART NAME
Y	1	6V0852	3	CAP-DUST					
	2	6V3965	3	NIPPLE AS					
	3	6V5320	2	UNION (M,M-STOR)					
	4	1377562	1	MANIFOLD GP					
	5	1382037	1	COUPLING (M-QUICK)					
	6	1382038	1	COUPLING (F-QUICK)					
	7	1600201	1	COVER-DUST					
	8	1600202	1	PLUG-DUST					
	9	3K0360	4	SEAL-O-RING (ORB-OD 20.8)					
	10	6V5049	3	SEAL-O-RING (ORB-OD 15.9)					
	11	8T4121	2	WASHER-HARD					
	12	8T4198	2	BOLT					

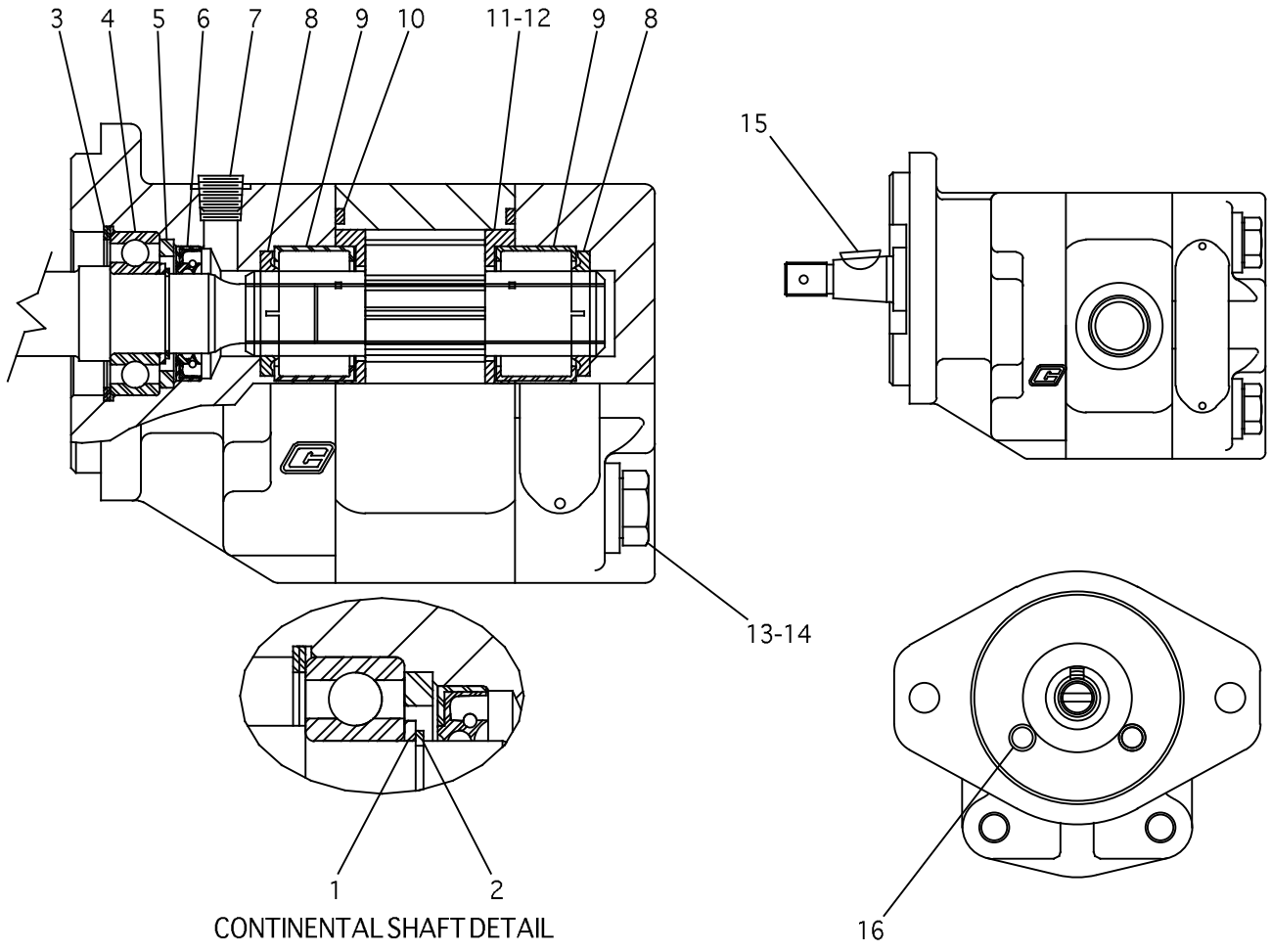
Y - SEPARATE ILLUSTRATION

1449734 MANIFOLD GP

1377562-Page 354

Part of 1448600 Lines Gp-Attachment

HYDRAULIC SYSTEM

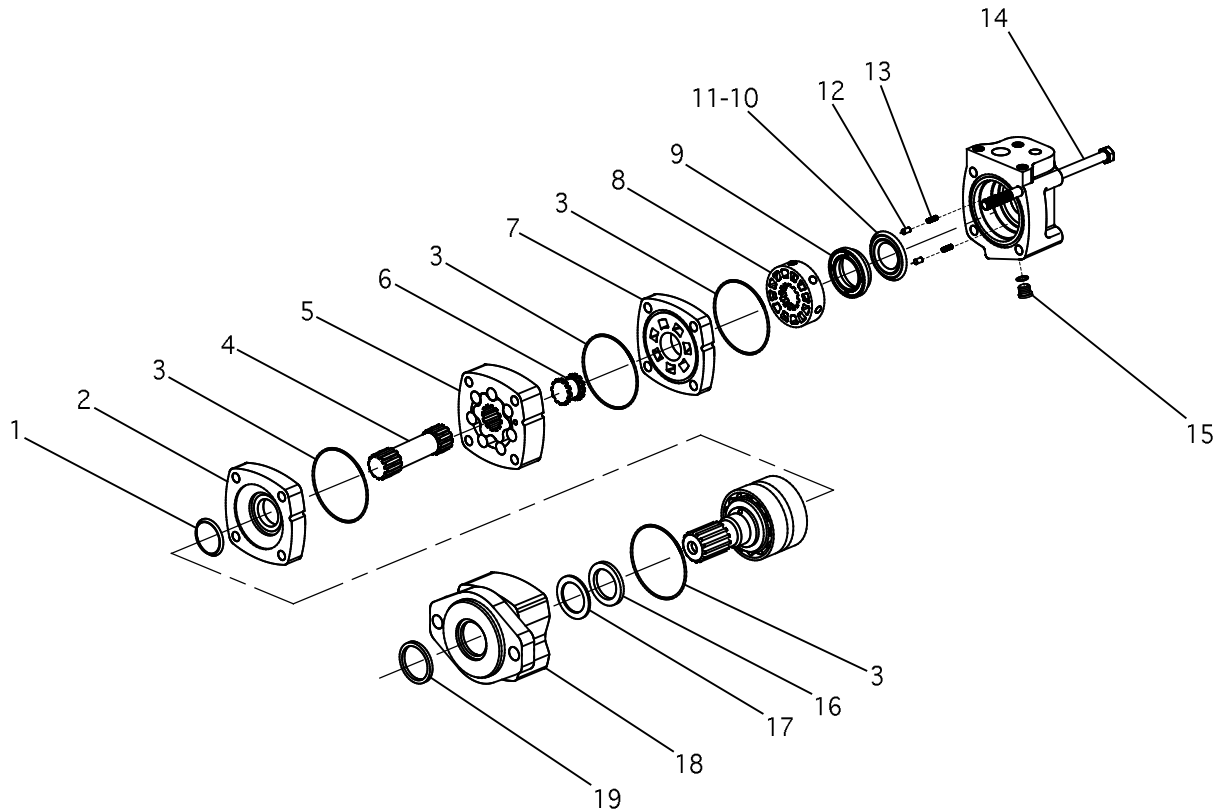


NOTE	REF NO	PART NUMBER	QTY	PART NAME	NOTE	REF NO	PART NUMBER	QTY	PART NAME
	1	1330955	1	SPACER					
	2	0015600	1	RING-SNAP					
	3	2K6091	1	RING-RETAINING					
	4	1483482	1	BEARING					
	5	1461777	1	RETAINER-SEAL					
	6	0780165	1	SEAL-LIP					
	7	7H3171	1	PLUG-PIPE					
	8	0776723	2	RING					
	9	0780164	4	BEARING					
	10	1461778	2	SEAL					
B	11	0773159	1	SEAL					
	12	0780163	2	PLATE-THRUST					
	13	8S4739	4	BOLT					
	14	1330953	4	WASHER					
	15	2B9373	1	KEY-WOODRUFF					
	16	0774393	1	VALVE-CHECK					

B - USE AS REQUIRED

1243903 MOTOR GP-BASIC (COOLING FAN)
 Part of 1450072 Mounting Gp-Fan Drive

HYDRAULIC SYSTEM



ITEMS NOT IDENTIFIED ARE NOT SOLD SEPARATELY

NOTE	REF NO	PART NUMBER	QTY	PART NAME	NOTE	REF NO	PART NUMBER	QTY	PART NAME
	1	5E2663	1	SEAL					
	2	7R6635	1	PLATE-WEAR					
	3	5E2656	4	SEAL					
	4	7R6642	1	DRIVE					
	5	7R6645	1	GEROLER					
	6	5E2664	1	VALVE					
	7	7R6636	1	PLATE-VALVE					
	8	7R6637	1	VALVE					
	9	7R6638	1	RING-BALANCE					
	10	5E2659	1	SEAL					
	11	7R6639	1	FACE-OUTER SEAL					
	12	7R6640	2	PIN					
	13	7R6641	2	SPRING					
	14	7R6643	4	BOLT					
	15	0982938	1	PLUG/WITH O-RING					
	16	7R6634	1	SEAL-SHAFT					
	17	7R6633	1	RING-BACKUP					
	18	7R6517	1	HOUSING-BEARING					
	19	7R6467	1	SEAL-DUST					

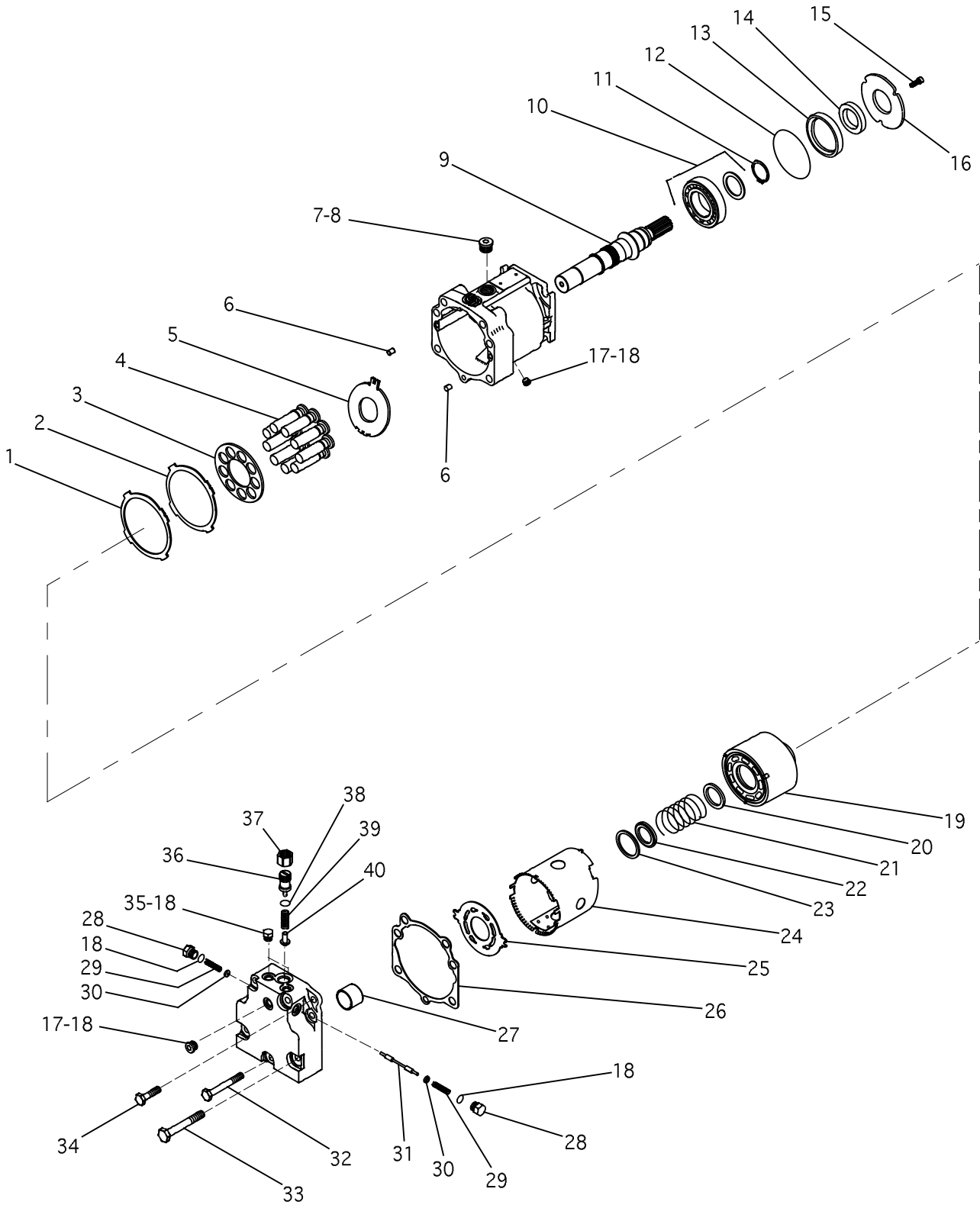
1514928 MOTOR GP-GEROTOR (WINCH)

Part of 1473025 Winch Gp

NOTES

A large, empty rectangular box with a black border, intended for handwritten notes.

HYDRAULIC SYSTEM



1243605 MOTOR GP-PISTON (STEERING)
 Part of 1266624 Motor Gp & Mounting

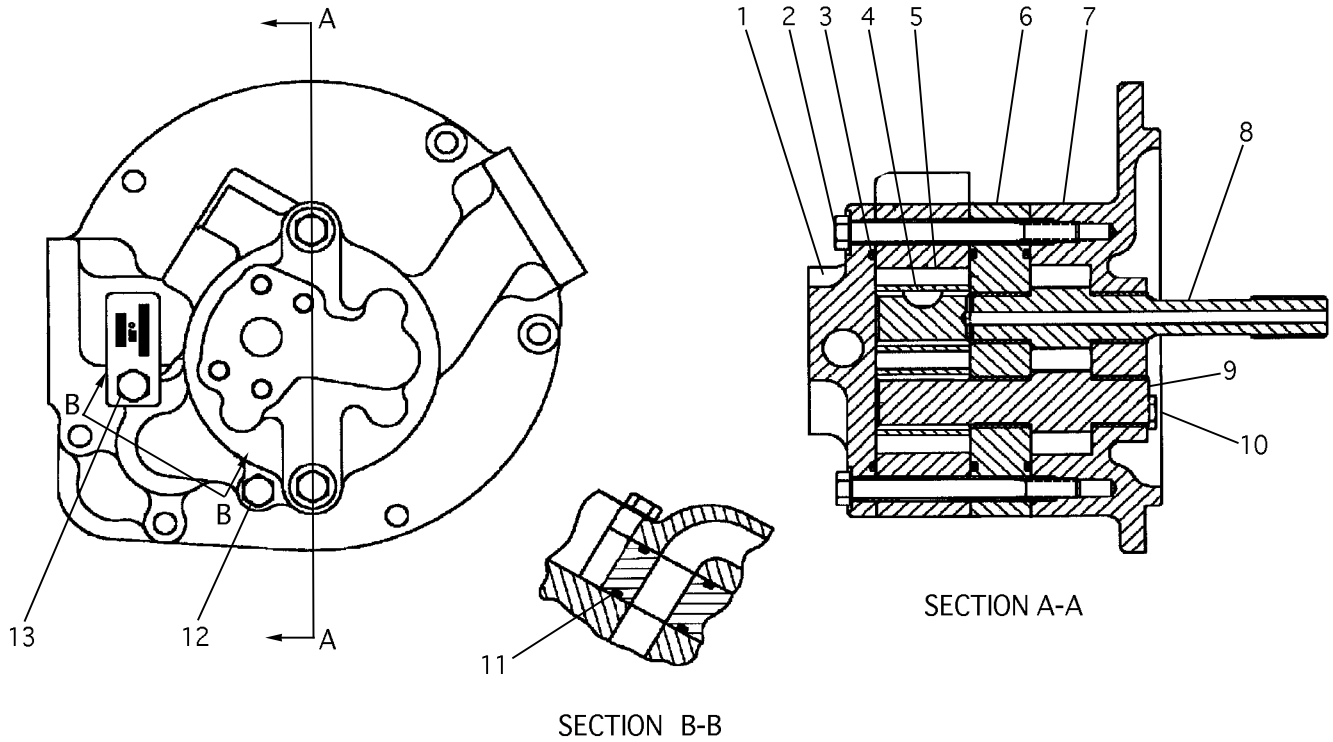
HYDRAULIC SYSTEM

NOTE	REF NO	PART NUMBER	QTY	PART NAME	NOTE	REF NO	PART NUMBER	QTY	PART NAME
K	2	1G5743	1	RETAINER					
K	3	1G5750	1	GUIDE					
K	4	1G5773	9	PISTON					
	5	1G5739	1	PLATE-THRUST					
	6	778353	2	PIN					
	7	9S8008	1	PLUG-O-RING					
	8	3D2824	1	SEAL-O-RING (ORB-OD 29.5)					
	9	1454917	1	SHAFT					
	10	1G5737	1	BEARING					
	11	2L6965	1	RING-RETAINING					
H	12	6V3834	1	SEAL-O-RING (OD 93.8)					
	13	1157417	1	SEAL-CARRIER					
H	14	1G5736	1	SEAL-LIP					
	15	8T0269	3	BOLT-SOCKET HEAD					
	16	1157418	1	PLATE-RETAINER					
	17	9S8004	2	PLUG-O-RING					
H	18	3J1907	6	SEAL-O-RING (ORB-OD 15.9)					
KL	19	-	1	BLOCK-CYLINDER					
KL	20	1G5746	1	SEAT					
KL	21	1G5747	1	SPRING					
KL	22	1G5748	1	RETAINER					
KL	23	1G5749	1	RING-RETAINING					
	24	1454916	1	TUBE-HOLDDOWN					
	25	1G5740	1	PLATE-VALVE					
H	26	1G5738	1	GASKET-END CAP					
	27	1G5764	1	BEARING-JOURNAL					
	28	1G5732	2	PLUG-SPECIAL					
	29	1G5733	2	SPRING					
	30	1G5734	2	GUIDE-SPRING					
	31	1G5735	1	SPOOL-VALVE					
	32	6V5815	1	BOLT					
	33	1131034	4	BOLT					
	34	6V8197	2	BOLT					
	35	9S4191	2	PLUG-STOP					
	36	1G5731	1	PLUG					
	37	6R1702	1	NUT-SPECIAL					
H	38	2M9780	1	SEAL-O-RING (ORB-OD 24.2)					
	39	1G5730	1	SPRING					
	40	6R1703	1	POPPET					
				THE FOLLOWING REPAIR KITS ARE AVAILABLE:					
		1G5727	1	REPAIR KIT (INCL PARTS MARKED H)					
		1G5728	1	BLOCK KIT-CYLINDER (INCL PARTS MARKED K)					
		1G5745	1	BLOCK KIT-CYLINDER (INCL PARTS MARKED L)					

1243605 MOTOR GP-PISTON (STEERING)

Part of 1266624 Motor Gp & Mounting

HYDRAULIC SYSTEM

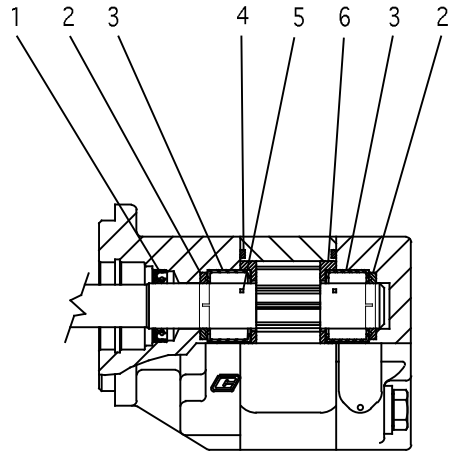
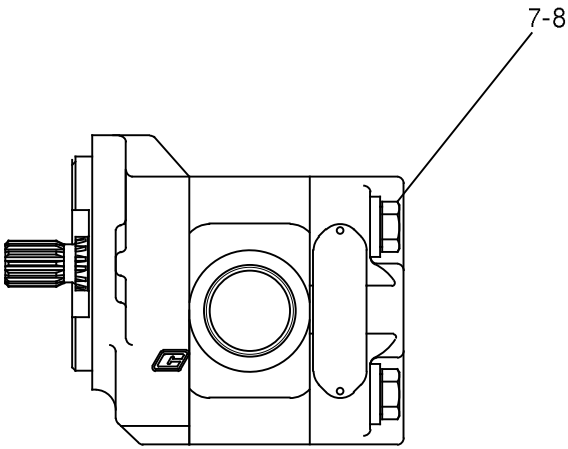
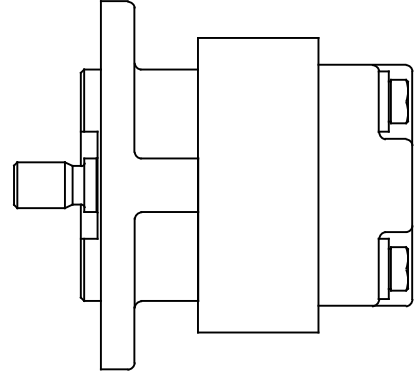
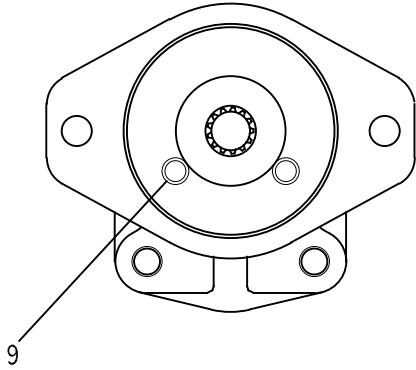


NOTE	REF NO	PART NUMBER	QTY	PART NAME	NOTE	REF NO	PART NUMBER	QTY	PART NAME
	1	2S7916	1	COVER-OIL PUMP					
	2	0T0055	2	BOLT (3/8)					
	3	4M0189	3	SEAL-O-RING (OD 111.4)					
	4	1B8708	1	KEY-WOODRUFF					
	5	2P1078	2	GEAR-OIL PUMP					
	6	7S7399	1	COVER AS-PUMP					
		2S7931	2	BEARING-SLEEVE					
	7	8P8209	1	MANIFOLD AS-PUMP					
		8M8489	2	DOWEL					
		2S7931	2	BEARING-SLEEVE					
	8	1249404	1	GEAR-OIL PUMP					
	9	1249405	1	GEAR-OIL PUMP					
	10	5F4899	4	BOLT (3/8)					
	11	8M5254	1	SEAL-O-RING (61 FLANGE-OD 38.4)					
	12	0T0065	1	BOLT (3/8)					
	13	0L2070	1	BOLT (3/8)					

1249406 PUMP GP-BASIC (TRANSMISSION)

Part of 1249407 Pump Gp-Gear

HYDRAULIC SYSTEM

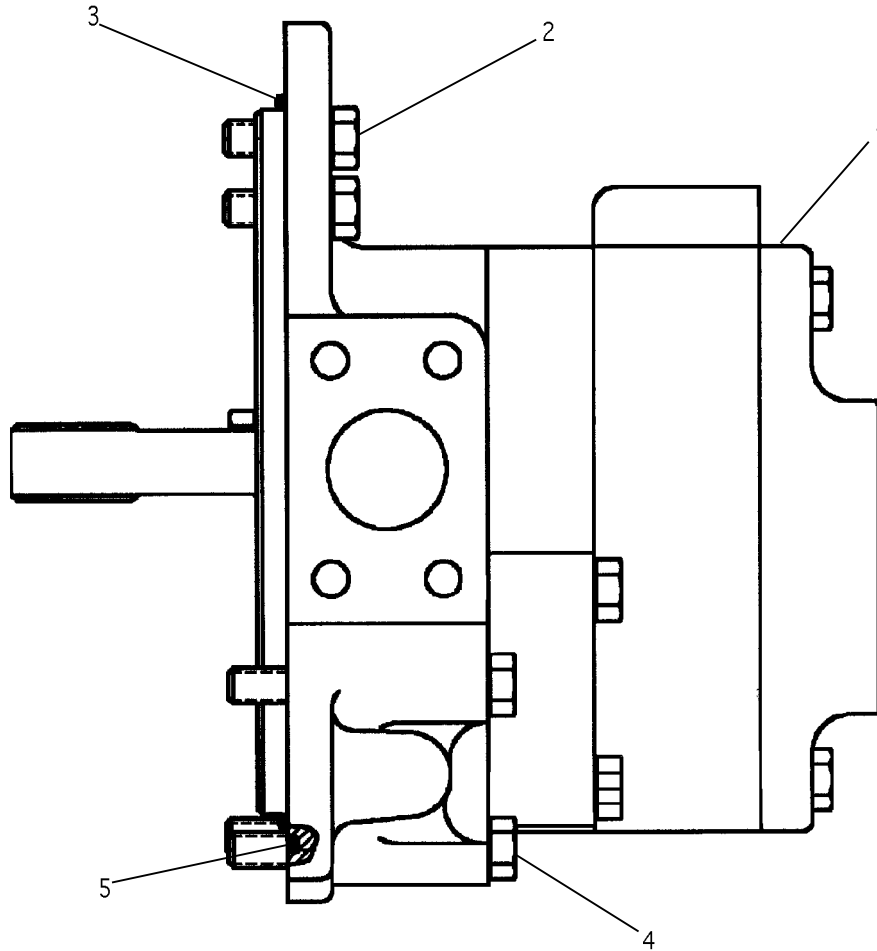


NOTE	REF NO	PART NUMBER	QTY	PART NAME	NOTE	REF NO	PART NUMBER	QTY	PART NAME
B	1	0776722	1	SEAL-OIL					
	2	0776723	2	RING					
	3	0780164	4	BEARING					
	4	1461778	2	SEAL					
	5	0773159	1	SEAL					
	6	0780163	2	PLATE-THRUST					
	7	8S4740	4	BOLT					
	8	1330953	4	WASHER					
	9	0983486	1	PLUG-MISC					

B - USE AS REQUIRED

1244623 PUMP GP-BASIC (COOLING FAN)
Part of 1448599 Pump Gp & Mounting

HYDRAULIC SYSTEM



NOTE	REF NO	PART NUMBER	QTY	PART NAME	NOTE	REF NO	PART NUMBER	QTY	PART NAME
Y	1	1249406	1	PUMP GP-GEAR BASIC					
	2	1A2029	4	BOLT (3/8)					
	3	4H6520	1	SEAL-O-RING (OD 190.8)					
	4	0T0573	2	BOLT (3/8)					
	5	4F7391	1	SEAL-O-RING (OD 40)					

Y - SEPARATE ILLUSTRATION

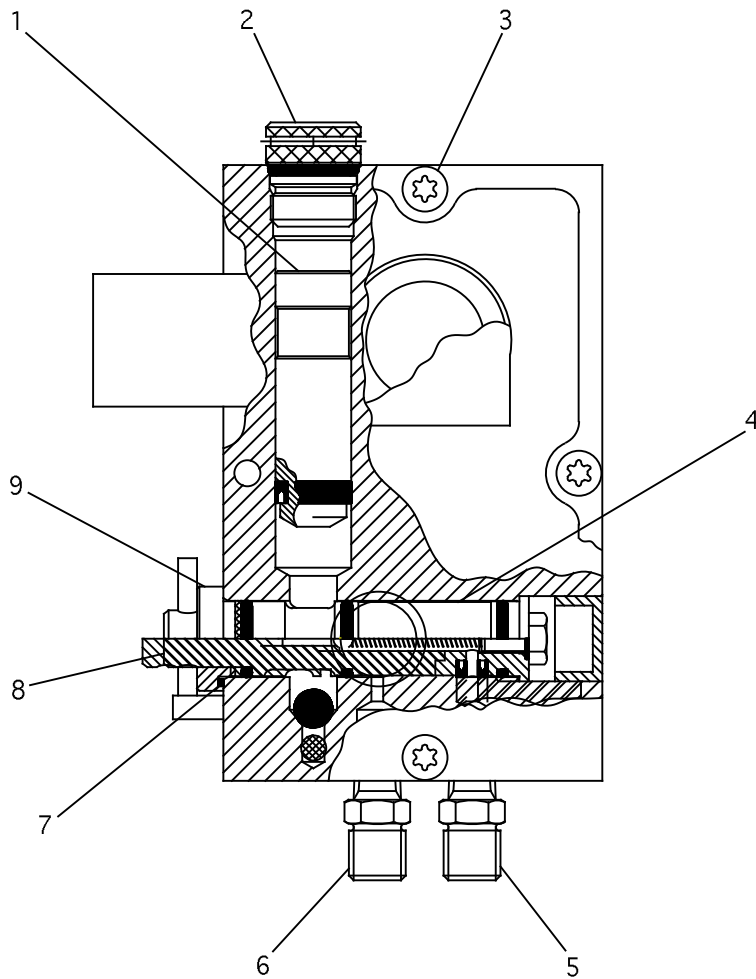
1249407 PUMP GP-GEAR (TRANSMISSION)

1249406-Page 362

Part of 1228644 Torque Converter Gp-Housing

00

HYDRAULIC SYSTEM

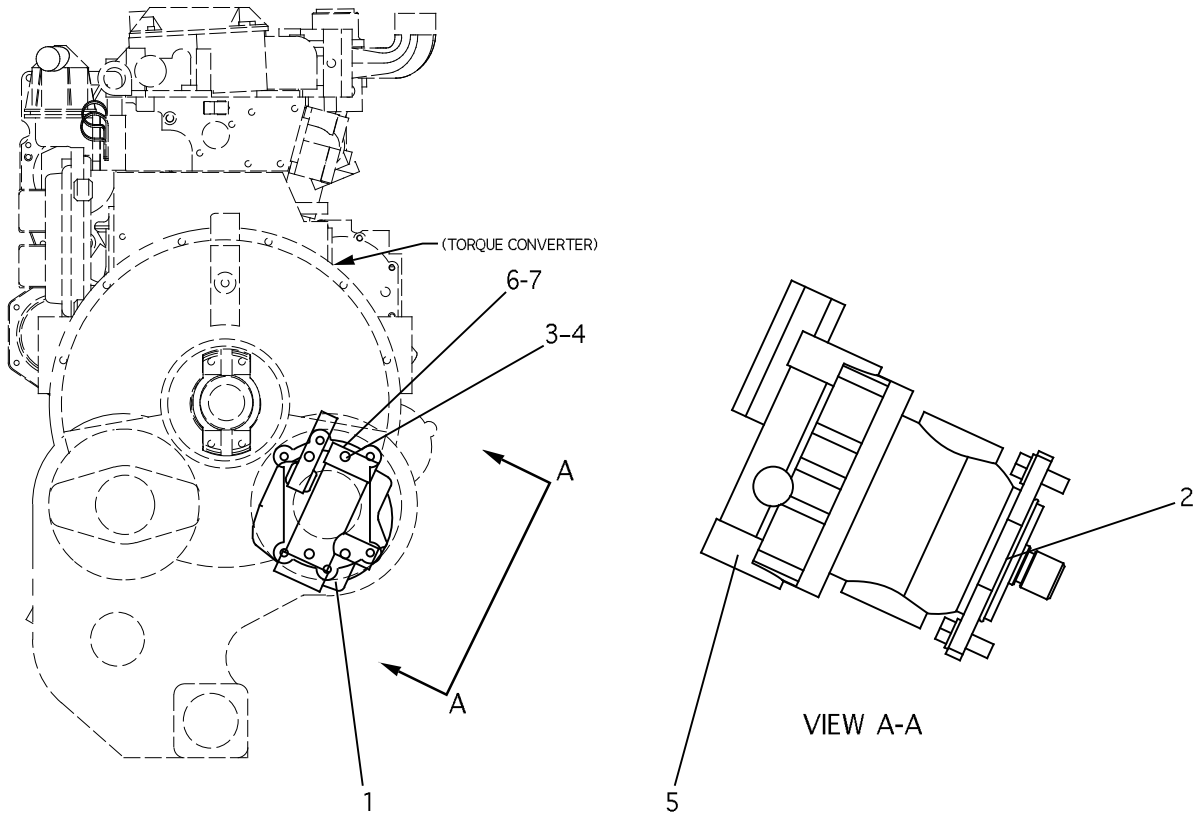


NOTE	REF NO	PART NUMBER	QTY	PART NAME	NOTE	REF NO	PART NUMBER	QTY	PART NAME
F	1	1368623	1	PLUNGER				1	SEAL-O-RING
	2	1490488	1	PLUG-FILL				1	SEAL-O-RING
	3	1490487	4	SCREW				1	RING-VEE
	4	1490541	1	DISC-VALVE				1	WASHER
	5	1490540	1	FITTING				1	TOOL-SPECIAL
	6	1490545	1	FITTING					
	7	1490544	1	SEAL-O-RING (OD 19.2)					
	8	1490542	1	SPOOL-VALVE					
	9	1490543	1	WASHER					
	-	1490546	1	REPAIR KIT					
			1	SEAL-O-RING					
			1	GASKET					
			3	SEAL-O-RING					
			1	U-CUP					
			1	PIN					
			1	RING-BACKUP					
			1	BALL					
			1	SCREEN					
			1	BALL					
			3	INSERT					
		1	SPRING						

F - NOT SHOWN

1472520 PUMP GP-HAND (RAD & CAB TILT)
 Part of 1304551 Pump Gp & Mounting (Hand)

HYDRAULIC SYSTEM



NOTE	REF NO	PART NUMBER	QTY	PART NAME	NOTE	REF NO	PART NUMBER	QTY	PART NAME
Y	1	1243610	1	PUMP GP-PISTON					
	2	1H6227	1	SEAL-O-RING (OD 108.3)					
	3	8C4436	2	BOLT (1/2-13)					
	4	8T4223	2	WASHER-HARD					
	5	1601025	1	MAINIFOLD GP					
		1344427	1	MANIFOLD GP					
		1344424	1	SHEET-BENT					
		3L2540	4	BOLT (10-24)					
		8T9364	1	BOLT (1/4)					
		5P4115	1	WASHER-HARD					
	6	2M9780	1	SEAL-O-RING (ORB-OD 24.2)					
	7	9S8006	1	PLUG-O-RING					

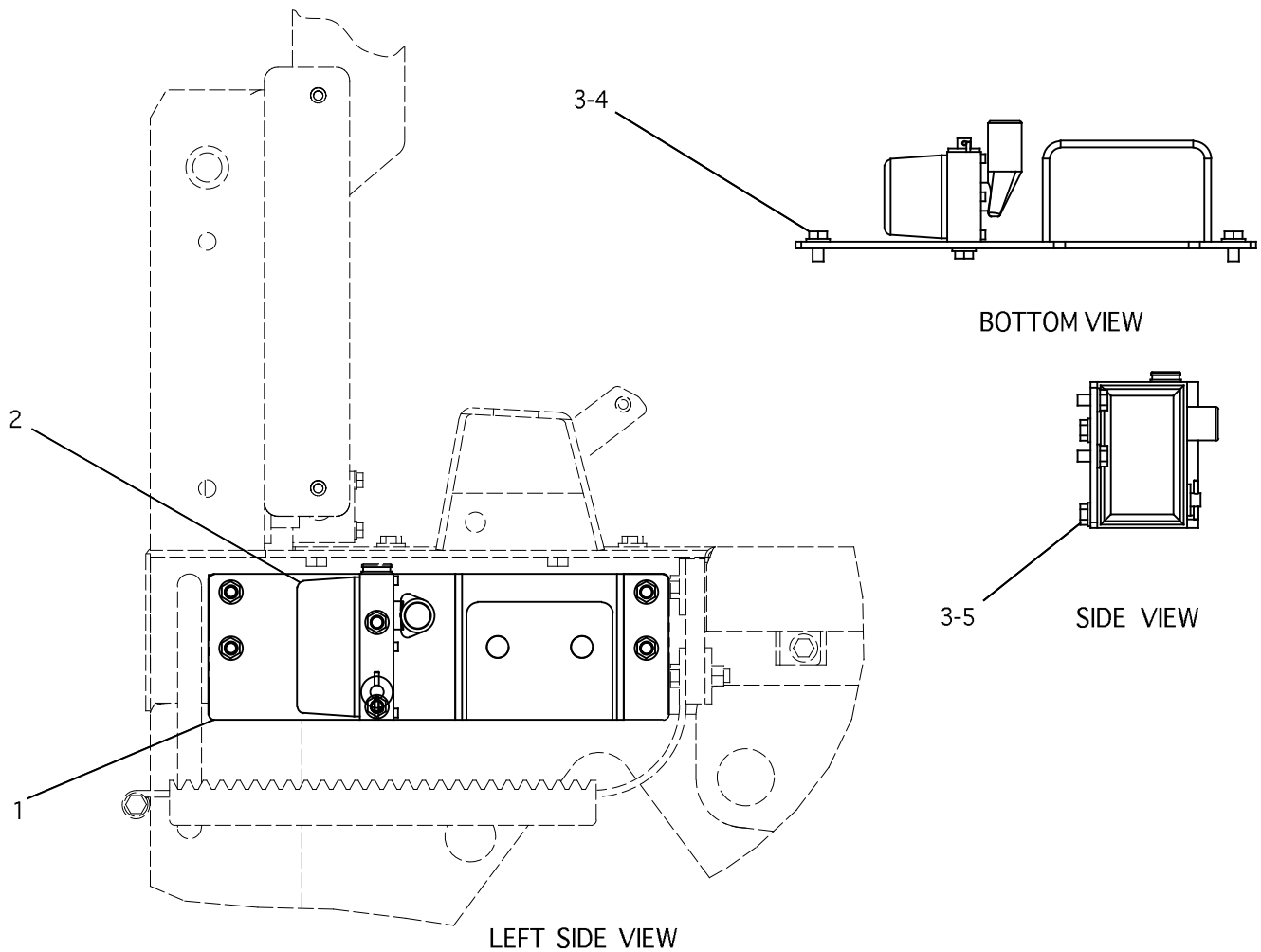
Y - SEPARATE ILLUSTRATION

1266567 PUMP GP & MOUNTING (IMPLEMENT)

1243610-Page 368

Part of 1447167 Hydraulic Ar-Aux

HYDRAULIC SYSTEM



NOTE	REF NO	PART NUMBER	QTY	PART NAME	NOTE	REF NO	PART NUMBER	QTY	PART NAME
	1	1358740	1	PLATE AS					
Y	2	1472520	1	PUMP GP-HAND					
	3	8T4121	6	WASHER-HARD					
M	4	8T4137	4	BOLT (M10)					
M	5	8T4191	2	BOLT (M10)					

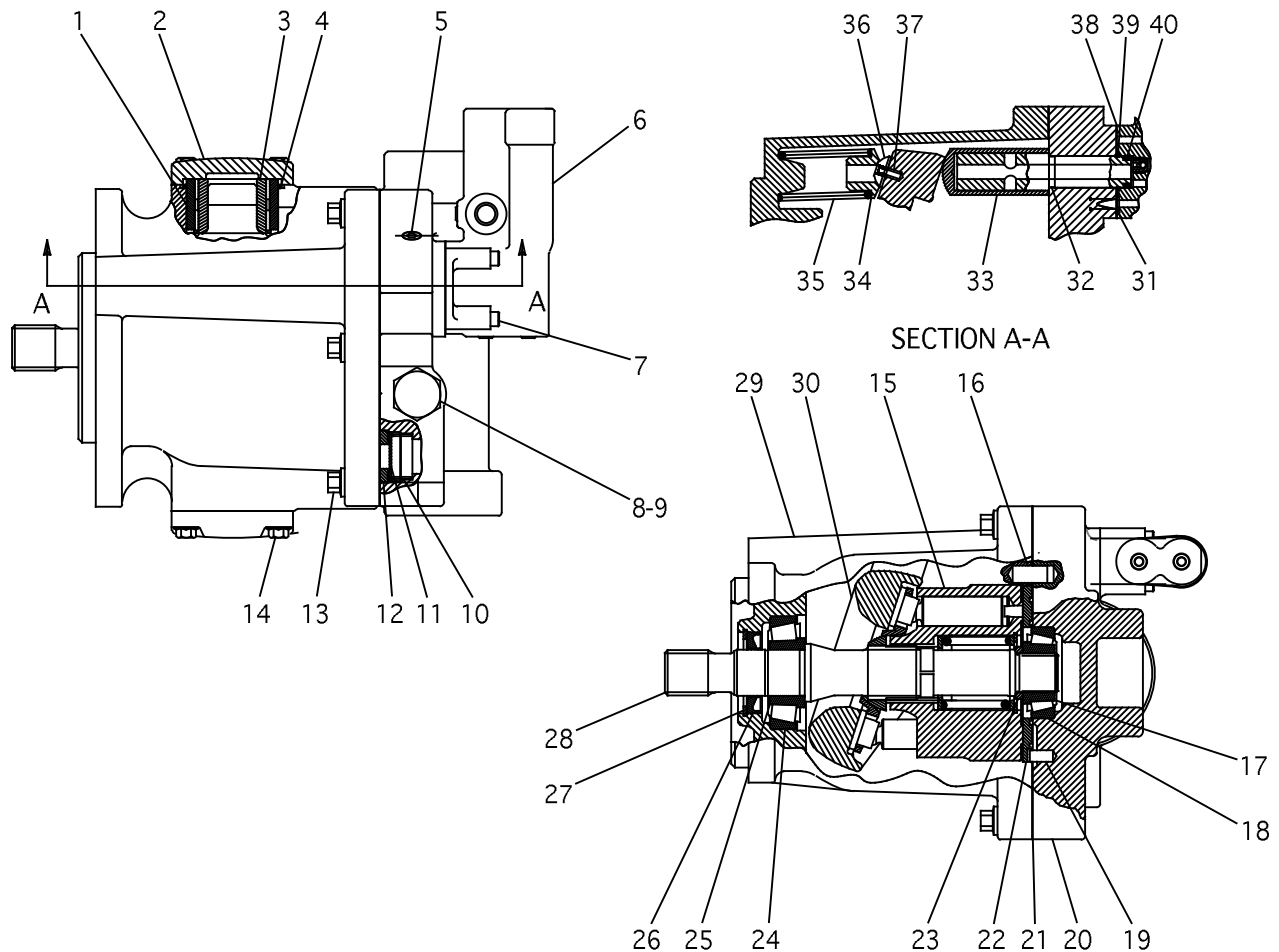
M - METRIC PART
Y - SEPARATE ILLUSTRATION

1304551 PUMP GP & MOUNTING (HAND)

1472520-Page 365

Part of 1245947 Lines Gp-Lift Cyl

HYDRAULIC SYSTEM



NOTE	REF NO	PART NUMBER	QTY	PART NAME	NOTE	REF NO	PART NUMBER	QTY	PART NAME
	2	1022252	2	COVER-PINTLE		23	9T2000	1	SPACER KIT
	3	1031260	2	BEARING-CONE		-	-	12	SPACER
	4	1031261	2	SEAL-O-RING (OD 60.3)		24	7T9755	1	CUP-ROLLER BRG
	5	9F2247	1	PLUG-PIPE		25	7T9754	1	CONE-ROLLER BRG
Y	6	1476712	1	VALVE GP-COMPENSATOR		26	8T5040	1	SEAL-LIP TYPE
	7	7L0688	4	BOLT-SOCKET HEAD		27	8Q2979	1	RING
	8	691745	1	PLUG		28	1G9785	1	SHAFT-SPLINED
	9	543433	1	SEAL		29	1439686	1	HOUSING-PUMP
	10	9T3867	1	SPRING		30	1022253	1	YOKE
	11	9T1710	1	POPPET		31	5F9144	1	SEAL-O-RING (TUBE A/C-OD 11.2)
	12	9T1636	1	SEAT		32	9T2170	1	ROD-PISTON
	13	5P0076	6	BOLT-12 POINT HD		33	9T2172	1	PISTON
	14	310216	8	BOLT		34	9T2171	2	SEAT
Y	15	9T2031	1	ROTATING GP		35	9T2168	1	SPRING
	16	8T5089	2	PIN-SPRING		36	9T2171	2	SEAT
	17	7T9752	1	CONE-ROLLER BRG		37	8J8308	1	PIN-ROLL
	18	7T9753	1	CUP-ROLLER BRG		38	9T2002	1	GASKET
	19	9T2001	1	PIN		39	9T2003	1	RING
	20	9T2176	1	HEAD-VALVE BLOCK		40	8F9206	1	SEAL-O-RING (OD 17.6)
	21	9T1752	1	GASKET					
	22	9T2232	1	PLATE-WAFER					

Y - SEPARATE ILLUSTRATION

1243610 PUMP GP-PISTON (IMPLEMENT)

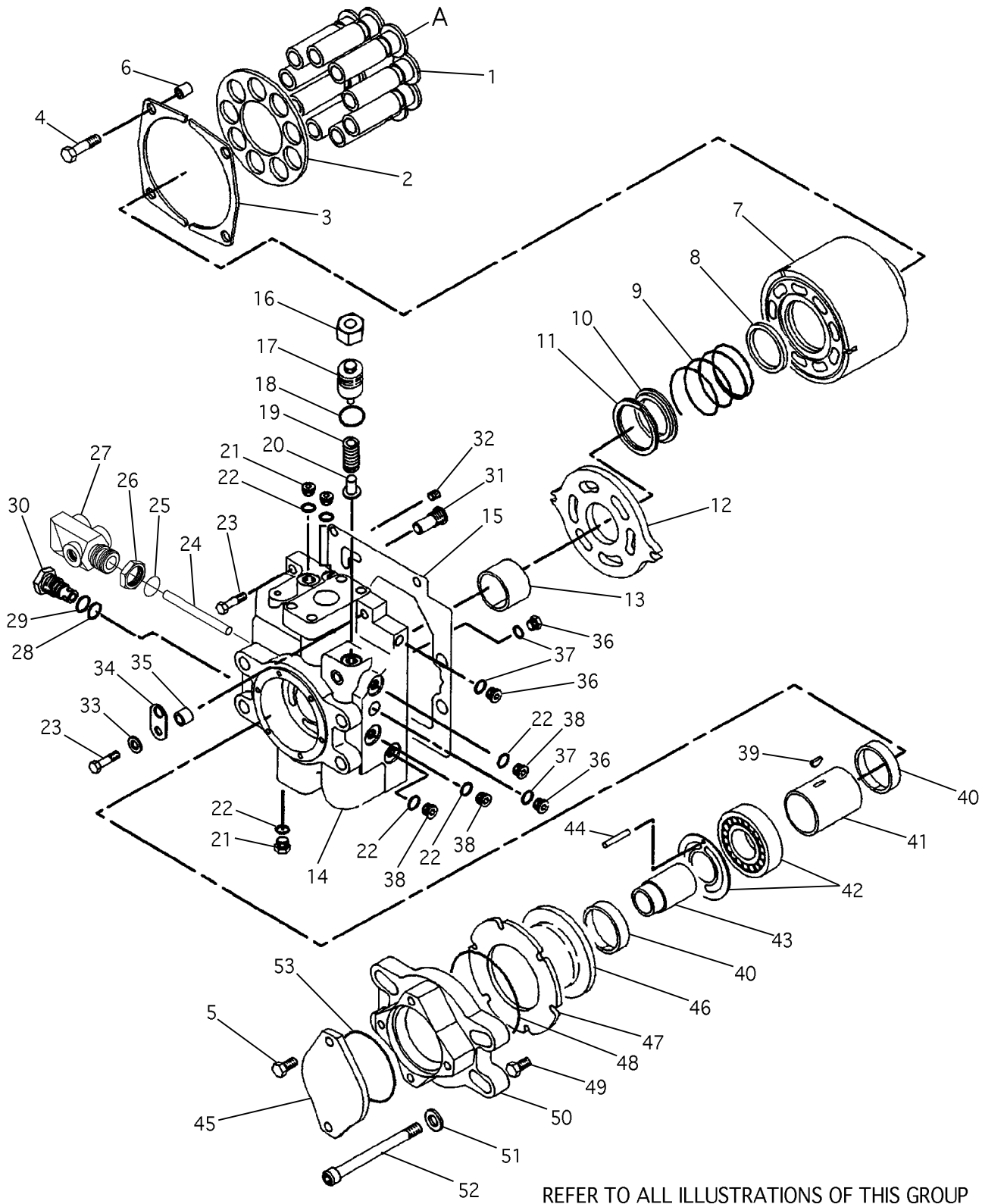
1476712-Page 380, 9T2031-Page 374

Part of 1266567 Pump Gp & Mounting

NOTES

A large, empty rectangular box with a black border, intended for handwritten notes.

HYDRAULIC SYSTEM



1243868 PUMP GP-PISTON PART 1 OF 2 (STEERING)
 Part of 1266623 Pump Gp & Mounting

HYDRAULIC SYSTEM

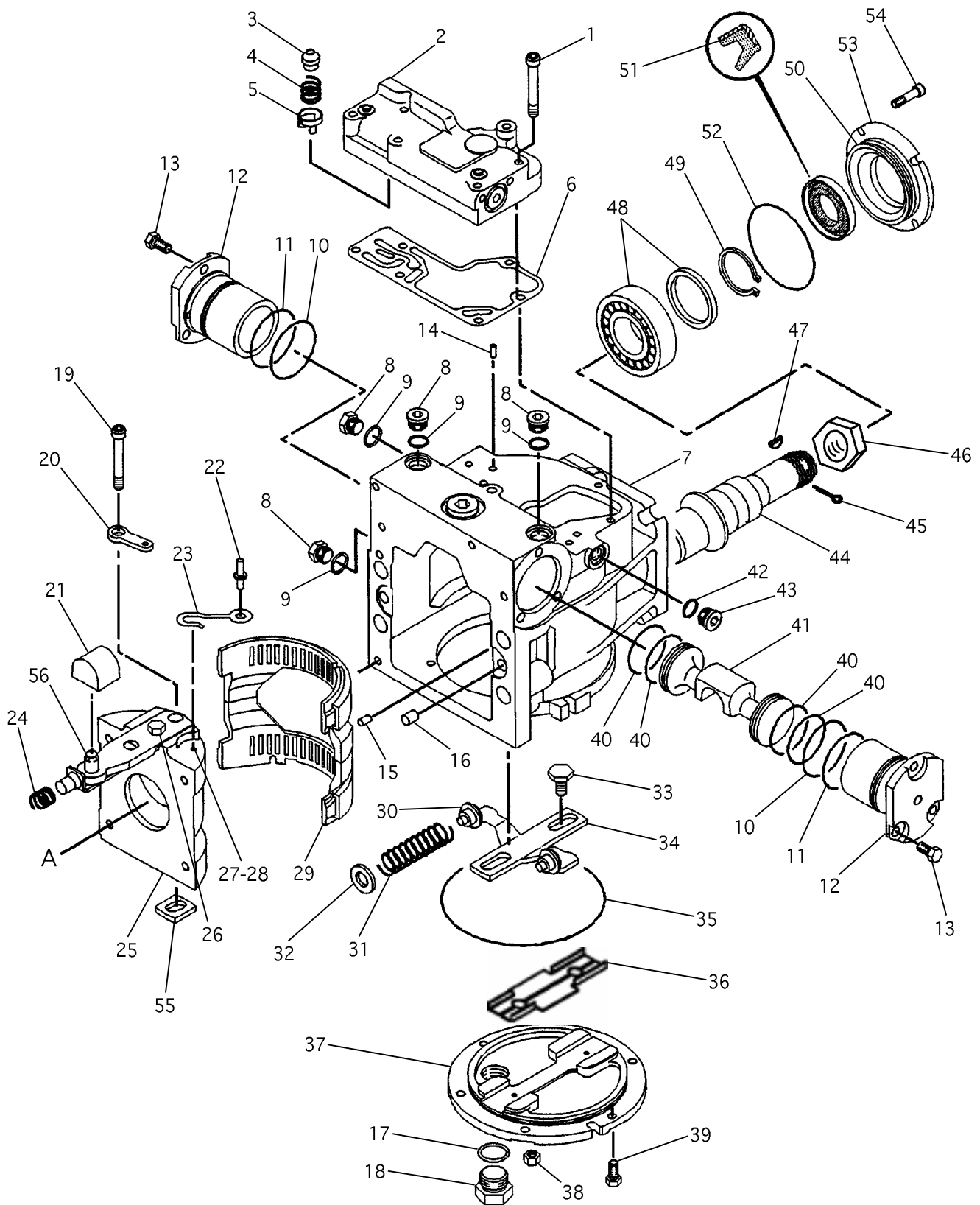
NOTE	REF NO	PART NUMBER	QTY	PART NAME	NOTE	REF NO	PART NUMBER	QTY	PART NAME
	1	1341836	9	PISTON AS					THE FOLLOWING REPAIR KITS ARE AVAILABLE: 1075896 1 MANIFOLD KIT (INCL PARTS MARKED H) 1G9205 1 SEAL KIT (INCL PARTS MARKED J) 5E8751 2 VALVE KIT (INCL PARTS MARKED L) 7R3825 1 VALVE KIT (INCL PARTS MARKED N) 1341835 1 BLOCK KIT-CYLINDER (INCL PARTS MARKED O) 1G9203 1 BLOCK KIT-CYLINDER (INCL PARTS MARKED P)
	2	1341838	1	GUIDE-SLIPPER					
P	3	1341839	2	BEARING-GUIDE			1075896	1	
JP	4	5E8784	4	BOLT					
	5	8T3957	2	BOLT-SOCKET HEAD			1G9205	1	
P	6	1733266	4	SPACER					
OPZ	7	-	1	BLOCK-CYLINDER			5E8751	2	
O	8	1341829	1	SEAT					
O	9	1341828	1	SPRING			7R3825	1	
O	10	1341830	1	RETAINER-SPRING					
O	11	1458613	1	RING-RETAINING			1341835	1	
	12	1456892	1	PLATE-VALVE					
	13	1G9193	1	BEARING-JOURNAL			1G9203	1	
Z	14	-	1	CAP-END					
J	15	1266638	1	GASKET-END CAP					
N	16	6R1702	1	NUT-SPECIAL					
N	17	6R1704	1	PLUG AS					
JN	18	2M9780	1	SEAL-O-RING (ORB-OD 24.2)					
N	19	5E8748	1	SPRING					
N	20	6R1703	1	POPPET					
	21	9S8004	3	PLUG-O-RING					
	22	3J1907	6	SEAL-O-RING (ORB-OD 15.9)					
	23	8T0338	2	BOLT-SOCKET HEAD					
H	24	5E8750	1	TUBE					
JH	25	7M8485	1	SEAL-O-RING (ORB-OD 35.7)					
H	26	5E8764	1	NUT					
H	27	1234576	1	MANIFOLD					
JL	28	5E9816	2	SEAL-O-RING (OD 23.9)					
JL	29	304605	2	SEAL-O-RING (OD 25.5)					
LZ	30	-	2	VALVE					
	31	5E8747	2	VALVE-CHECK					
	32	5E8777	2	PLUG					
	33	983039	1	WASHER					
	34	1266640	1	BRACKET-LIFTING					
	35	1341827	1	SPACER					
	36	9S8002	3	PLUG-O-RING					
	37	3J7354	3	SEAL-O-RING (ORB-OD 12.5)					
	38	9S4191	3	PLUG-STOP					
	39	7R3453	1	KEY					
	40	5E8743	2	BUSHING					
	41	1095165	1	SHAFT-CHARGE					
	42	1456895	1	PUMP-CHARGE					
	43	1G8025	1	COUPLING					
	44	1G9196	1	PIN					
	45	7X9294	1	COVER					
	46	1095166	1	COVER-CHARGE					
	47	5E8760	1	PLATE-RETAINING					
J	48	5E8771	1	SEAL-O-RING (OD 125.6)					
	49	6V8837	6	BOLT					
Z	50	-	1	FLANGE					
	51	1G8026	4	WASHER					
	52	960008	4	BOLT-SOCKET HEAD					
	53	6V1320	1	SEAL-O-RING (OD 104.9)					

Z - NOT SERVICED SEPARATELY

1243868 PUMP GP-PISTON PART 1 OF 2 (STEERING)

Part of 1266623 Pump Gp & Mounting

HYDRAULIC SYSTEM



REFER TO ALL ILLUSTRATIONS OF THIS GROUP

1243868 PUMP GP-PISTON PART 2 OF 2 (STEERING)
 Part of 1266623 Pump Gp & Mounting

HYDRAULIC SYSTEM

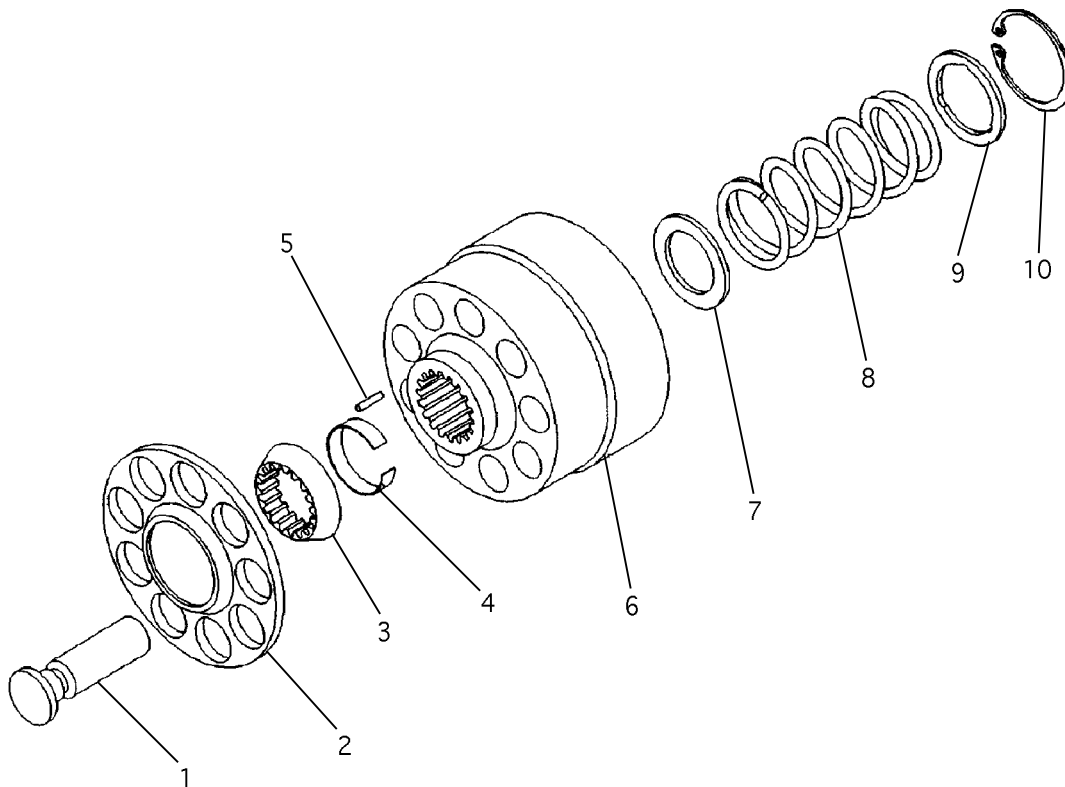
NOTE	REF NO	PART NUMBER	QTY	PART NAME	NOTE	REF NO	PART NUMBER	QTY	PART NAME
	1	8T9534	6	BOLT-SOCKET HEAD	J	52	1G9188	1	SEAL-O-RING (OD 100.2)
	2	1266641	1	CONTROL KIT		53	1G9189	1	PLATE-RETAINER
V	3	1G9326	1	ORFICE KIT		54	8T0269	4	BOLT-SOCKET HEAD
V	4	5E8742	1	SPRING	K	55	1802430	1	GUIDE-SWASHPLATE
V	5	5E8755	1	RETAINER-SPRING	K	56	1802429	1	ARM-SERVO
J	6	1230542	1	GASKET					
Z	7	-	1	HOUSING					
	8	9S8004	4	PLUG-O-RING					
	9	3J1907	4	SEAL-O-RING (ORB-OD 15.9)			1G9205	1	THE FOLLOWING REPAIR KITS ARE AVAILABLE:
JT	10	1G9192	2	SEAL-O-RING (OD 57.3)				1	SEAL KIT (INCL PARTS MARKED J)
JT	11	1G9191	2	SEAL-O-RING (OD 60.5)			1G9176	1	SWASHPLATE AS (INCL PARTS MARKED K)
TZ	12	-	2	CYLINDER				2	CYLINDER KIT-SERVO (INCL PARTS MARKED T)
T	13	6V5215	6	BOLT			1456897	1	COVER KIT-SIDE (INCL PARTS MARKED U)
	14	7X9232	3	FILTER-CONTROL SCREEN				1	ORFICE KIT (INCL PARTS MARKED V)
	15	5E8773	2	PIN			1716593	1	PISTON KIT-SERVO (INCL PARTS MARKED W)
	16	0778353	2	PIN					
	17	3D2824	1	SEAL-O-RING (ORB-OD 29.5)			1G9326	1	
	18	9S8008	1	PLUG-O-RING				2	
KM	19	1341825	1	BOLT (M8)			1G9202	2	
K	20	1456893	1	LINK-FEEDBACK					
	21	1266637	1	BLOCK-SLIDER					
	22	1G5755	1	PIN					
	23	1G9177	1	LINK-CAGE LOCK					
	24	1G9178	1	SPRING					
K	25	1G9176	1	SWASHPLATE AS					
KM	26	1341824	1	BOLT (M10)					
K	27	5E8774	1	PIN					
K	28	5E8791	1	WASHER					
	29	1G9175	1	BEARING W/RACE					
U	30	-	2	SEAT-SPRING					
	31	1G9183	2	SPRING					
	32	1G9181	2	SHIM					
U	33	-	2	POST-GUIDE					
U	34	-	1	LEVELER					
J	35	1G9182	1	SEAL-O-RING (OD 151)					
	36	1341832	1	COVER KIT-INSERT					
			1	SIDE COVER (LEFT)					
			1	SIDE COVER (RIGHT)					
	37	1350338	1	COVER					
J	38	5E8765	2	NUT					
J	39	1326697	6	BOLT					
JW	40	7X5448	1	RING KIT-PISTON					
			2	SEAL-O-RING					
			2	RING-PISTON					
W	41	1G9202	1	PISTON KIT-SERVO					
JW		4L7711	2	SEAL-O-RING (OD 47.8)					
	42	3J7354	1	SEAL-O-RING (ORB-OD 12.5)					
	43	9S8002	1	PLUG-O-RING					
	44	1456896	1	SHAFT					
	45	3B4622	1	COTTER					
	46	1883286	1	NUT-HEX					
	47	1B8741	1	KEY-WOODRUFF					
	48	1G9185	1	BEARING-ROLLER					
	49	6V7700	1	RING-RETAINING					
	50	1546880	1	SEAL GP-BASIC					
J	51	1G9187	1	SEAL-LIP					

Z - NOT SERVICED SEPARATELY

1243868 PUMP GP-PISTON PART 2 OF 2 (STEERING)

Part of 1266623 Pump Gp & Mounting

HYDRAULIC SYSTEM



NOTE	REF NO	PART NUMBER	QTY	PART NAME	NOTE	REF NO	PART NUMBER	QTY	PART NAME
	1	9T3868	1	PISTON KIT					
			9	PISTON					
	2	9T3860	1	PLATE					
	3	9T3859	1	WASHER-SPHERICAL					
	4	9T3862	1	RETAINER					
	5	9T3857	3	PIN					
	6	9T3863	1	BARREL					
	7	9T3861	1	WASHER					
	8	9T3858	1	SPRING					
	9	9T3864	1	WASHER					
	10	041683	1	RING-SNAP					

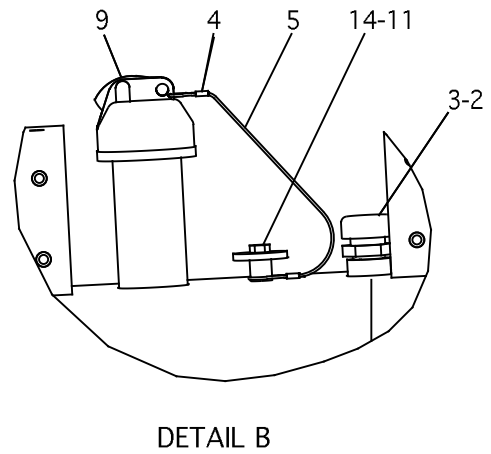
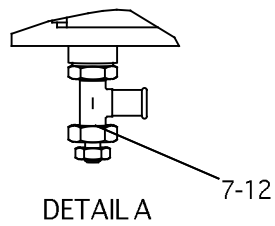
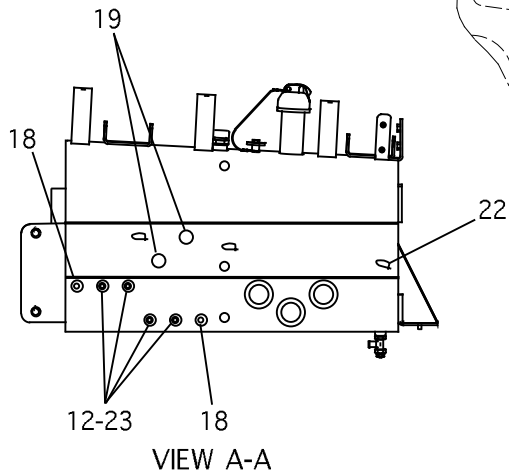
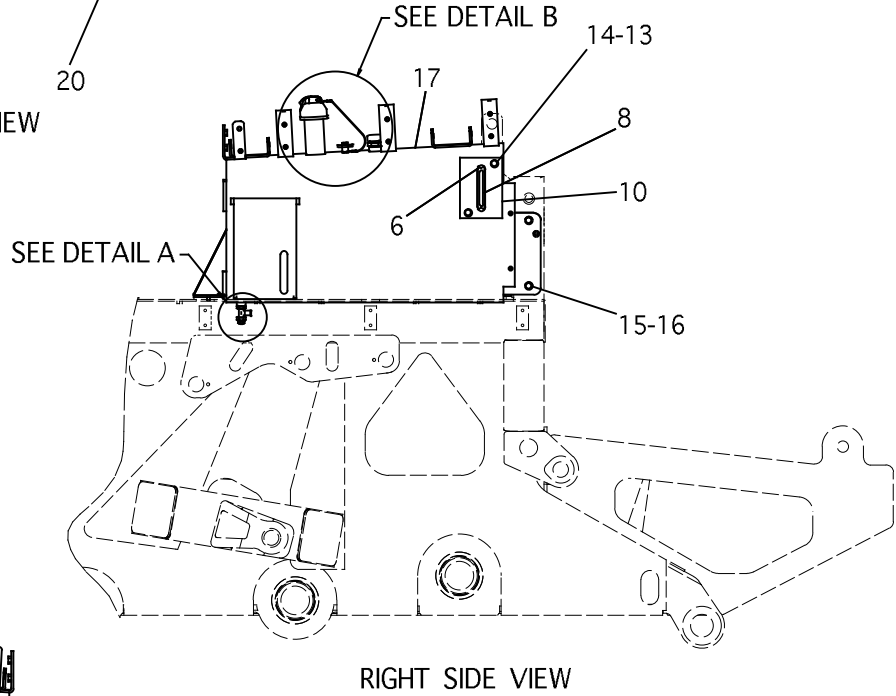
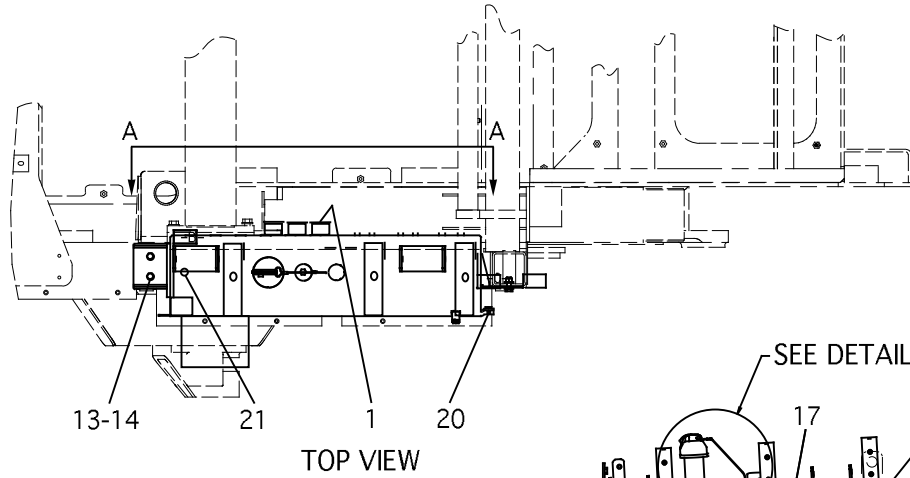
9T2031 ROTATING GP-IMPLEMENT PUMP

Part of 1243610 Pump Gp-Piston

NOTES

A large, empty rectangular box with a black border, intended for handwritten notes.

HYDRAULIC SYSTEM



1446666 TANK GP-HYDRAULIC
Part of 1447168 Hydraulic Ar

HYDRAULIC SYSTEM

NOTE	REF NO	PART NUMBER	QTY	PART NAME	NOTE	REF NO	PART NUMBER	QTY	PART NAME
	1	1G7663	3	STRAINER-SUCTION					
		304606	1	SEAL-O-RING (ORB-OD 65.4)					
	2	3D2824	1	SEAL-O-RING (ORB-OD 29.5)					
	3	3G4783	1	VALVE-BREATHER					
	4	5P7958	1	SLEEVE-CABLE					
	5	5R9956	1	CABLE AS					
		5P7958	1	SLEEVE-CABLE					
	6	6R0552	2	WASHER					
	7	7E4761	1	VALVE-SHUTOFF					
	8	775200	1	INDICATOR GP					
		1H1023	2	SEAL-O-RING (OD 12.8)					
		8F3469	4	SEAL-O-RING (OD 20.8)					
Y	9	1302965	1	FILLER GP-HYDRAULIC					
	10	1437564	1	PLATE					
	11	1156433	1	WASHER					
	12	3K0360	5	SEAL-O-RING (ORB-OD 20.8)					
M	13	8T4121	4	WASHER-HARD (M10)					
M	14	8T4137	5	BOLT-HEX (M10)					
M	15	8T4192	2	BOLT-HEX (M12)					
	16	7D1649	2	WASHER-HARD					
	17	1436403	1	TANK AS-HYDRAULIC					
	18	7J5544	7	FITTING					
	19	4J5050	2	BOSS					
M	20	8T3940	4	NUT-WELD (M10)					
	21	9R5271	1	BOSS					
	22	7T1099	3	LINK					
	23	9S8005	4	PLUG-O-RING					

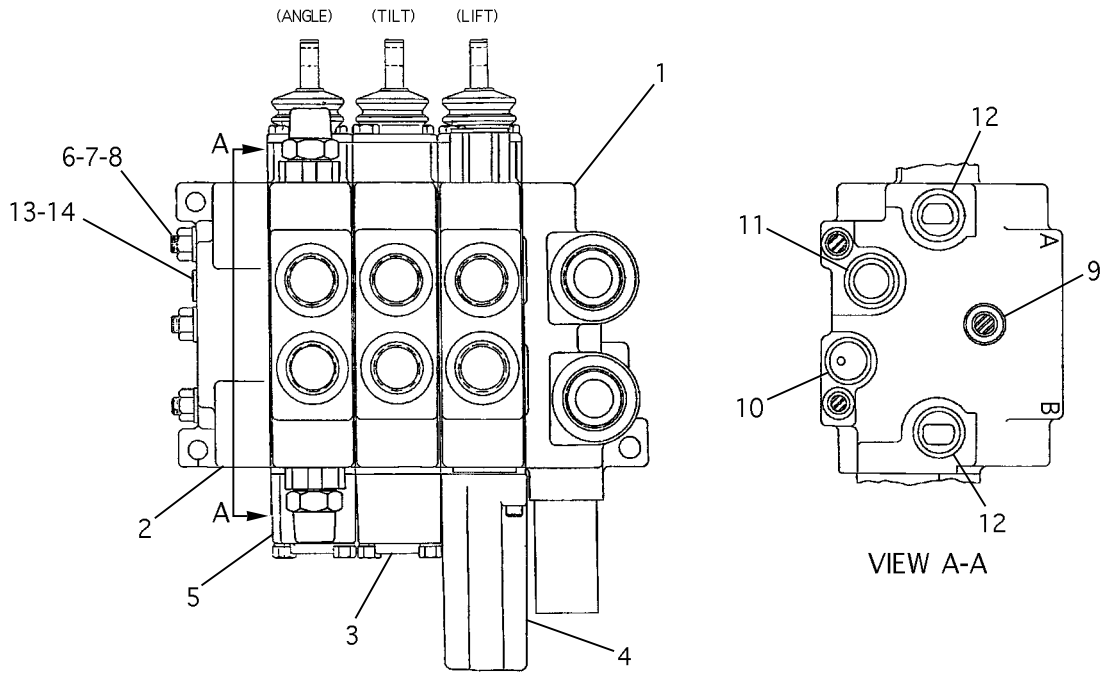
M - METRIC PART
Y - SEPARATE ILLUSTRATION

1446666 TANK GP-HYDRAULIC

1302965-Page 327

Part of 1447168 Hydraulic Ar

HYDRAULIC SYSTEM



NOTE	REF NO	PART NUMBER	QTY	PART NAME	NOTE	REF NO	PART NUMBER	QTY	PART NAME
Y	1	9T6695	1	VALVE GP-MAKE UP					
	2	4T2731	1	COVER					
Y	3	1U2745	1	VALVE GP-CONTROL (TILT)					
Y	4	9T6697	1	VALVE GP-CONTROL (LIFT)					
Y	5	9T9182	1	VALVE GP-CONTROL (ANGLE)					
	6	4T4518	3	STUD					
	7	1D4717	3	NUT-HEX (FULL)					
	8	5M2894	3	WASHER-HARD					
	9	4T2723	12	SHIM					
	10	4J5140	4	SEAL-O-RING (61 FLANGE-OD 25.7)					
	11	4J5267	4	SEAL-O-RING (61 FLANGE-OD 32.1)					
	12	4D9986	8	SEAL-O-RING (OD 28.7)					
	13	9S8004	1	PLUG-O-RING					
	14	3J1907	1	SEAL-O-RING (ORB-OD 15.9)					

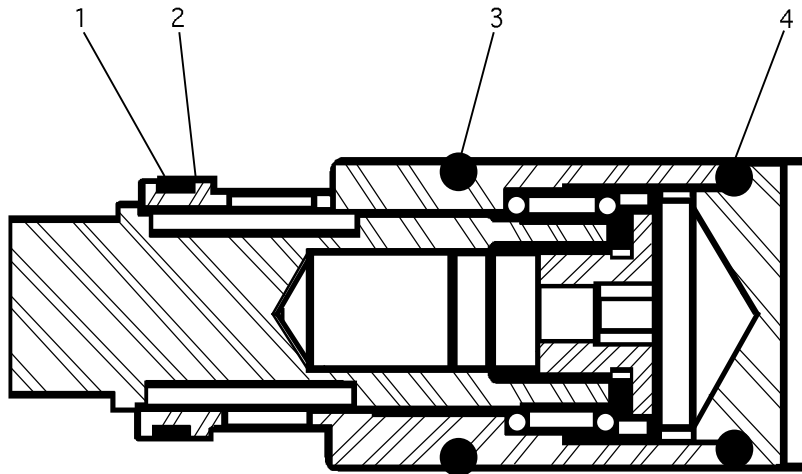
Y - SEPARATE ILLUSTRATION

9T9183 VALVE GP-BANK (BLADE)

9T6695-Page 388, 1U2745-Page 382, 9T6697-Page 383, 9T9182-Page 384
 Part of 1266569 Valve Gp & Mounting (Blade)

00

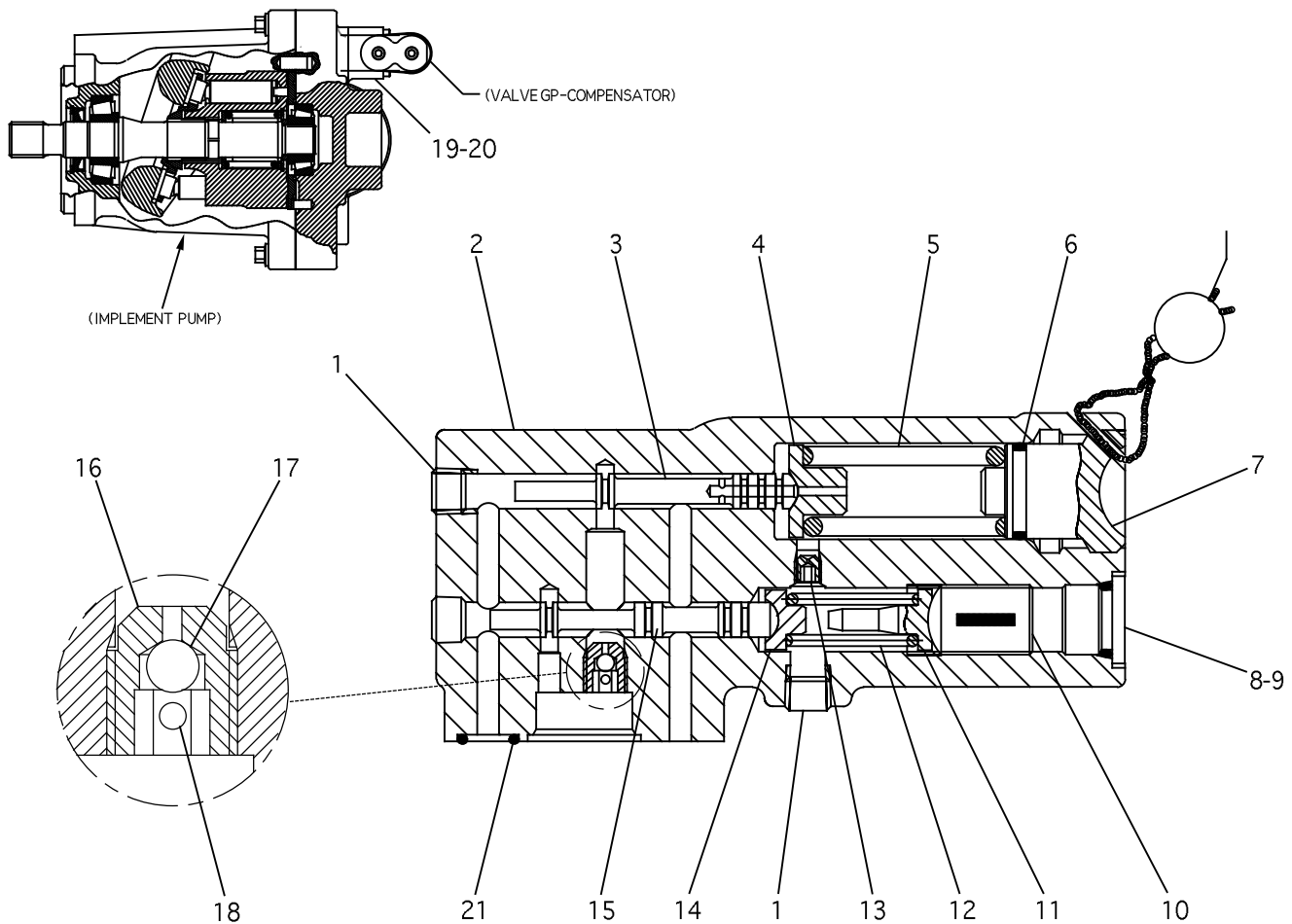
HYDRAULIC SYSTEM



NOTE	REF NO	PART NUMBER	QTY	PART NAME	NOTE	REF NO	PART NUMBER	QTY	PART NAME
	1	5K9090	1	SEAL-O-RING (ORFS-OD 28)					
	2	4T7795	1	RING-BACKUP					
	3	4K1388	1	SEAL-O-RING (ORB-OD 32.6)					
	4	3D2824	1	SEAL-O-RING (ORB-OD 29.5)					

1U2744 VALVE GP-CHECK (LIFT)
 Part of 9T6697 Valve Gp-Control (Lift)

HYDRAULIC SYSTEM



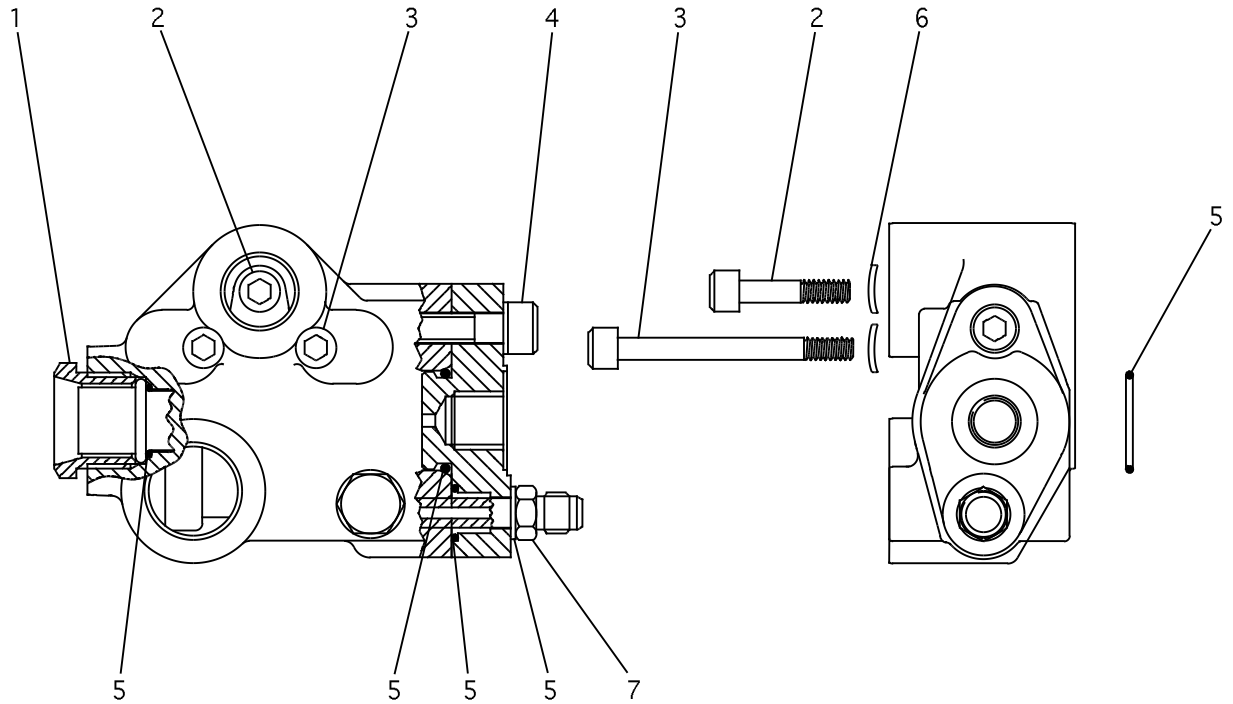
NOTE	REF NO	PART NUMBER	QTY	PART NAME	NOTE	REF NO	PART NUMBER	QTY	PART NAME
	1	3J6021	3	PLUG					
	2	9T7062	1	BODY					
	3	9T3816	1	SPOOL					
	4	9T3815	1	SEAT					
	5	9T3814	1	SPRING					
	6	5L4758	1	SEAL-O-RING (TUBE A/C-OD 17.6)					
	7	9T3813	1	PLUG					
	8	9S8003	1	PLUG-O-RING					
	9	1J9671	1	SEAL-O-RING (ORB-OD 14.1)					
	10	8T7931	1	SET SCREW-OVAL					
	11	9T3812	1	SEAT					
	12	9T6858	1	SPRING					
	13	9T3808	1	PLUG-ORIFICE					
	14	9T3810	1	SEAT					
	15	9T3809	1	SPOOL					
	16	6E0231	1	SEAT-CHECK VALVE					
	17	3E4354	1	BALL					
	18	2S9600	1	DOWEL					
K	19	9S8002	1	PLUG-O-RING					
K	20	3J7354	1	SEAL-O-RING (ORB-OD 12.5)					
A	21	5F9144	1	SEAL-O-RING (TUBE A/C-OD 11.2)					

A - NOT PART OF THIS GROUP
 K - ITEM USED IN ALTERNATE SIGNAL PORT

1476712 VALVE GP-COMPENSATOR

Part of 1243610 Pump Gp-Piston

HYDRAULIC SYSTEM

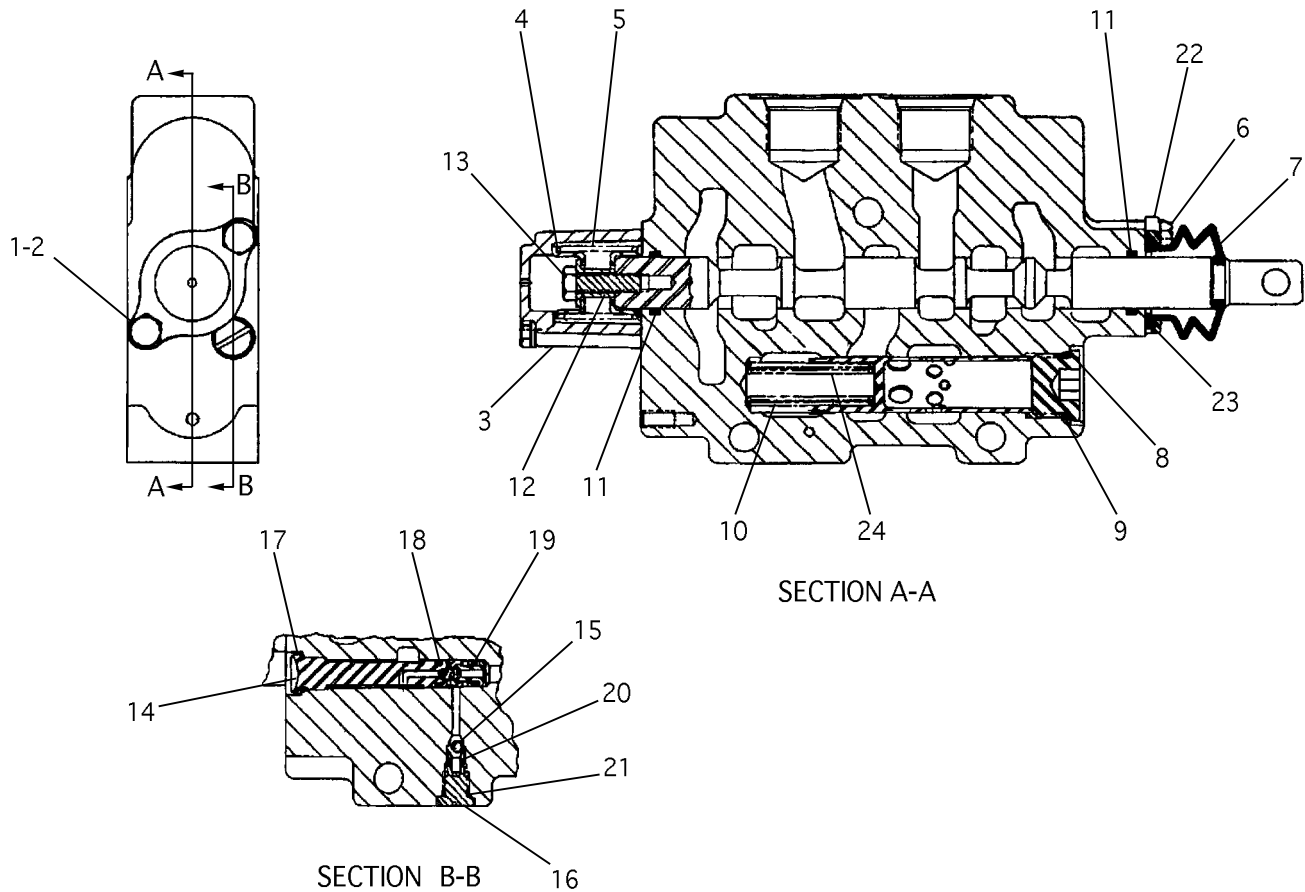


NOTE	REF NO	PART NUMBER	QTY	PART NAME	NOTE	REF NO	PART NUMBER	QTY	PART NAME
	1	1483069	1	PLUG					
	2	1483070	1	BOLT-SOCKET HEAD					
	3	0950645	2	BOLT-SOCKET HEAD					
	4	5A3604	1	BOLT-HEX SOCKET					
	5	1483067	1	SEAL KIT					
			1	SEAL-O-RING (28.3 OD)					
			1	SEAL-O-RING (21.4 OD)					
	6	8T2229	3	SPRING					
	7	1483068	1	FITTING (M-STOR,M-JIC)					

1643014 VALVE GP-FAN SPEED CONTROL

Part of 1450072 Mounting Gp-Fan Drive

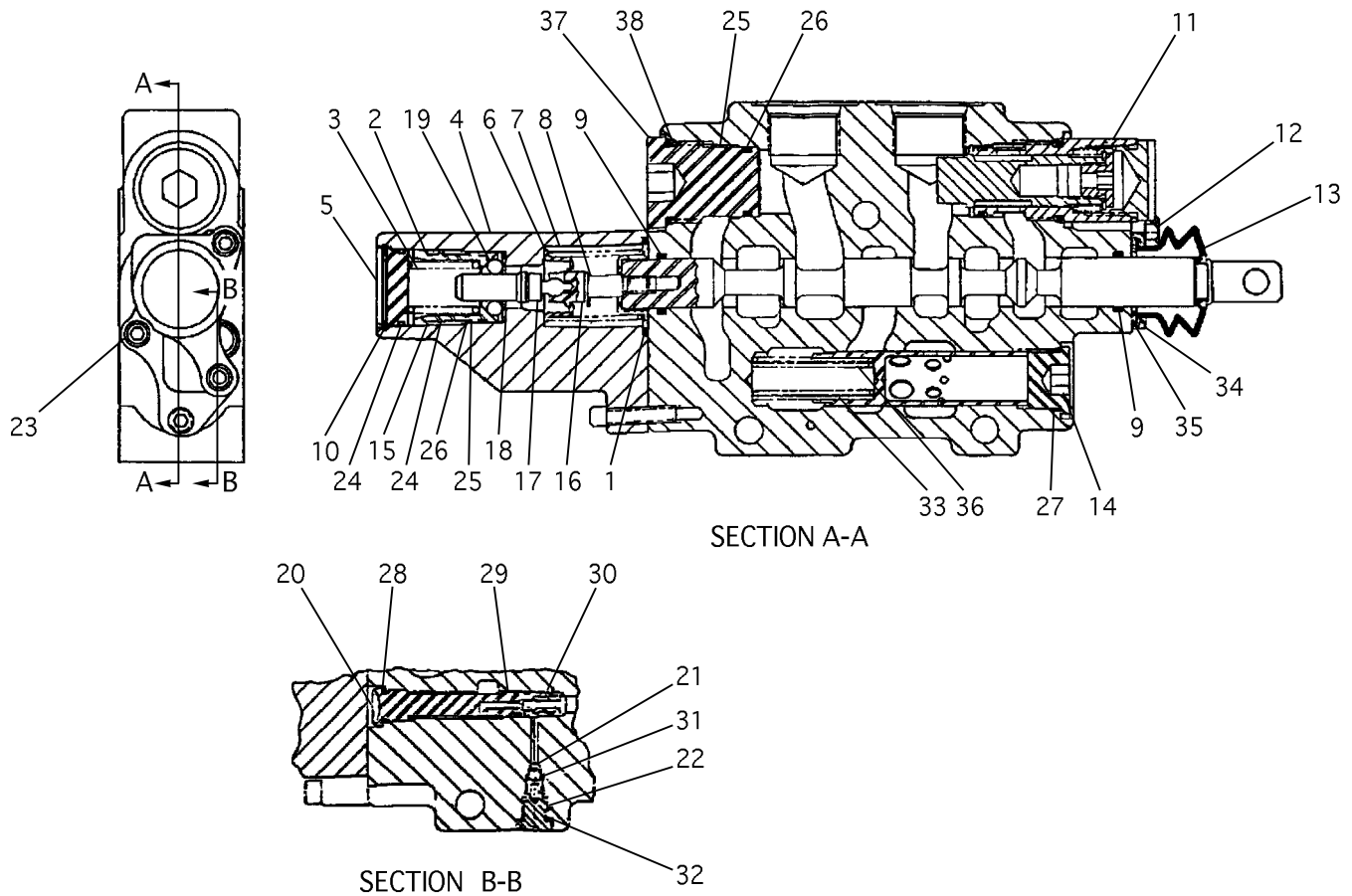
HYDRAULIC SYSTEM



NOTE	REF NO	PART NUMBER	QTY	PART NAME	NOTE	REF NO	PART NUMBER	QTY	PART NAME
	1	8B2377	2	BOLT		22	4T4528	1	RETAINER
	2	5P0537	2	WASHER-HARD		23	4T4520	1	FILTER
	3	6E5564	1	HOUSING		24	4T7810	1	SPRING
	4	4T4521	2	RETAINER					
	5	9T0874	1	SPRING-SPOOL					
	6	0310214	2	BOLT-LOCKING					
	7	4T4524	1	GUARD-DUST					
	8	9S8006	1	PLUG-O-RING					
	9	2M9780	1	SEAL-O-RING (ORB-OD 24.2)					
	10	4T4534	1	SPRING					
	11	7F8607	2	SEAL-O-RING (OD 24)					
	12	4T4533	1	SPACER					
	13	0315085	1	BOLT-LOCKING					
	14	4T4525	1	VALVE-RESOLVER					
	15	5B9318	1	BALL					
	16	4T4526	1	SEAT-SHUTTLE					
	17	3J7354	1	SEAL-O-RING (ORB-OD 12.5)					
	18	1P7363	1	SEAL-O-RING (OD 9.6)					
	19	8T2361	1	SEAL-O-RING					
	20	8T2360	1	SEAL-O-RING (OD 8)					
	21	7J0204	1	SEAL-O-RING (ORB-OD 10.9)					

1U2745 VALVE GP-CONTROL (TILT)
 Part of 9T9183 Valve Gp-Bank (Blade)

HYDRAULIC SYSTEM



NOTE	REF NO	PART NUMBER	QTY	PART NAME	NOTE	REF NO	PART NUMBER	QTY	PART NAME
	1	8F0212	1	SEAL-O-RING (OD 35)		22	4T4526	1	SEAT-SHUTTLE
	2	4T7801	1	PISTON		23	8H0707	3	BOLT
	3	9T0822	1	SPRING-DETENT		24	5L4759	2	SEAL-O-RING (OD 28.7)
	4	6E6411	1	HOUSING		25	4T7795	2	RING-BACKUP
	5	6E6410	1	RETAINER-PISTON		26	5K9090	1	SEAL-O-RING (ORFS-OD 28)
	6	4T4521	2	RETAINER		27	2M9780	1	SEAL-O-RING (ORB-OD 24.2)
	7	4T4513	1	SPRING		28	3J7354	1	SEAL-O-RING (ORB-OD 12.5)
	8	4T7803	1	SPACER		29	1P7363	1	SEAL-O-RING (OD 9.6)
	9	7F8607	2	SEAL-O-RING (OD 24)		30	8T2361	1	SEAL-O-RING
	10	8J6273	1	RING-RETAINING		31	8T2360	1	SEAL-O-RING (OD 8)
Y	11	1U2744	1	VALVE GP-CHECK		32	7J0204	1	SEAL-O-RING (ORB-OD 10.9)
	12	0310214	2	BOLT-LOCKING		33	4T4534	1	SPRING
	13	4T4524	1	GUARD-DUST		34	4T4528	1	RETAINER
	14	9S8006	1	PLUG-O-RING		35	4T4520	1	FILTER
	15	4T7791	1	RING-BACKUP		36	4T7810	1	SPRING
	16	4T4530	1	COUPLING		37	4T4531	1	PLUG
	17	9T3826	1	SHAFT		38	4K1388	1	SEAL-O-RING (ORB-OD 32.6)
	18	9T0825	1	WASHER-GUIDE					
	19	5H1472	8	BALL					
	20	4T4525	1	VALVE-RESOLVER					
	21	5B9318	1	BALL					

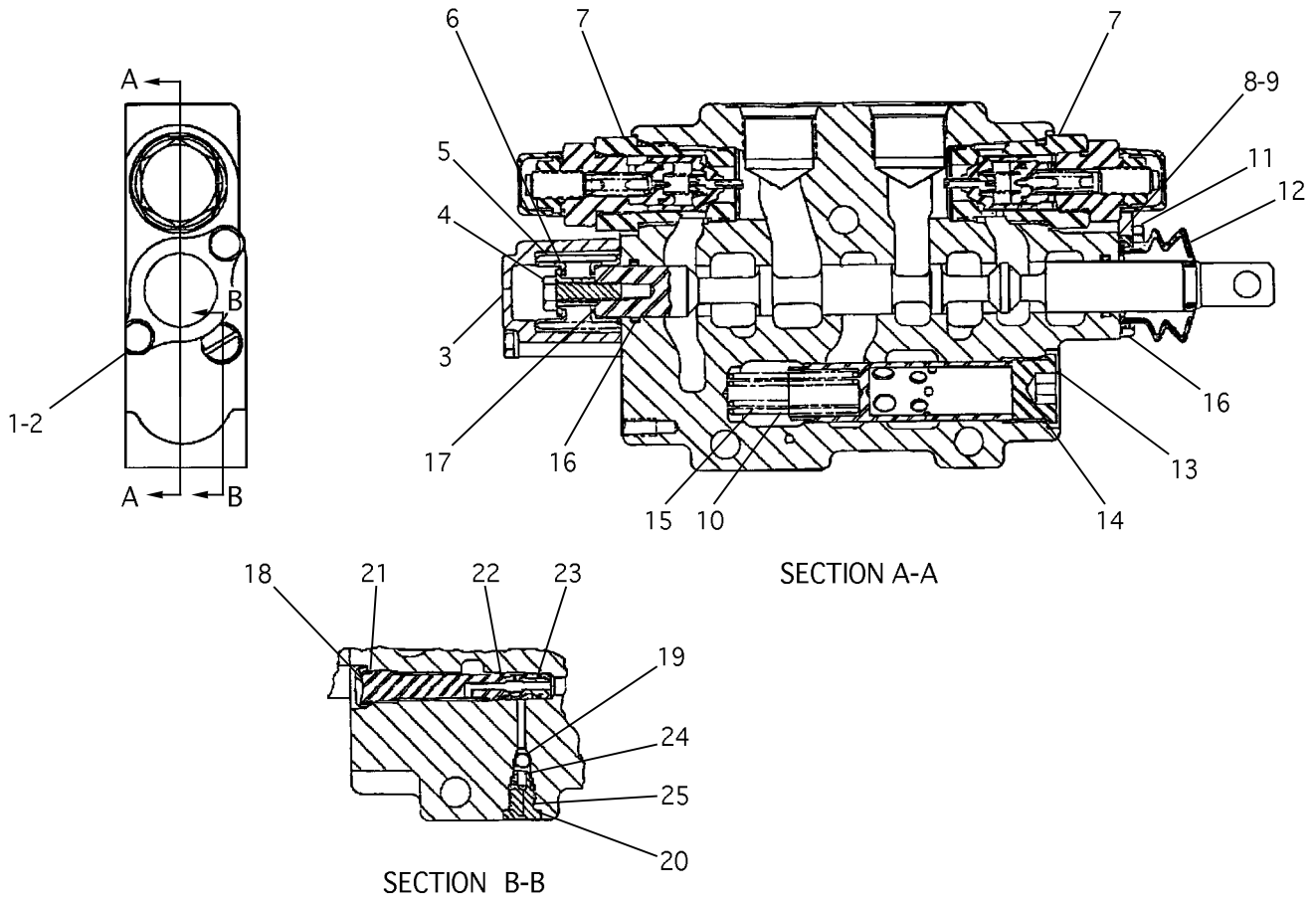
Y - SEPARATE ILLUSTRATION

9T6697 VALVE GP-CONTROL (LIFT)

1U2744-Page 379

Part of 9T9183 Valve Gp-Bank (Blade)

HYDRAULIC SYSTEM



NOTE	REF NO	PART NUMBER	QTY	PART NAME	NOTE	REF NO	PART NUMBER	QTY	PART NAME
Y	1	8B2377	2	BOLT		22	1P7363	1	SEAL-O-RING (OD 9.6)
	2	5P0537	2	WASHER-HARD		23	8T2361	1	SEAL-O-RING
	3	6E5564	1	HOUSING		24	8T2360	1	SEAL-O-RING (OD 8)
	4	0315085	1	BOLT-LOCKING		25	7J0204	1	SEAL-O-RING (ORB-OD 10.9)
	5	9T0874	1	SPRING-SPOOL					
	6	4T4533	1	SPACER					
	7	6E0772	2	VALVE GP-PRESS RELIEF					
	8	4T4520	1	FILTER					
	9	4T4528	1	RETAINER					
	10	4T4534	1	SPRING					
	11	0310214	2	BOLT-LOCKING					
	12	4T4524	1	GUARD-DUST					
	13	9S8006	1	PLUG-O-RING					
	14	2M9780	1	SEAL-O-RING (ORB-OD 24.2)					
	15	4T7810	1	SPRING					
	16	7F8607	2	SEAL-O-RING (OD 24)					
	17	4T4521	2	RETAINER					
	18	4T4525	1	VALVE-RESOLVER					
	19	5B9318	1	BALL					
	20	4T4526	1	SEAT-SHUTTLE					
	21	3J7354	1	SEAL-O-RING (ORB-OD 12.5)					

Y - SEPARATE ILLUSTRATION

9T9182 VALVE GP-CONTROL (ANGLE)

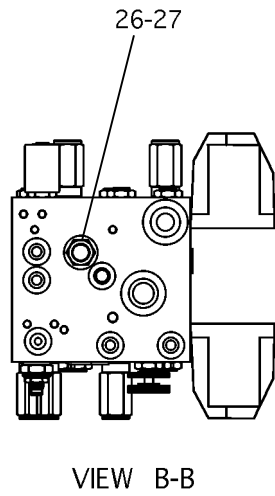
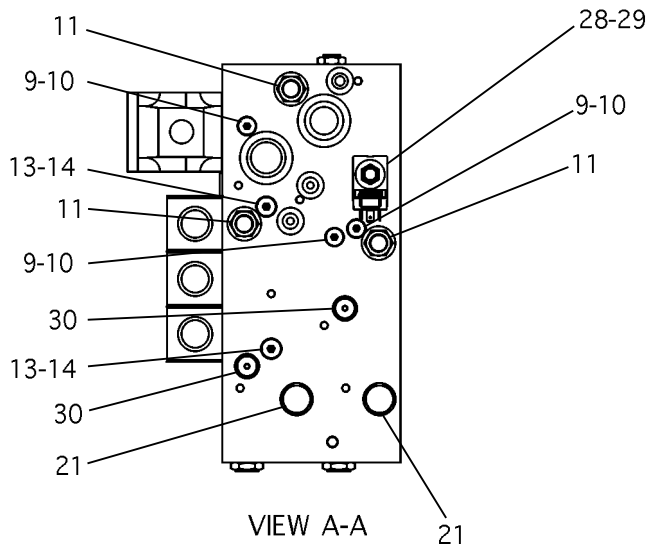
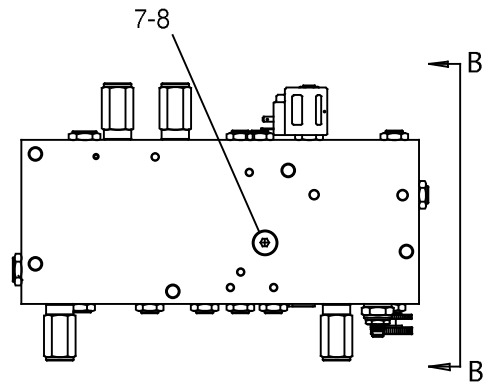
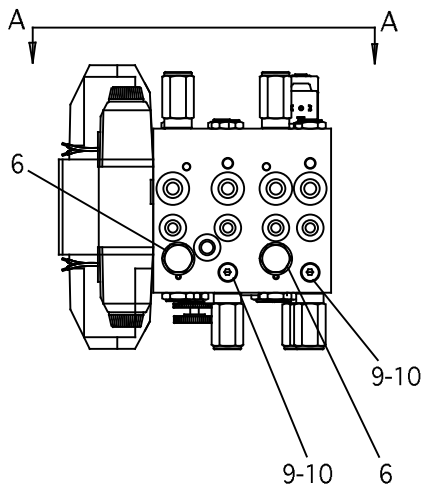
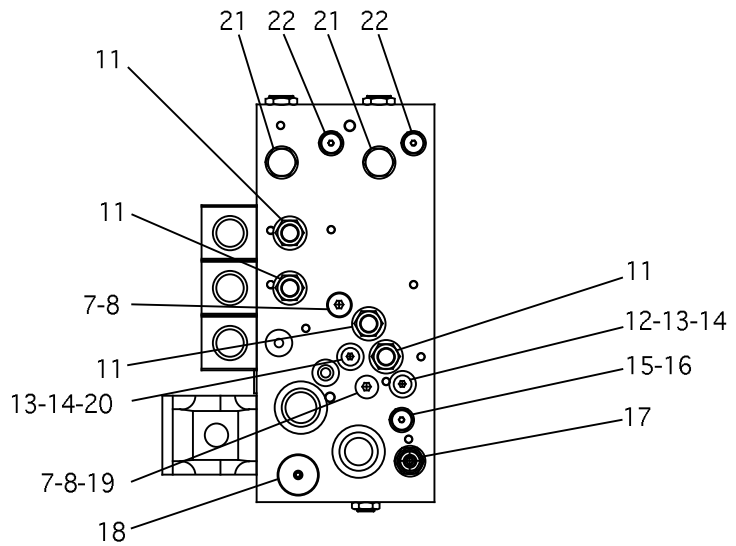
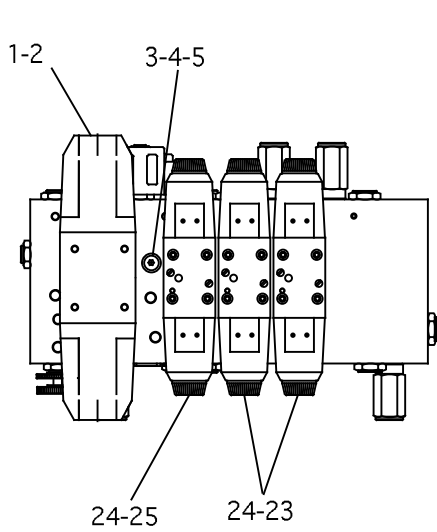
6E0772-Page 394

Part of 9T9183 Valve Gp-Bank (Blade)

NOTES

A large, empty rectangular box with a black border, intended for handwritten notes.

HYDRAULIC SYSTEM



1244624 VALVE GP-CONTROL (MULTI-FUNCTION)

Part of 1448607 Manifold Gp

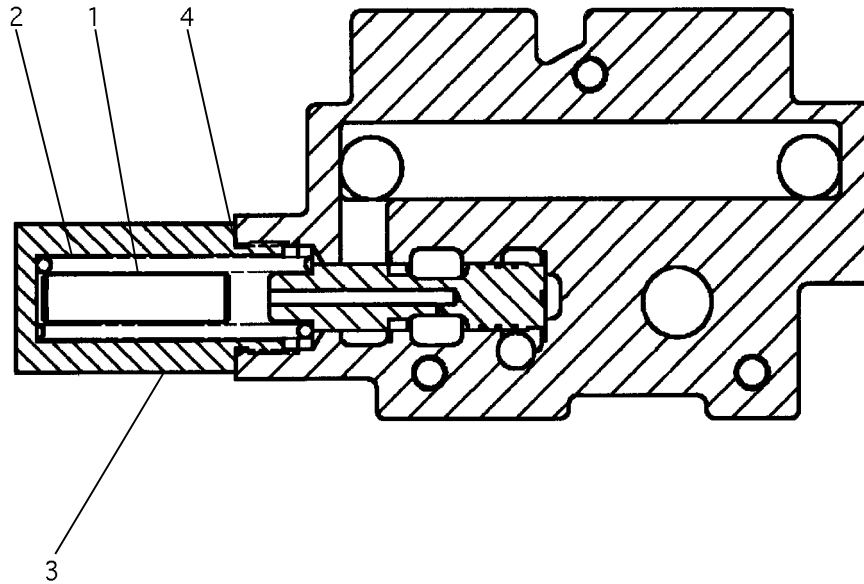
HYDRAULIC SYSTEM

NOTE	REF NO	PART NUMBER	QTY	PART NAME	NOTE	REF NO	PART NUMBER	QTY	PART NAME
	1	1501745	1	VALVE-DIRECTION					
	2	1501762	1	BOLT KIT					
			4	BOLT					
			4	WASHER					
	3	1197919	1	CHECK KIT-SENSOR					
			1	SPRING					
			1	GUIDE-SPRING					
			1	BALL-CHROME					
			1	PLUG W/SAE O-RING					
	4	9S8002	1	PLUG-O-RING					
	5	3J7354	1	SEAL-O-RING (ORB-OD 12.5)					
	6	6E6042	2	VALVE GP-CHECK					
		2M9780	1	SEAL-O-RING (ORB-OD 24.2)					
		6V6923	1	RING-BACKUP					
		0336033	1	SEAL-O-RING (ORFS-OD 16)					
	7	9S8005	3	PLUG-O-RING					
	8	3K0360	3	SEAL-O-RING (ORB-OD 20.8)					
	9	9S8003	5	PLUG-O-RING					
	10	1J9671	5	SEAL-O-RING (ORB-OD 14.1)					
	11	1501750	7	VALVE-SHUTTLE					
	12	1501749	1	PLUG-ORIFICE					
	13	9S8004	4	PLUG-O-RING					
	14	3J1907	4	SEAL-O-RING (ORB-OD 15.9)					
	15	1501757	1	VALVE-PRESS RELIEF					
	16	1501763	1	DISC-ORIFICE					
	17	1501742	1	VALVE-PILOT					
	18	1501754	1	VALVE-NEEDLE					
	19	1501756	1	PLUG-ORIFICE					
	20	1285098	1	PLUG-ORIFICE					
	21	1501755	4	VALVE-PILOT CHECK					
	22	1501759	2	VALVE-RELIEF					
	23	1501748	2	VALVE-DIRECTION					
	24	1501761	3	BOLT KIT					
			4	BOLT					
	25	1501747	1	VALVE-DIRECTION					
	26	1501753	1	VALVE-CHECK					
	27	1501764	1	DISC-ORIFICE					
	28	1501760	1	VALVE-SOLENOID					
	29	1503615	1	COIL-SOLENOID					
	30	1501758	2	VALVE-PRESS RELIEF					

1244624 VALVE GP-CONTROL (MULTI-FUNCTION)

Part of 1448607 Manifold Gp

HYDRAULIC SYSTEM



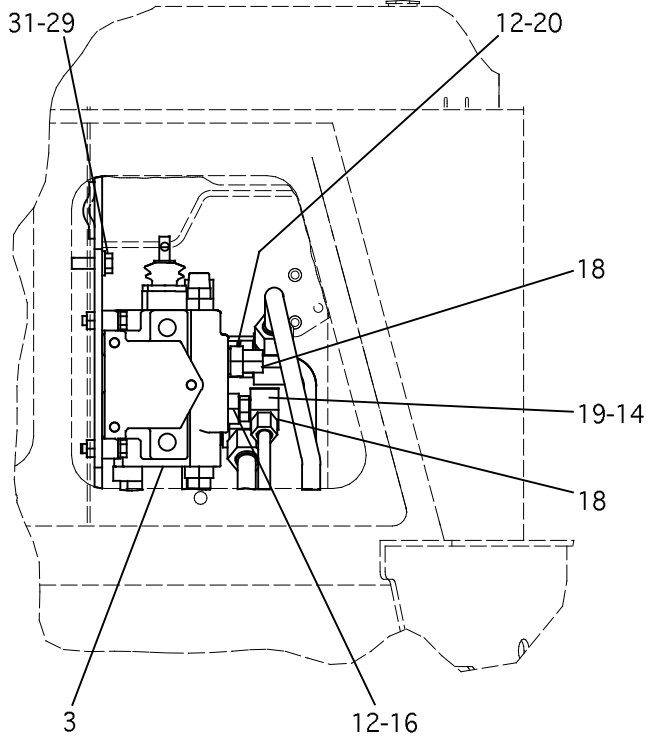
NOTE	REF NO	PART NUMBER	QTY	PART NAME	NOTE	REF NO	PART NUMBER	QTY	PART NAME
	1	7M1201	1	DOWEL					
	2	9T6694	1	SPRING					
	3	9T0657	1	PLUG					
	4	4K1388	1	SEAL-O-RING (ORB-OD 32.6)					

9T6695 VALVE GP-IMPLEMENT MAKE UP
 Part of 9T9183 Valve Gp-Bank (Blade)

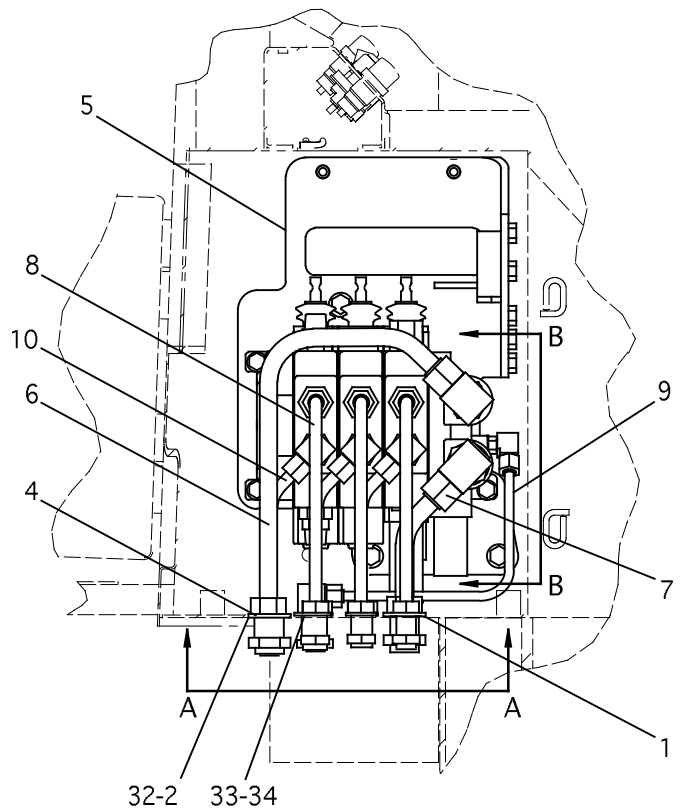
NOTES

A large, empty rectangular box with a black border, intended for handwritten notes.

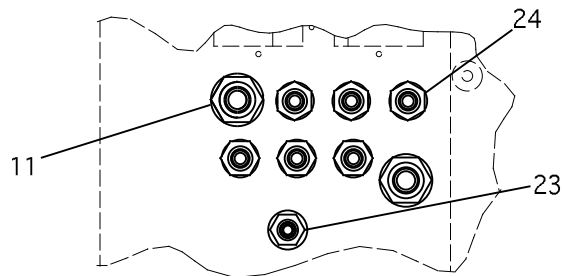
HYDRAULIC SYSTEM



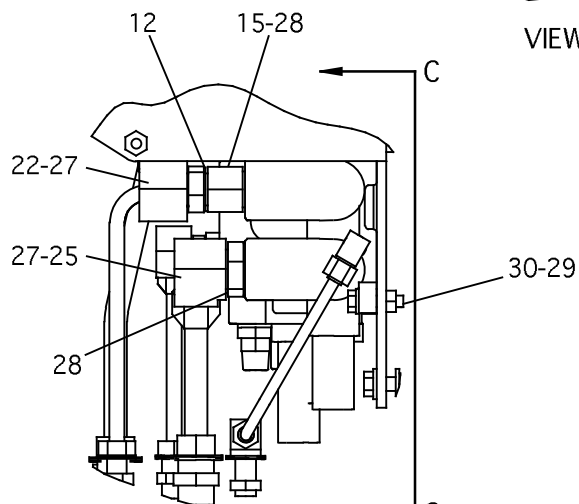
RIGHT SIDE VIEW



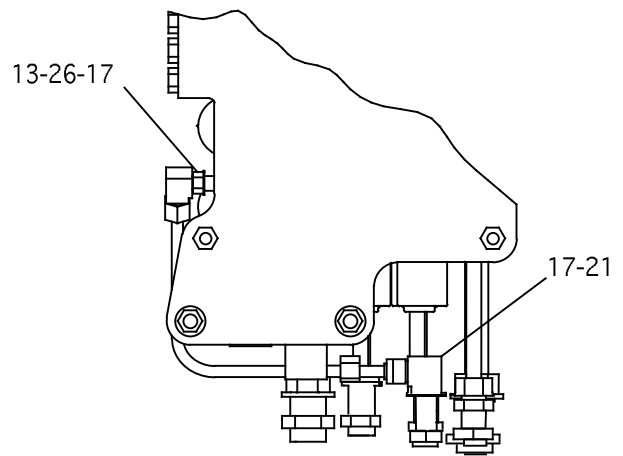
FRONT VIEW



VIEW A-A



VIEW B-B



VIEW C-C

1266569 VALVE GP & MOUNTING (BLADE)

Part of 1447167 Hydraulic Ar-Aux

HYDRAULIC SYSTEM

NOTE	REF NO	PART NUMBER	QTY	PART NAME	NOTE	REF NO	PART NUMBER	QTY	PART NAME
	1	2W6047	6	WASHER					
	2	1728816	2	SHIM (3.0 MM)					
Y	3	9T9183	1	VALVE GP-BANK 3					
B	4	0677832	2	WASHER-BEARING					
	5	1318119	1	PLATE AS					
	6	8T3490	12	NUT-WELD					
	6	1769957	1	TUBE AS					
		6V8556	1	NUT-ORFS					
		6V8563	1	SLEEVE-ORFS					
	7	1340309	1	TUBE AS					
		6V8556	1	NUT-ORFS					
		6V8563	1	SLEEVE-ORFS					
	8	1728386	3	TUBE AS					
		6V8554	1	NUT-ORFS					
		6V8561	1	SLEEVE-ORFS					
	9	1728223	1	TUBE AS					
		6V8553	2	NUT-ORFS					
		6V8560	2	SLEEVE-ORFS					
	10	1728392	3	TUBE AS					
		6V8554	1	NUT-ORFS					
		6V8561	1	SLEEVE-ORFS					
	11	2P1293	2	LOCKNUT-BULKHEAD					
	12	3D2824	7	SEAL-O-RING (ORB-OD 29.5)					
	13	3J7354	1	SEAL-O-RING (ORB-OD 12.5)					
	14	3K0360	3	SEAL-O-RING (ORB-OD 20.8)					
	15	6V0301	1	ADAPTER (M,F-STOR)					
	16	6V1722	3	ADAPTER (M,F-STOR)					
	17	6V8397	2	SEAL-O-RING (ORFS-OD 13.8)					
	18	6V8398	6	SEAL-O-RING (ORFS-OD 16)					
	19	6V8625	3	ELBOW 90° (M-ORFS,M-STOR)					
	20	6V8633	3	CONNECTOR (M-ORFS,M-STOR)					
	21	6V8980	1	ELBOW 90° (M,F-ORFS)					
	22	6V9007	1	ELBOW 90° (M-ORFS,M-STOR)					
	23	6V9168	1	NUT-BULKHEAD					
	24	6V9169	6	NUT-BULKHEAD					
	25	6V9182	1	ELBOW 90° (M-ORFS,M-STOR)					
	26	6V9200	1	ELBOW 90° (M-ORFS,M-STOR)					
	27	6V9746	2	SEAL-O-RING (ORFS-OD 23.4)					
	28	7M8485	2	SEAL-O-RING (ORB-OD 35.7)					
	29	8T4121	6	WASHER-HARD					
M	30	8T4186	3	BOLT-HEX (M10)					
M	31	8T4195	6	WASHER-HARD (M10)					
	32	1728817	2	SHIM (1.5 MM)					
	33	1728818	6	SHIM (3.0 MM)					
	34	1728819	6	SHIM (1.5 MM)					

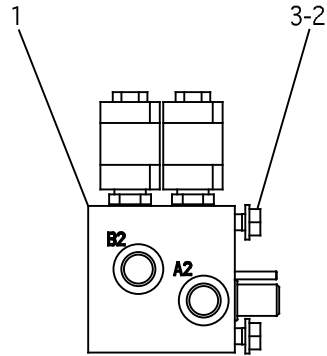
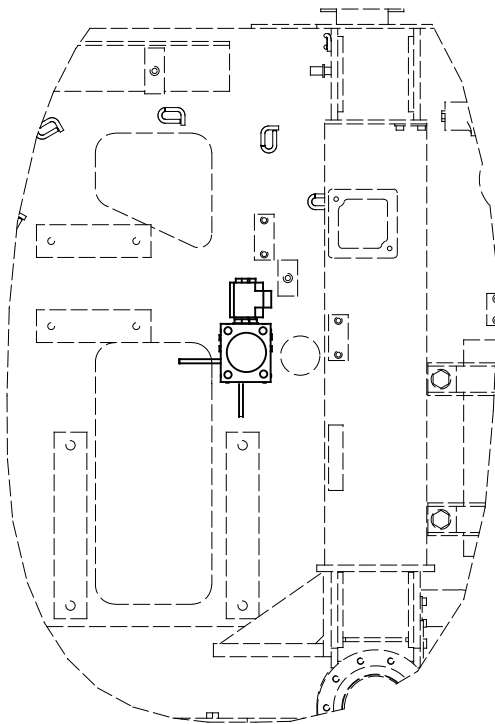
B - USE AS REQUIRED
M - METRIC PART
Y - SEPARATE ILLUSTRATION

1266569 VALVE GP & MOUNTING (BLADE)

9T9183-Page 378

Part of 1447167 Hydraulic Ar-Aux

HYDRAULIC SYSTEM



LEFT SIDE VIEW

NOTE	REF NO	PART NUMBER	QTY	PART NAME	NOTE	REF NO	PART NUMBER	QTY	PART NAME
Y	1	1449746	1	VALVE GP-SOLENOID					
	2	8T4121	4	WASHER-HARD					
	3	8T4136	4	BOLT-HEX					

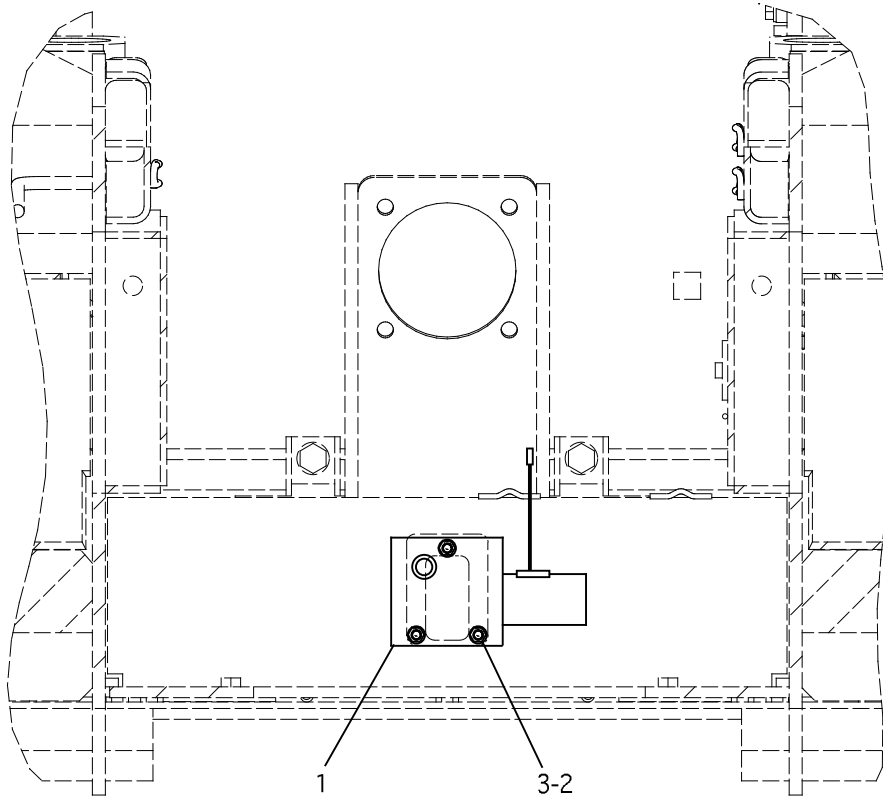
Y - SEPARATE ILLUSTRATION

1266575 VALVE GP & MOUNTING (LOCK OUT)

1449746-Page 397

Part of 1697418 and 1804169 Lines Gp-Accumulator

HYDRAULIC SYSTEM



NOTE	REF NO	PART NUMBER	QTY	PART NAME	NOTE	REF NO	PART NUMBER	QTY	PART NAME
Y	1	1548067	1	VALVE GP-SOLENOID					
	2	8T4224	3	WASHER-HARD					
M	3	8T6870	3	BOLT (M8)					

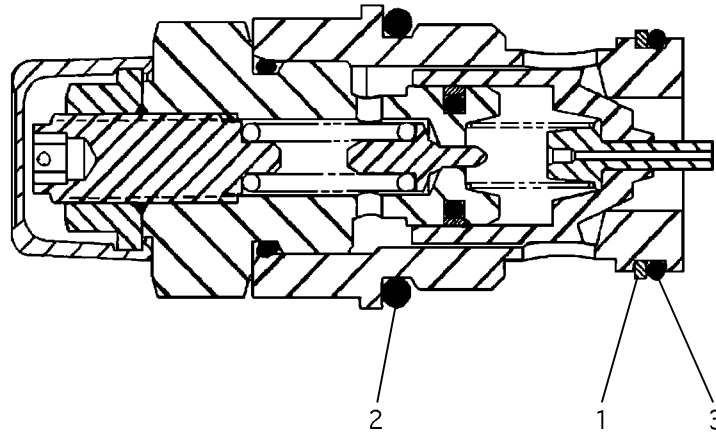
M - METRIC PART
Y - SEPARATE ILLUSTRATION

1321207 VALVE GP & MOUNTING (BLADE LOCK)

1548067-Page 395

Part of 1266556 Lines Gp-Lift Cyl

HYDRAULIC SYSTEM

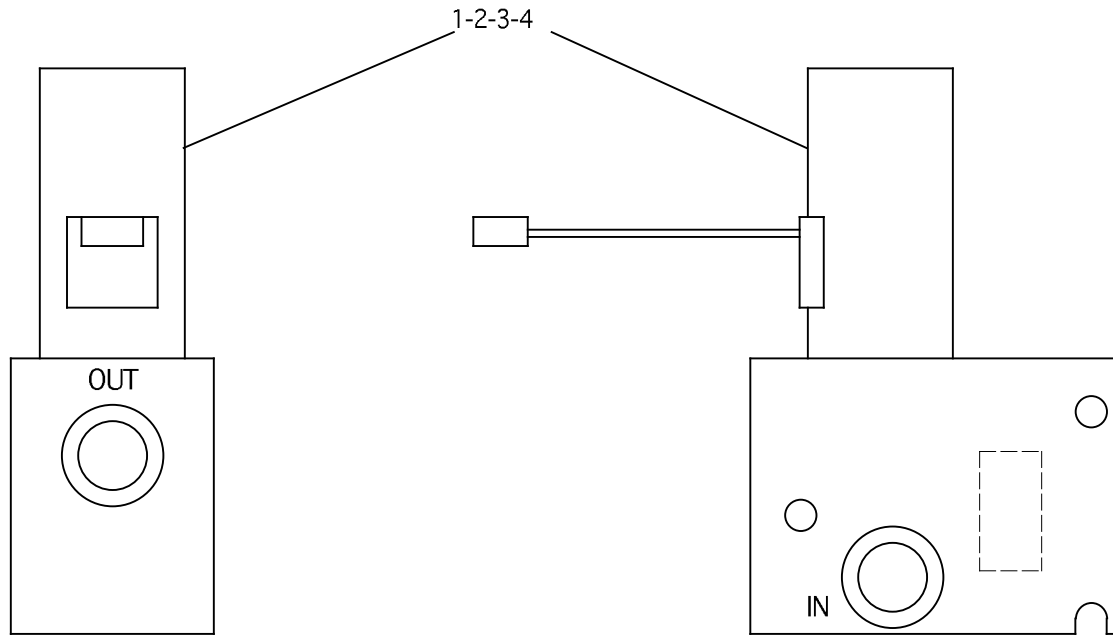


NOTE	REF NO	PART NUMBER	QTY	PART NAME	NOTE	REF NO	PART NUMBER	QTY	PART NAME
	1	6E0358	1	RING-BACKUP					
	2	4K1388	1	SEAL-O-RING (ORB-OD 32.6)					
	3	5K9090	1	SEAL-O-RING (ORFS-OD 28)					

6E0772 VALVE GP-PRESSURE RELIEF (ANGLE)

Part of 9T9182 Valve Gp-Control (Angle)

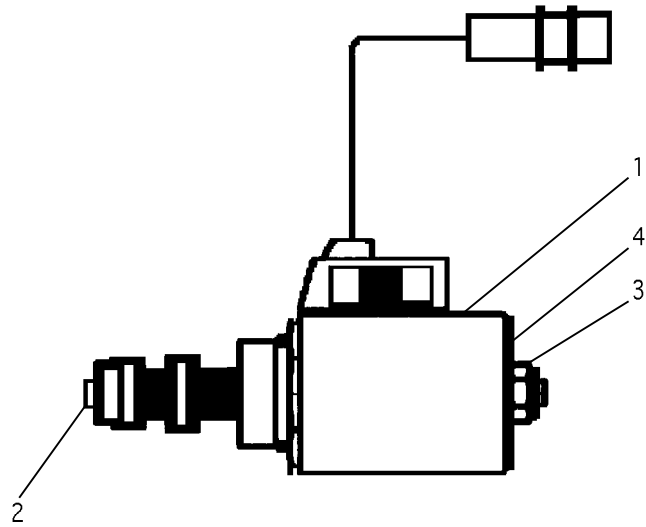
HYDRAULIC SYSTEM



NOTE	REF NO	PART NUMBER	QTY	PART NAME	NOTE	REF NO	PART NUMBER	QTY	PART NAME
	1	1599037	1	CARTRIDGE-SOLENOID					
	2	1599038	1	SEAL KIT-SOLENOID					
			1	SEAL-O-RING (OD 29.4)					
			1	SEAL-O-RING (OD 22.4)					
			1	RING-BACKUP					
	3	1599039	1	SEAL KIT-COIL					
			1	NUT					
			2	SEAL-O-RING					
	4	1599043	1	COIL					

1548067 VALVE GP-SOLENOID (BLADE LOCK)
 Part of 1321207 Valve Gp & Mounting (Blade Lock)

HYDRAULIC SYSTEM



NOTE	REF NO	PART NUMBER	QTY	PART NAME	NOTE	REF NO	PART NUMBER	QTY	PART NAME
F	1	1427324	1	COIL AS					
		1S9593	2	STRAP-CABLE					
		7N7779	1	SOCKET-CONNECTOR					
		7N7780	1	PIN-CONNECTOR					
		7N9737	1	HOUSING-PLUG					
	2	1444644	1	CARTRIDGE AS					
	3	1110343	1	LOCKNUT					
	4	1495628	1	WASHER					
	-	1004083	1	SEAL KIT					
		6V5142	1	SEAL-O-RING (ORFS-OD 19.2)					
		6V5758	1	SEAL-O-RING (ORFS-OD 16)					
		336036	1	SEAL-O-RING (ORB-OD 29.5)					

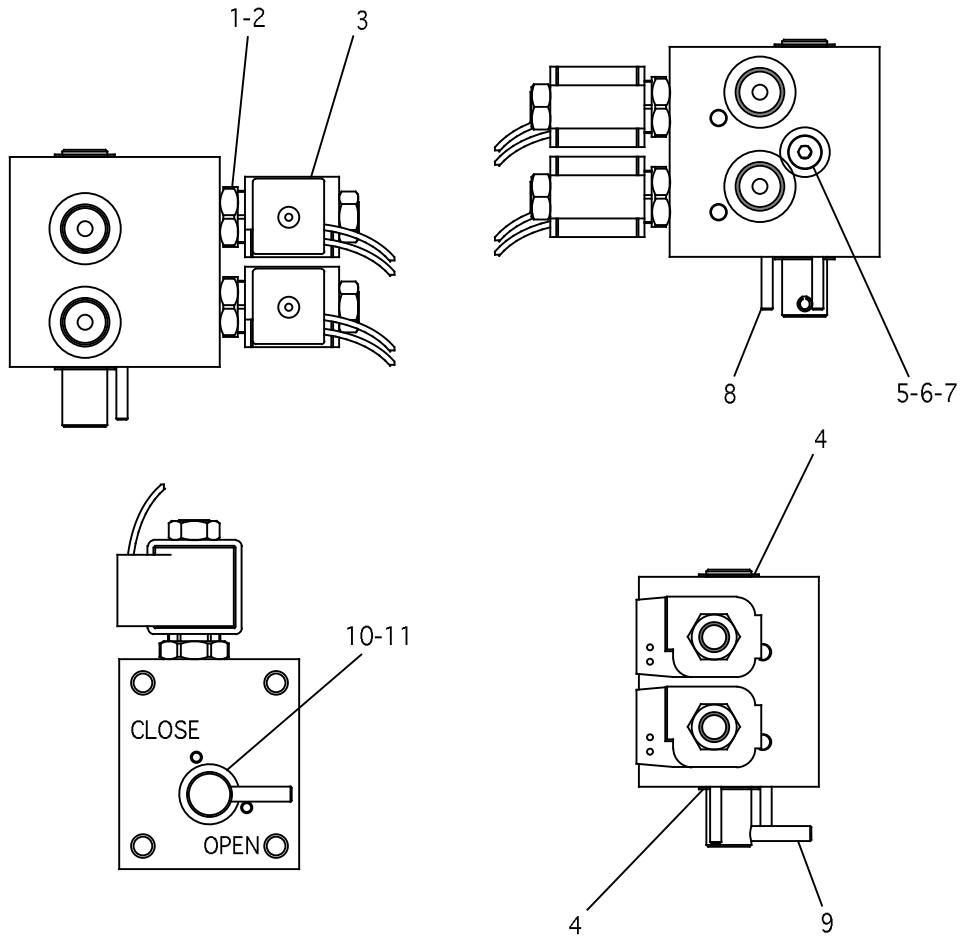
F - NOT SHOWN

1446293 VALVE GP-SOLENOID (GEAR SHIFT)

Part of 9U9338 Cylinder Gp-Shift

00

HYDRAULIC SYSTEM



NOTE	REF NO	PART NUMBER	QTY	PART NAME	NOTE	REF NO	PART NUMBER	QTY	PART NAME
	1	1466826	2	VALVE-SOLENOID					
	2	1752245	2	KIT-SEAL					
			1	SEAL-O-RING (OD 24.1)					
			2	RING-BACKUP					
			1	SEAL-O-RING (OD 17.6)					
	3	1466828	2	COIL-SOLENOID					
	4	8D8256	2	RING-RETAINING					
	5	9S8002	1	PLUG-O-RING					
	6	3J7354	1	SEAL-O-RING (ORB-OD 12.5)					
	7	1466825	1	PLUNGER-BALL					
	8	1H1200	2	PIN-SPRING					
	9	2L1699	1	PIN-SPRING					
	10	4J5268	3	SEAL-O-RING (OD 19.2)					
	11	1466824	3	RING-BACKUP					

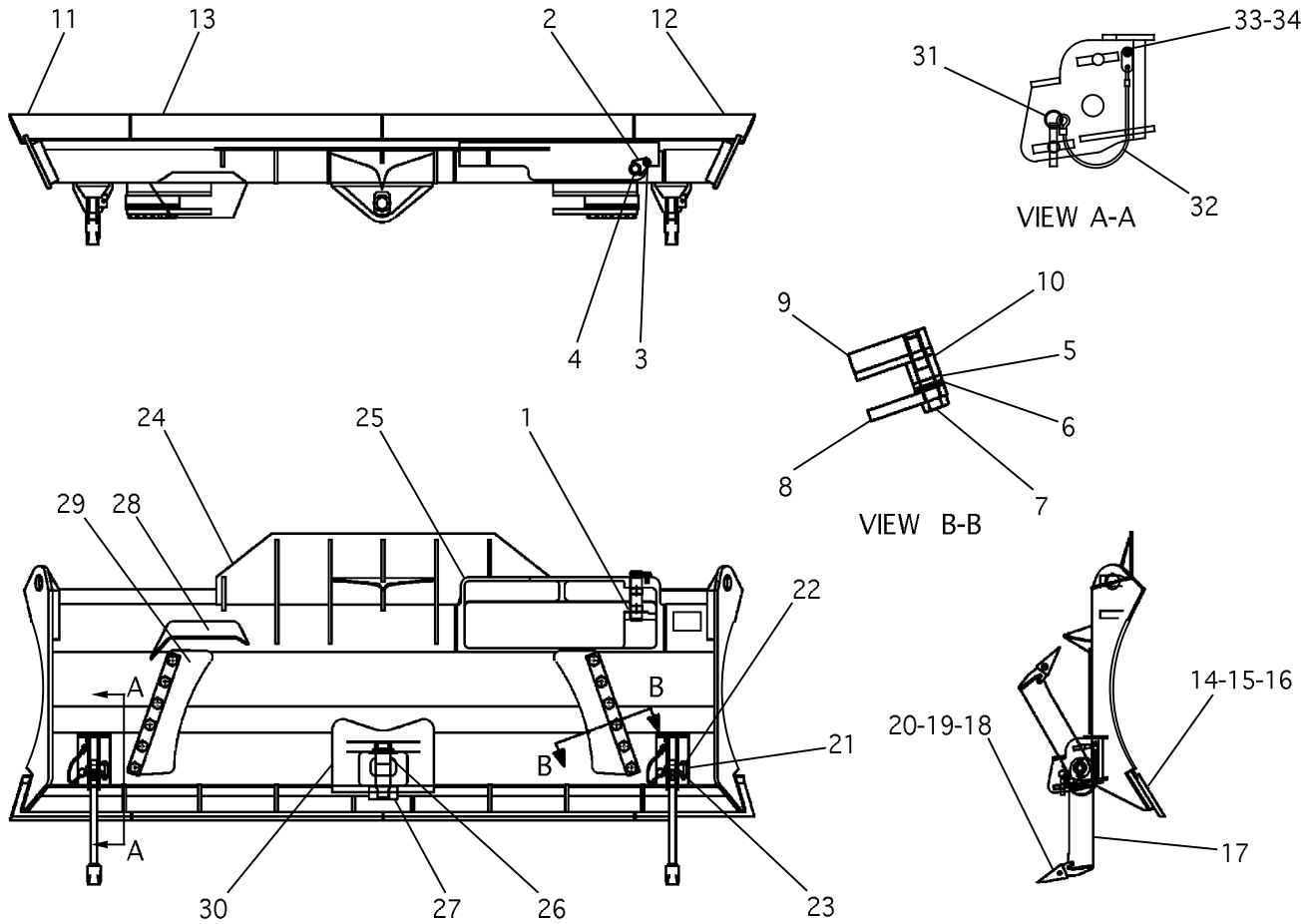
1449746 VALVE GP-SOLENOID (SUSP LOCK)
 Part of 1266575 Valve Gp & Mounting (Lock Out)

IMPLEMENTS

1	1299252	BLADE GP-ANGLING	399
1	1334255	FRAME GP.....	402
1	8E2737	SINGLETREE GP.....	412

1437778 BLADE AR
Part of 1186804 Bulldozer Ar

IMPLEMENTS



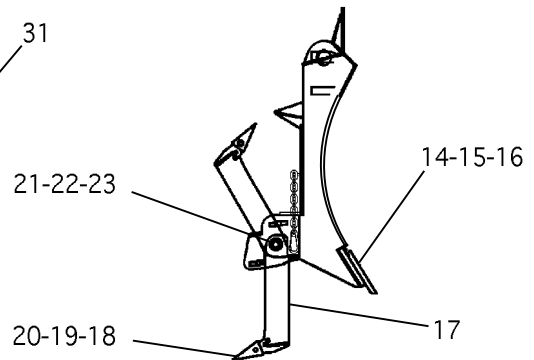
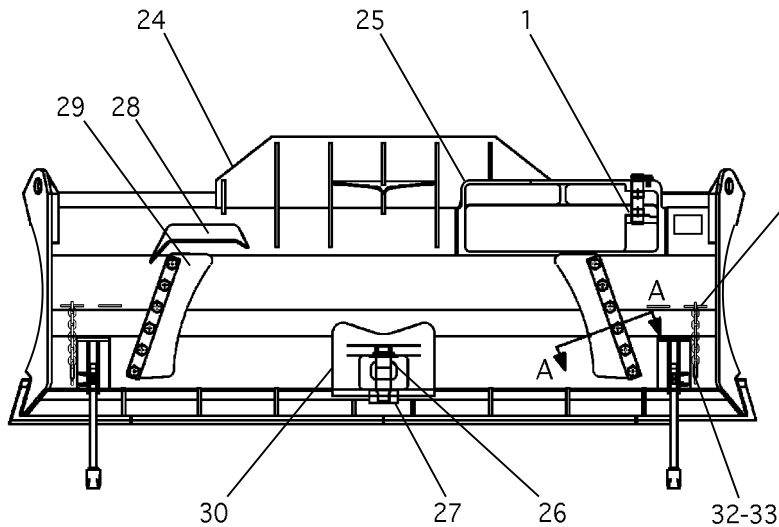
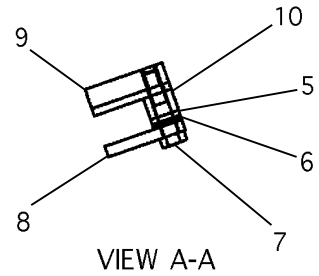
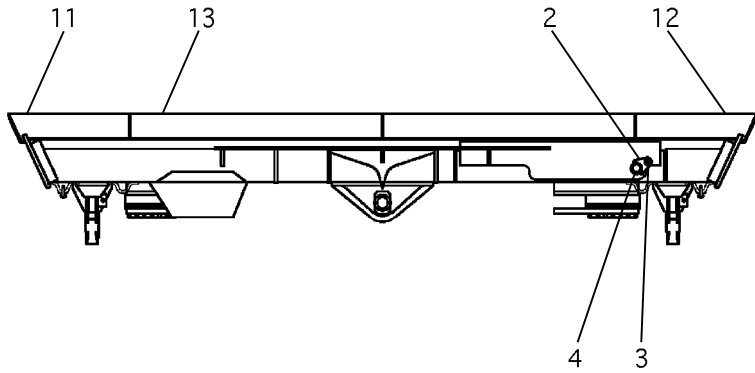
NOTE	REF NO	PART NUMBER	QTY	PART NAME	NOTE	REF NO	PART NUMBER	QTY	PART NAME
B	1	4T1312	2	SPACER		22	0L1143	2	BOLT (3/8-16)
	2	4T0231	1	RETAINER		23	2K4973	2	LOCKNUT (3/8)
	3	8C4436	1	BOLT (1/2-13)		24	1331379	1	BLADE AS
	4	3G8917	1	PIN		25	1U1480	1	BRACKET
	5	6Y6604	2	SHIM (10 MM)		26	4T0172	1	TRUNNION
	6	6Y6603	2	SHIM (2.0 MM)		27	6Y4385	1	SLEEVE
	7	8C8843	12	BOLT (1-8)		28	6V5638	1	GUARD
	8	6Y6595	2	PLATE-GUIDE		29	6Y6593	2	STRIP-TAPPING
	9	6Y6772	2	PLATE-WEAR		30	8E2060	1	BRACKET AS
	10	8E6234	2	SHIM (40 MM)			6Y4734	1	BEARING-THRUST
	11	8E9378	1	BIT-END LH		31	1452392	2	PIN AS
	12	8E9379	1	BIT-END RH		32	1452393	2	CABLE AS
	13	1331372	2	EDGE-CUTTING		33	0S1614	2	BOLT (1/4-20)
	14	2J3506	22	NUT-FULL (3/4-10)		34	5P0537	2	WASHER-HARD
	15	5J4773	22	BOLT-PLOW (3/4-10)					
	16	5P8248	22	WASHER-HARD					
	17	1331375	2	SHANK AS					
	18	7T8202	2	TIP-LONG					
	19	8E6208	2	PIN-G.E.T.					
	20	8E6209	2	RETAINER AS					
	21	1331377	2	PIN-PIVOT					

B - USE AS REQUIRED

1299252 BLADE GP-ANGLING

S/N 7RR00003 thru 50
Part of 1437778 Blade Ar

IMPLEMENTS



NOTE	REF NO	PART NUMBER	QTY	PART NAME	NOTE	REF NO	PART NUMBER	QTY	PART NAME
B	1	4T1312	2	SPACER	C	22	0L1143	2	BOLT (3/8-16)
	2	4T0231	1	RETAINER		23	2K4973	2	LOCKNUT (3/8)
	3	8C4436	1	BOLT (1/2-13)		24	1331379	1	BLADE AS
	4	3G8917	1	PIN		25	1U1480	1	BRACKET
	5	6Y6604	2	SHIM (10 MM)		26	4T0172	1	TRUNNION
	6	6Y6603	2	SHIM (2.0 MM)		27	6Y4385	1	SLEEVE
	7	8C8843	12	BOLT (1-8)		28	6V5638	1	GUARD
	8	6Y6595	2	PLATE-GUIDE		29	6Y6593	2	STRIP-TAPPING
	9	6Y6772	2	PLATE-WEAR		30	8E2060	1	BRACKET AS
	10	8E6234	2	SHIM (40 MM)			6Y4734	1	BEARING-THRUST
	11	8E9378	1	BIT-END LH		31	1643127	4	EYE
	12	8E9379	1	BIT-END RH		32	1643130	2	CHAIN AS
	13	1331372	2	EDGE-CUTTING		33	1643128	1	CLIP
	14	2J3506	22	NUT-FULL (3/4-10)					
	15	5J4773	22	BOLT-PLOW (3/4-10)					
	16	5P8248	22	WASHER-HARD					
	17	1331375	2	SHANK AS					
	18	7T8202	2	TIP-LONG					
	19	8E6208	2	PIN-G.E.T.					
	20	8E6209	2	RETAINER AS					
	21	1331377	2	PIN-PIVOT					

B - USE AS REQUIRED
C - INDICATES CHANGE

1299252 BLADE GP-ANGLING

S/N 7RR00051-Up

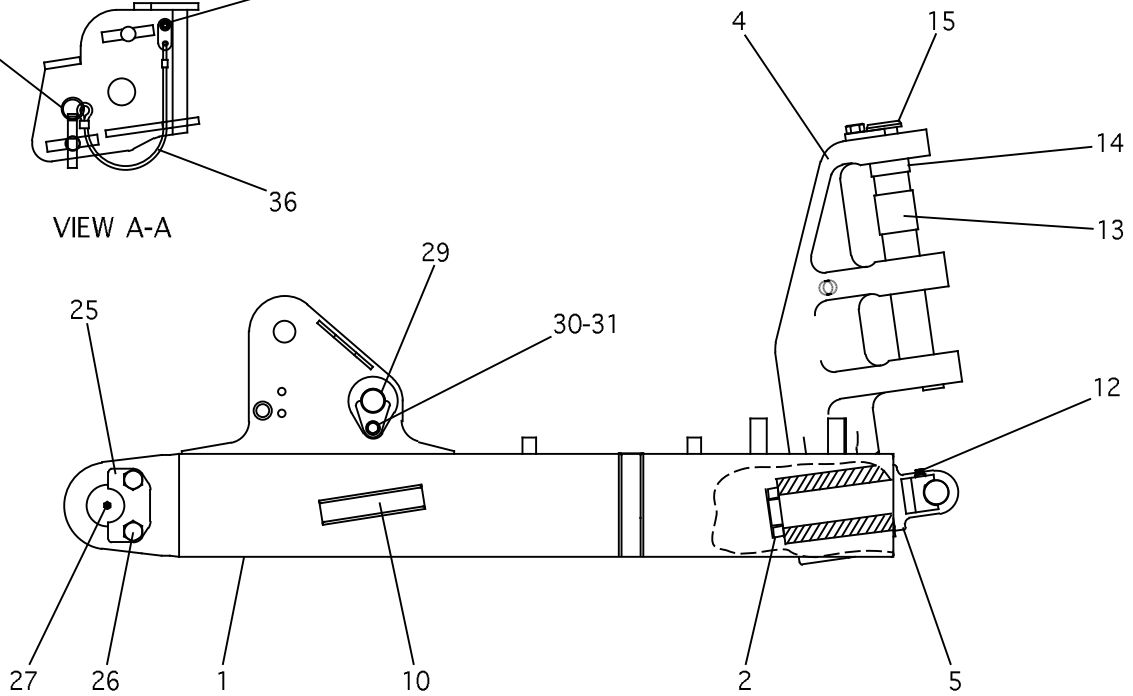
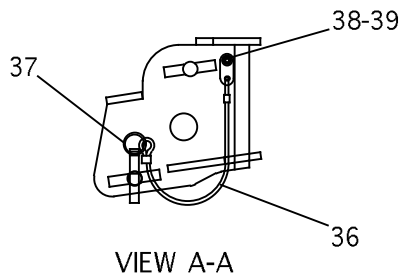
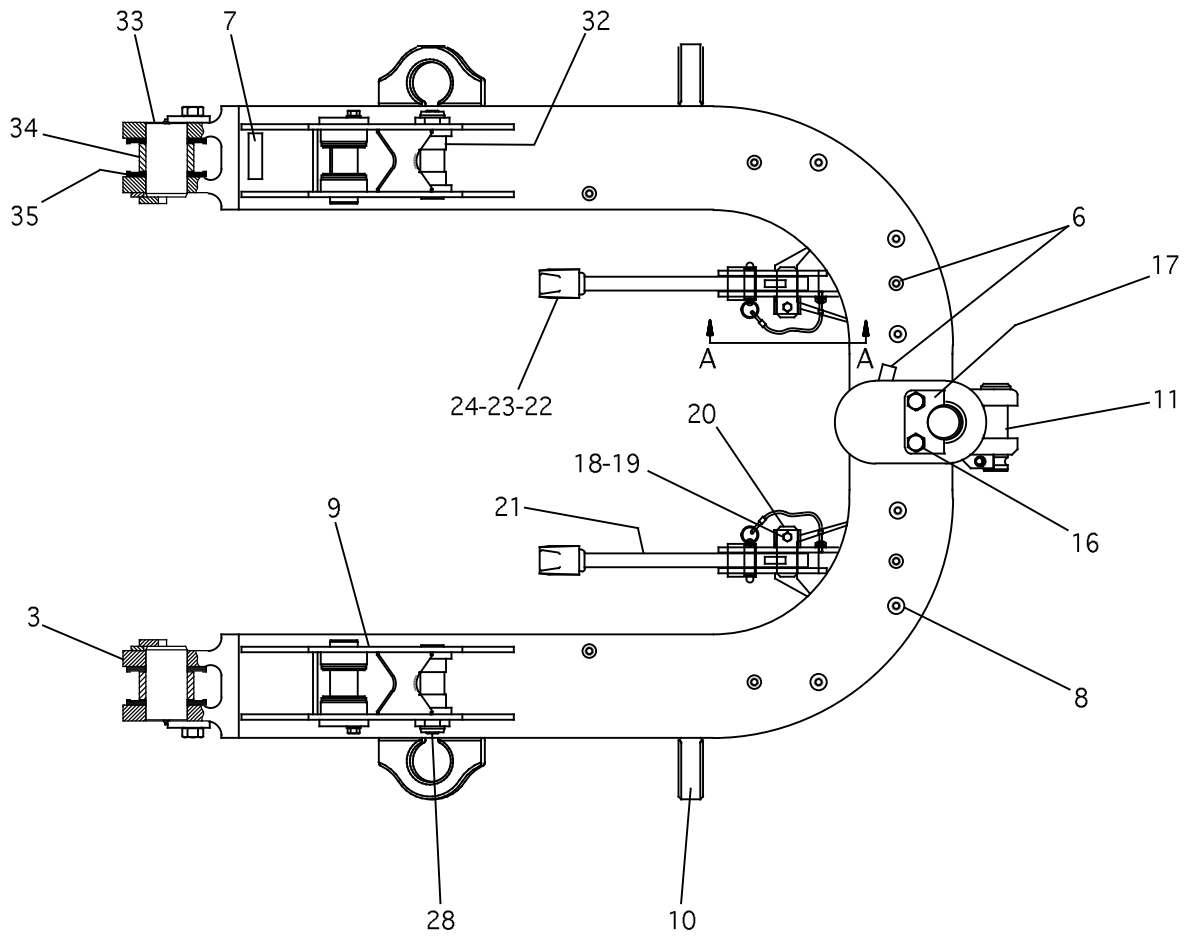
Part of 1437778 Blade Ar

IMPLEMENTS

1	1437778	BLADE AR	398
1	9T9557	CYLINDER GP (TILT).....	311
2	1006174	CYLINDER GP (ANGLE)	310
2	1265857	CYLINDER GP & MTG (LIFT)	326

1186804 BULLDOZER AR
Part of 1447162 General Ar

IMPLEMENTS



1334255 FRAME GP
 S/N 7RR00003 thru 50
 Part of 1437778 Blade Ar

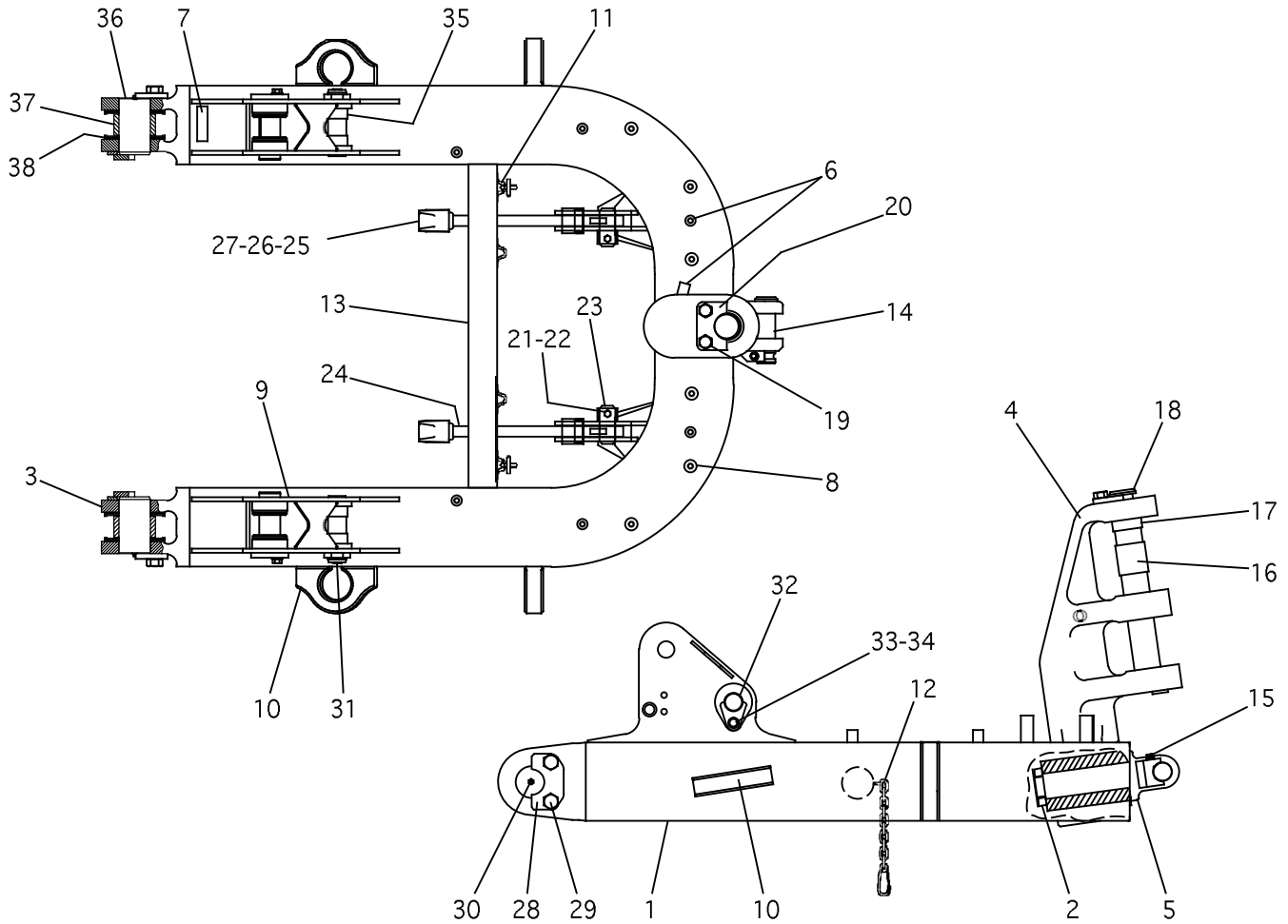
IMPLEMENTS

NOTE	REF NO	PART NUMBER	QTY	PART NAME	NOTE	REF NO	PART NUMBER	QTY	PART NAME
	1	1334043	1	FRAME AS					
		1452390	1	POCKET AS-RH					
		1452391	1	POCKET AS-LH					
	2	3G8887	1	COLLAR					
	3	6I9640	2	BRACKET AS					
		8E1519	1	BRACKET					
	4	6Y6119	1	TOWER AS					
		6D0217	2	BRG-SLEEVE (81 MM WIDE)					
		6Y4388	1	BEARING-THRUST					
		6Y6120	1	TOWER AS					
		6Y6234	2	BRG-SLEEVE (50 MM WIDE)					
		6Y6235	1	BRG-SLEEVE (35 MM WIDE)					
	5	8E6222	1	PIN AS					
	6	8J8489	7	BOSS					
	7	8P9770	1	PLATE					
	8	9P7849	6	BOSS					
	9	1250103	2	TOWER AS-LIFT					
	10	1430444	4	PLATE					
	11	8E6221	1	PIN					
	12	7K6058	1	BOLT-12 POINT HD (1/2-13)					
	13	6Y6771	1	SPACER					
	14	6Y6768	1	SPACER					
	15	6Y6774	1	PIN					
	16	8T9398	2	BOLT (3/4-10)					
	17	6Y6581	1	RETAINER					
	18	0L1143	2	BOLT (3/4-16)					
	19	2K4973	2	LOCKNUT (3/8-16)					
	20	1331377	2	PIN-PIVOT					
	21	1331375	2	SHANK AS					
	22	7T8202	2	TIP-LONG					
	23	8E6208	2	PIN-G.E.T.					
	24	8E6209	2	RETAINER AS					
	25	6J7500	2	RETAINER					
	26	7X0379	4	BOLT (7/8-9)					
	27	3B8489	2	FITTING (GREASE)					
	28	3G8932	2	PIN					
	29	4T0231	2	RETAINER					
	30	8C4436	2	BOLT (1/2-13)					
	31	8T4223	2	WASHER-HARD					
	32	4T1312	4	SPACER					
	33	1053039	2	PIN					
	34	8W4523	2	BEARING-SLEEVE					
B	35	8D4336	12	WASHER-THRUST					
	36	1452393	2	CABLE AS					
	37	1452392	2	PIN AS					
	38	0S1614	2	BOLT (1/4-20)					
	39	5P0537	2	WASHER					

B - USE AS REQUIRED

1334255 FRAME GP
 S/N 7RR00003 thru 50
 Part of 1437778 Blade Ar

IMPLEMENTS

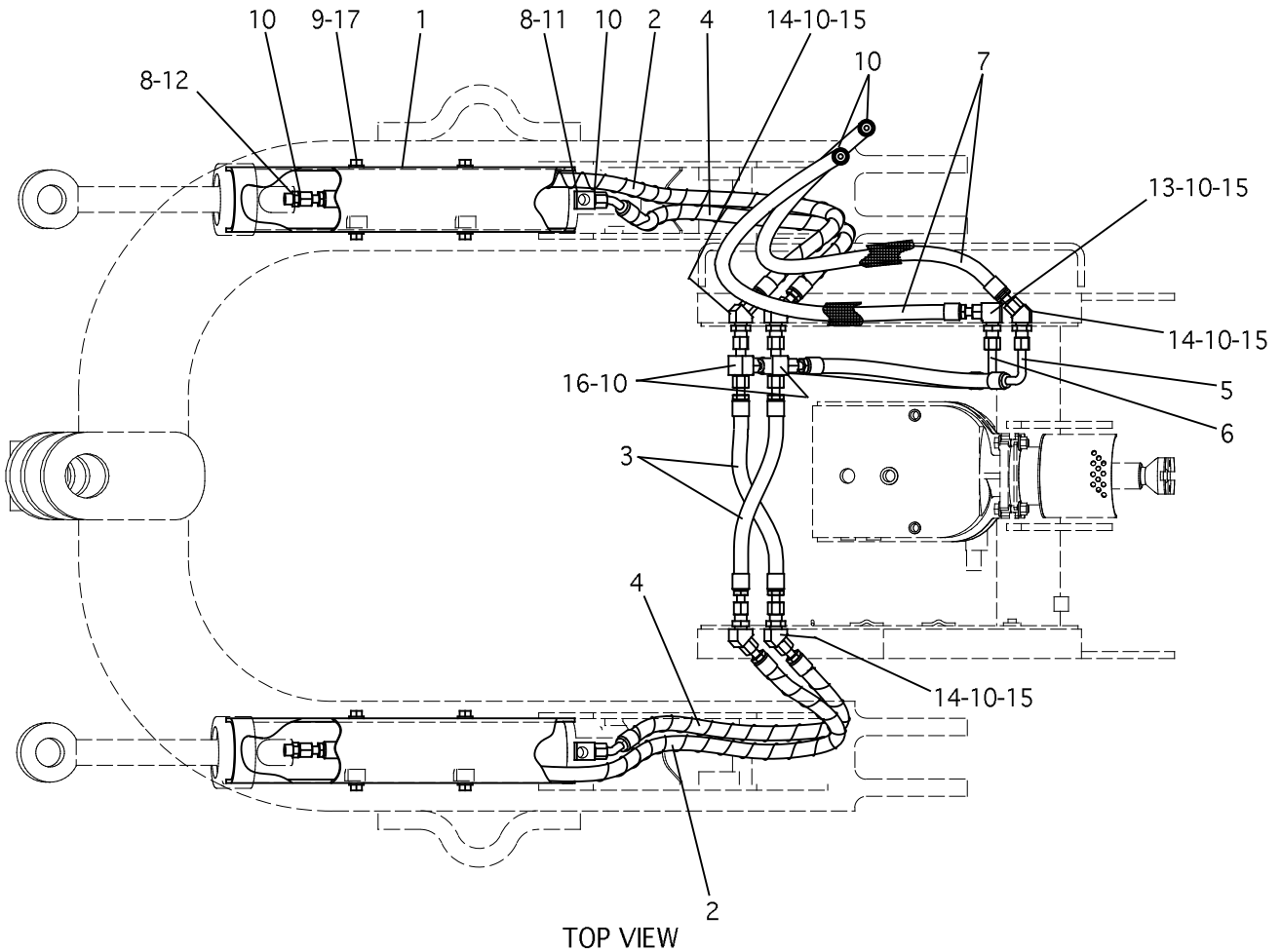


NOTE	REF NO	PART NUMBER	QTY	PART NAME	NOTE	REF NO	PART NUMBER	QTY	PART NAME
C	1	1334043	1	FRAME AS	B	16	6Y6771	1	SPACER
		1452390	1	POCKET AS-RH		17	6Y6768	1	SPACER
		1452391	1	POCKET AS-LH		18	6Y6774	1	PIN
	2	3G8887	1	COLLAR		19	8T9398	2	BOLT (3/4-10)
	3	6I9640	2	BRACKET AS		20	6Y6581	1	RETAINER
		8E1519	1	BRACKET		21	0L1143	2	BOLT (3/4-16)
	4	6Y6119	1	TOWER AS		22	2K4973	2	LOCKNUT (3/8-16)
		6D0217	2	BRG-SLEEVE (81 MM WIDE)		23	1331377	2	PIN-PIVOT
		6Y4388	1	BEARING-THRUST		24	1331375	2	SHANK AS
		6Y6120	1	TOWER AS		25	7T8202	2	TIP-LONG
		6Y6234	2	BRG-SLEEVE (50 MM WIDE)		26	8E6208	2	PIN-G.E.T.
		6Y6235	1	BRG-SLEEVE (35 MM WIDE)		27	8E6209	2	RETAINER AS
	5	8E6222	1	PIN AS		28	6J7500	2	RETAINER
	6	8J8489	7	BOSS		29	7X0379	4	BOLT (7/8-9)
	7	8P9770	1	PLATE		30	3B8489	2	FITTING (GREASE)
8	9P7849	6	BOSS	31	3G8932	2	PIN		
9	1250103	2	TOWER AS-LIFT	32	4T0231	2	RETAINER		
10	1430444	4	PLATE	33	8C4436	2	BOLT (1/2-13)		
11	1643127	4	EYE	34	8T4223	2	WASHER-HARD		
12	1643130	2	CHAIN AS	35	4T1312	4	SPACER		
	1643128	1	CLIP	36	1053039	2	PIN		
13	1728820	1	PIPE	37	8W4523	2	BEARING-SLEEVE		
14	8E6221	1	PIN	38	8D4336	12	WASHER-THRUST		
15	7K6058	1	BOLT-12 POINT HD (1/2-13)						

B - USE AS REQUIRED
C - INDICATES CHANGE

1334255 FRAME GP
S/N 7RR00051-Up
Part of 1437778 Blade Ar

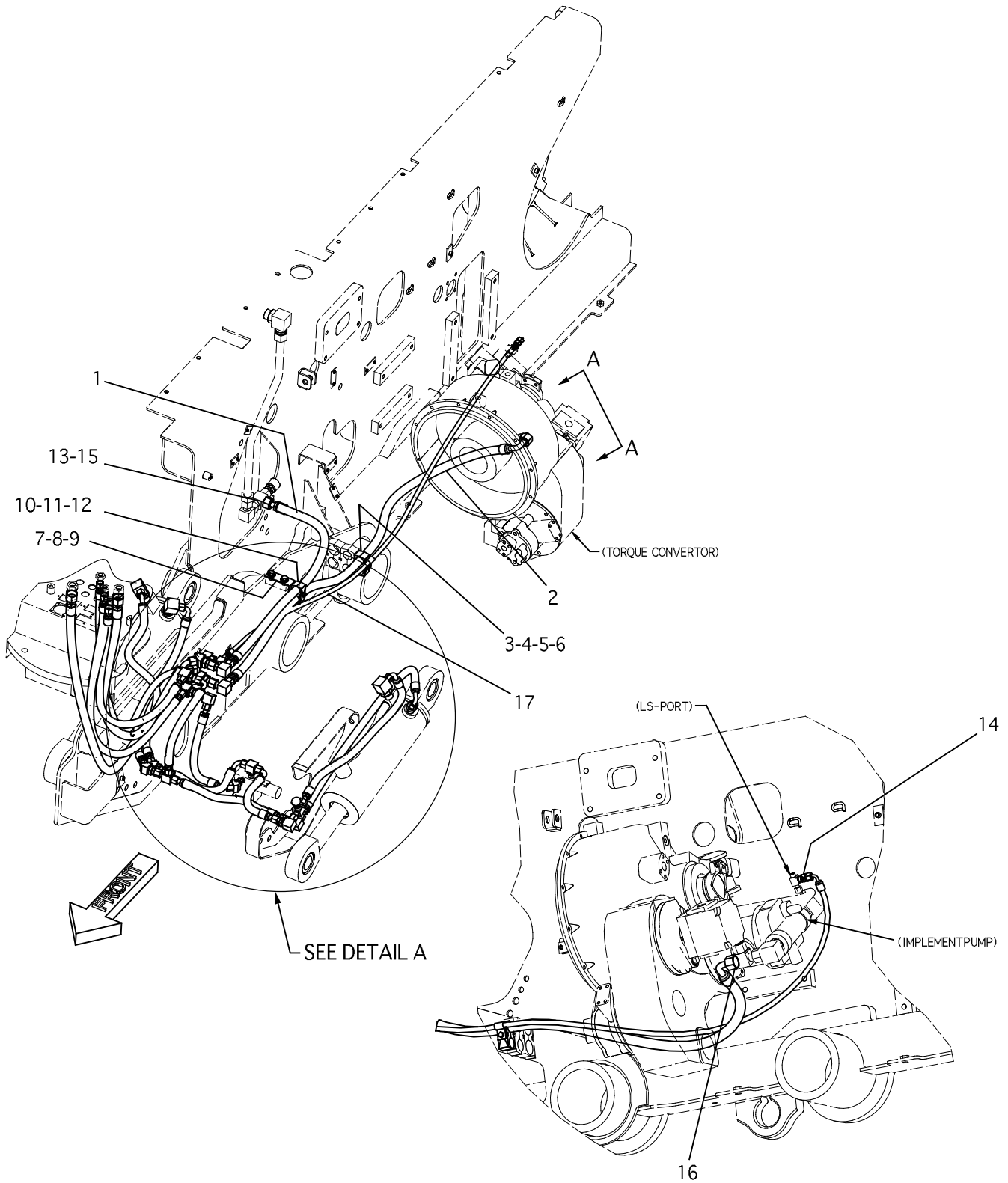
IMPLEMENTS



NOTE	REF NO	PART NUMBER	QTY	PART NAME	NOTE	REF NO	PART NUMBER	QTY	PART NAME
	1	4T2139	2	GUARD AS					
	2	1243859	2	HOSE AS					
	3	1243869	2	HOSE AS					
	4	1493213	2	HOSE AS					
	5	1549746	1	HOSE AS					
	6	1549747	1	HOSE AS					
	7	1249787	2	HOSE AS					
	8	3K0360	4	SEAL-O-RING (ORB-OD 20.8)					
	9	5C6565	8	BOLT-HEX (1/2)					
	10	6V8398	22	SEAL-O-RING (ORFS-OD 16)					
	11	6V8625	2	ELBOW 90° (M-ORFS,M-STOR)					
	12	6V8639	2	CONNECTOR (M-ORFS,M-STOR)					
	13	6V8981	1	ELBOW 90° (M,F-ORFS)					
	14	6V8988	5	ELBOW 45° (M,F-ORFS)					
	15	6V9169	6	NUT-BULKHEAD					
	16	6V9837	2	TEE (M-ORFS,M-STOR,M-ORFS)					
	17	8T4223	8	WASHER-HARD (1/2)					

1266555 LINES GP-ANGLE
 Part of 1447167 Hydraulic Ar-Aux

IMPLEMENTS



REFER TO ALL ILLUSTRATIONS OF THIS GROUP

VIEW A-A

1266556 LINES GP-LIFT CYL PART 1 OF 2
Part of 1447167 Hydraulic Ar-Aux

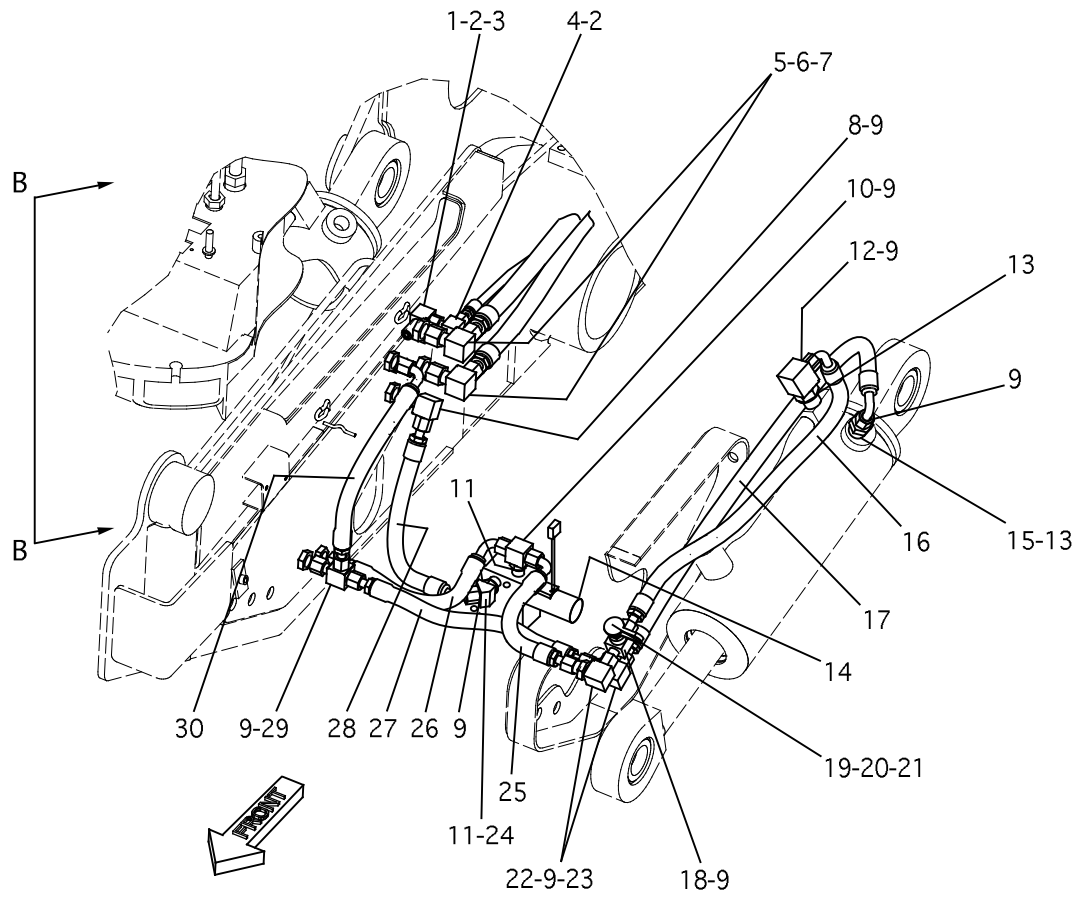
IMPLEMENTS

NOTE	REF NO	PART NUMBER	QTY	PART NAME	NOTE	REF NO	PART NUMBER	QTY	PART NAME
	1	1549750	1	HOSE AS					
	2	1472912	1	HOSE AS					
	3	1497927	2	CLAMP-HALF					
	4	8T8911	1	BOLT-HEX (5/16)					
	5	6R3320	1	COVER					
	6	9M8406	1	CLIP					
	7	8T4179	2	BOLT-HEX (5/16)					
	8	8T4223	2	WASHER-HARD					
	9	1350385	1	PLATE AS					
		7R7963	1	PLATE AS					
	10	4V0612	1	PLATE					
	11	7X0440	1	BOLT-HEX (5/16)					
	12	7V6659	2	CLAMP-DOUBLE					
	13	6V9746	2	SEAL-O-RING (ORFS-OD 23.4)					
	14	1321204	1	VALVE-CHECK					
		3J1907	1	SEAL-O-RING					
		6V8397	1	SEAL-O-RING (ORFS-OD 13.8)					
	15	6V9853	1	ELBOW 90° (M,F-ORFS)					
	16	7J9108	1	SEAL-O-RING (ORFS-OD 19.2)					
	17	1549748	1	HOSE AS					

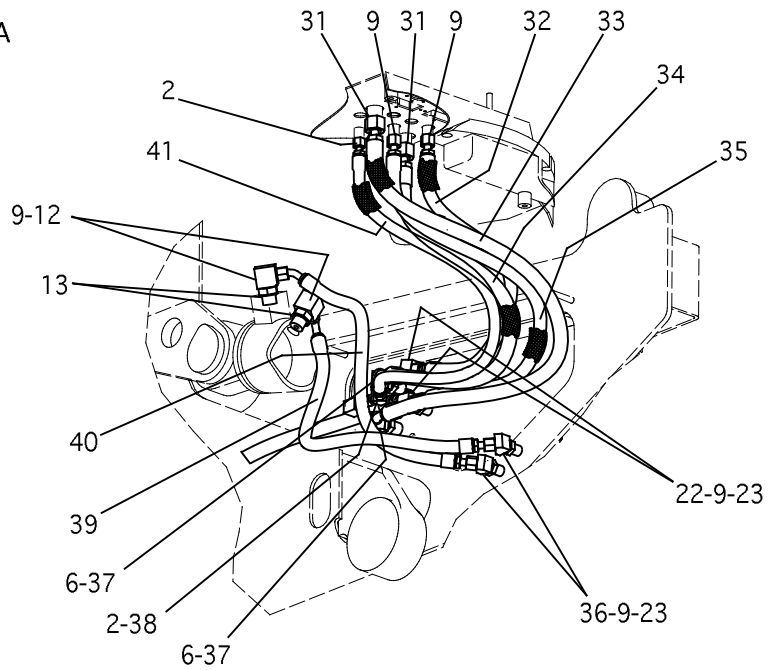
1266556 LINES GP-LIFT CYL PART 1 OF 2

Part of 1447167 Hydraulic Ar-Aux

IMPLEMENTS



DETAIL A



REFER TO ALL ILLUSTRATIONS OF THIS GROUP

VIEW B-B

1266556 LINES GP-LIFT CYL PART 2 OF 2
Part of 1447167 Hydraulic Ar-Aux

IMPLEMENTS

NOTE	REF NO	PART NUMBER	QTY	PART NAME	NOTE	REF NO	PART NUMBER	QTY	PART NAME
	1	6V8980	1	ELBOW 90° (M,F-ORFS)					
	2	6V8397	5	SEAL-O-RING (ORFS-OD 13.8)					
	3	6V9168	1	NUT-BULKHEAD					
	4	6V9850	1	ELBOW 90° (M,F-ORFS)					
	5	6V9852	2	ELBOW 90° (M,F-ORFS)					
	6	7J9108	6	SEAL-O-RING (ORFS-OD 19.2)					
	7	6V9170	2	NUT-BULKHEAD					
	8	6V9851	1	ELBOW 90° (M,F-ORFS)					
	9	6V8398	25	SEAL-O-RING (ORFS-OD 16)					
	10	6V8775	1	TEE (M,M-ORFS,M-STOR)					
	11	3K0360	2	SEAL-O-RING (ORB-OD 20.8)					
	12	8T5429	3	ELBOW 90° (M-ORFS,M-STOR)					
	13	3D2824	4	SEAL-O-RING (ORB-OD 29.5)					
Y	14	1321207	1	VALVE GP & MTG					
	15	6V8633	1	CONNECTOR (M-ORFS,M-STOR)					
	16	1243876	1	HOSE AS					
	17	1243875	1	HOSE AS					
	18	7X0871	1	TEE (M,F-ORFS,F-STOR)					
	19	6V3965	1	NIPPLE AS					
		6V4143	1	COUPLING (F-QUICK 45 MM LG)					
		6V4144	1	COUPLING (F-QUICK 55 MM LG)					
	20	3J1907	1	SEAL-O-RING (ORB-OD 15.9)					
	21	6V0852	1	CAP-DUST					
	22	6V8981	4	ELBOW 90° (M,F-ORFS)					
	23	6V9169	6	NUT-BULKHEAD					
	24	6V9002	1	ELBOW 45° (M-ORFS,M-STOR)					
	25	1243873	1	HOSE AS					
	26	1550808	1	HOSE AS					
	27	1243869	1	HOSE AS					
	28	1243874	1	HOSE AS					
	29	6V9837	1	TEE (M-ORFS,M-STOR,M-ORFS)					
	30	1344426	1	HOSE AS					
	31	6V9746	2	SEAL-O-RING (ORFS-OD 23.4)					
	32	1243856	1	HOSE AS					
	33	1375175	1	HOSE AS					
	34	1243864	1	HOSE AS					
	35	1249787	1	HOSE AS					
	36	6V8988	2	ELBOW 45° (M,F-ORFS)					
	37	6V8989	2	ELBOW 45° (M,F-ORFS)					
	38	8C8988	1	ELBOW 45° (M,F-ORFS)					
	39	1316511	1	HOSE AS					
	40	1243863	1	HOSE AS					
	41	1549749	1	HOSE AS					

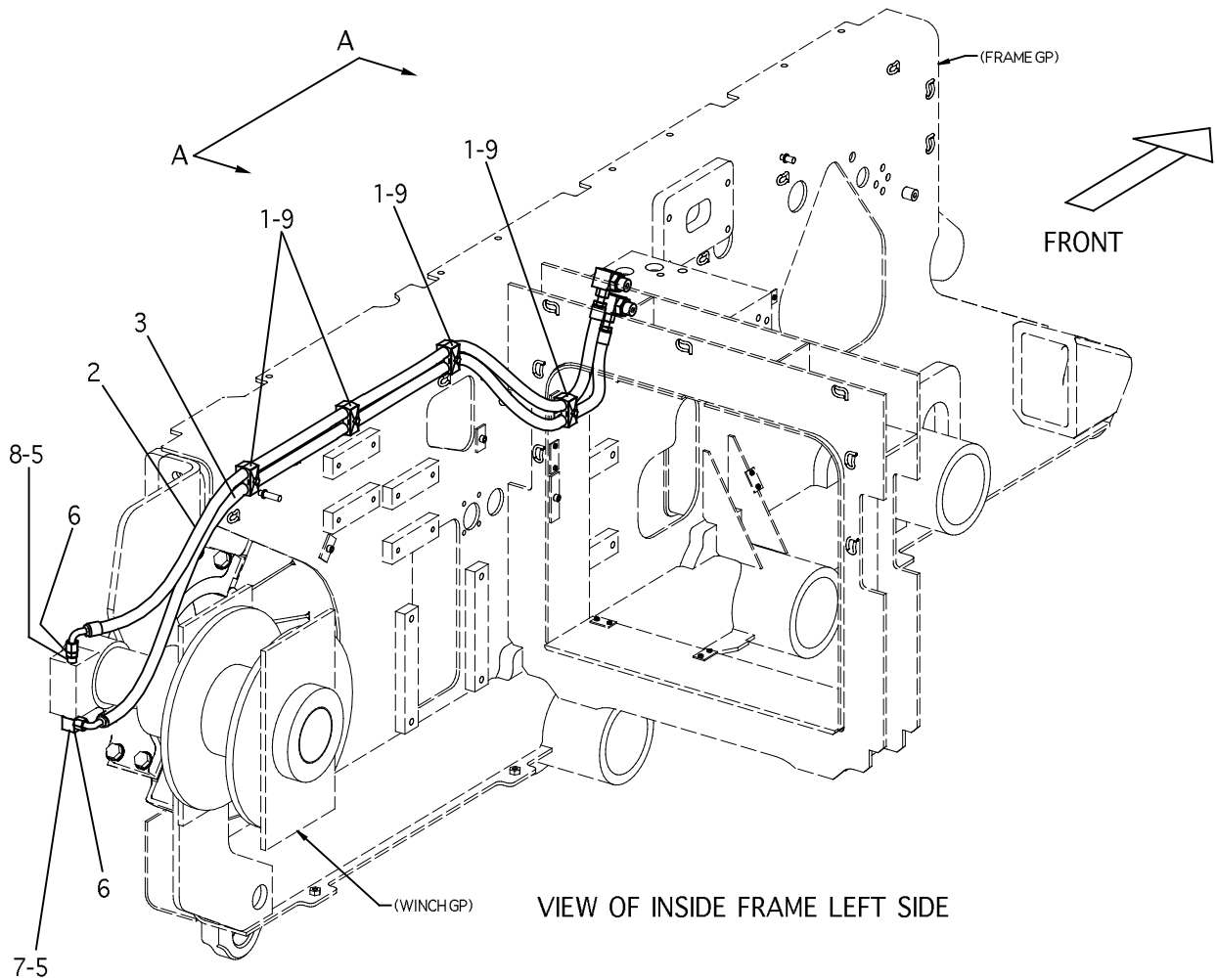
Y - SEPARATE ILLUSTRATION

1266556 LINES GP-LIFT CYL PART 2 OF 2

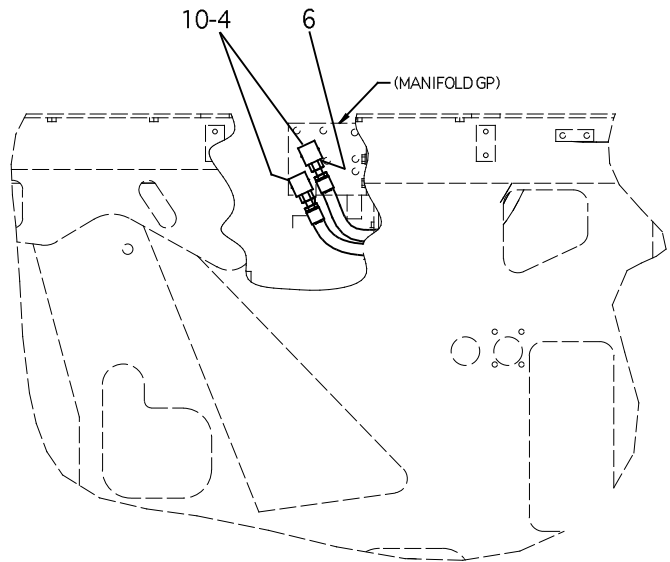
1321207-Page 393

Part of 1447167 Hydraulic Ar-Aux

IMPLEMENTS



VIEW OF INSIDE FRAME LEFT SIDE



VIEW A-A

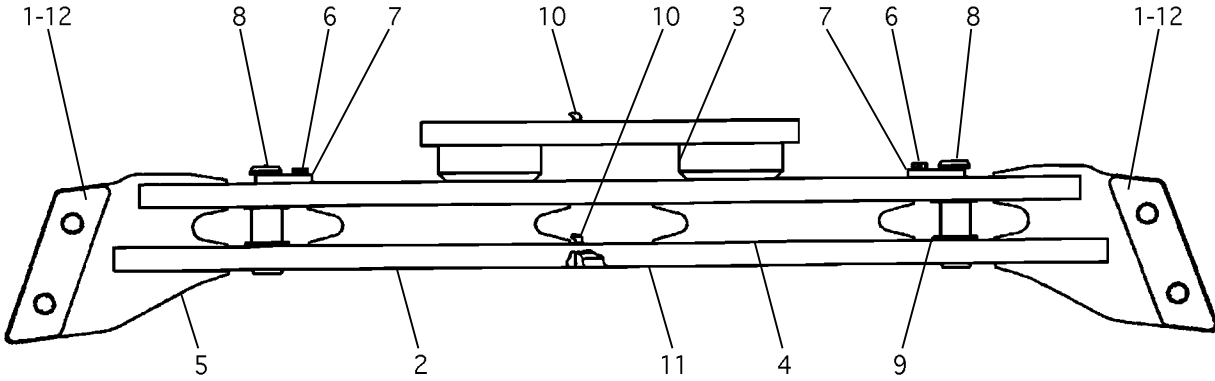
1448609 LINES GP-WINCH
Part of 1447167 Hydraulic Ar-Aux

IMPLEMENTS

NOTE	REF NO	PART NUMBER	QTY	PART NAME	NOTE	REF NO	PART NUMBER	QTY	PART NAME
	1	6R1317	8	CLAMP					
	2	1549820	1	HOSE AS					
	3	1549822	1	HOSE AS					
	4	3D2824	2	SEAL-O-RING (ORB-OD 29.5)					
	5	3K0360	2	SEAL-O-RING (ORB-OD 20.8)					
	6	6V8398	4	SEAL-O-RING (ORFS-OD 16)					
	7	6V8625	1	ELBOW 90° (M-ORFS,M-STOR)					
	8	6V8639	1	CONNECTOR (M-ORFS,M-STOR)					
	9	4V0939	4	BOLT-HEX (5/16)					
	10	8T5429	2	ELBOW 90° (M-ORFS,M-STOR)					

1448609 LINES GP-WINCH
 Part of 1447167 Hydraulic Ar-Aux

IMPLEMENTS



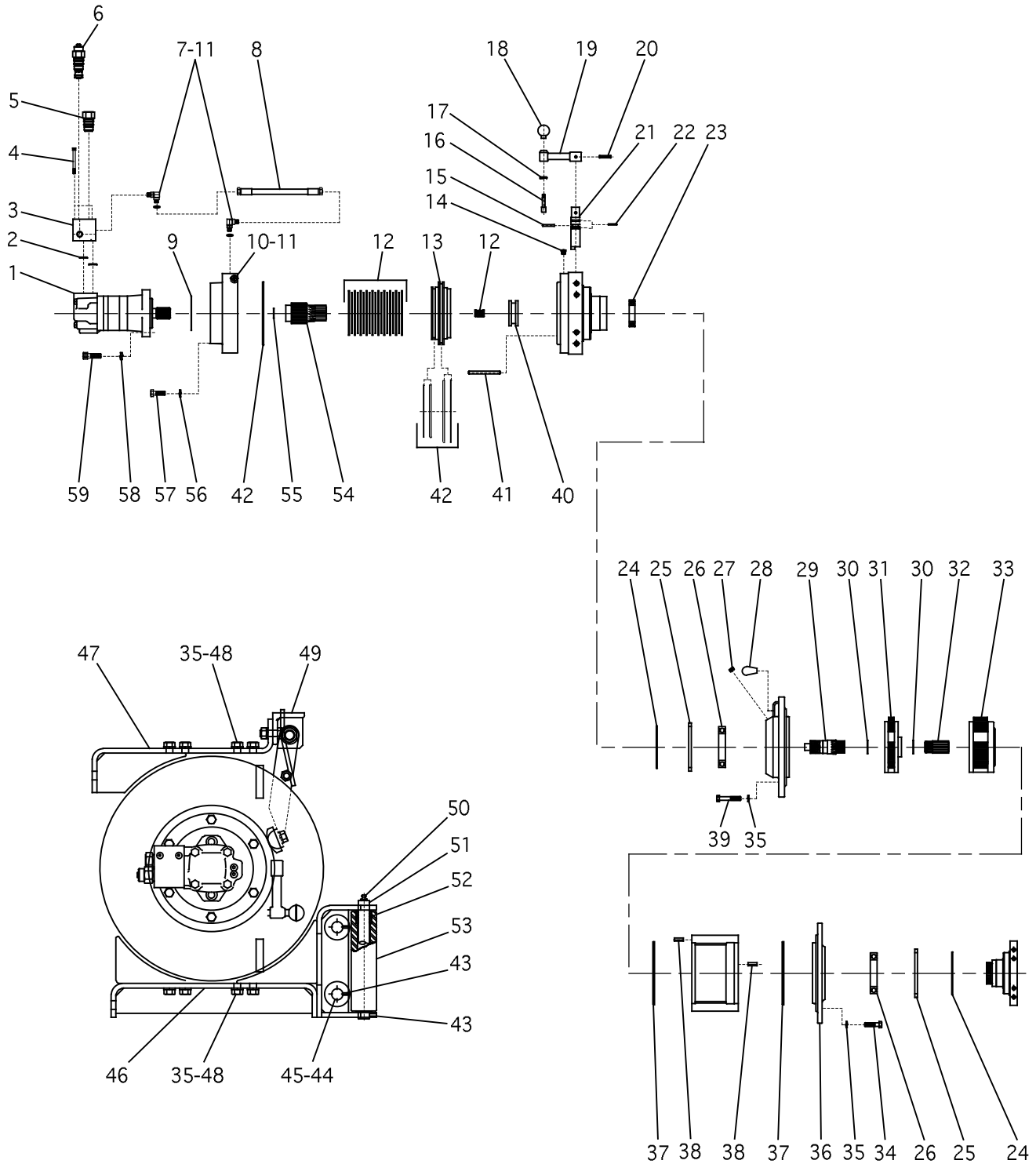
NOTE	REF NO	PART NUMBER	QTY	PART NAME	NOTE	REF NO	PART NUMBER	QTY	PART NAME
	1	6Y6126	2	PLATE-WEAR					
	2	8E2736	1	SINGLETREE AS					
		6Y6134	2	BEARING-SLEEVE					
		6Y6955	1	SPACER					
		8E2735	1	SINGLETREE AS					
	3	6Y5767	2	PLATE					
	4	6Y5880	2	PLATE					
	5	6Y5881	2	SLIDER					
	6	8C4436	2	BOLT (1/2-13)					
	7	4T0231	2	RETAINER					
	8	3G8932	2	PIN					
	9	4J0805	6	WASHER					
	10	3B8485	2	FITTING 45° (GREASE)					
	11	8T6757	1	PLUG-PIPE					
	12	6Y6127	2	PLATE-WEAR					

8E2737 SINGLETREE GP
Part of 1437778 Blade Ar

NOTES

A large, empty rectangular box with a black border, intended for handwritten notes.

IMPLEMENTS



1473025 WINCH GP
Part of 1450099 Winch Gp-Towing

IMPLEMENTS

NOTE	REF NO	PART NUMBER	QTY	PART NAME	NOTE	REF NO	PART NUMBER	QTY	PART NAME
Y	1	1514928	1	MOTOR GP-GEROTOR		49	1509146	1	RETAINER-CABLE
	2	4M8303	2	SEAL-O-RING (OD 25.5)		50	3B8489	4	FITTING (GREASE)
	3	1508484	1	VALVE-CBAL		51	1509149	2	SHAFT-ROLLER
	4	1Y7574	3	BOLT-HEAD		52	1509157	8	BUSHING-BRONZE
	5	1515861	1	PLUG-CBAL		53	1509147	2	ROLLER-VERTICAL
	6	1515860	1	CARTRIDGE-CBAL		54	1490661	1	SHAFT-BRAKE
	7	1508487	2	ELBOW 90° (M-STOR, M-JIC)		55	1514932	1	RING-RETAINING
	8	1508486	1	HOSE AS		56	3B4507	6	LOCKWASHER (7/16)
	9	1H7339	1	SEAL-O-RING (OD 82.9)		57	7X0312	6	BOLT
	10	9S8002	1	PLUG-O-RING		58	1514929	2	LOCKWASHER-SPLIT
	11	3J7354	3	SEAL-O-RING (ORB-OD 12.5)		59	3F7147	2	BOLT
	12	1514934	1	DISC KIT AND SPRING					
			10	PLATE-DISC-FRICTION					
			9	PLATE-DRIVE-BRAKE					
			12	SPRING-COMPRESSION					
	13	1508485	1	PISTON-BRAKE					
	14	6U1989	1	BREATHER 1/8 NPT					
	15	1H1200	1	PIN-SPRING					
	16	1508493	1	PIN-LOCATOR					
	17	1508491	1	SPRING-CPRSN					
	18	1514931	1	KNOB-SHIFTER					
	19	1508490	1	ARM-SHIFTER					
	20	5H3193	1	PIN-SPRING					
	21	1508489	1	SHAFT-SHIFTER					
	22	5F7054	2	SEAL-O-RING (OD 25.7)					
	23	5P9439	1	BEARING-SPL BALL					
	24	2D8009	2	SEAL-O-RING (OD 149.5)					
	25	1514935	2	SEAL					
	26	1514936	2	BEARING-BALL					
	27	7M7410	2	PLUG-PIPE					
	28	1508498	1	WEDGE-CABLE					
	29	1508499	1	GEAR-SUN					
	30	1514937	2	RING-RETAINING					
	31	1508494	1	CARRIER-PLANETARY					
	32	1508496	1	GEAR-SUN					
	33	1508495	1	CARRIER-PLANETARY					
	34	8T4835	12	BOLT					
	35	3B4508	40	LOCKWASHER					
	36	1508497	1	HUB-GEAR END					
	37	9M5024	2	SEAL-O-RING (OD 216.2)					
	38	1014135	4	PIN-SPRING					
	39	7X0326	12	BOLT					
	40	1508488	1	GEAR-DRIVE					
	41	1514930	2	PIN-DOWEL					
	42	1514933	1	SEAL KIT					
			1	SEAL-O-RING (OD 177.8)					
			1	RING-BACKUP (OD 143.4)					
			1	SEAL-O-RING (OD 146.1)					
		1	SEAL-O-RING (OD 174.6)						
		1	RING-BACKUP (OD 168.1)						
43	2H2525	4	PIN-SPRING						
44	1509148	2	ROLLER						
45	1509150	2	SHAFT-ROLLER						
46	1509141	1	MOUNT-FRONT BASE						
47	1509144	1	MOUNT-REAR BASE						
48	8T8917	16	BOLT						

ITEMS NOT IDENTIFIED ARE NOT SOLD SEPARATELY

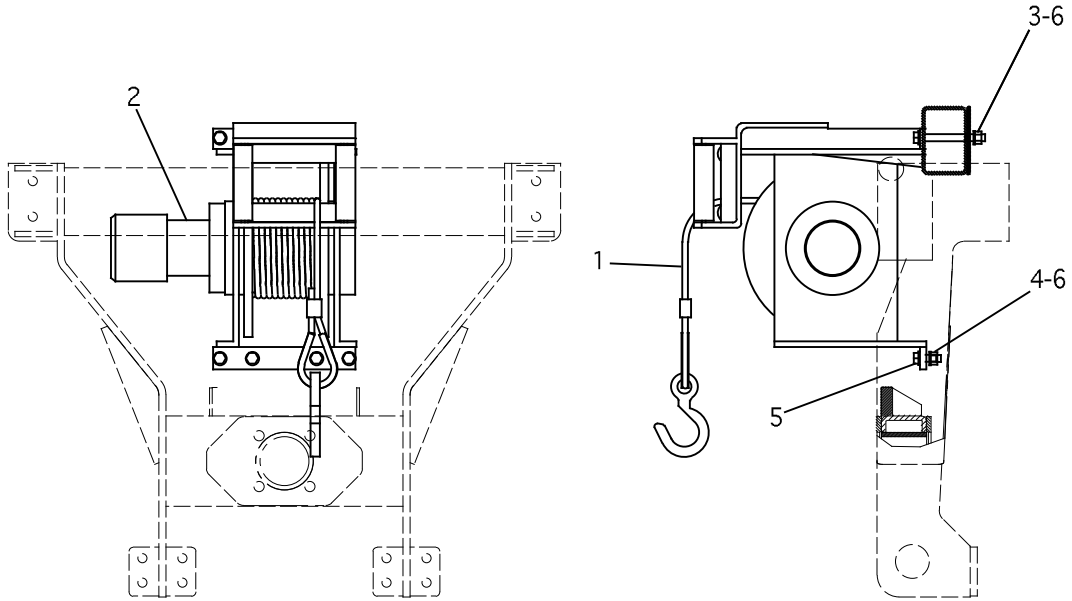
Y - SEPARATE ILLUSTRATION

1473025 WINCH GP

1514928-Page 358

Part of 1450099 Winch Gp-Towing

IMPLEMENTS



NOTE	REF NO	PART NUMBER	QTY	PART NAME	NOTE	REF NO	PART NUMBER	QTY	PART NAME
	1	1448530	1	CABLE-WITH HOOK					
Y	2	1473025	1	WINCH GP					
M	3	7X2558	4	BOLT-HEX (M16)					
M	4	8T4132	4	NUT-FULL (M16)					
M	5	8T4193	4	BOLT-HEX (M16)					
	6	9X8257	12	WASHER					

M - METRIC PART
Y - SEPARATE ILLUSTRATION

1450099 WINCH GP-TOWING

1473025-Page 415

Part of 1447162 General Ar

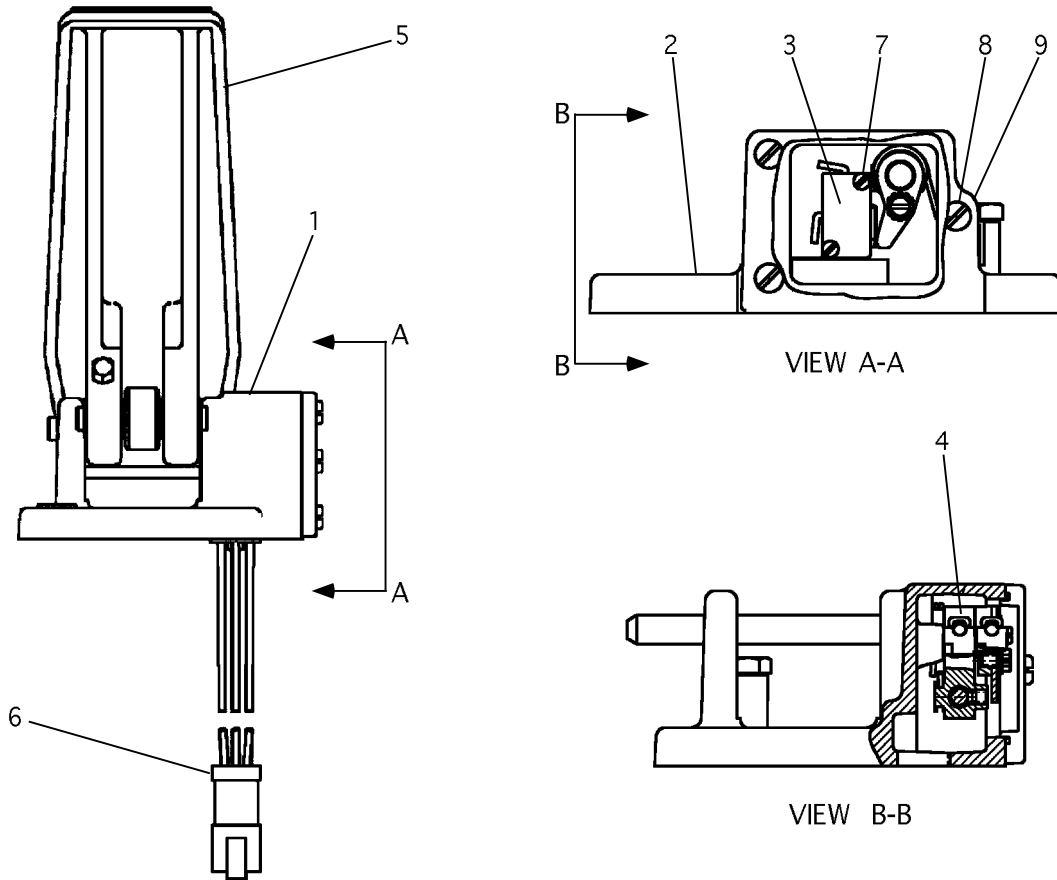
OPERATOR STATION

1	1425113	COVER GP-PLATFORM (ELECT)	442
1	1518107	FAN GP-CIRCULATING	447
1	1513260	INSULATION GP-CAB	448
1	1445420	MOUNTING GP-RADIO	460
1	1258819	MTG GP-BRACKET (FOOT REST)	454
1	1448532	MTG GP-BRACKET (RIFLE)	455
1	1425110	PROTECTOR GP (CAB FRONT)	464

1448601 ACCESSORY GP-CAB

Part of 1447166 Operator Ar

OPERATOR STATION



NOTE	REF NO	PART NUMBER	QTY	PART NAME	NOTE	REF NO	PART NUMBER	QTY	PART NAME
	1	1515594	1	BASE AS	F	-	1515595	1	REPAIR KIT
	2	1611426	1	BASE-LH PEDAL				1	PEDAL PIVOT PIN
	3	1056117	1	SWITCH AS-LIMIT (OUTER)				1	O-RING
	4	1056118	1	SWITCH AS-LIMIT (INNER)				1	SWITCH-CAM
	5	4E3969	1	PEDAL AS				2	BUSHINGS
	6	1065505	1	HARNESS AS					
		1028804	1	RECEPTACLE KIT					
		3E3376	1	RECEPTACLE AS					
		3E3377	1	WEDGE-RECEP LOCK					
		4E8959	1	GROMMET AS					
		7S1201	1	SCREW-MACHINE					
D		5P5677	1	WIRE-ELECTRICAL					
		8T8729	4	PIN-CONNECTOR					
		0062884	4	TERMINAL-BLADE					
	7	1036263	2	MACHINE SCREW-PAN HEAD					
	8	5M6755	3	MACHINE SCREW-HEX HEAD (10/24)					
Z	9	-	1	COVER-PLATE					

D - ORDER BY THE METER
 F - NOT SHOWN
 Z - NOT SERVICED SEPARATELY

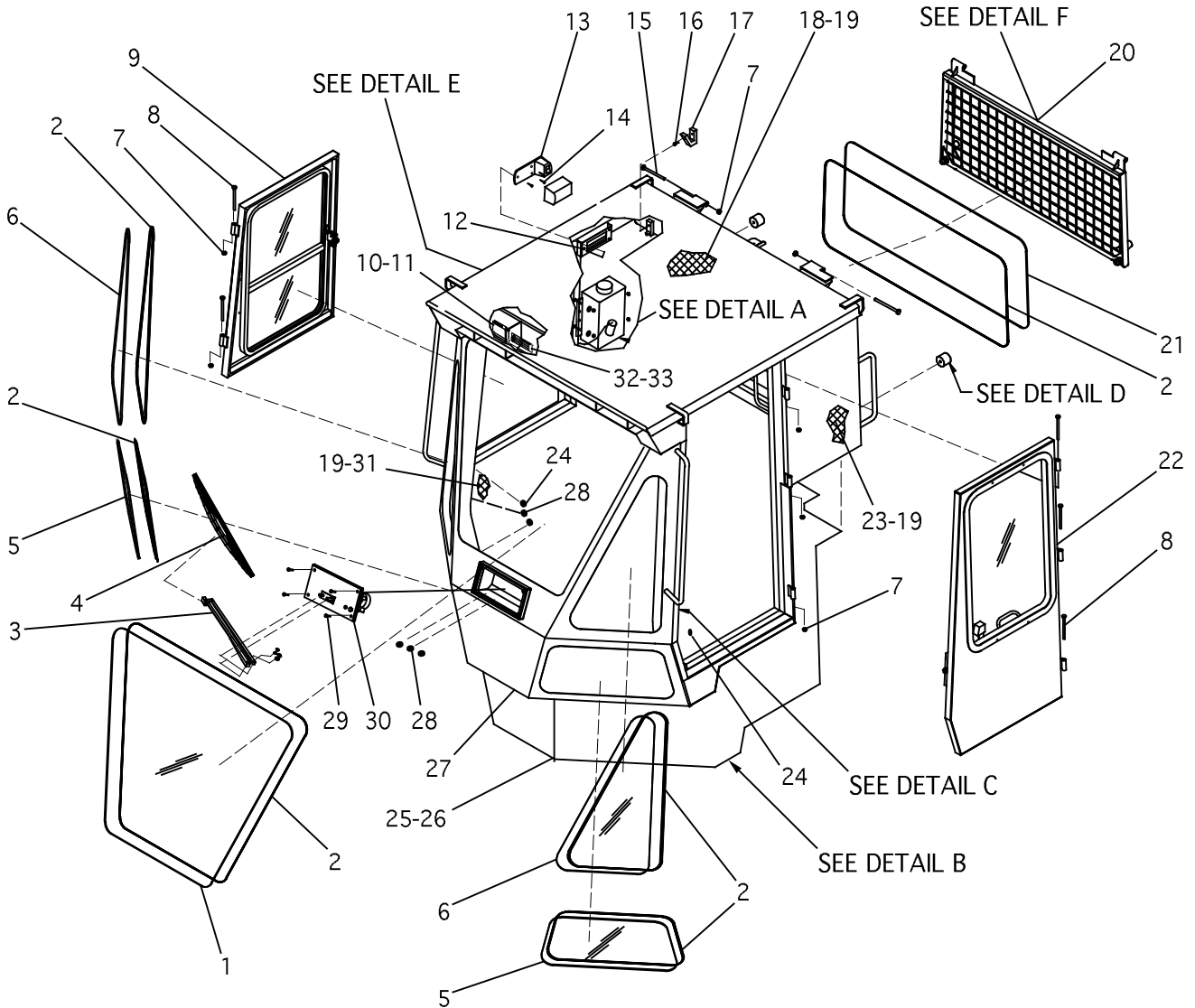
1561698 BASE AS-PEDAL

Part of 1302969 Valve Gp-Brake

NOTES

A large, empty rectangular box with a black border, intended for handwritten notes.

OPERATOR STATION



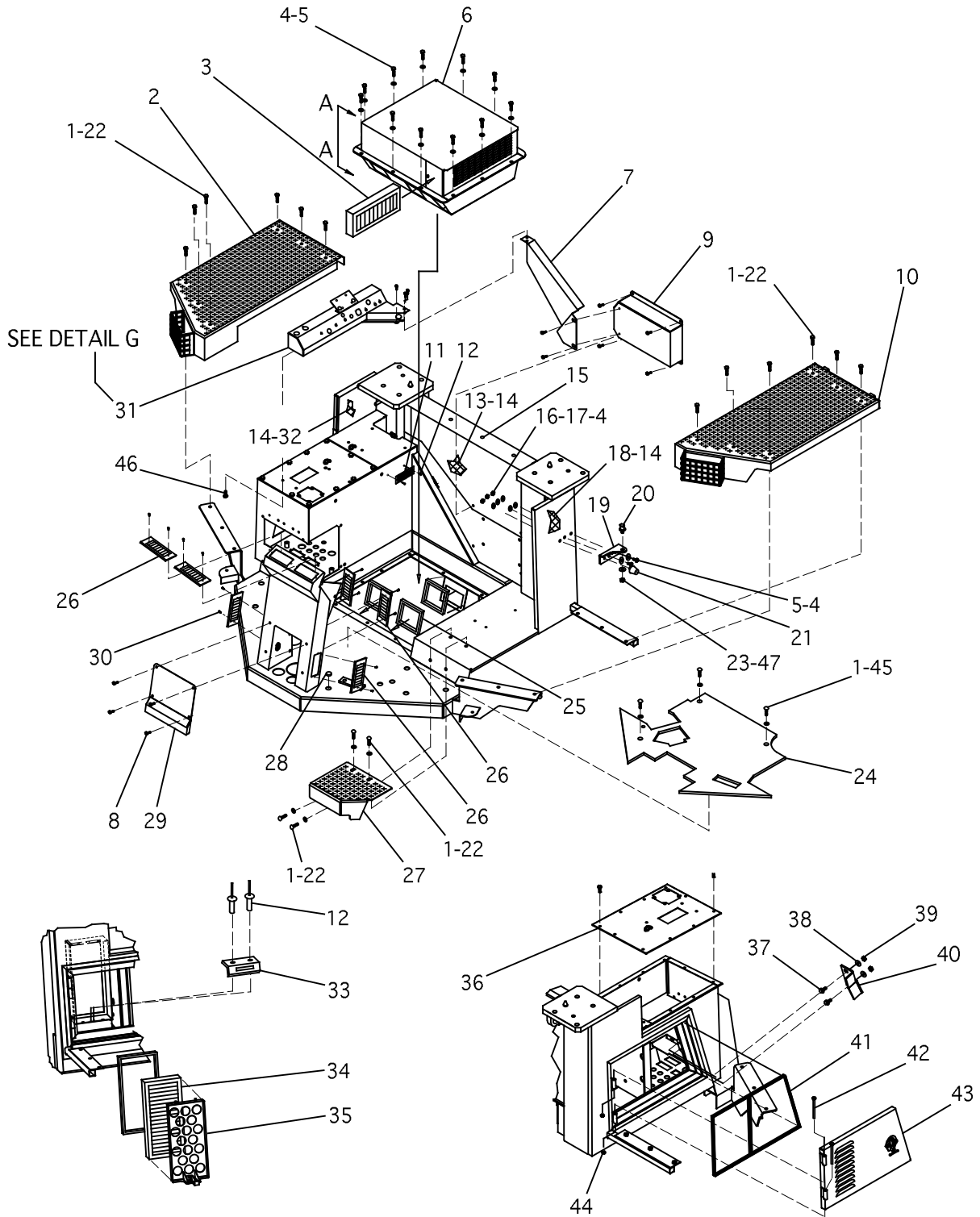
WINDOW STRIKER AS

VIEW FROM RIGHT REAR OF CAB

REFER TO ALL ILLUSTRATIONS OF THIS GROUP

1450425 CAB GP-BASIC PART 1 OF 3 Part of 1447166 Operator Ar

OPERATOR STATION



REFER TO ALL ILLUSTRATIONS OF THIS GROUP

1450425 CAB GP-BASIC PART 2 OF 3
Part of 1447166 Operator Ar

OPERATOR STATION

NOTE	REF NO	PART NUMBER	QTY	PART NAME	NOTE	REF NO	PART NUMBER	QTY	PART NAME
AM	1	8T4136	19	BOLT (M10)					
	2	1426056	1	FENDER-RH					
	3	1538007	2	FILTER-AIR					
	4	7X3393	13	WASHER-HARD					
	5	8T7547	13	BOLT					
Y	6	1358787	1	CONDITIONER GP					
	7	1426057	1	COVER-WIRE					
AM	8	8T3991	4	SCREW-BUTTON HEAD (M6)					
	9	1426058	1	COVER-EPTC					
	10	1426053	1	FENDER-LH					
	11	1426050	1	PLATE-S/N					
	12	1229764	3	RIVET-POP					
	13	1426049	1	FOAM-REAR					
B	14	1426040	1	ADHESIVE-CONTACT					
	15	1426024	3	FASTENER-FOAM					
	16	5C7261	3	NUT					
	17	3B4505	3	LOCKWASHER (5/16)					
	18	1426048	1	FOAM-LOWER					
	19	1426045	1	HOLDER-DOOR					
	20	6V1155	1	STRIKER AS-LATCH					
		6V4270	1	WASHER-CONICAL					
	21	4E1384	3	BUMPER-CONICAL					
A	22	7X7729	16	WASHER-HARD					
	23	7X0447	1	NUT-FULL					
	24	1426046	1	FLOORMAT					
D	25	5P5930	3	SEAL					
	26	8Y6388	6	LOUVER AS					
	27	1426059	1	STEP-ENTRANCE					
	28	6V6891	1	PLUG					
	29	1426052	1	COVER-CONSOLE					
	30	1221045	12	SCREW					
	31	1303313	1	CONSOLE-SWITCH					
	32	1426047	1	FOAM-LOWER					
	33	3W6718	1	STRIKE					
	34	8C4120	1	FILTER-AIR					
Y	35	1426051	2	COVER GP-AIR FILTER					
	36	1426054	1	PANEL-TOP					
	37	1426022	2	BOLT-WHIZLOCK					
	38	3B4504	2	LOCKWASHER (1/4)					
	39	5C2890	2	NUT-HEX					
	40	1426044	1	STRIKER-DOOR					
D	41	1426025	1	SEAL-FOAM					
	42	7X0292	2	BOLT					
Y	43	1426043	1	DOOR GP					
	44	2K4973	2	LOCKNUT					
A	45	8T4222	3	WASHER-PLATED					
	46	8T4171	6	BOLT					
	47	7X0546	1	WASHER					

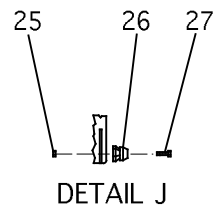
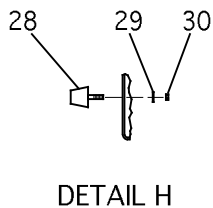
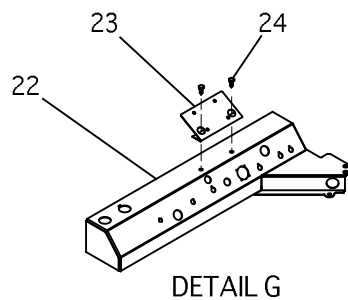
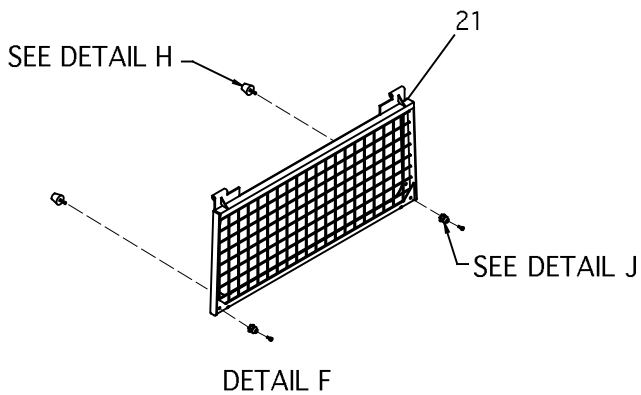
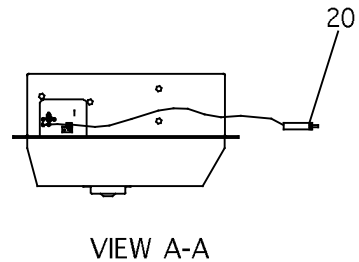
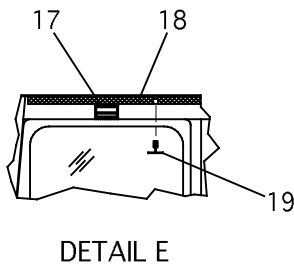
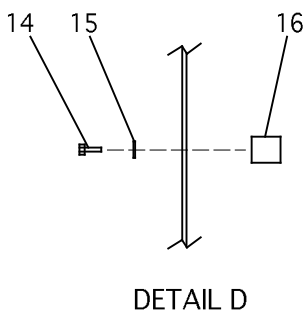
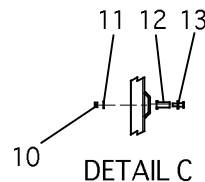
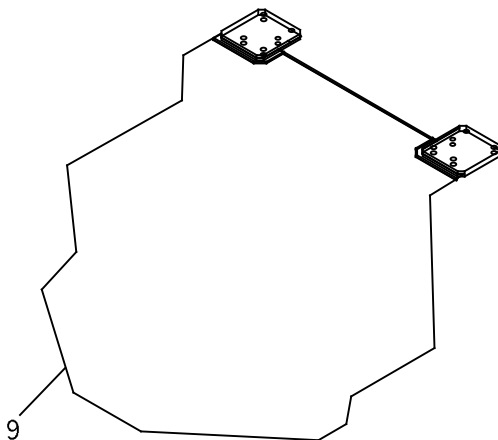
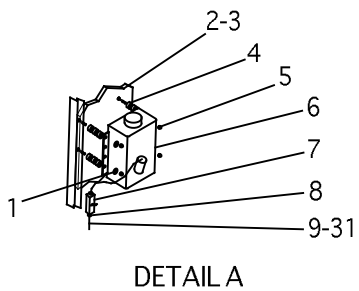
A - NOT PART OF THIS GROUP (PART OF MTG GP-CAB)
 B - USE AS REQUIRED
 D - ORDER BY THE METER
 M - METRIC PART
 Y - SEPARATE ILLUSTRATION

1450425 CAB GP-BASIC PART 2 OF 3

1358787-Page 429, 1426051-Page 439, 1426043-Page 443

Part of 1447166 Operator Ar

OPERATOR STATION



REFER TO ALL ILLUSTRATIONS OF THIS GROUP

1450425 CAB GP-BASIC PART 3 OF 3
Part of 1447166 Operator Ar

OPERATOR STATION

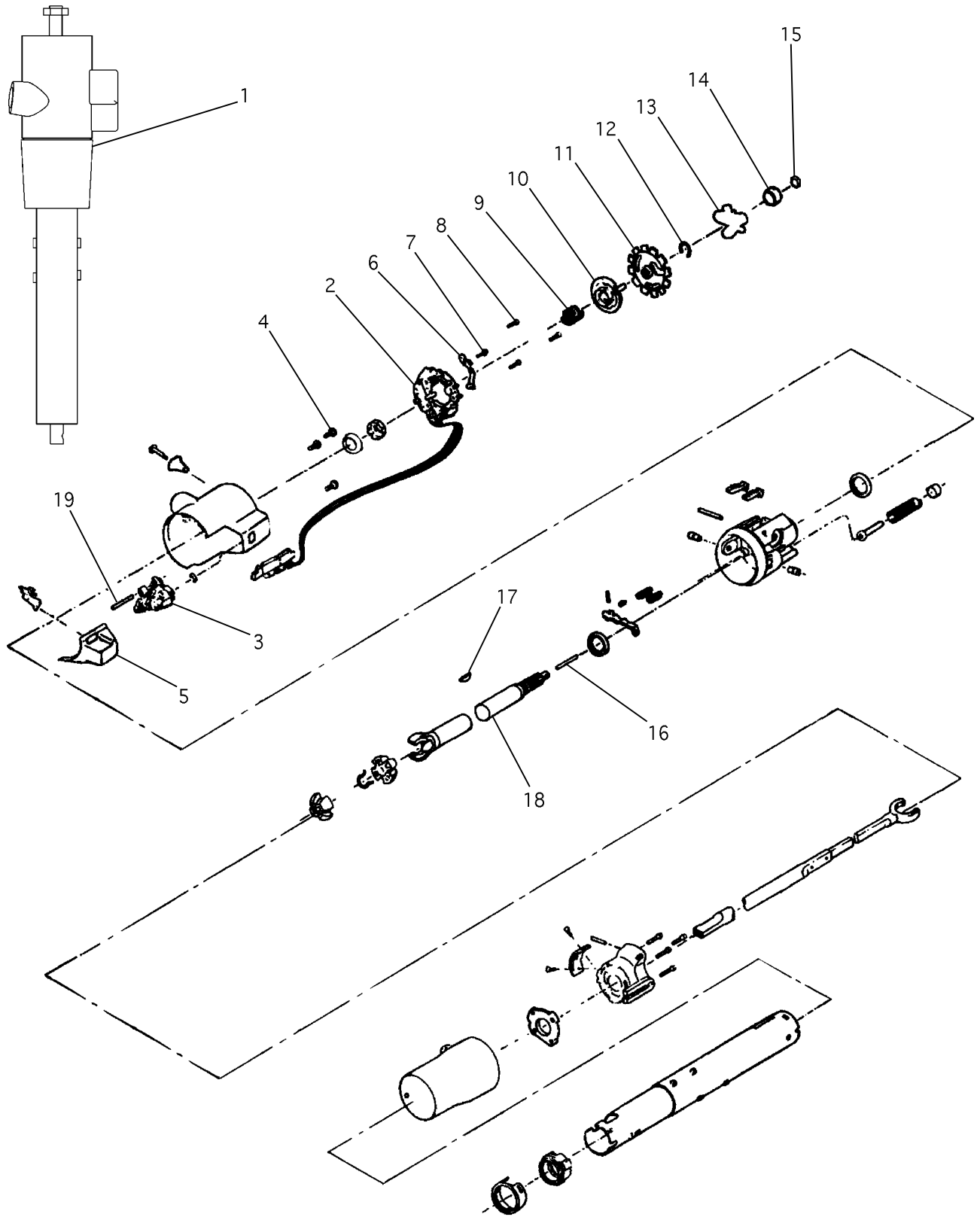
NOTE	REF NO	PART NUMBER	QTY	PART NAME	NOTE	REF NO	PART NUMBER	QTY	PART NAME
	1	4B4674	4	WASHER					
	2	1426035	1	FOAM-UPPER RIGHT					
B	3	1426040	1	ADHESIVE-CONTACT					
	4	1409336	16	BUSHING					
	5	1221010	4	NUT-ACORN					
	6	1313714	1	BOTTLE AS-WASHER					
	7	8T5383	1	VALVE AS-CHECK					
	8	8T3993	2	CLAMP-HOSE					
	9	8Q2778	9	TIE-CABLE 385 LG					
	10	7X0447	2	NUT-FULL					
	11	7X0546	1	WASHER-HARD					
	12	8Y6385	1	SHIELD-STRIKER					
	13	8T3848	1	STRIKER AS-LATCH					
	14	8T5391	2	BOLT					
	15	7X3393	2	WASHER-HARD					
	16	8C4428	2	SOCKET-LATCH					
	17	1426075	1	FILM-EXIT					
	18	1426033	1	HEADLINER					
	19	1426024	6	FASTENER-FOAM					
	20	1256910	1	CABLE AS					
	21	1426039	1	SCREEN-REAR					
	22	1303313	1	CONSOLE-SWITCH					
	23	1426055	1	BRACKET-GPS					
	24	8T4171	2	BOLT					
	25	6V8225	2	NUT-HEX					
	26	9R8538	2	PLUNGER-LATCH					
	27	8C3798	2	BOLT-LOCKING					
	28	4E1384	2	BUMPER-CONICAL					
	29	3B4505	2	LOCKWASHER (5/16)					
	30	5P7970	2	NUT					
E	31	1440195	300	HOSE					

B - USE AS REQUIRED
 E - ORDER BY THE CENTIMETER

1450425 CAB GP-BASIC PART 3 OF 3

Part of 1447166 Operator Ar

OPERATOR STATION



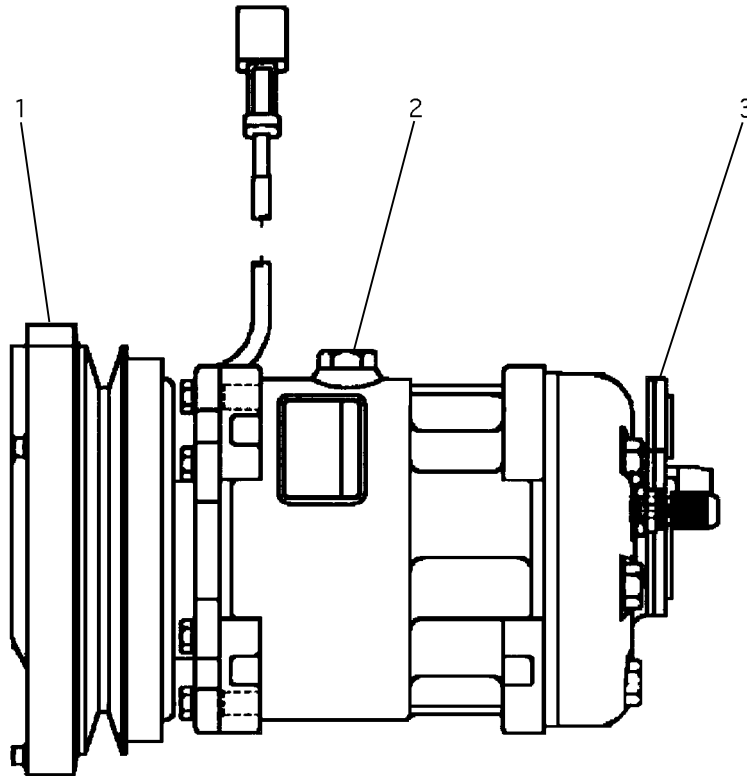
1614348 COLUMN-STEERING
 Part of 1450426 Control Gp-Steering

OPERATOR STATION

NOTE	REF NO	PART NUMBER	QTY	PART NAME	NOTE	REF NO	PART NUMBER	QTY	PART NAME
	1	3W5956	1	COLUMN AS					
	2	6T6069	1	SWITCH AS-SIGNAL					
	3	9X3266	1	SWITCH AS-WIPER					
	4	8H1643	3	SCREW-PAN HEAD					
	5	1851565	1	CAP-END					
	6	1851563	1	ARM AS-SWITCH					
	7	1851642	1	SCREW-ROUND HEAD					
	8	1851641	3	SCREW-PAN HEAD					
	9	1872849	1	SPRING					
	10	1851558	1	CAM-CANCELING					
	11	1851559	1	LOCK-SHAFT					
	12	1851561	1	RETAINER					
	13	1851554	1	RETAINER					
	14	1851556	1	BUMPER-SHAFT					
	15	1252976	1	NUT					
	16	1872848	1	ROD-LOCKING					
	17	1872847	1	WEDGE-LOCKING					
	18	1851551	1	SHAFT-UPPER					
	19	1851567	1	PIN-PIVOT					
				ITEMS NOT IDENTIFIED ARE NOT SOLD SEPARATELY					

1614348 COLUMN-STEERING
Part of 1450426 Control Gp-Steering

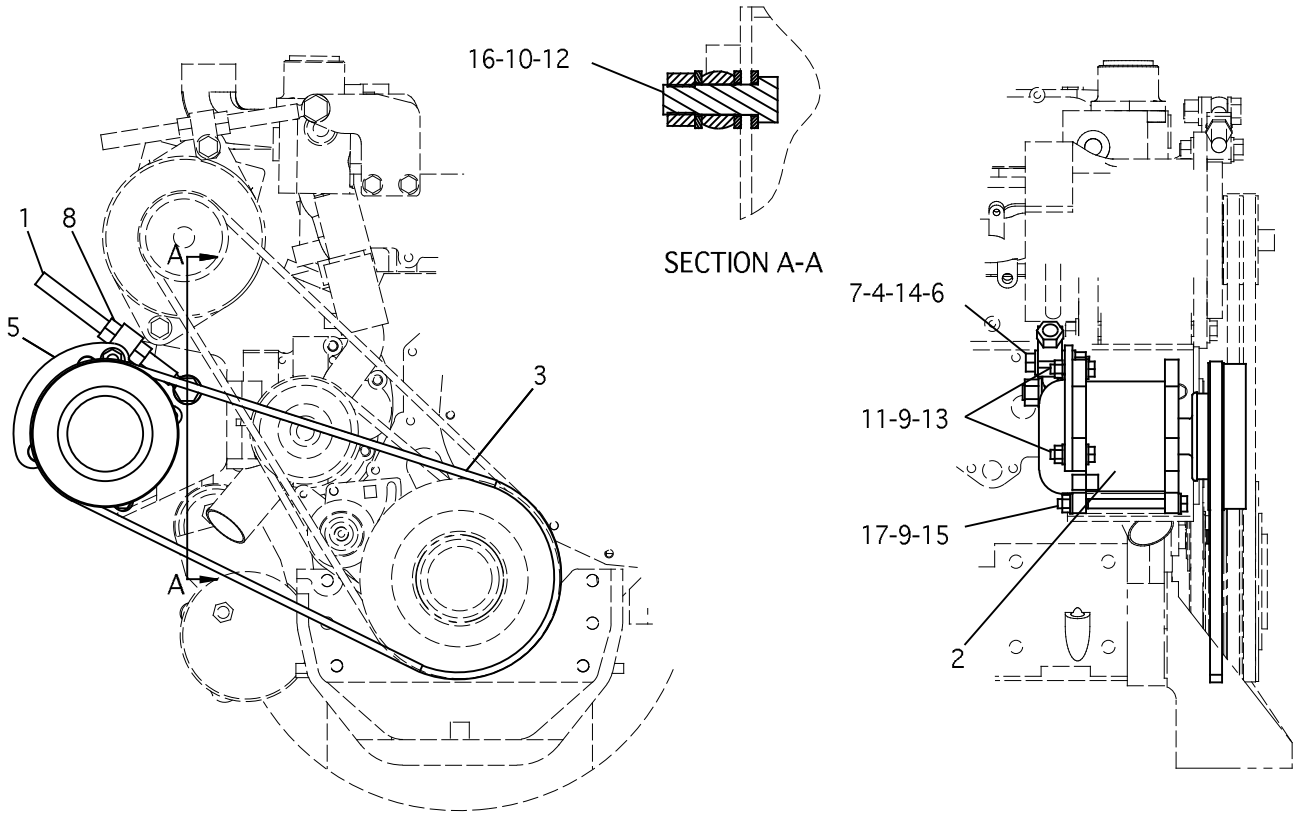
OPERATOR STATION



NOTE	REF NO	PART NUMBER	QTY	PART NAME	NOTE	REF NO	PART NUMBER	QTY	PART NAME
	1	3E3658	1	COMPRESSOR AS					
	2	7T4532	1	PLUG AS					
	3	9X7385	2	SEAL-O-RING (OD 27.3)					

3E1906 COMPRESSOR GP
Part of 1265830 Compressor Gp

OPERATOR STATION



NOTE	REF NO	PART NUMBER	QTY	PART NAME	NOTE	REF NO	PART NUMBER	QTY	PART NAME
	1	1S4698	1	ROD (5/8)					
RY	2	3E1906	1	COMPRESSOR-GP					
	3	3S8448	1	V-BELT					
	4	8S5383	1	BLOCK					
	5	1293063	1	BRACKET					
	6	5P2424	1	BOLT (1/2)					
	7	6V8188	1	NUT-FULL (1/2)					
	8	7X0448	2	NUT-FULL (5/8)					
M	9	8T4121	6	WASHER-HARD (M10)					
M	10	8T4132	1	NUT (M16)					
M	11	8T4133	2	NUT (M10)					
M	12	8T4140	1	BOLT (M16)					
M	13	8T4186	2	BOLT (M10)					
	14	8T4223	3	WASHER-HARD (1/2)					
M	15	8T5436	1	BOLT (M10)					
M	16	9X8257	3	WASHER (M16)					
	17	8T0389	1	LOCKNUT					

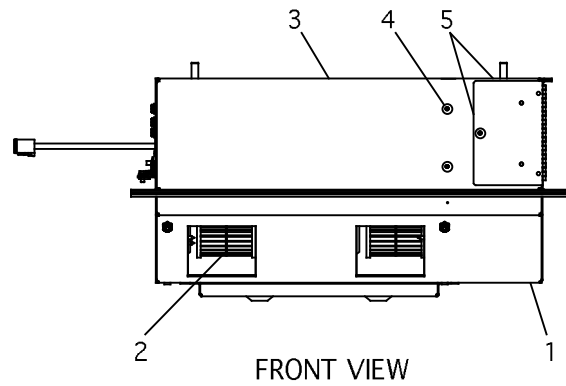
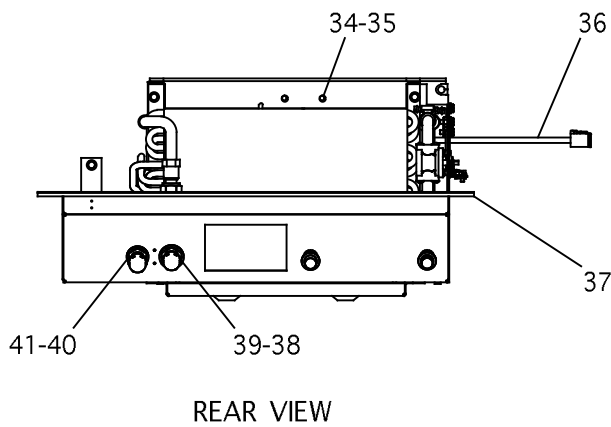
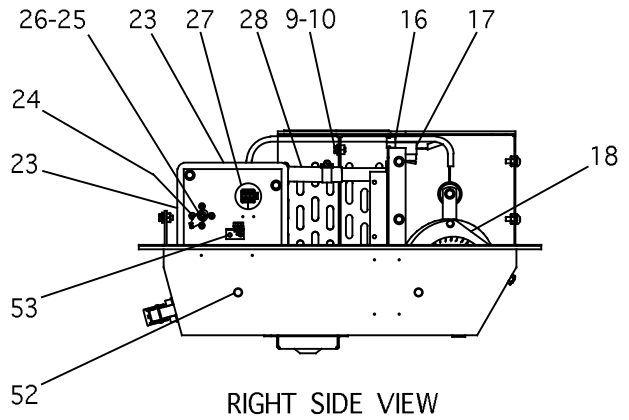
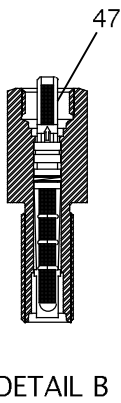
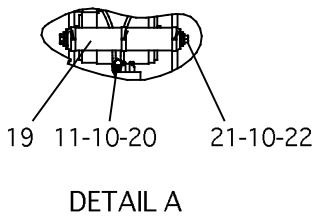
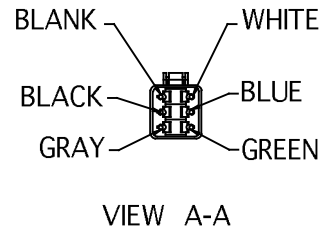
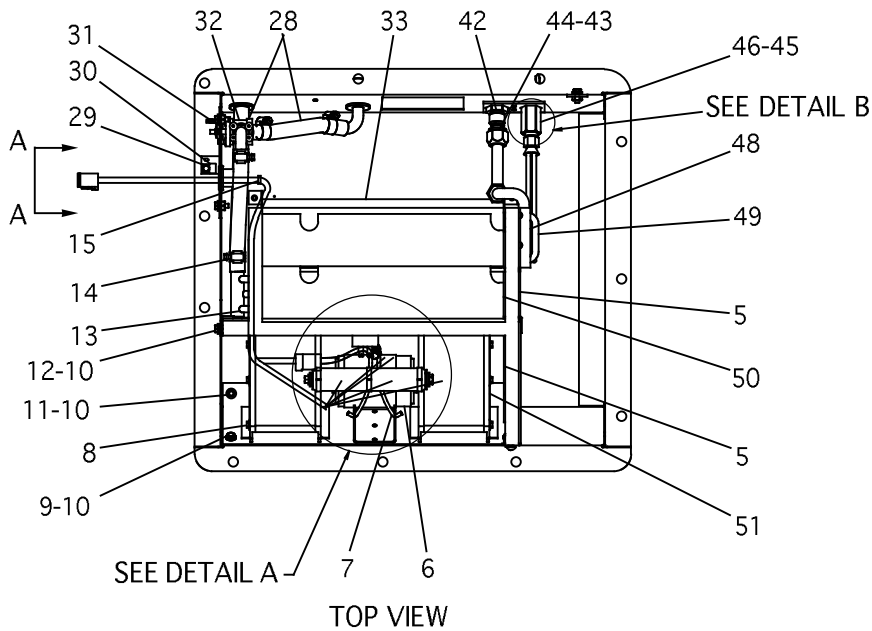
M - METRIC PART
R - REMFG MAY BE AVAILABLE
Y - SEPARATE ILLUSTRATION

1265830 COMPRESSOR GP

3E1906-Page 426

Part of 1447163 Installation Ar

OPERATOR STATION



1358787 CONDITIONER GP-AIR
Part of 1450425 Cab Gp-Basic

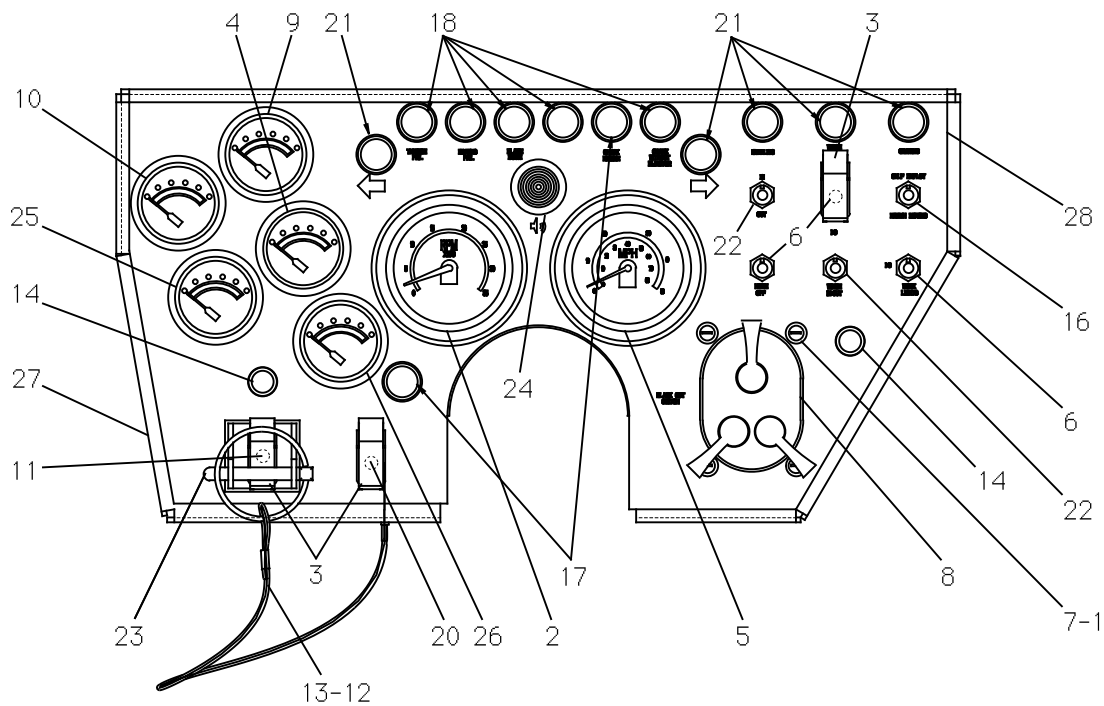
OPERATOR STATION

NOTE	REF NO	PART NUMBER	QTY	PART NAME	NOTE	REF NO	PART NUMBER	QTY	PART NAME
	1	1485362	1	CASE			6T6505	5	HOUSING-RECEP
	2	1003426	2	WHEEL-BLOWER			6T6506	5	TERMINAL-RECEP
		0374838	1	CLAMP			8T8737	1	PLUG-SEAL
	3	1485363	1	COVER			9W0844	2	SOCKET-CONNECTOR
	4	9X2044	3	SCREW-TRUSS HEAD			9W0852	5	PIN-CONNECTOR
D	5	6V1392	2	SEAL		37	1485361	2	GASKET
	6	1129565	1	MOTOR AS-CWLE		38	2H3923	1	LOCKWASHER (7/8)
		3E3365	1	WEDGE-RECEP LOCK		39	7F2060	1	LOCKNUT
		9G0398	1	BRUSH KIT-MOTOR		40	7F2050	1	LOCKNUT
		-	2	BRUSH		41	2H3922	1	LOCKWASHER (3/4)
		-	2	BRUSH CAP		42	7G4850	1	UNION (F,F-A/C)
		9W0852	2	PIN-CONNECTOR		43	9X7382	2	SEAL-O-RING (INVERT A/C-OD 17.6)
		1028802	1	RECEPTACLE KIT		44	1130306	1	TUBE AS-A/C
		3E3365	1	WEDGE-RECEP LOCK		45	9X7381	1	SEAL-O-RING (INVERT A/C-OD 14.4)
		8T8729	2	PIN-CONNECTOR		46	3E0406	1	FITTING-BULKHEAD
		3E3365	1	WEDGE-RECEP LOCK		47	3E0068	1	ORIFICE AS-A/C
	7	8C4586	2	CLAMP-MOTOR		48	1130303	1	COIL AS-EVAP
	8	2S3745	6	SCREW-TAPPING	D	49	5P7070	2	INSULATION-STRIP
	9	8T4171	4	BOLT		50	1248494	2	GASKET
	10	8T4205	14	WASHER-HARD		51	1185046	1	HOUSING AS
	11	0990492	3	NUT-SELF LOCKING			6V9632	1	NUT-WELD
	12	5C9553	5	BOLT		52	5P8407	8	PIN-WELD
	13	1130302	1	COIL AS-HEATER		53	1V3113	1	CLIP
	14	5D1026	6	CLAMP-HOSE					
	15	3S2093	2	STRAP-CABLE					
	16	1143140	1	GROMMET					
	17	3E5464	1	SWITCH AS-THERMO					
	18	1003143	2	PLATE-ORIFICE					
	19	9G1950	1	RESISTOR					
	20	8C8451	1	BOLT					
	21	9X8498	1	BOLT					
	22	6V1668	2	WASHER					
D	23	8T5372	1	SEAL					
	24	9X2185	4	SCREW-THD					
	25	0374426	1	RETAINER					
	26	3E1841	1	LEVER					
	27	1P6522	1	GROMMET					
E	28	6V5651	56	HOSE					
	29	8C8457	1	SCREW-MACHINE					
	30	6T5098	1	CLIP					
	31	8Y5737	1	CLIP					
	32	1248495	1	VALVE AS-WATER					
D	33	5P5643	1	SEAL					
	34	8T6631	2	SCREW-MACHINE					
	35	3B4501	2	LOCKWASHER (#8)					
	36	1185044	1	HARNES AS					
		1028807	1	PLUG KIT-CONN					
		3E3361	1	PLUG AS-CONN					
		3E3362	1	WEDGE-PLUG LOCK					
		1028812	1	SEAL-INTERFACE					
		3E3362	1	WEDGE-PLUG LOCK					
		1028805	1	RECEPTACLE KIT					
		3E3382	1	RECEPTACLE AS					
		3E3383	1	WEDGE-RECEP LOCK					
		3S2093	3	STRAP-CABLE					
D		5P5624	1	WIRE-ELECTRICAL					

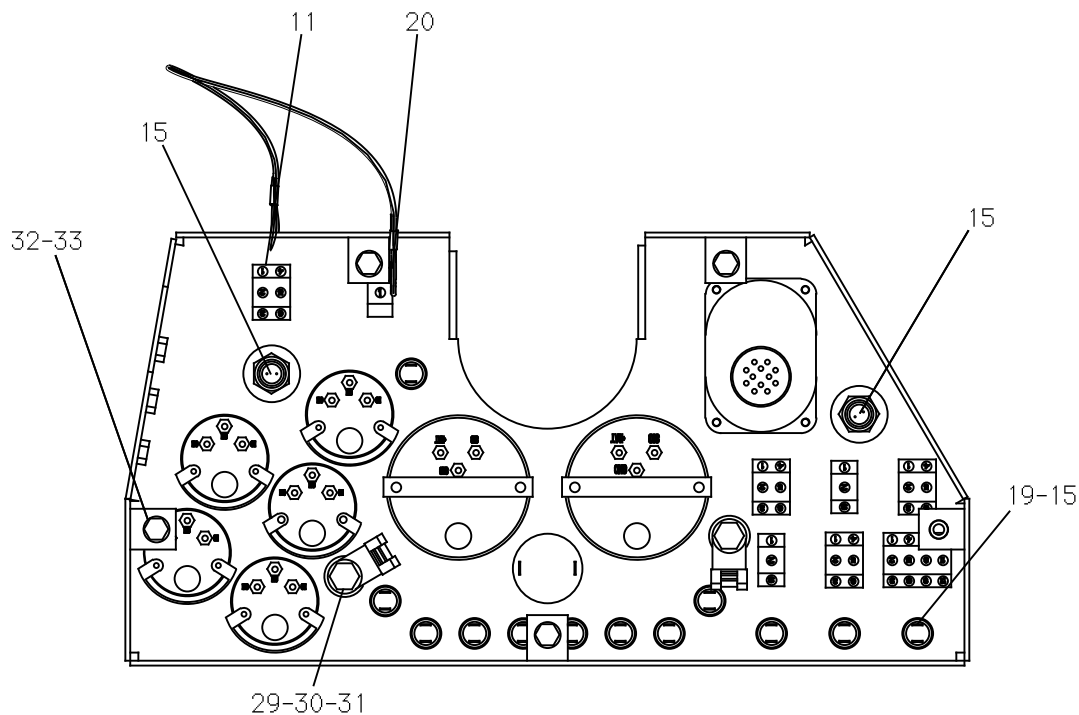
D - ORDER BY THE METER
 E - ORDER BY THE CENTIMETER

1358787 CONDITIONER GP-AIR
 Part of 1450425 Cab Gp-Basic

OPERATOR STATION



TOP VIEW



BOTTOM VIEW

1450075 CONSOLE GP-INSTRUMENT

Part of 1447166 Operator Ar

OPERATOR STATION

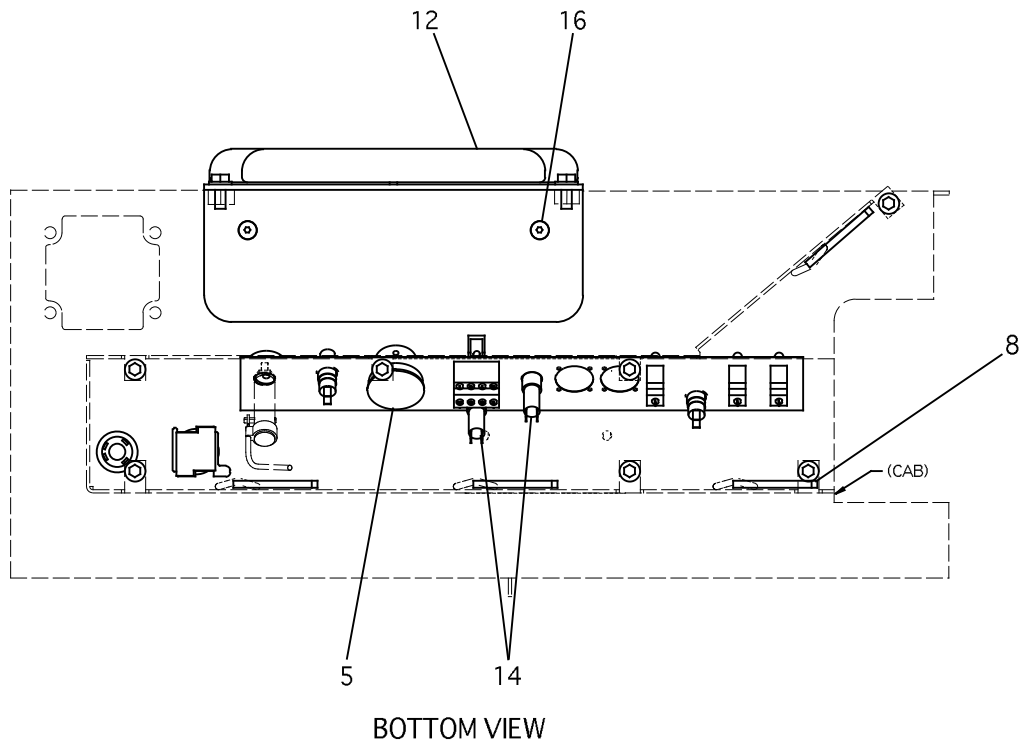
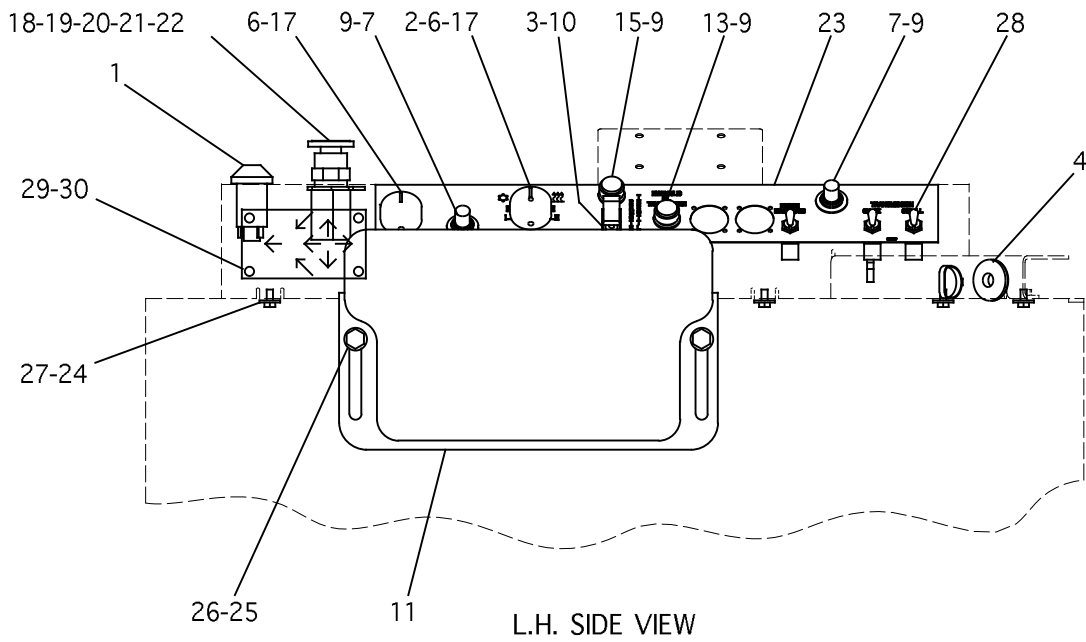
NOTE	REF NO	PART NUMBER	QTY	PART NAME	NOTE	REF NO	PART NUMBER	QTY	PART NAME
M	1	2S6895	4	SCREW (10/32)			6T3632	1	LOCKWASHER-INT
	2	3E3742	1	TACHOMETER AS			6T3633	1	RING-LOCKING
		3L8187	4	LOCKWASHER (#6)			6V8374	3	SCREW-MACHINE (6/32)
		4B5324	4	WASHER		22	9G0011	2	SWITCH AS-TOGGLE
		6V8368	4	NUT (6/32)		23	1035796	1	PIN
		6V8377	2	NUT (8/32)		24	1045253	1	HORN-FAST PULSE
		9B7233	2	LOCKWASHER (#8)		25	1051457	1	INDICATOR AS-VOLT
	3	3E5169	3	GUARD-SWITCH			3L8187	2	LOCKWASHER (#6)
	4	3E7240	1	INDICATOR AS-TEMP TXSM			4B2043	2	NUT (8/32)
		3L8187	3	LOCKWASHER (#6)			4B5324	2	WASHER
		4B5324	3	WASHER			6V3507	1	SEAL-RECTANGULAR
		6V3507	1	SEAL-RECTANGULAR			6V8368	2	NUT (6/32)
		6V8368	3	NUT (6/32)			9B7233	2	LOCKWASHER (#8)
		6V8377	2	NUT (8/32)		26	1164684	1	INDICATOR AS-LEVEL FUEL
		9B7233	2	LOCKWASHER (#8)			3L8187	3	LOCKWASHER (#6)
	5	3T3408	1	SPEEDOMETER-ELECTRIC			4B5324	3	WASHER
	6	3T4405	3	SWITCH AS-TOGGLE			6V3507	1	SEAL-RECTANGULAR
		3L8187	6	LOCKWASHER (#6)			6V8368	3	NUT (6/32)
		6T3631	2	NUT-HEXAGON			6V8377	2	NUT (8/32)
		6T3632	1	LOCKWASHER-INT			9B7233	2	LOCKWASHER (#8)
		6T3633	1	RING-LOCKING		27	1445633	1	BOX AS-INSTRUMENT
		6V8374	6	SCREW-MACHINE (6/32)	M		6V9632	3	NUT-WELD (M6)
	7	4B4274	4	WASHER (M5)	M		8T3612	5	NUT-WELD (M8)
	8	4R8819	1	SWITCH-BLACKOUT			9R5271	2	BOSS
	9	4W0483	1	INDICATOR AS-TEMP COOLANT			1458959	1	FILM-DASH
		3L8187	3	LOCKWASHER (#6)			4P7429	2	CLIP
		4B5324	3	WASHER	M	30	8T4121	2	WASHER (M10)
		6V3507	1	SEAL-RECTANGULAR	M	31	8T4137	2	BOLT (M10)
		6V8368	3	NUT (6/32)	M	32	8T4189	5	BOLT (M8)
		6V8377	2	NUT (8/32)	M	33	8T4224	5	WASHER (M8)
		9B7233	2	LOCKWASHER (#8)					
	10	4W2065	1	INDICATOR AS-PRESS OIL					
		3L8187	3	LOCKWASHER (#6)					
		4B5324	3	WASHER					
		6V3507	1	SEAL-RECTANGULAR					
		6V8368	3	NUT (6/32)					
		6V8377	2	NUT (8/32)					
		9B7233	2	LOCKWASHER (#8)					
	11	5N0364	1	SWITCH AS-TOGGLE					
	12	5P7958	2	SLEEVE-CABLE					
	13	5R9956	1	CABLE AS					
		5P7958	1	SLEEVE-CABLE SPLICE					
	14	7G9730	2	LAMP-MINIATURE					
		6V8367	1	LOCKWASHER-TOOTH					
		6V8382	1	NUT-HEXAGON					
15	7N5876	14	LAMP-MINIATURE						
16	8C0378	1	SWITCH						
17	9D2867	2	LENS-AMBER						
18	9D2868	5	LENS-RED						
19	9D3127	12	BASE AS-INDICATOR						
	6V8367	1	LOCKWASHER-TOOTH						
	6V8382	1	NUT-HEXAGON						
20	9D3721	1	SWITCH-TOGGLE						
21	9D9161	5	LENS						
	3L8187	3	LOCKWASHER (#6)						
	6T3631	2	NUT-HEXAGON						

M - METRIC PART

1450075 CONSOLE GP-INSTRUMENT

Part of 1447166 Operator Ar

OPERATOR STATION



1265842 CONSOLE GP-OPERATOR
 Part of 1447166 Operator Ar

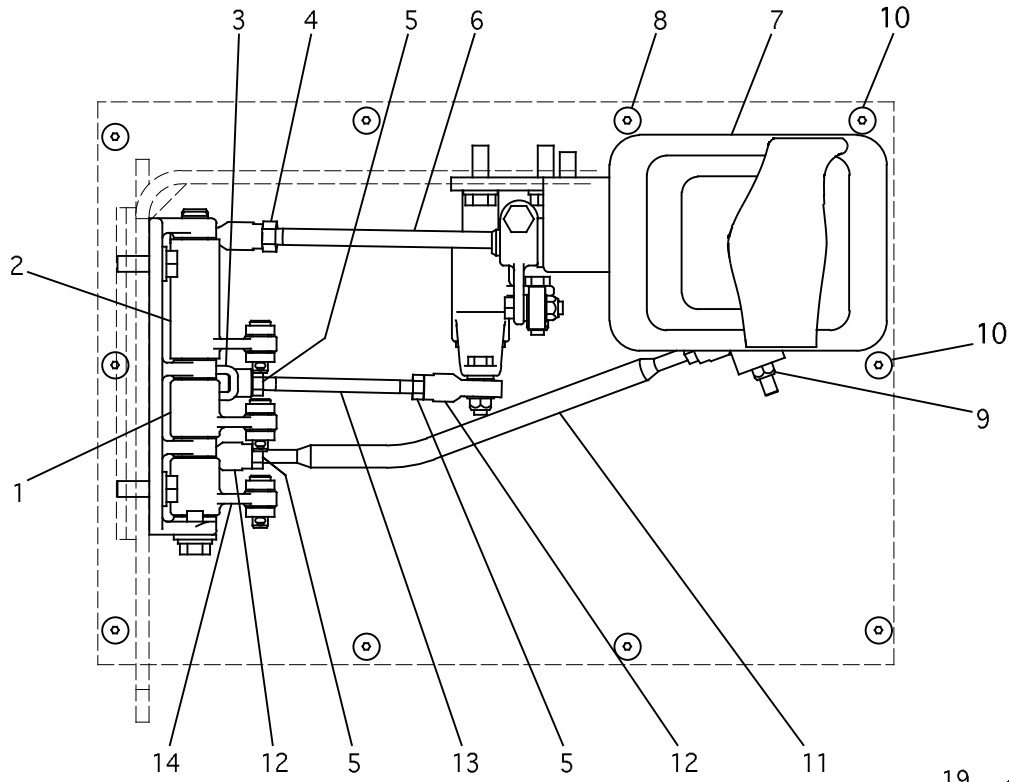
OPERATOR STATION

NOTE	REF NO	PART NUMBER	QTY	PART NAME	NOTE	REF NO	PART NUMBER	QTY	PART NAME
	1	1Q1445	1	SWITCH-HEATER					
		1Q2867	1	BULB-SWITCH					
	2	2P4339	2	NUT-JAM					
	3	3E5169	1	GUARD-SWITCH					
	4	5P6419	1	GROMMET					
	5	6P3236	1	SWITCH AS-ROTARY					
		6V8362	5	SCREW-MACHINE					
		9B7233	5	LOCKWASHER					
	6	7F6998	2	LOCKWASHER					
	7	7G9730	2	LAMP AS					
		6V8367	1	LOCKWASHER-TOOTH					
		6V8382	1	NUT-HEXAGON					
	8	7K1181	4	STRAP-CABLE					
	9	7N5876	4	LAMP-MINIATURE					
	10	8C0378	1	SWITCH					
	11	8E4147	1	SUPPORT					
	12	8E4148	1	CUSHION AS					
	13	9D2868	1	LENS-RED					
	14	9D3127	2	BASE AS-INDICATOR					
		6V8367	1	LOCKWASHER-TOOTH					
		6V8382	1	NUT-HEXAGON					
	15	9D9161	1	LENS-GREEN					
	16	0307732	3	BOLT-FLATHEAD					
	17	1106109	2	KNOB-CONTROL					
	18	1165270	1	LAMP-RED					
	19	1165274	1	KNOB-RED					
	20	1165275	1	SWITCH-OPERATOR					
	21	1166565	1	BLOCK-LIGHT					
	22	1227344	1	BLOCK-CONTACT					
	23	1519203	1	FILM-INSTRUCTION					
	24	5P4115	7	WASHER-HARD					
	25	8T4121	2	WASHER					
	26	8T4136	2	BOLT					
	27	5C9553	7	BOLT					
	28	9D3721	3	SWITCH-TOGGLE					
	29	1688389	4	TACK-FASTENER					
	30	1784916	1	PLATE-INSTRUCTION					

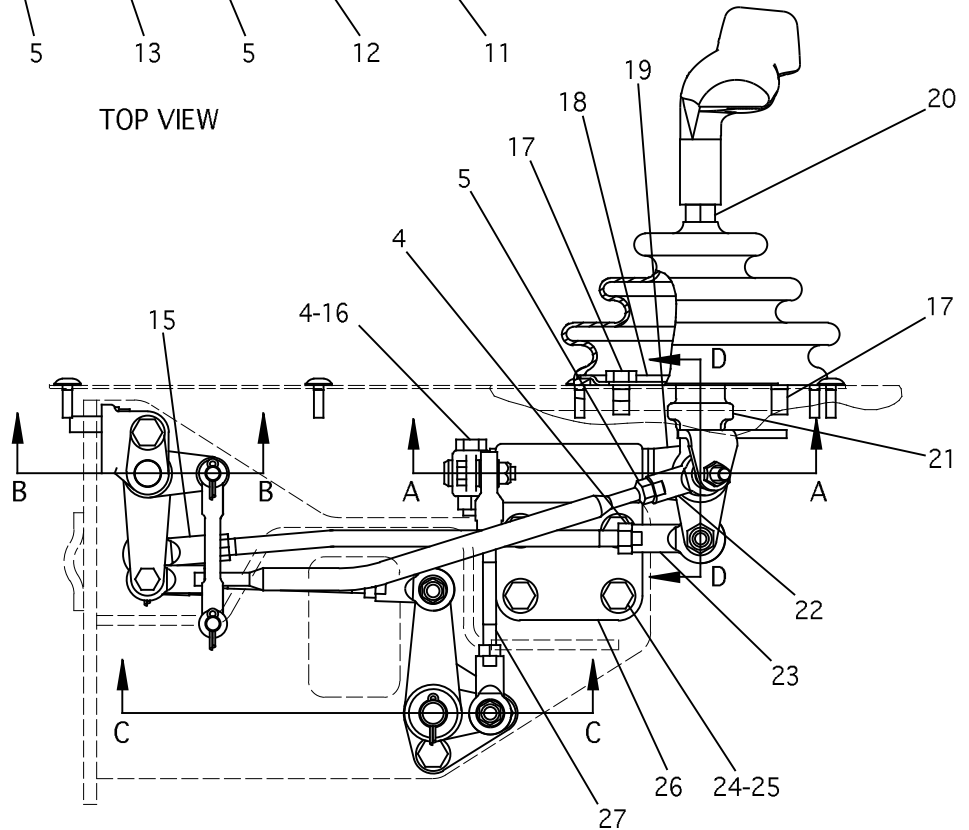
1265842 CONSOLE GP-OPERATOR

Part of 1447166 Operator Ar

OPERATOR STATION



TOP VIEW

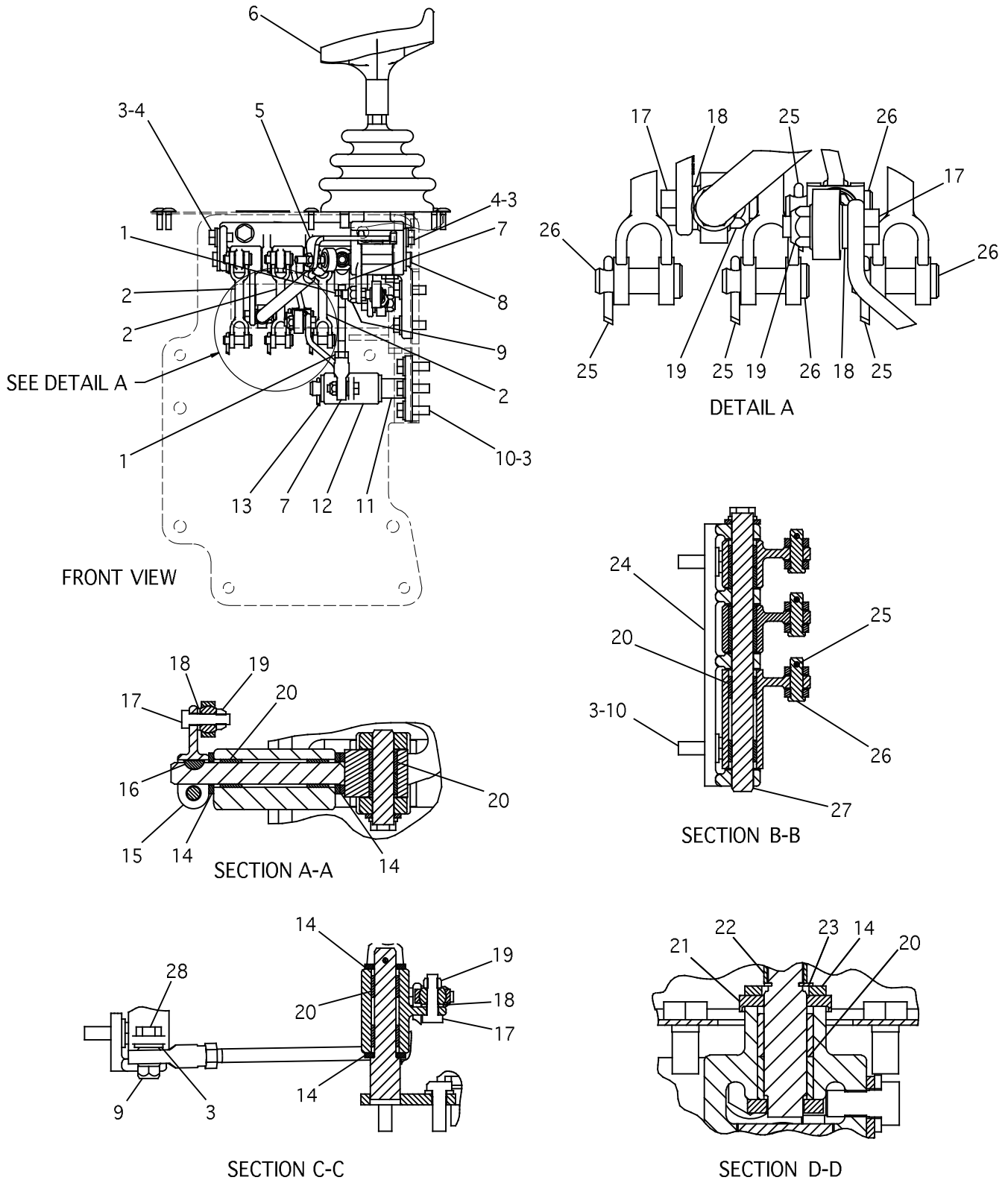


RIGHT SIDE VIEW

REFER TO ALL ILLUSTRATIONS OF THIS GROUP

1324498 CONTROL GP-BLADE PART 1 OF 2
Part of 1447166 Operator Ar

OPERATOR STATION



REFER TO ALL ILLUSTRATIONS OF THIS GROUP

1324498 CONTROL GP-BLADE PART 2 OF 2
Part of 1447166 Operator Ar

OPERATOR STATION

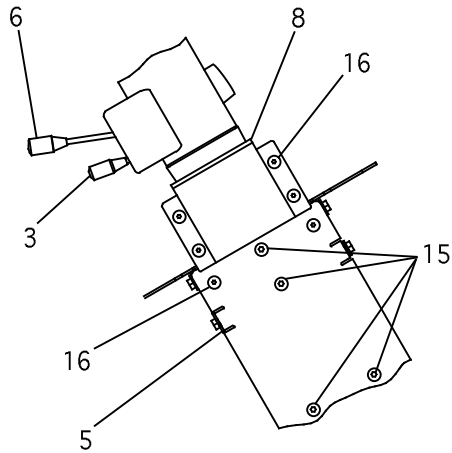
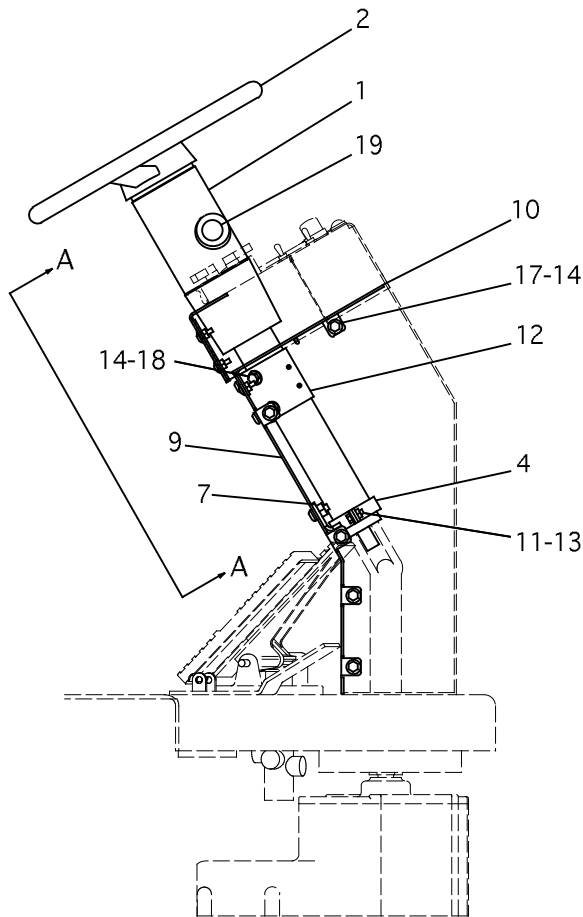
NOTE	REF NO	PART NUMBER	QTY	PART NAME	NOTE	REF NO	PART NUMBER	QTY	PART NAME
M	1	5C7261	2	NUT (M8)					
	2	7F3713	3	ROD-CONTROL					
	3	8T4121	6	WASHER-HARD					
M	4	8T4191	2	BOLT (M10)					
	5	1119894	1	LEVER AS					
	6	1151153	1	HANDLE					
	7	7X7915	2	ROD END-SPHER					
	8	1119870	1	SHAFT AS					
M	9	6V7744	2	LOCKNUT (M10)					
M	10	8T4195	5	BOLT (M10)					
	11	1119891	1	SHAFT AS					
	12	3W1493	1	LEVER					
	13	3B4617	1	COTTER					
	14	9X8257	6	WASHER					
	15	1119890	1	LEVER					
	16	1B8704	1	KEY-WOODRUFF					
M	17	8T7547	4	BOLT (M8)					
	18	8T4224	4	WASHER-HARD					
M	19	6V9189	4	LOCKNUT (M8)					
	20	5P9209	14	BEARING-ROLLER					
	21	8E1370	1	WASHER-THRUST					
	22	1121869	1	BUSHING					
	23	7S5757	1	RING-RETAINING					
	24	1119871	1	SUPPORT					
	25	3B4615	7	PIN-COTTER					
	26	1B0676	7	PIN					
	27	1119876	1	SHAFT AS					
M	28	8T4186	1	BOLT (M10)					

M - METRIC PART

1324498 CONTROL GP-BLADE PART 2 OF 2

Part of 1447166 Operator Ar

OPERATOR STATION



VIEW A-A

NOTE	REF NO	PART NUMBER	QTY	PART NAME	NOTE	REF NO	PART NUMBER	QTY	PART NAME
Y	1	1614348	1	COLUMN-STEERING		12	8R4750	1	BRACKET AS
	2	3W5957	1	WHEEL AS-STEERING			1F0750	2	NUT-WELD
	3	3W5960	1	LEVER AS		13	5P4115	2	WASHER-HARD
	4	3W5966	1	CLAMP AS		14	5P4116	13	WASHER-HARD
		8Y0034	1	GASKET		15	6J0488	4	SCREW-HEAD (3/8)
		9F6445	2	NUT-WELD	M	16	8T3991	6	SCREW (M6)
	5	8C9987	1	WASHER	M	17	8T4189	10	BOLT-HEX (M8)
	6	8R7097	1	LEVER AS	M	18	8T4199	4	BOLT-HEX (M8)
	7	1302788	1	BRACKET AS		19	9D3767	1	PLUG-BUTTON
		8T3490	2	NUT-WELD					
		8Y0034	1	GASKET					
8	1302868	1	COVER AS						
	6V9632	4	NUT-WELD						
9	1311223	1	PLATE AS						
	8T3612	8	NUT-WELD						
	5P1075	8	WASHER-HARD						
10	1451203	1	PLATE AS						
	5D9629	1	ROD						
M		6V9632	2	NUT-WELD (M6)					
M		8T3612	2	NUT-WELD (M8)					
	11	4M5281	2	BOLT (1/4)					

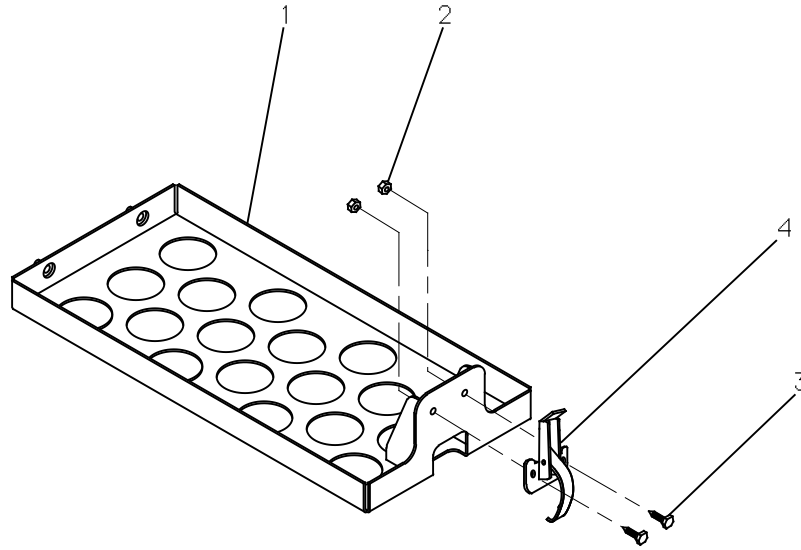
M - METRIC PART
Y - SEPARATE ILLUSTRATION

1450426 CONTROL GP-STEERING

1614348-Page 425.00

Part of 1447166 Operator Ar

OPERATOR STATION

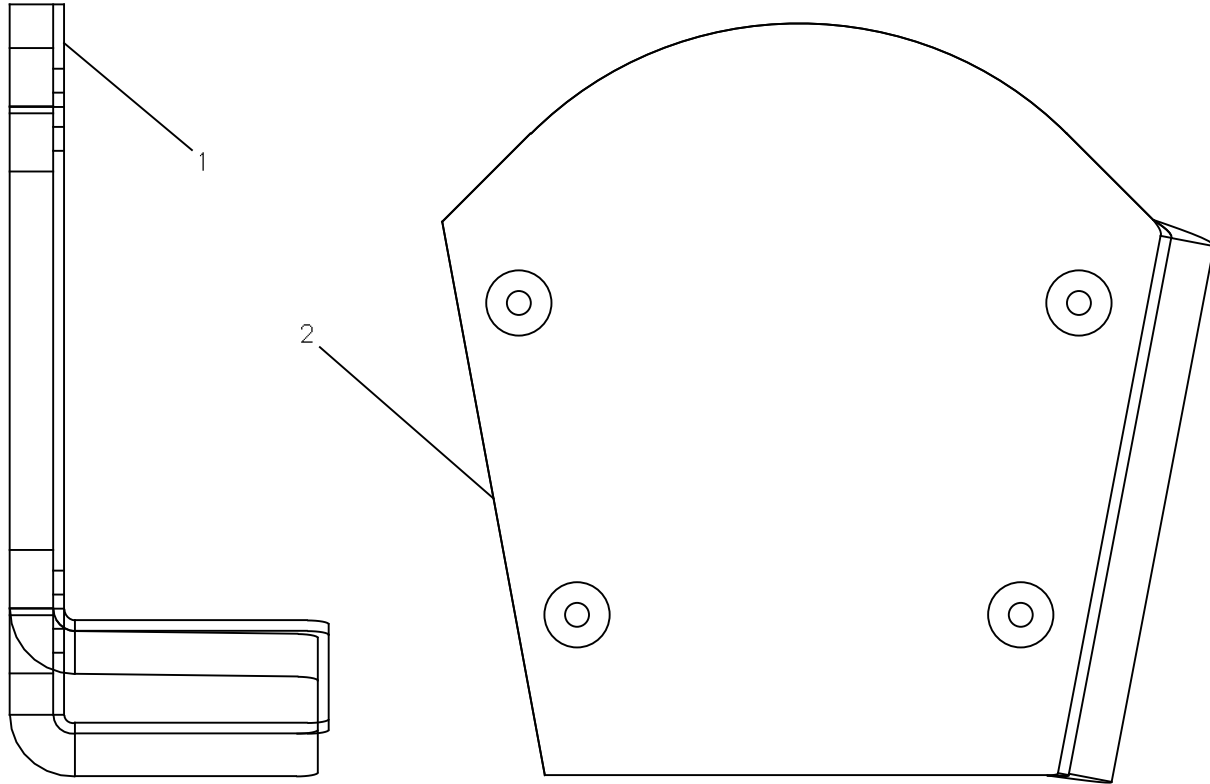


NOTE	REF NO	PART NUMBER	QTY	PART NAME	NOTE	REF NO	PART NUMBER	QTY	PART NAME
	1	1426065	1	COVER-FILTER					
	2	0310249	2	NUT-SELF LOCKING					
	3	4M8478	2	SCREW-MACHINE					
	4	3W6717	1	LATCH					

1426051 COVER GP-CAB AIR FILTER

Part of 1450425 Cab Gp-Basic

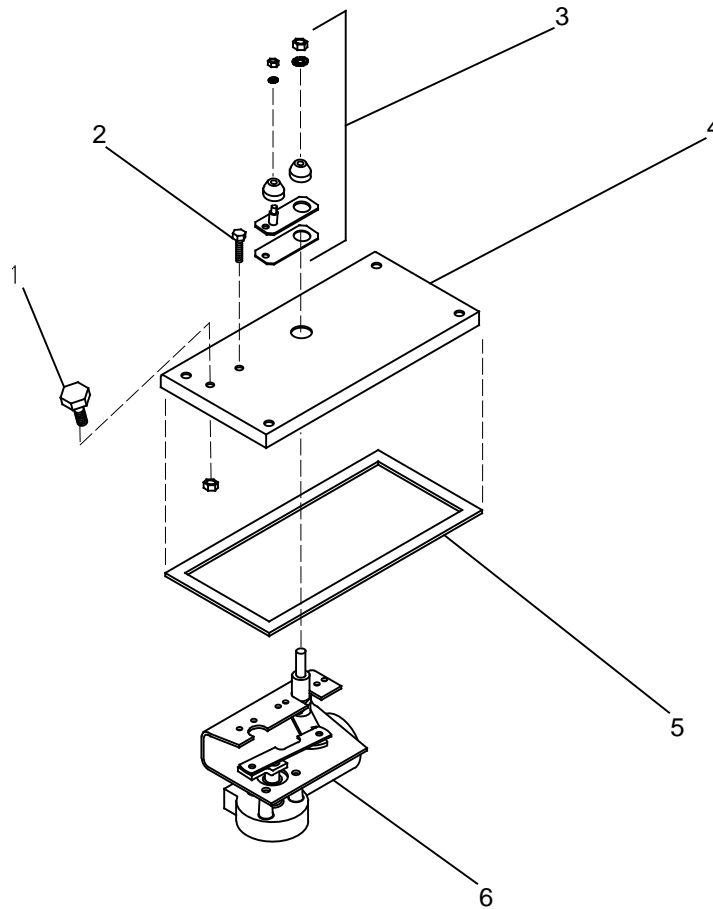
OPERATOR STATION



NOTE	REF NO	PART NUMBER	QTY	PART NAME	NOTE	REF NO	PART NUMBER	QTY	PART NAME
	1	1445632	1	PLATE-BENT					
	2	1448505	1	FOAM					

1448506 COVER GP-TRANS GEAR SELECTOR
 Part of 1450076 Control Gp-Trans Gear Selector

OPERATOR STATION



NOTE	REF NO	PART NUMBER	QTY	PART NAME	NOTE	REF NO	PART NUMBER	QTY	PART NAME
	1	1221012	1	ADAPTER-WET ARM					
	2	1426022	1	BOLT-WHIZLOCK					
	3	1426064	1	ADAPTER-WIPER					
	4	1426062	1	COVER-WIPER					
D	5	5P5969	1	SEAL					
Y	6	1477977	1	MOTOR GP-COMPACT					

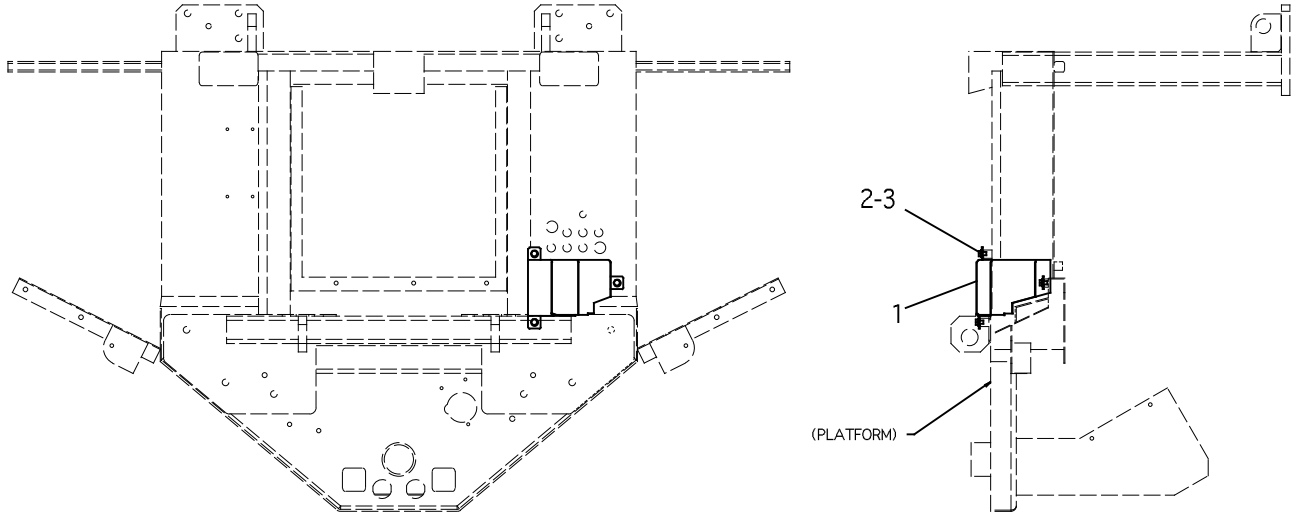
D - ORDER BY THE METER
 Y - SEPARATE ILLUSTRATION

1426037 COVER GP-WIPER MOTOR

1477977-Page 145

Part of 1450425 Cab Gp-Basic

OPERATOR STATION



BOTTOM VIEW

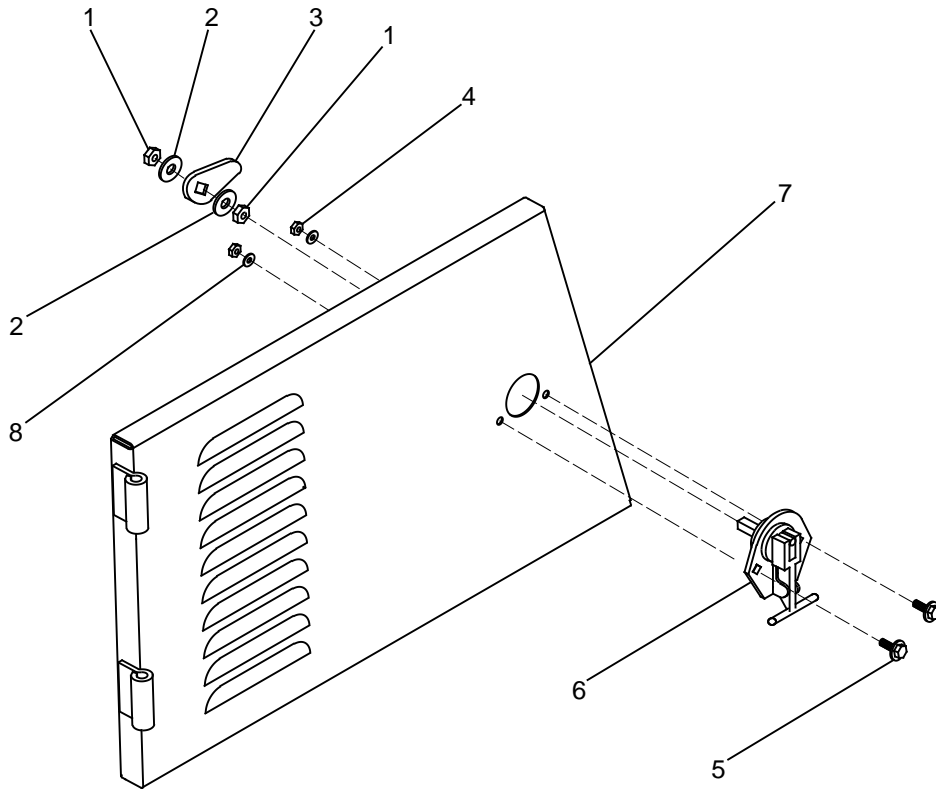
NOTE	REF NO	PART NUMBER	QTY	PART NAME	NOTE	REF NO	PART NUMBER	QTY	PART NAME
M	1	1356807	1	COVER AS					
	2	8T4121	3	WASHER-HARD					
	3	8T4191	3	BOLT (M10)					

M - METRIC PART

1425113 COVER GP-PLATFORM (ELECTRICAL)

Part of 1448601 Accessory Gp-Cab

OPERATOR STATION



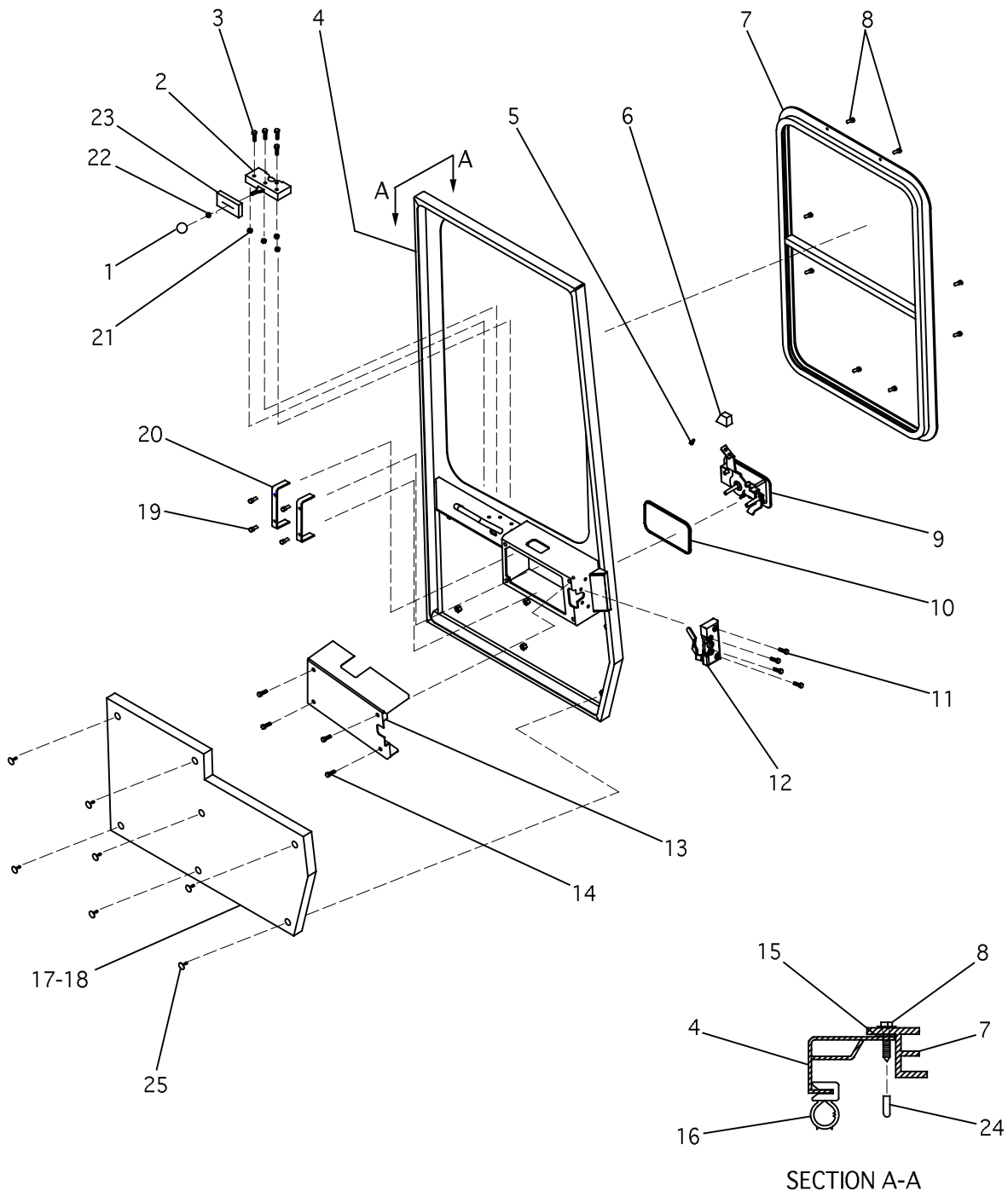
NOTE	REF NO	PART NUMBER	QTY	PART NAME	NOTE	REF NO	PART NUMBER	QTY	PART NAME
M	1	8T4133	2	NUT (M10)					
	2	7X0623	2	WASHER-HARD					
	3	1426061	1	PAWL-LATCH					
M	4	5C2890	2	NUT-HEX (M6)					
M	5	1426022	2	BOLT-WHIZLOCK (M6)					
	6	9G2778	1	LATCH-MINI					
	7	1426060	1	DOOR-ACCESS					
	8	3B4504	2	LOCKWASHER (1/4)					

M - METRIC PART

1426043 DOOR GP
Part of 1450425 Cab Gp-Basic

00

OPERATOR STATION



1426028 DOOR GP-CAB
Part of 1450425 Cab Gp-Basic

OPERATOR STATION

NOTE	REF NO	PART NUMBER	QTY	PART NAME	NOTE	REF NO	PART NUMBER	QTY	PART NAME
	1	2N7638	1	KNOB					
	2	1125345	1	LATCH AS-DOOR					
	3	1426042	4	SCREW-TORX LOCK (1/4-20)					
	4	1426070	1	DOOR					
	5	6V1322	1	BOLT (1/4-20)					
	6	8T5461	1	HANDLE-LATCH					
Y	7	1308957	1	WINDOW GP-CAB					
	8	1221045	8	SCREW (#10-16)					
	9	1317133	1	HANDLE AS-LH					
	10	8Y6386	1	SEAL-HANDLE					
M	11	8C3798	4	BOLT-LOCKING (M6)					
	12	1317115	1	LATCH AS					
	13	1426071	1	COVER-LATCH					
M	14	8T4171	4	BOLT (M6)					
	15	1426074	1	SEAL-URETHANE					
D	16	5P6410	4	SEAL					
	17	1426072	1	FOAM-DOOR					
	18	1426040	1	ADHESIVE-CONTACT					
M	19	6V4298	4	BOLT (M5)					
	20	8T4747	2	BRACKET					
	21	6V8185	4	NUT-FULL (1/4-20)					
	22	1B4427	1	NUT-JAM (1/4-20)					
	23	1426066	1	SEAL-LATCH					
	24	8Y8017	8	CAP-VINYL					
	25	1426024	7	FASTENER-FOAM					

D - ORDER BY THE METER
M - METRIC PART
Y - SEPARATE ILLUSTRATION

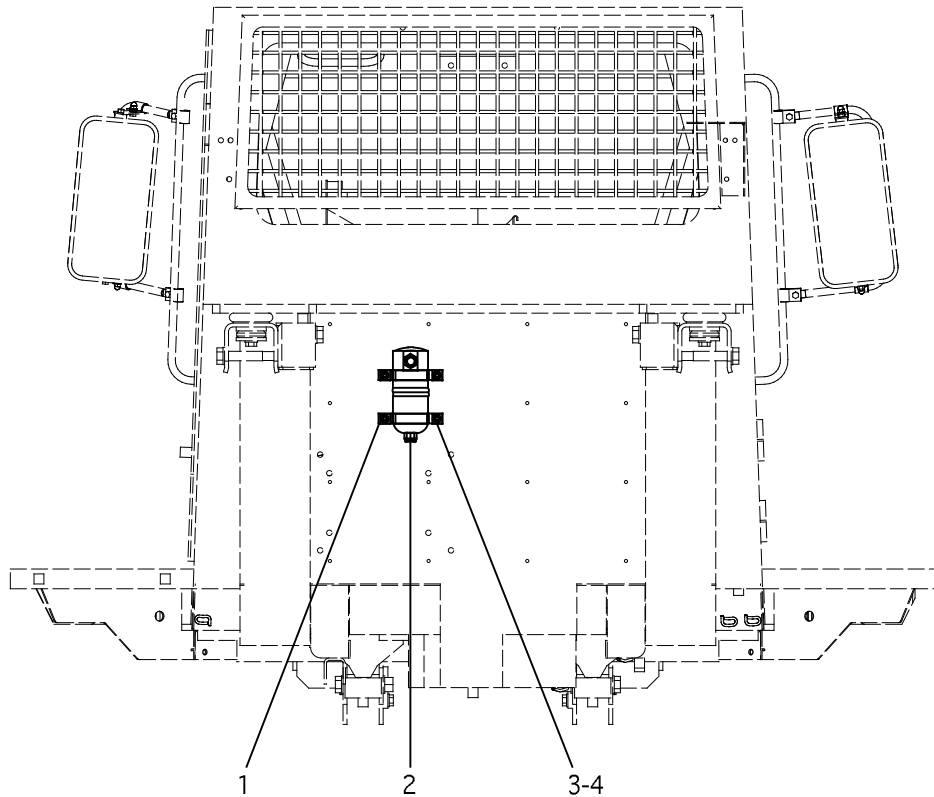
1426028 DOOR GP-CAB

1308957-Page 471

Part of 1450425 Cab Gp-Basic

00

OPERATOR STATION



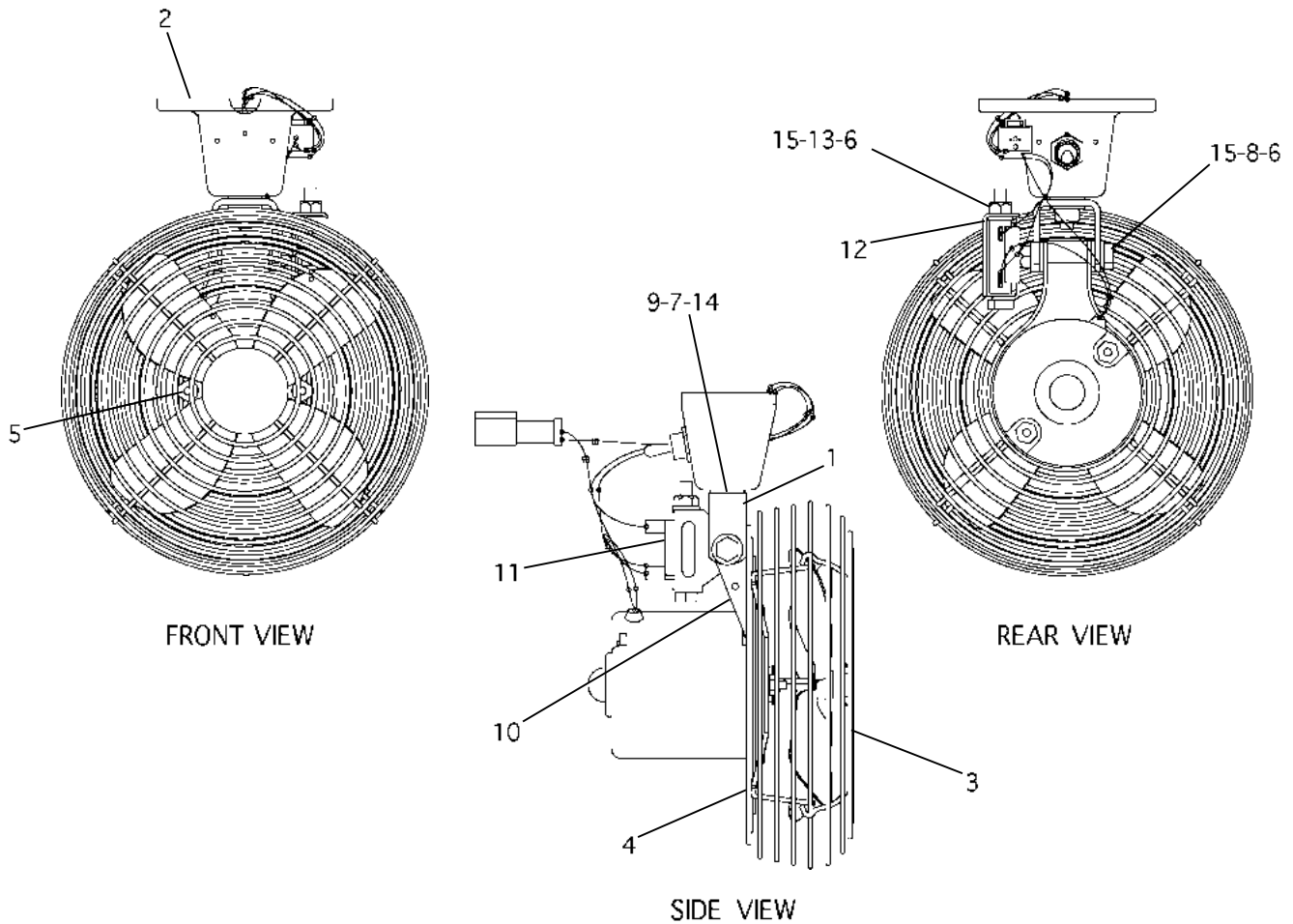
REAR VIEW OF CAB

NOTE	REF NO	PART NUMBER	QTY	PART NAME	NOTE	REF NO	PART NUMBER	QTY	PART NAME
M	1	8R3393	2	STRAP					
	2	1866190	1	ACCUMULATOR-A/C					
	3	8T4121	4	WASHER-HARD					
	4	8T4191	4	BOLT (M10)					

M - METRIC PART

1471625 DRYER GP-AIR
Part of 1249756 Lines Gp-A/C

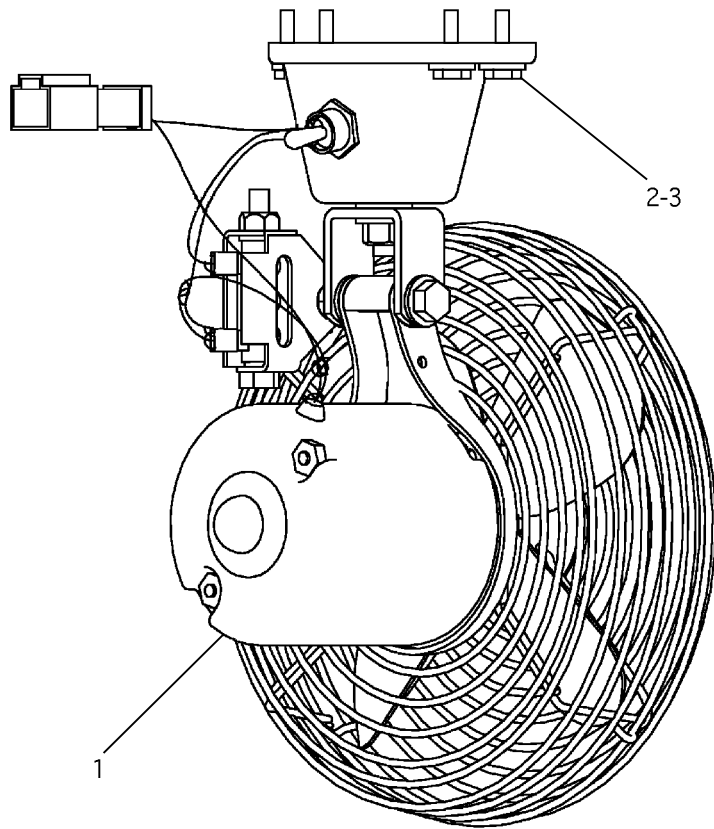
OPERATOR STATION



NOTE	REF NO	PART NUMBER	QTY	PART NAME	NOTE	REF NO	PART NUMBER	QTY	PART NAME
	1	3D8747	1	BRACKET					
	2	1536692	1	BASE-FAN					
	3	1536695	1	GUARD-FAN					
	4	1536696	1	GUARD-FAN					
	5	1M1230	2	NUT & LOCK AS					
	6	2D6235	3	LOCKNUT					
	7	3D8752	1	LOCKNUT					
	8	4B4276	5	WASHER					
	9	4B4277	2	WASHER					
	10	6G5987	1	BRACKET					
	11	6T8943	1	PLATE					
	12	6T9255	1	PLATE					
	13	6T9256	2	WASHER					
	14	7T0582	1	BOLT					
	15	8T9368	2	BOLT-HEX					
				ITEMS NOT IDENTIFIED ARE NOT SOLD SEPARATELY					

1467287 FAN GP-CIRCULATING
Part of 1518107 Accessory Gp-Cab

OPERATOR STATION

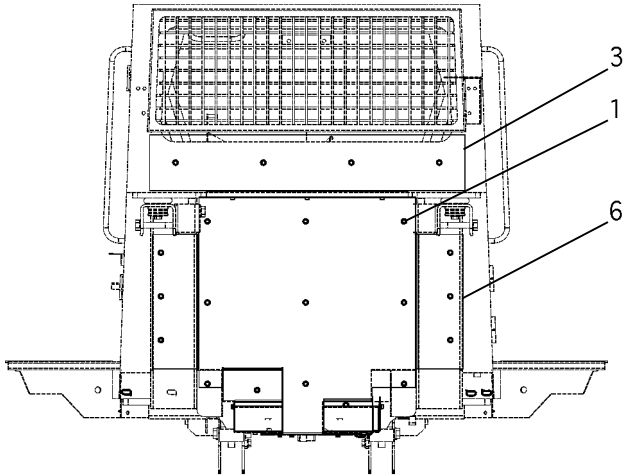


NOTE	REF NO	PART NUMBER	QTY	PART NAME	NOTE	REF NO	PART NUMBER	QTY	PART NAME
Y	1	1467287	2	FAN GP					
	2	8T4205	8	WASHER					
	3	8T4138	8	BOLT-HEX HEAD					

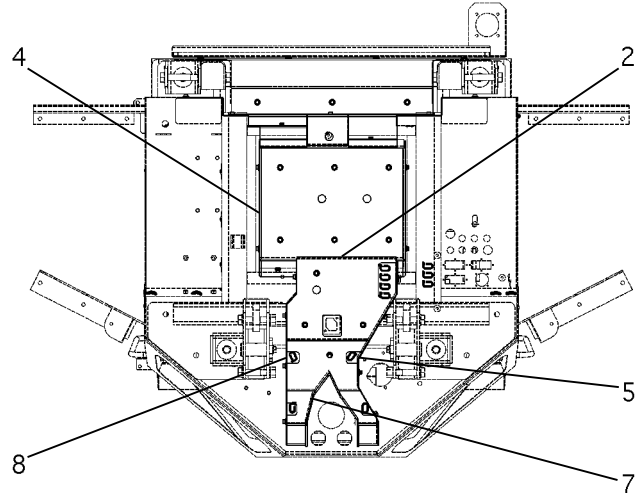
Y - SEPARATE ILLUSTRATION

1518107 FAN GP-CIRCULATING
 1467287-Page 446.01
 Part of 1448601 Accessory Gp-Cab

OPERATOR STATION



REAR VIEW OF CAB



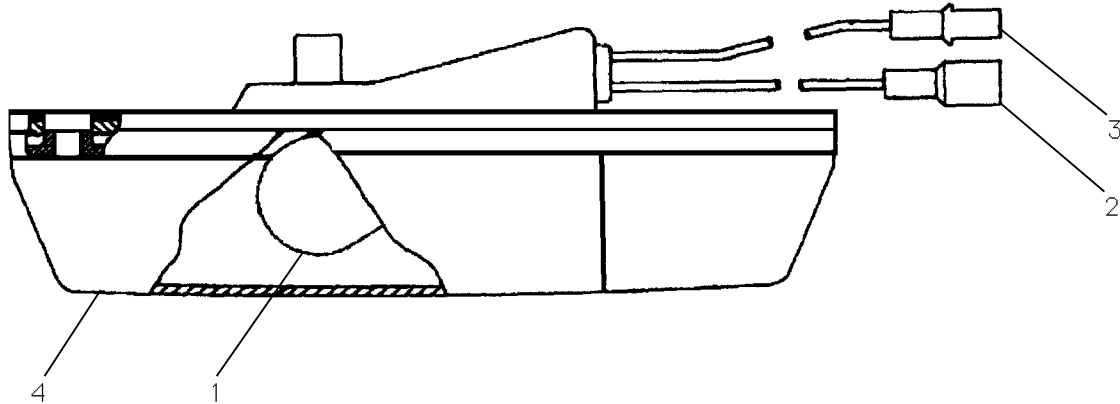
BOTTOM VIEW OF CAB

NOTE	REF NO	PART NUMBER	QTY	PART NAME	NOTE	REF NO	PART NUMBER	QTY	PART NAME
	1	6P2216	47	CAP-PUSH ON					
	2	1470587	1	INSULATION-CAB					
	3	1470588	1	INSULATION-CAB					
	4	1470589	1	INSULATION-CAB					
	5	1470590	1	INSULATION-CAB					
	6	1470591	1	INSULATION-CAB					
	7	1470592	1	INSULATION-CAB					
	8	1475516	1	INSULATION-CAB					

1513260 INSULATION GP-CAB
 Part of 1448601 Accessory Gp-Cab

00

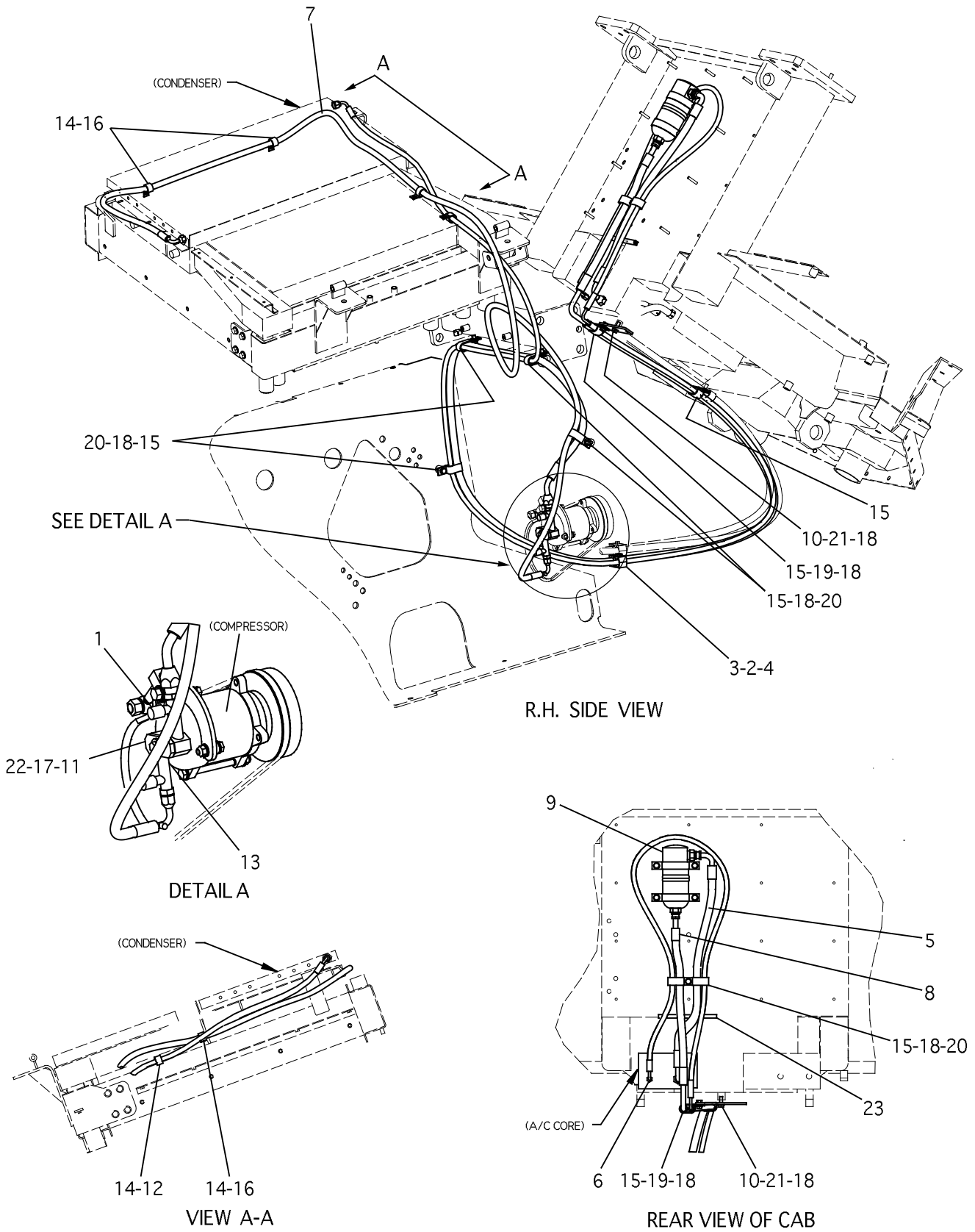
OPERATOR STATION



NOTE	REF NO	PART NUMBER	QTY	PART NAME	NOTE	REF NO	PART NUMBER	QTY	PART NAME
	1	7N9943	1	LAMP-MINIATURE					
	2	5P4571	1	TERMINAL					
	3	4S1988	1	TERMINAL					
	4	7T0020	1	LENS					

6T4864 LAMP GP-DOME
Part of 1450425 Cab Gp-Basic

OPERATOR STATION



1249756 LINES GP-A/C
Part of 1447166 Operator Ar

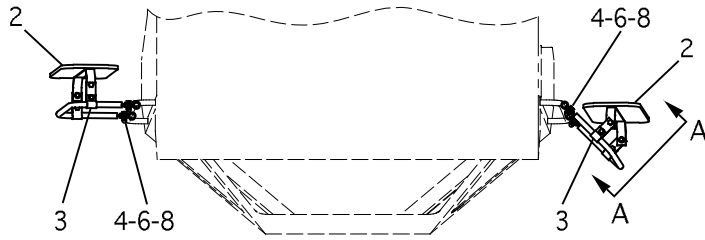
OPERATOR STATION

NOTE	REF NO	PART NUMBER	QTY	PART NAME	NOTE	REF NO	PART NUMBER	QTY	PART NAME
	1	3E4054	1	FITTING 90° (M-A/C)					
	2	6R3319	1	BOLT-STACKING					
	3	6R3340	2	CLAMP					
	4	7R7964	2	PLATE-SAFETY					
	5	1243861	1	HOSE AS					
	6	1243872	1	HOSE AS					
	7	1243888	1	HOSE AS					
	8	1248542	1	HOSE AS					
Y	9	1471625	1	DRYER GP-AIR					
	10	1599617	1	PLATE					
	11	1P6356	1	PLATE					
	12	1S0994	1	CLIP					
	13	3E4053	1	FITTING 90° (M-A/C)					
	14	5P4116	4	WASHER					
	15	5P6994	8	CLIP					
	16	7C4354	3	CLIP					
	17	8T2561	1	WASHER-HARD					
	18	8T4121	7	WASHER					
	19	8T4133	1	NUT-FULL					
M	20	8T4137	6	BOLT-HEX (M10)					
M	21	8T4136	1	BOLT-HEX (M10)					
M	22	8T6466	1	BOLT-HEX (M10)					
E	23	0918488	20	CHANNEL-TRIM					

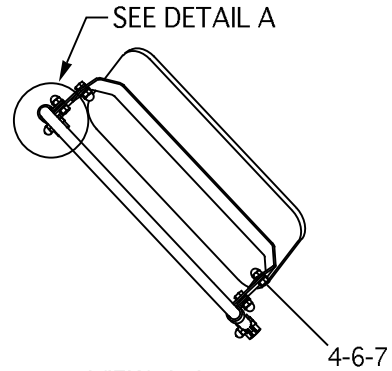
E - ORDER BY THE CENTIMETER
M - METRIC PART
Y - SEPARATE ILLUSTRATION

1249756 LINES GP-A/C
1471625-Page 446
Part of 1447166 Operator Ar

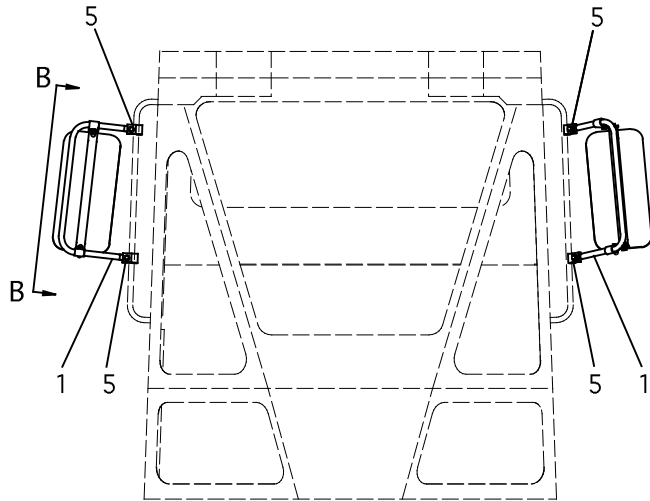
OPERATOR STATION



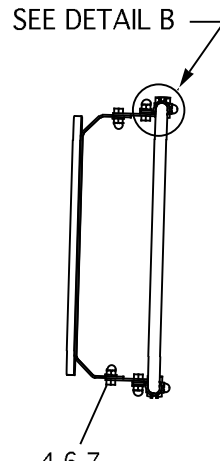
TOP VIEW



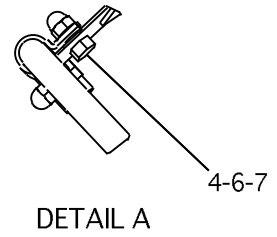
VIEW A-A



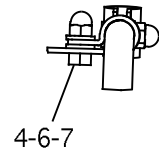
FRONT VIEW



VIEW B-B



DETAIL A

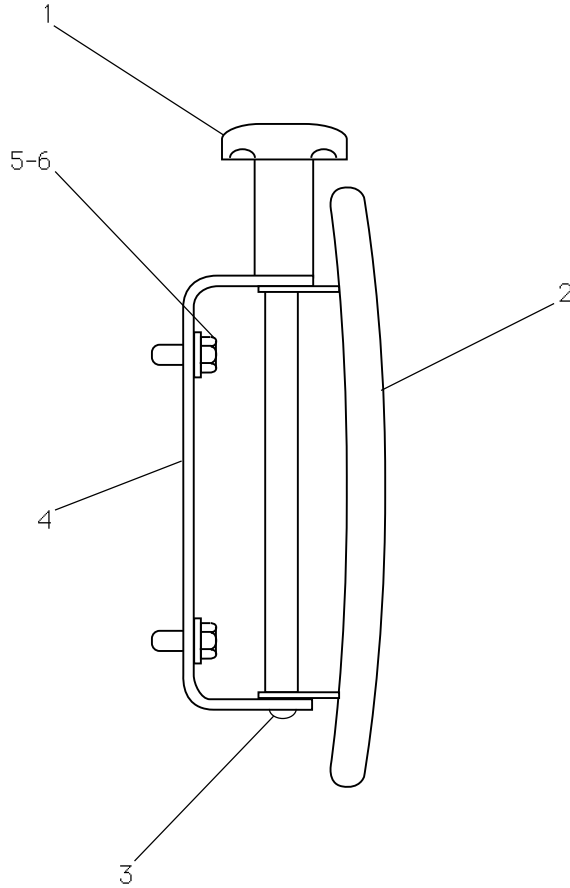


DETAIL B

NOTE	REF NO	PART NUMBER	QTY	PART NAME	NOTE	REF NO	PART NUMBER	QTY	PART NAME
	1	2G8265	2	ARM-BOW					
	2	5P6871	2	MIRROR-MOUNT					
	3	6G8831	4	CLAMP					
	4	8H1728	12	NUT-ACORN (3/8-16)					
	5	8T1760	4	CLIP-MIRROR MOUNT					
	6	5M2894	16	WASHER-HARD					
	7	5M3062	8	BOLT (3/8-16)					
	8	8T2502	4	BOLT (3/8-16)					

1265853 MIRROR GP-SIDE
Part of 1447166 Operator Ar

OPERATOR STATION

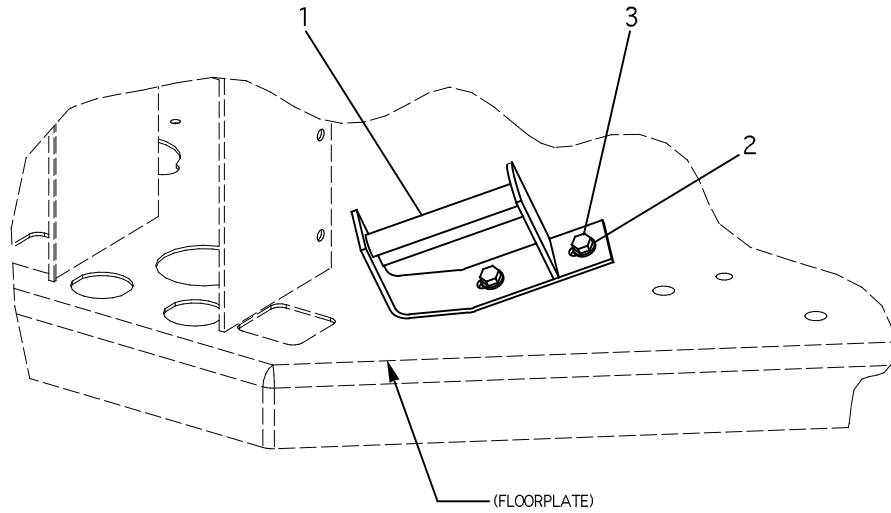


NOTE	REF NO	PART NUMBER	QTY	PART NAME	NOTE	REF NO	PART NUMBER	QTY	PART NAME
	1	9P9388	1	KNOB					
	2	5P6874	1	MIRROR					
	3	5K9179	1	BOLT-ROUND HEAD					
	4	9P9390	1	BRACKET					
	5	5S7379	2	BOLT					
	6	5P1075	2	WASHER-HARD					

9P9392 MIRROR GP-CONVEX

Part of 1447166 Operator Ar

OPERATOR STATION



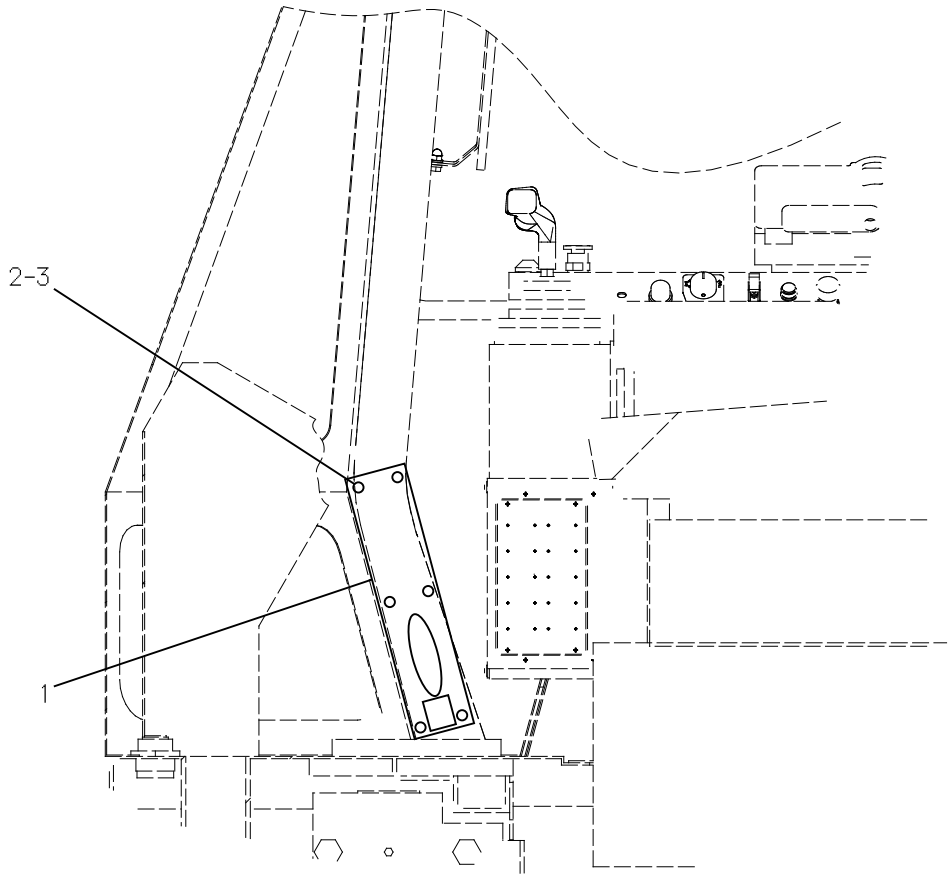
NOTE	REF NO	PART NUMBER	QTY	PART NAME	NOTE	REF NO	PART NUMBER	QTY	PART NAME
M	1	8G7898	1	SUPPORT AS					
		8S7941	1	PIPE					
	2	8T4121	2	WASHER					
	3	8T4195	2	BOLT-HEX (M10)					

M - METRIC PART

1258819 MOUNTING GP-BRACKET (FOOT REST)

Part of 1448601 Accessory Gp-Cab

OPERATOR STATION



L.H. SIDE VIEW

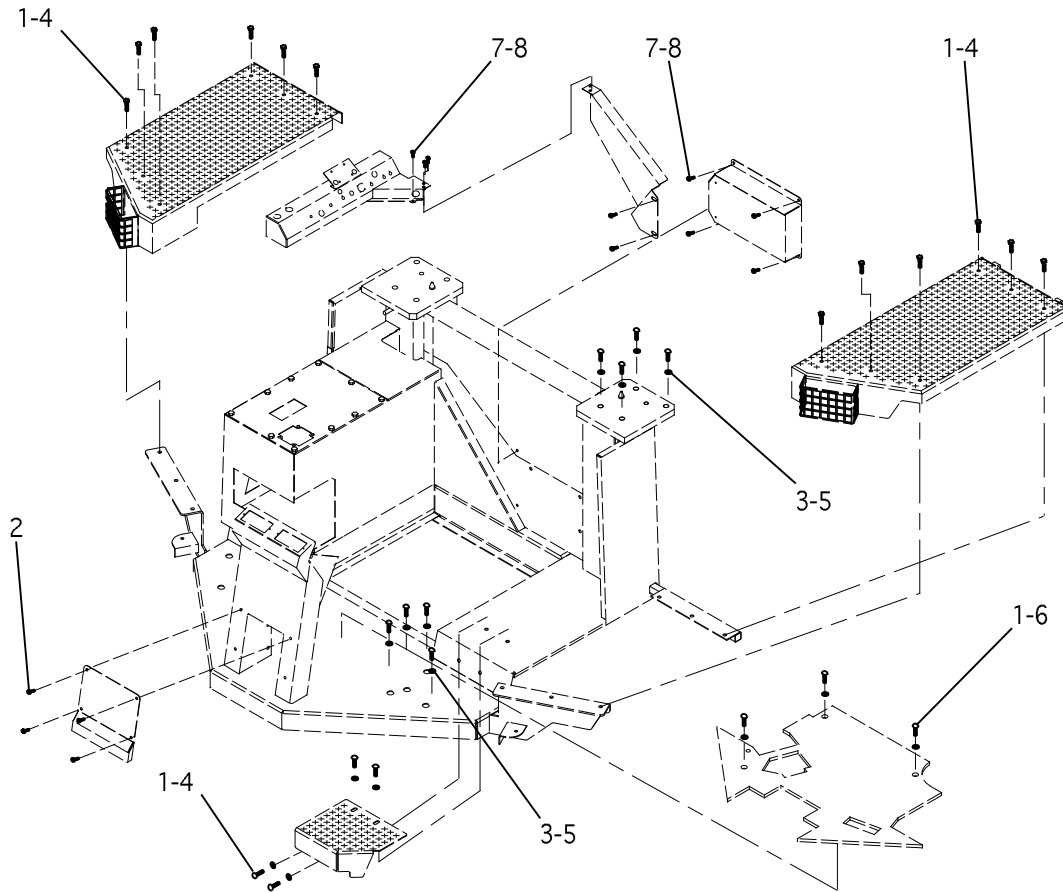
NOTE	REF NO	PART NUMBER	QTY	PART NAME	NOTE	REF NO	PART NUMBER	QTY	PART NAME
M	1	1209071	1	BRACKET					
	2	8T4171	4	BOLT (M6)					
	3	8T4205	4	WASHER-HARD					

M - METRIC PART

1448532 MOUNTING GP-BRACKET (RIFLE)

Part of 1448601 Accessory Gp-Cab

OPERATOR STATION



LOWER CAB ASSEMBLY

NOTE	REF NO	PART NUMBER	QTY	PART NAME	NOTE	REF NO	PART NUMBER	QTY	PART NAME
M	1	8T4136	19	BOLT (M10)					
M	2	8T3991	4	SCREW-BUTTON HEAD (M6)					
M	3	8T4141	16	BOLT (M20)					
	4	7X7729	16	WASHER					
	5	8T4123	16	WASHER-HARD					
	6	8T4222	3	WASHER-PLATED					
M	7	5C9553	9	BOLT (M6)					
	8	5P4115	9	WASHER					

M - METRIC PART

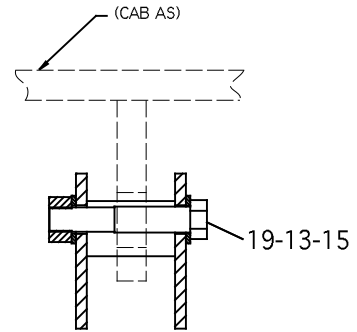
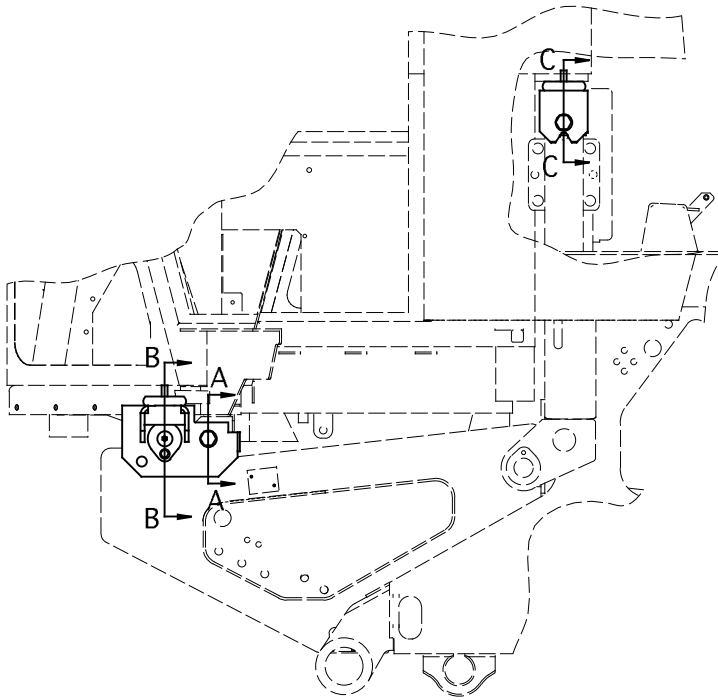
1567756 MOUNTING GP-CAB

Part of 1447166 Operator Ar

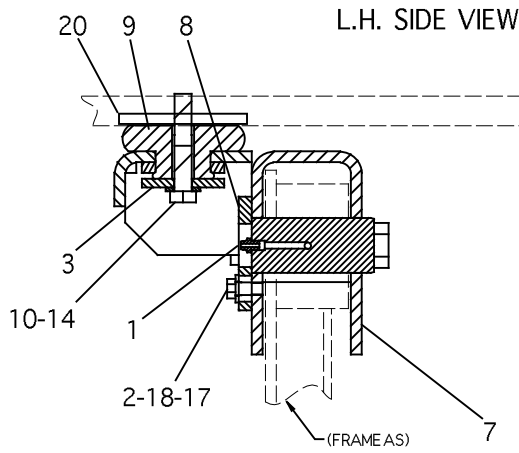
NOTES

A large, empty rectangular box with a black border, intended for handwritten notes.

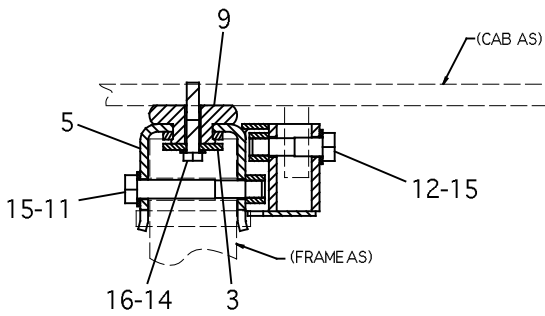
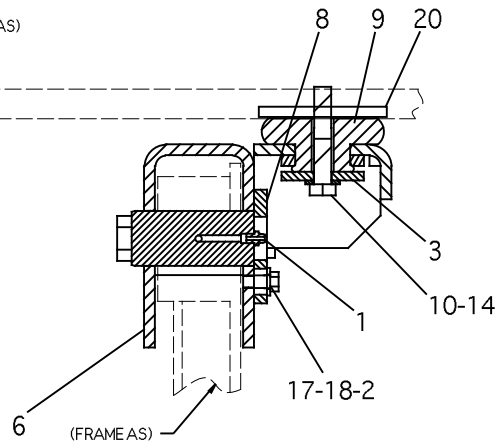
OPERATOR STATION



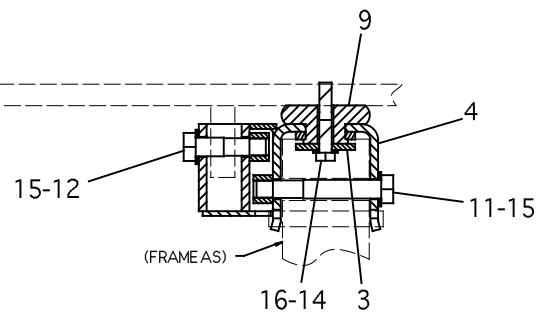
SECTION A-A
L.H. SIDE SHOWN



SECTION B-B



SECTION C-C



1437782 MOUNTING GP-PLATFORM (CAB)

Part of 1447166 Operator Ar

OPERATOR STATION

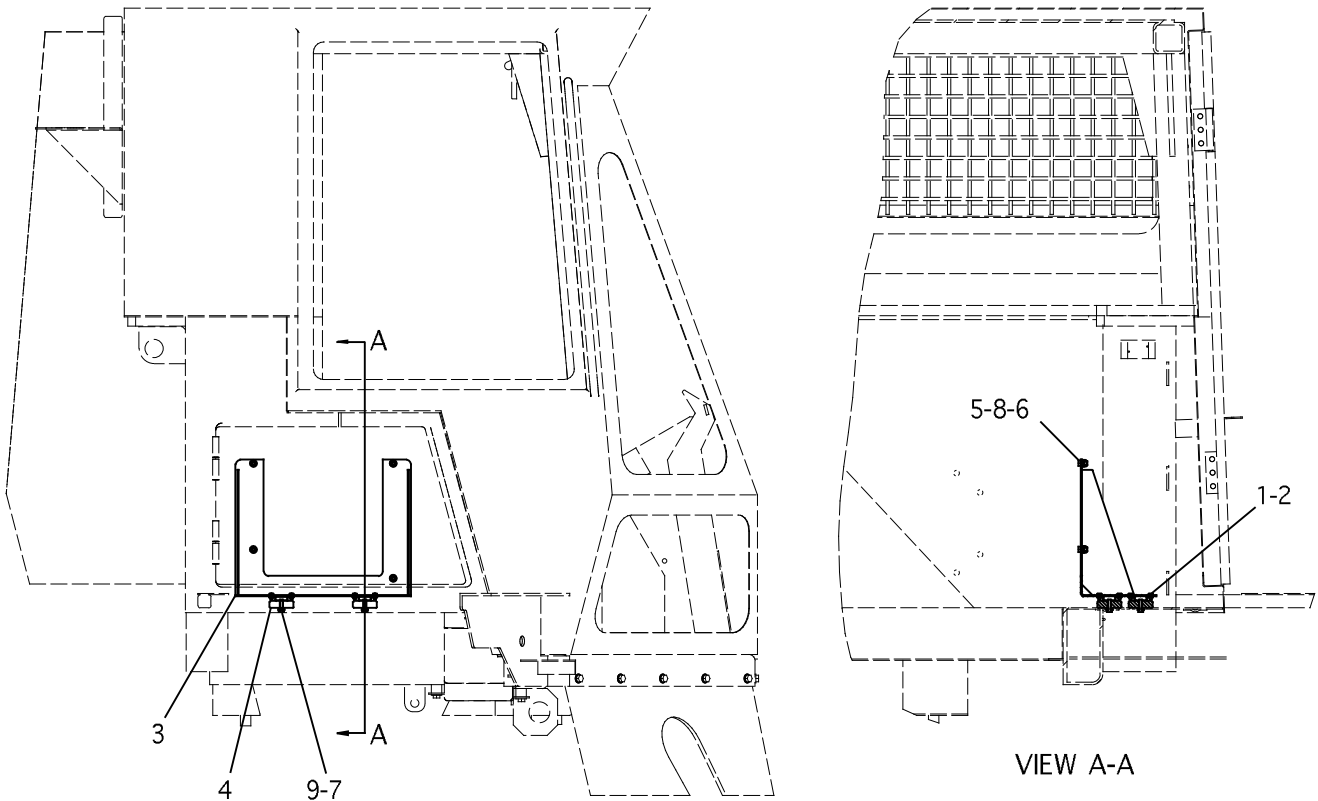
NOTE	REF NO	PART NUMBER	QTY	PART NAME	NOTE	REF NO	PART NUMBER	QTY	PART NAME
	1	3B8489	2	FITTING (GREASE)					
	2	8Y7386	2	SPACER					
	3	1302785	4	WASHER					
	4	1432208	1	MOUNT AS					
	5	1432209	1	MOUNT AS					
	6	1432210	1	PIVOT AS					
	7	1432211	1	PIVOT AS					
		5F2101	1	PLATE					
	8	1583537	2	PIN AS					
	9	1440133	4	MOUNT AS					
	10	7X2556	2	BOLT					
M	11	7X2567	2	BOLT (M24)					
M	12	7X2577	2	BOLT (M24)					
	13	6V7676	2	LOCKNUT					
	14	8T4122	6	WASHER-HARD					
	15	8T4167	8	WASHER-HARD					
M	16	8T4175	2	BOLT (M16)					
	17	8T4139	2	BOLT-HEX HEAD					
	18	8T4223	2	WASHER-HARD					
	19	8T4649	2	BOLT-HEX HEAD					
	20	8E6817	2	SPACER					

M - METRIC PART

1437782 MOUNTING GP-PLATFORM (CAB)

Part of 1447166 Operator Ar

OPERATOR STATION



NOTE	REF NO	PART NUMBER	QTY	PART NAME	NOTE	REF NO	PART NUMBER	QTY	PART NAME
M	1	8T0337	16	SCREW-MACHINE (M4)					
	2	0966166	16	WASHER-HARD					
	3	1444002	1	SUPPORT AS					
	4	1451004	4	MOUNT-ISLN					
M	5	6V9189	4	LOCKNUT (M8)					
M	6	8T4200	4	BOLT (M8)					
	7	8T4205	4	WASHER-HARD					
	8	8T4224	4	WASHER-HARD					
	9	8T8908	4	BOLT (1/4)					

M - METRIC PART

1445420 MOUNTING GP-RADIO

Part of 1448601 Accessory Gp-Cab

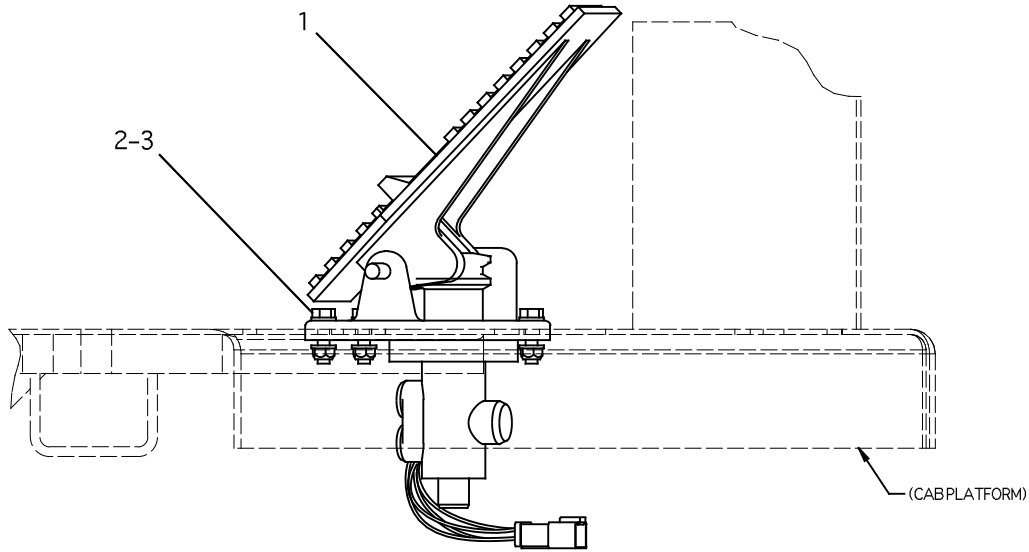
00

OPERATOR STATION

1	1448601	ACCESSORY GP-CAB	417
1	1450425	CAB GP-BASIC	420
1	1450075	CONSOLE GP-INSTRUMENT	430
1	1265842	CONSOLE GP-OPERATOR.....	432
1	1324498	CONTROL GP-BLADE.....	434
1	1450076	CONTROL GP-TRANSMISSION	191
1	1416655	CONTROL GP & MTG (EPTC)	134
1	1450426	CONTROL GP-STEERING	438
1	1249756	LINES GP-A/C	450
1	1243860	LINES GP-HEATER	70
1	9P9392	MIRROR GP-CONVEX	453
1	1265853	MIRROR GP-SIDE	452
1	1567756	MOUNTING GP-CAB	456
1	1437782	MOUNTING GP-PLATFORM (CAB) ..	458
1	1265851	PEDAL GP-BRAKE	462
1	1601689	PEDAL GP-GOVERNOR	463
1	1591569	SEAT GP-SUSPENSION	466
1	1265856	TOOL GP	479

1447166 OPERATOR AR
Part of 1447162 General Ar

OPERATOR STATION



NOTE	REF NO	PART NUMBER	QTY	PART NAME	NOTE	REF NO	PART NUMBER	QTY	PART NAME
Y	1	1302969	1	VALVE GP-BRAKE					
	2	8T4224	3	WASHER					
M	3	8T7547	3	BOLT-HEX (M8)					

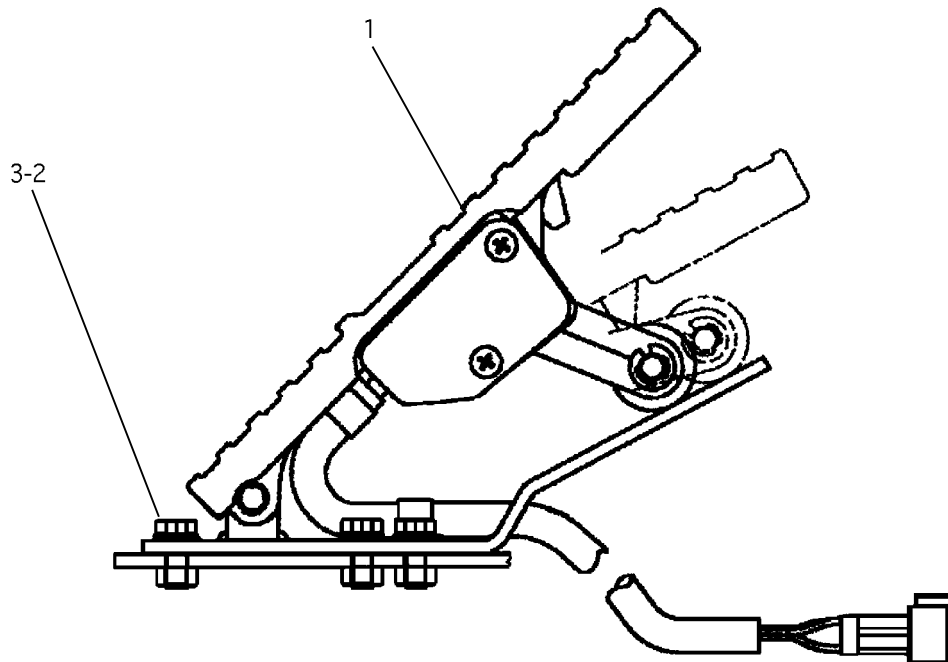
M - METRIC PART
Y - SEPARATE ILLUSTRATION

1265851 PEDAL GP-BRAKE

1302969-Page 470

Part of 1447166 Operator Ar

OPERATOR STATION



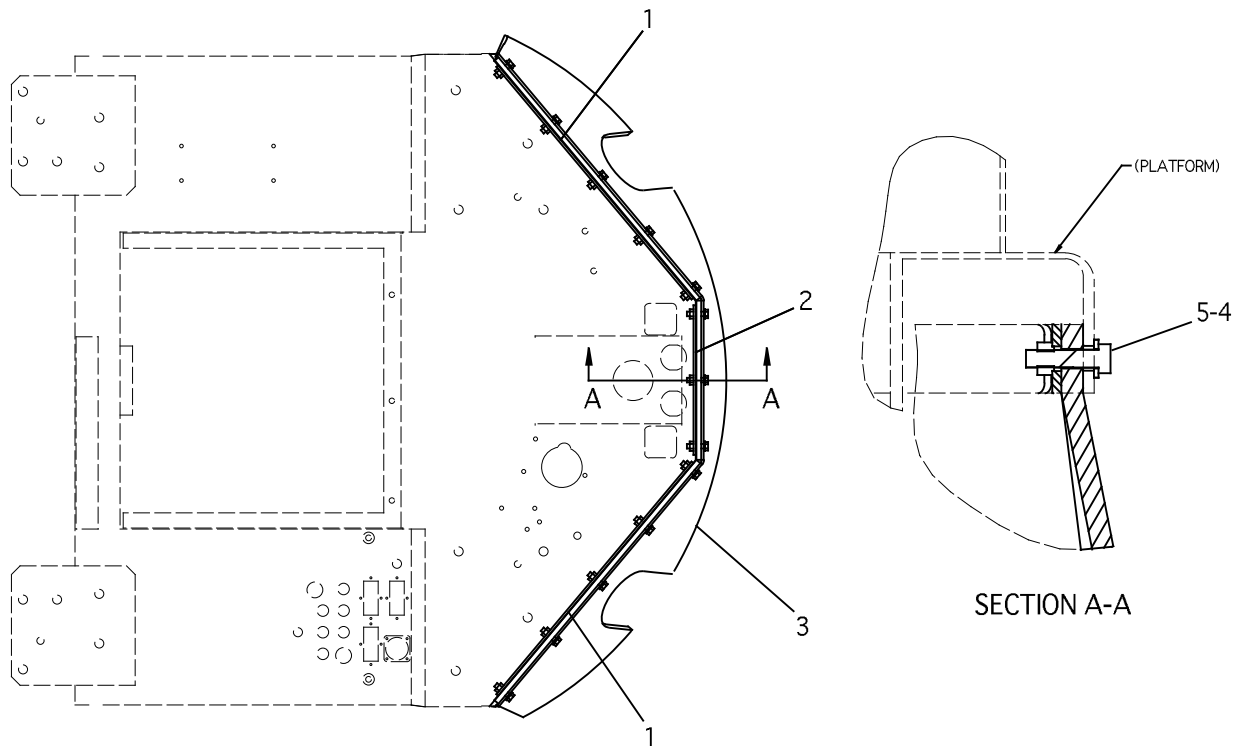
NOTE	REF NO	PART NUMBER	QTY	PART NAME	NOTE	REF NO	PART NUMBER	QTY	PART NAME
	1	1134799	1	PEDAL AS				1	SPRING (VERSION 1)
		3E7700	1	CONTROL GP			1402963	2	SCREW (#10-32)
		8T8729	3	PIN CONNECTOR			1606354	1	PLATE AS
		1028803	1	RECEPTACLE KIT			1606365	2	SCREW (#8-32)
		3E3370	1	RECEPTACLE AS			1606366	2	CLIP
		3E3371	1	WEDGE-LOCK	M	2	8T4189	3	BOLT (M8)
		1761602	1	SENSOR GP-POSITION		3	8T4224	3	WASHER-HARD
		1239431	1	COVER					
		1402961	1	KIT-ROLLER					
			2	SNAP RING					
			1	ROLLER					
			1	ROLLER PIN					
		1402962	1	KIT-TREADLE PIN					
			2	SNAP RING					
			4	BUSHING (WIDE)					
			2	BUSHING (NARROW)					
			1	PIN (1 RING GROOVE)					
			1	PIN (2 RING GROOVES)					
			1	SPRING (45°)					
			1	SPRING (35°)					
			1	SPRING (28°)					

M - METRIC PART

1601689 PEDAL GP-GOVERNOR

Part of 1447166 Operator Ar

OPERATOR STATION



TOP VIEW

SECTION A-A

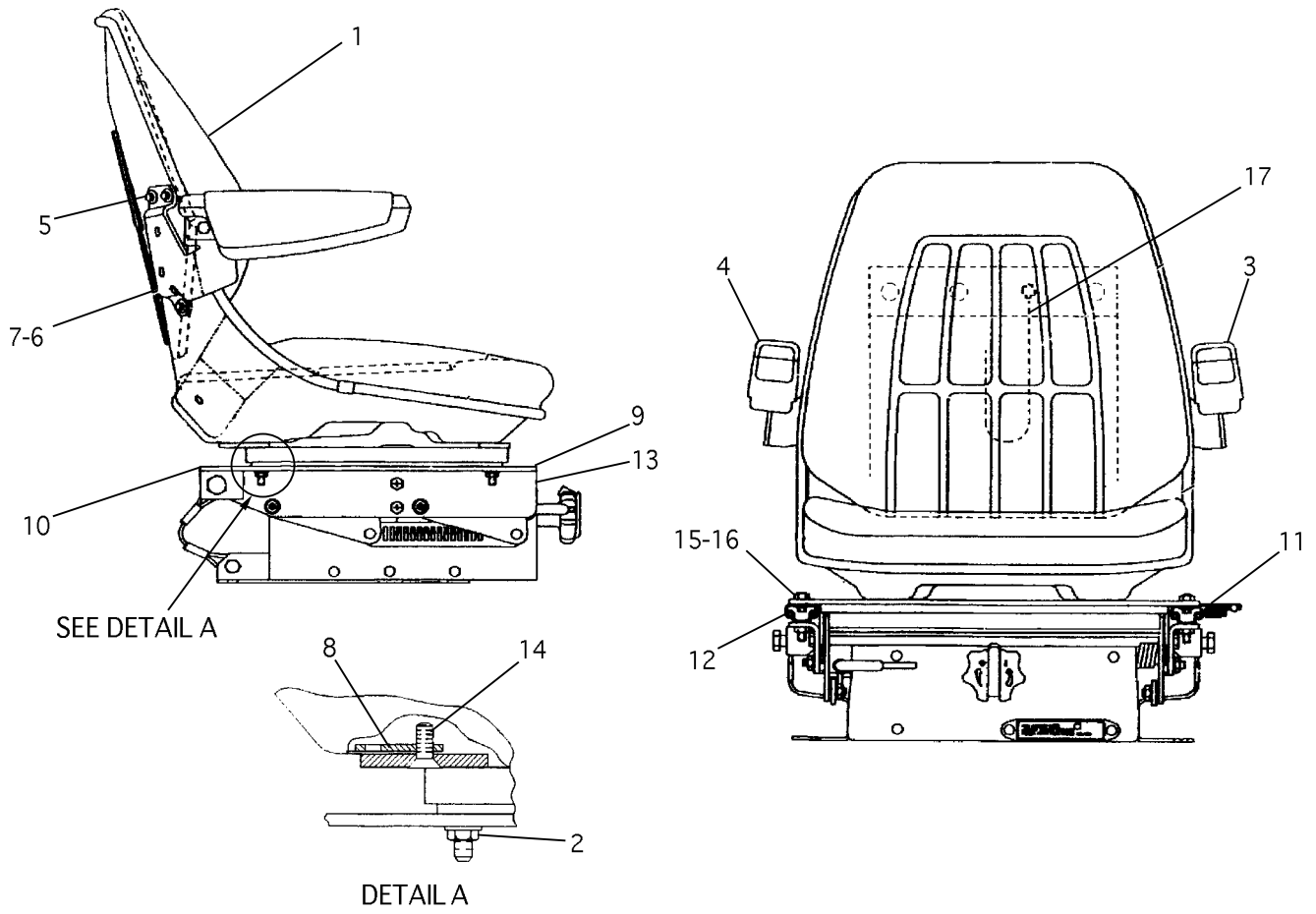
NOTE	REF NO	PART NUMBER	QTY	PART NAME	NOTE	REF NO	PART NUMBER	QTY	PART NAME
M	1	1355193	2	MOUNT AS					
		8T3490	5	NUT-WELD					
	2	1355194	1	MOUNT AS					
	3	1355195	1	DEFLECTOR					
	4	8T4121	13	WASHER-HARD					
	5	8T4186	13	BOLT (M10)					

M - METRIC PART

1425110 PROTECTOR GP (CAB FRONT)

Part of 1448601 Accessory Gp-Cab

OPERATOR STATION



NOTE	REF NO	PART NUMBER	QTY	PART NAME	NOTE	REF NO	PART NUMBER	QTY	PART NAME
	1	1694059	1	SEAT-W/CUSHIONS					
	2	9L9814	4	LOCKNUT					
	3	1162116	1	ARM AS-LH					
	4	1162117	1	ARM AS-RH					
	5	4M0061	6	BOLT (5/16-18)					
	6	0970838	1	HOLDER-LITERATURE					
	7	1162118	6	CLIP					
	8	5B6172	4	WASHER					
	9	1170021	1	BAR					
	10	1162119	1	BAR					
	11	1162120	1	ADJUSTER					
	12	6W1884	1	ADJUSTER AS					
Y	13	1159962	1	SUSPENSION GP-SEAT					
	14	9X8277	4	SCREW-HEX SOCKET					
	15	1162121	4	BOLT					
	16	0334843	4	NUT					
	17	5P7957	1	LANYARD					

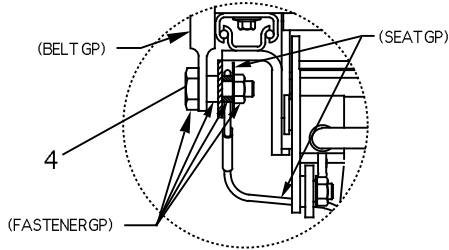
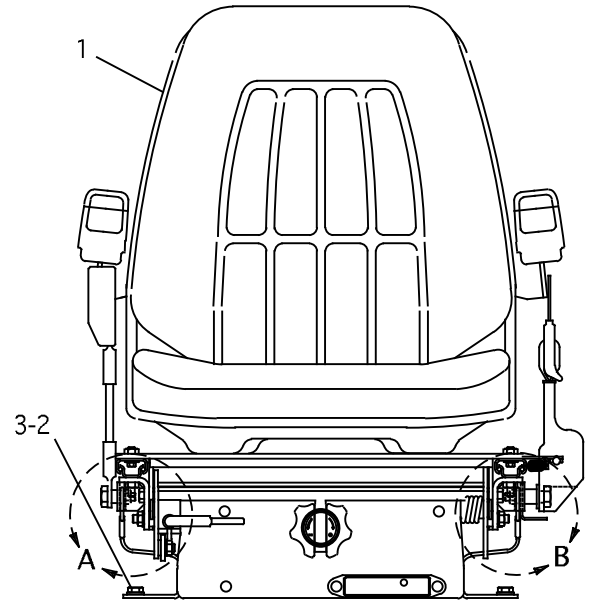
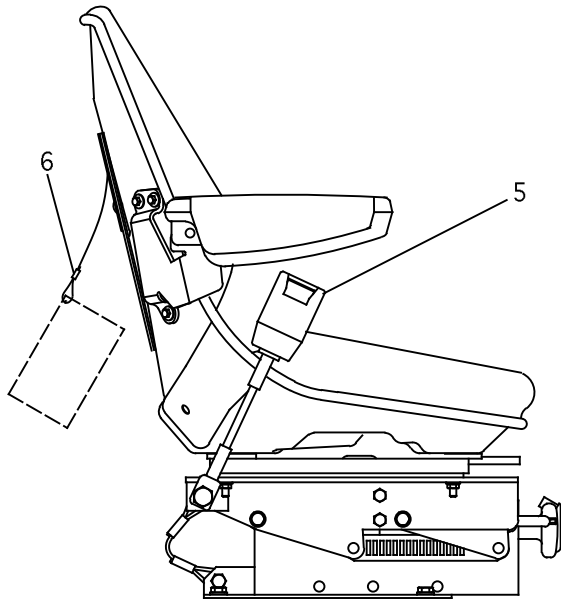
Y - SEPARATE ILLUSTRATION

1022423 SEAT GP-SUSPENSION

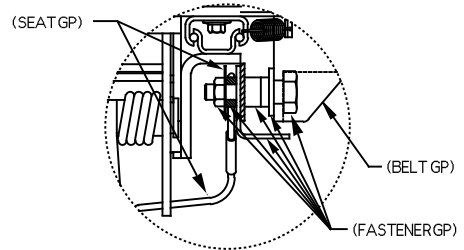
1159962-Page 469

Part of 1591569 Seat Gp-Suspension

OPERATOR STATION



DETAIL A



DETAIL B

NOTE	REF NO	PART NUMBER	QTY	PART NAME	NOTE	REF NO	PART NUMBER	QTY	PART NAME
Y	1	1022423	1	SEAT GP-SUSPENSION					
	2	8T4121	4	WASHER-HARD					
M	3	8T4133	4	NUT (M10)					
	4	1089397	1	FASTENER KIT					
			1	BOLT-HEX HEAD (38 MM LG)					
			4	SPACER (7.1 MM LG)					
			2	LOCKNUT					
			1	SPACER (3.8 MM LG)					
			1	WASHER					
			1	BOLT-SHOULDER (50 MM LG)					
			1	L-BRACKET					
	5	1087829	1	BELT GP-SEAT					
	6	5P7958	1	SLEEVE-CABLE SPLICE					

M - METRIC PART
Y - SEPARATE ILLUSTRATION

1591569 SEAT GP-SUSPENSION

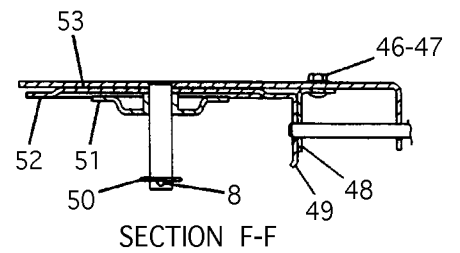
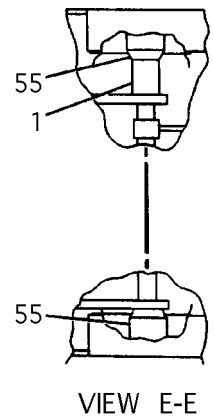
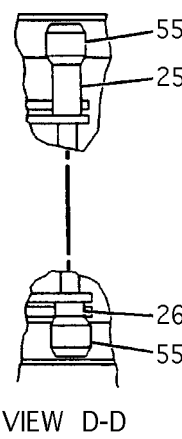
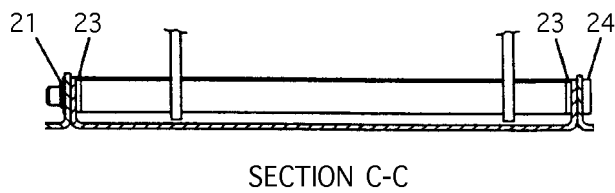
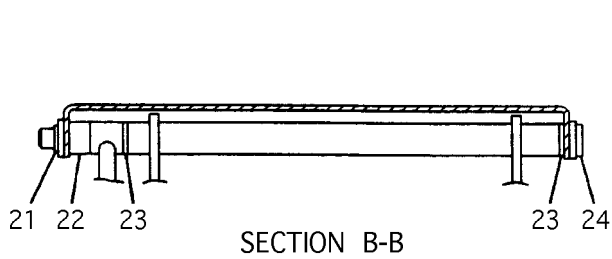
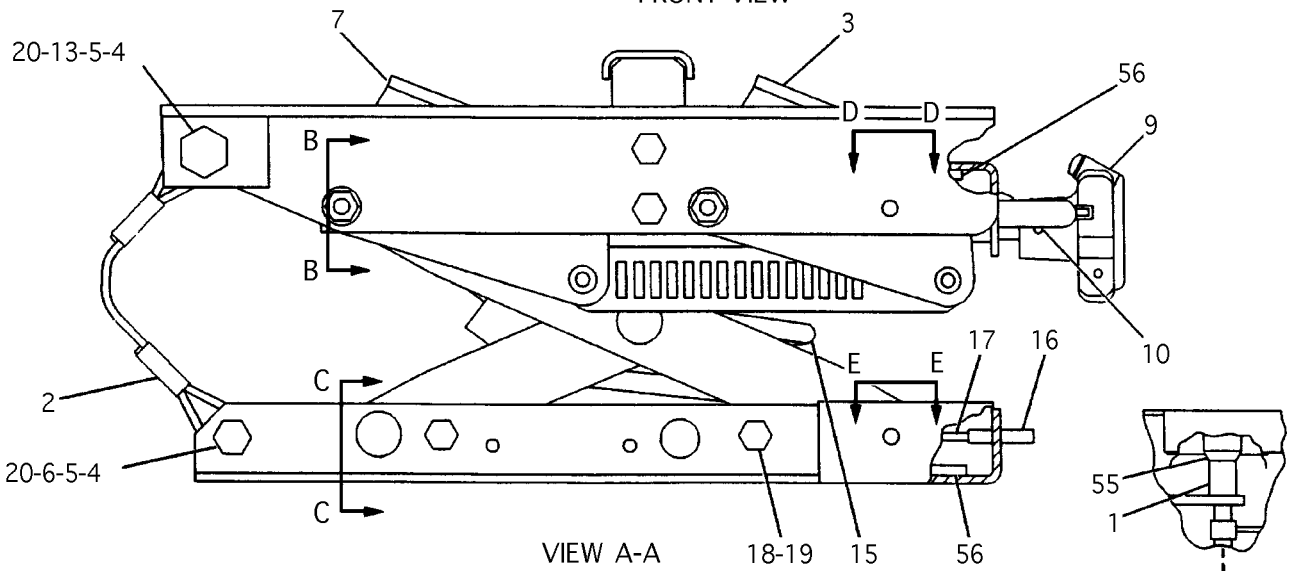
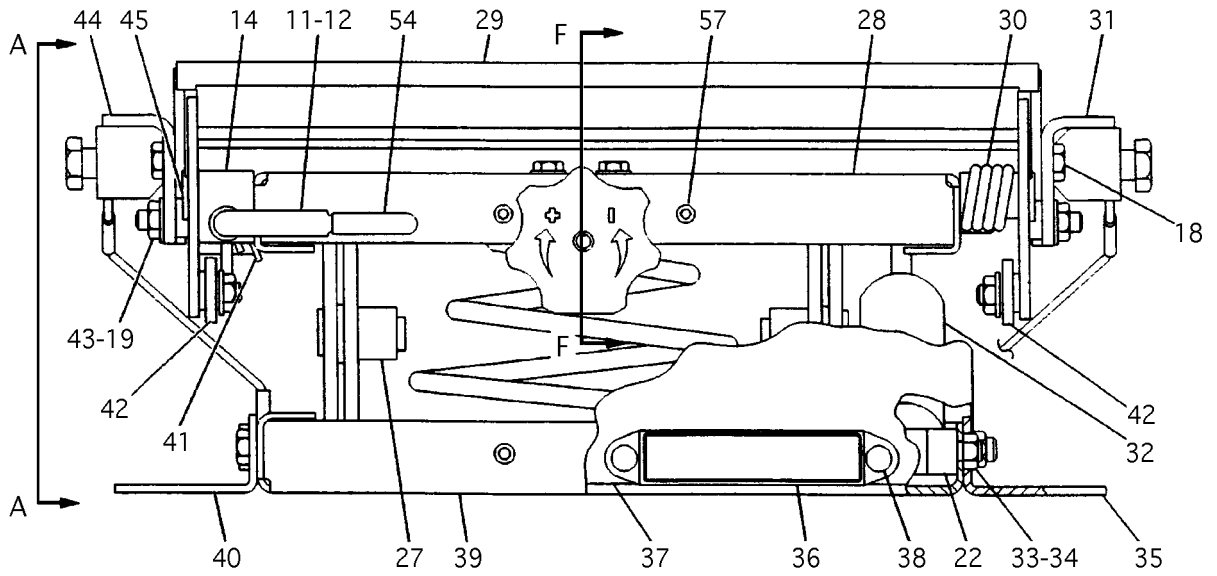
1022423-Page 465

Part of 1447166 Operator Ar

NOTES

A large, empty rectangular box with a black border, intended for handwritten notes.

OPERATOR STATION



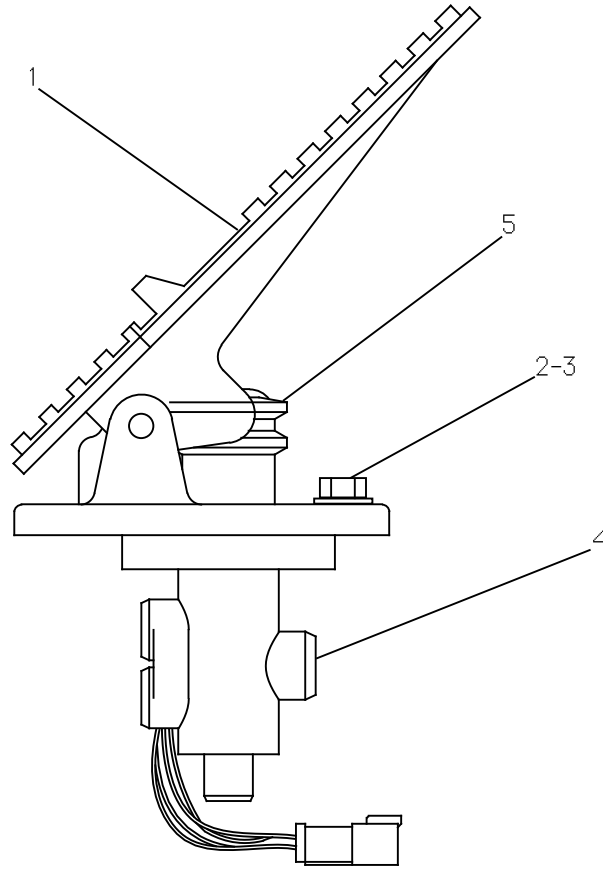
1159962 SUSPENSION GP-SEAT
Part of 1022423 Seat Gp-Suspension

OPERATOR STATION

NOTE	REF NO	PART NUMBER	QTY	PART NAME	NOTE	REF NO	PART NUMBER	QTY	PART NAME
	1	8R1884	1	SPACER		51	4V8562	1	PLATE
	2	6W1886	2	CABLE		52	4V8566	1	GEAR AS
	3	6W0108	1	LINK AS		53	4V8561	1	WASHER
	4	8S4790	4	SPACER		54	9C2177	1	CAP
	5	4B5272	4	WASHER		55	8R1883	4	ROLLER-GUIDE
	6	8T9381	2	BOLT		56	8R1876	4	PAD-ROLLER
	7	9V3043	1	LINK AS		57	6W8281	4	BUMPER
	8	3K8584	1	PIN-GROOVED					
	9	4V7872	1	KNOB AS-WEIGHT ADJUST					
		4V7873	1	KNOB					
		4V7874	1	HANDLE AS					
		4V7875	1	HANDLE					
		4V7876	1	SLEEVE					
		5V1474	1	SCREW-FORMING					
		6V3259	1	PIN-SPRING					
	10	2K9111	1	PIN-SPRING					
	11	6W0590	1	LEVER					
	12	2L5893	1	PIN-SPRING					
	13	5V5262	2	BOLT-SHOULDER (7/16-20)					
	14	4V7891	1	LATCH AS					
	15	6W8285	1	SPRING					
	16	5H3193	1	PIN-SPRING					
	17	4V8565	1	INDICATOR					
	18	5M3062	8	BOLT (3/8-16)					
	19	2K4973	12	LOCKNUT (3/8-16)					
	20	8R4519	4	LOCKNUT					
	21	5V1497	2	RETAINER					
	22	4V7884	2	BEARING					
	23	4V8577	4	BEARING					
	24	8R1879	2	SHAFT-GOVERNOR CONTROL					
	25	8R1877	1	SPACER					
	26	8R1878	1	SPACER					
	27	1162123	1	ARM					
	28	9V8178	1	HOUSING AS-UPPER					
	29	1162124	1	CHANNEL					
	30	9V7943	2	SPRING					
	31	6W1894	1	ANGLE AS (LH)					
	32	8Y3664	1	ABSORBER-SHOCK					
	33	4V8556	1	BOLT					
	34	6D0047	1	LOCKNUT					
	35	6W2914	1	ANGLE (LH)					
	36	4V7883	1	FILM					
	37	6W8296	1	BOOT					
	38	9V6754	25	FASTENER					
	39	9V8177	1	HOUSING-LOWER					
	40	6W2915	1	ANGLE (RH)					
	41	4V7890	1	SPRING					
	42	1162125	2	LINK					
	43	5B6172	8	WASHER					
	44	6W1893	1	ANGLE AS (RH)					
	45	1162126	4	BOLT					
	46	1B2693	2	BOLT-BRAKE BAND					
	47	0273924	2	LOCKNUT					
	48	4V8554	1	BRACKET					
	49	7V5190	1	GEAR AS (28 TEETH)					
	50	9T7303	1	SPACER					

1159962 SUSPENSION GP-SEAT
Part of 1022423 Seat Gp-Suspension

OPERATOR STATION

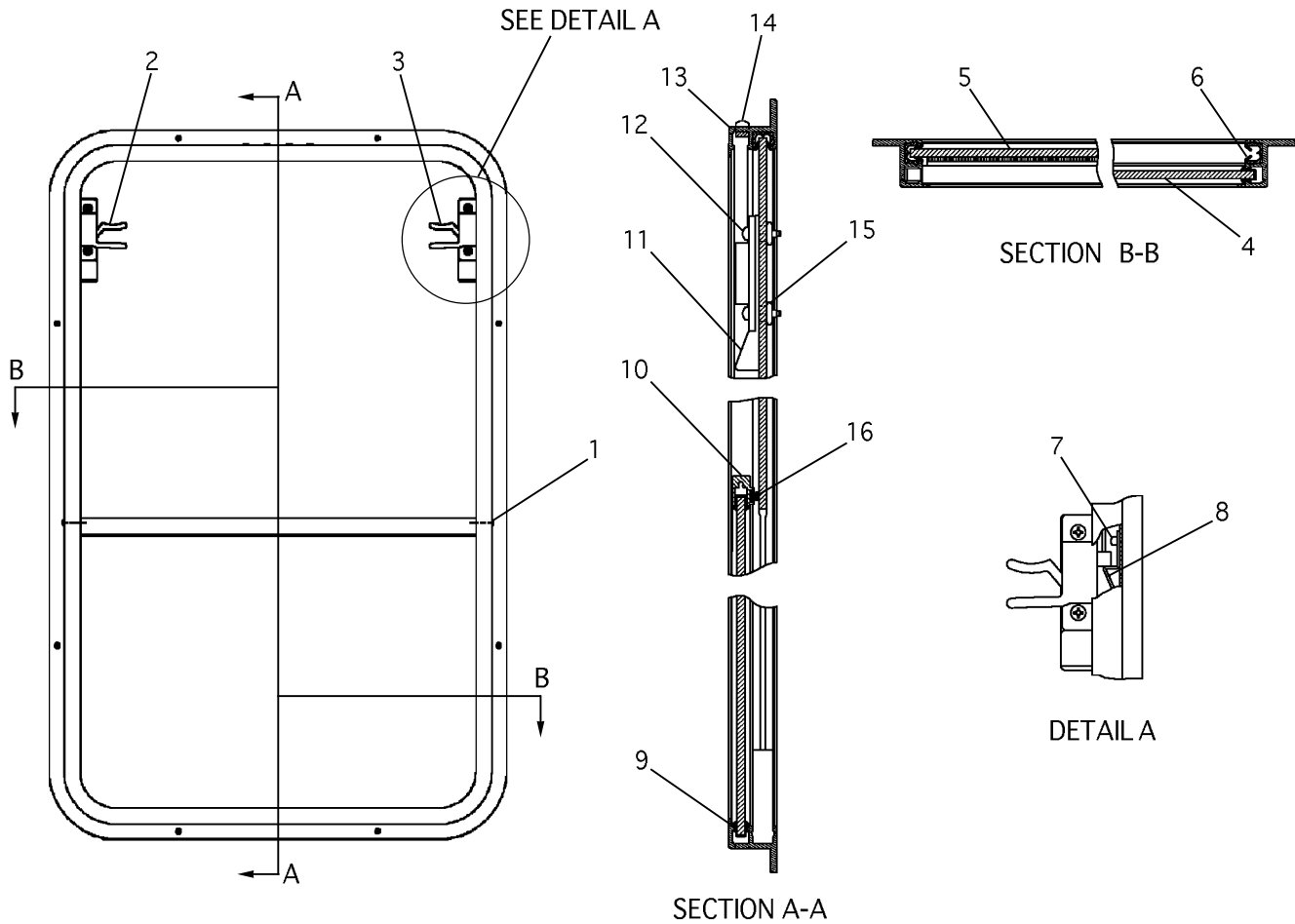


NOTE	REF NO	PART NUMBER	QTY	PART NAME	NOTE	REF NO	PART NUMBER	QTY	PART NAME
Y	1	1561698	1	BASE AS-PEDAL					
	2	0S1618	2	BOLT					
	3	8T4224	2	WASHER-HARD					
	4	1460707	1	VALVE GP-BRAKE					
F	-	1185426	1	SEAL KIT					
			1	SEAL-O-RING					
			1	U-CUP					
			1	RING-QUAD					
			1	BOOT					

F - NOT SHOWN
 Y - SEPARATE ILLUSTRATION

1302969 VALVE GP-BRAKE
 1561698-Page 418
 Part of 1265851 Pedal Gp-Brake

OPERATOR STATION



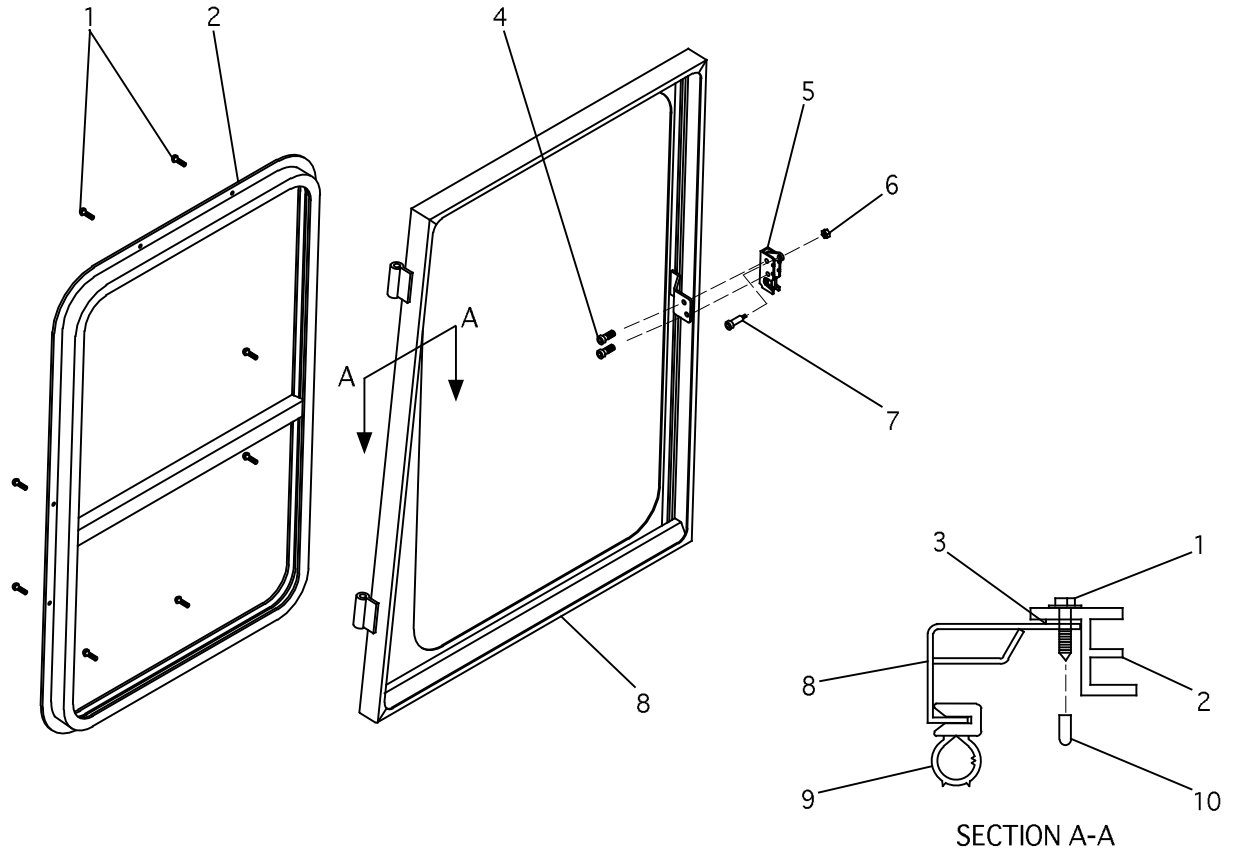
NOTE	REF NO	PART NUMBER	QTY	PART NAME	NOTE	REF NO	PART NUMBER	QTY	PART NAME
	1	8C6738	2	SCREW-PAN HEAD (#6)					
	2	4V8042	1	LOCK-LH					
	3	4V8037	1	LOCK-RH					
	4	1378677	1	GLASS-FIXED					
	5	1378676	1	GLASS-SLIDING					
E	6	8Y6980	193	STRIP					
	7	8B4338	10	SCREW-TAPPING (#6)					
	8	1378679	2	STRIP					
E	9	8Y6982	166	SEAL					
	10	1378678	1	POST					
	11	8Y6983	2	PLATE					
	12	6V7978	4	SCREW-MACHINE (#10)					
	13	4V8046	1	PLATE					
	14	2F7306	4	SCREW-MACHINE (#6)					
	15	1045958	4	NUT (#10)					
E	16	8Y6981	51	SEAL					

E - ORDER BY THE CENTIMETER

1308957 WINDOW GP-CAB

Part of 1426027 Window Gp-Cab and 1426028 Door Gp-Cab

OPERATOR STATION



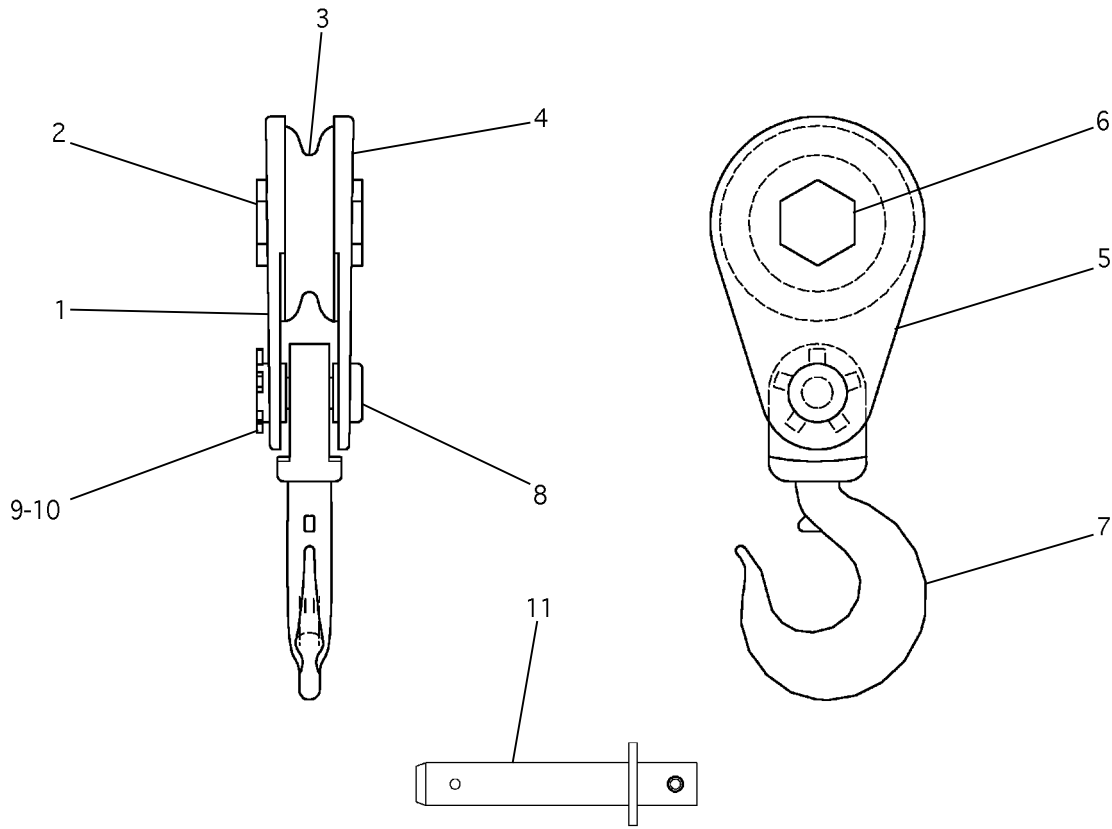
NOTE	REF NO	PART NUMBER	QTY	PART NAME	NOTE	REF NO	PART NUMBER	QTY	PART NAME
	1	1221045	8	SCREW					
Y	2	1308957	1	WINDOW GP-CAB					
	3	1426074	1	SEAL-URETHANE					
	4	8T9364	2	BOLT					
	5	1426076	1	LATCH-ROTARY					
	6	2D6235	1	LOCKNUT					
	7	1426078	1	BOLT-SHOULDER					
	8	1426077	1	FRAME-WINDOW (RH)					
D	9	5P6410	4	SEAL					
	10	8Y8017	8	CAP-VINYL					

D - ORDER BY THE METER
 Y - SEPARATE ILLUSTRATION

1426027 WINDOW GP-CAB
 1308957-Page 471
 Part of 1450425 Cab Gp-Basic

00

SERVICE EQUIPMENT AND SUPPLIES

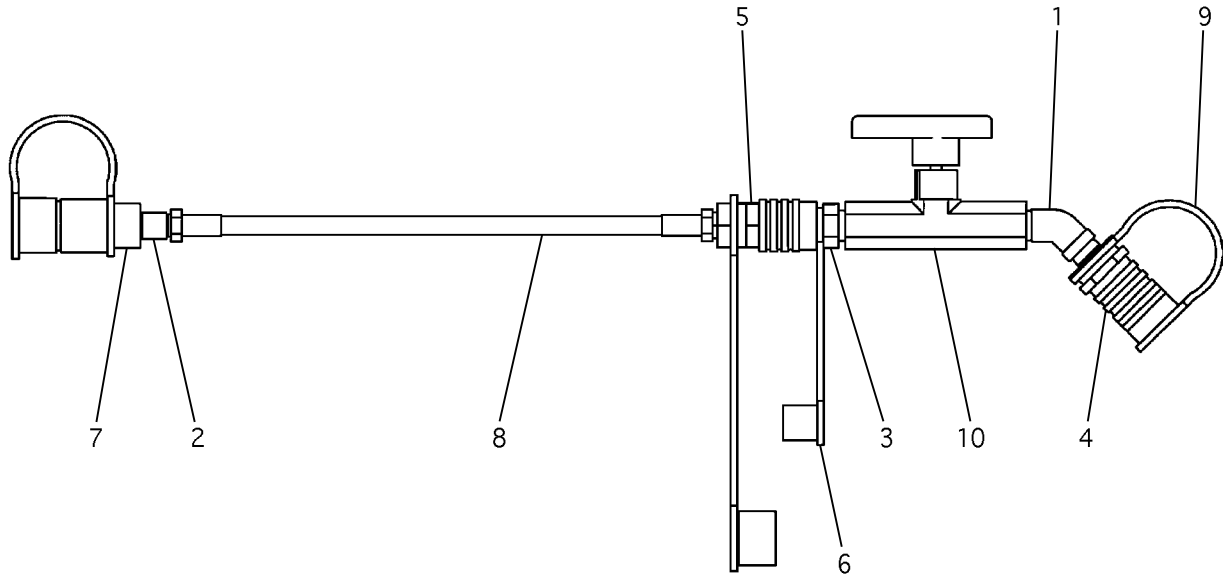


NOTE	REF NO	PART NUMBER	QTY	PART NAME	NOTE	REF NO	PART NUMBER	QTY	PART NAME
	1	1838773	1	PLATE AS					
	2	1838763	1	PIN					
	3	1839179	1	SHEEVE					
	4	1087879	1	BUSHING					
	5	1839189	1	PLATE AS					
	6	1839274	1	NUT-SPECIAL					
	7	1838770	1	HOOK					
	8	1839173	1	BOLT-HOOK					
	9	1839184	1	SPRING-RING					
	10	5P0370	1	PIN-LOCK					
A	11	1447887	2	PIN AS-KNEELING LOCK					
		8T5361	1	WASHER-HARD					
		0531720	1	PIN-SPRING					
		1447886	1	PIN					

A - NOT PART OF THIS GROUP

1462671 BLOCK GP-HOOK
Part of 1265856 Tool Gp

SERVICE EQUIPMENT AND SUPPLIES

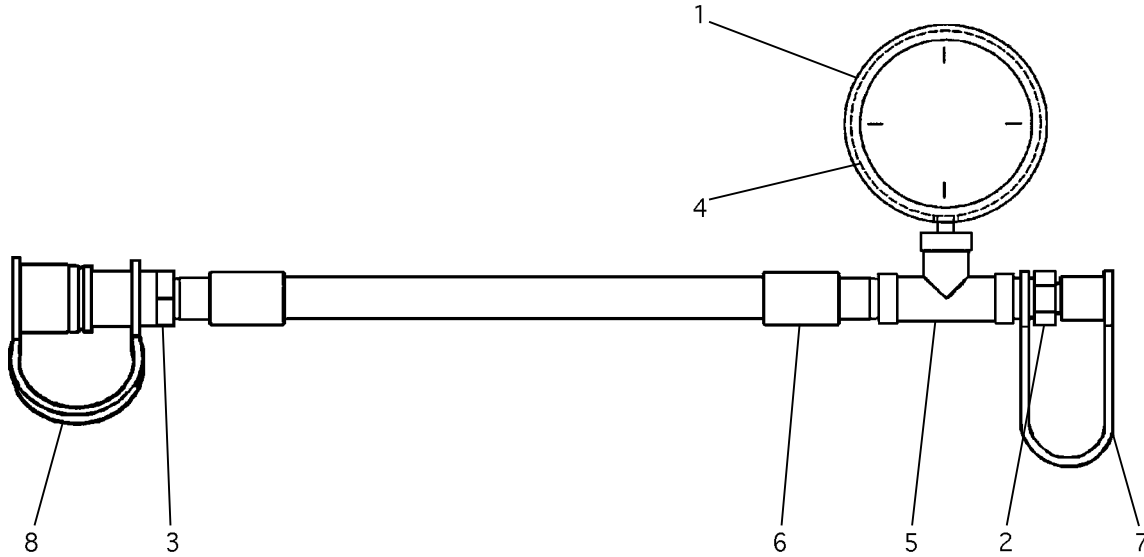


NOTE	REF NO	PART NUMBER	QTY	PART NAME	NOTE	REF NO	PART NUMBER	QTY	PART NAME
	1	2N1931	1	ELBOW 45° (M,F-NPTF)					
	2	4M5317	1	BUSHING-REDUCING					
	3	6V3966	1	NIPPLE AS-VALVED					
	4	6V3990	1	COUPLER AS					
	5	6V4143	1	COUPLING (F-QUICK 45 MM LG)					
	6	7X5308	1	CAP-DUST					
	7	1481886	1	COUPLING (F-QUICK)					
	8	1563438	1	HOSE					
	9	1600201	3	COVER-DUST					
	10	1618104	1	VALVE-HYD					

1563437 LINES GP-COUPLER

Part of 1265856 Tool Gp

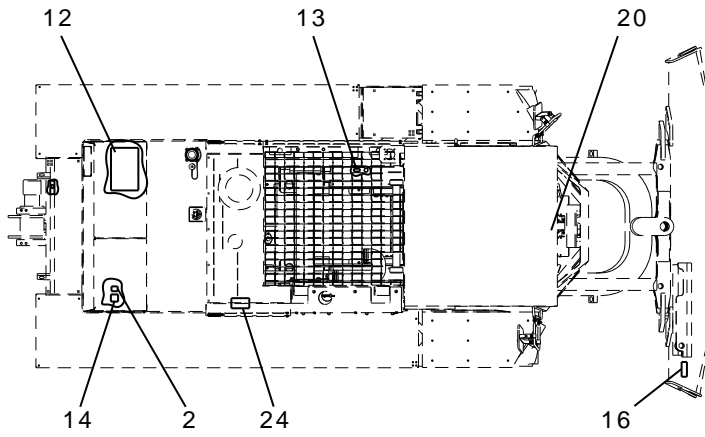
SERVICE EQUIPMENT AND SUPPLIES



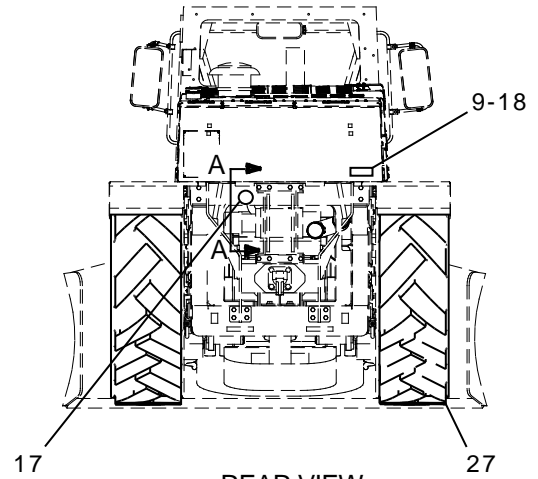
NOTE	REF NO	PART NUMBER	QTY	PART NAME	NOTE	REF NO	PART NUMBER	QTY	PART NAME
	1	1U5809	1	GROMMET					
	2	6V3966	1	NIPPLE AS-VALVED					
	3	6V4144	1	COUPLING (F-QUICK 55 MM LG)					
	4	8T0859	1	GAGE-PRESSURE					
	5	0060210	1	TEE-PIPE (F,F,F-NPTF)					
	6	1630887	1	HOSE AS					
		1241891	1	COUPLING-HOSE (NPTF)					
	7	7X5308	1	CAP-DUST					
	8	1600201	1	COVER-DUST					

1628243 LINES GP-GAGE
Part of 1265856 Tool Gp

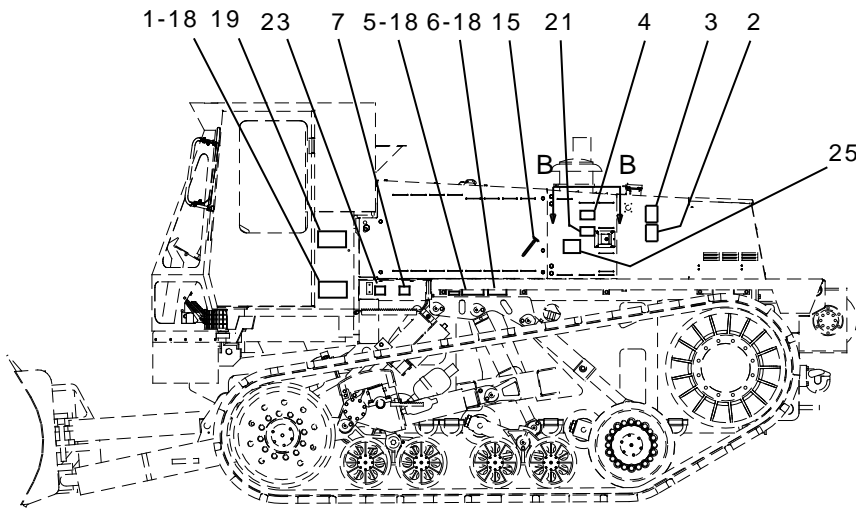
SERVICE EQUIPMENT AND SUPPLIES



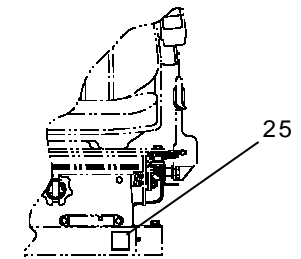
TOP VIEW



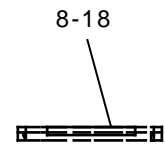
REAR VIEW



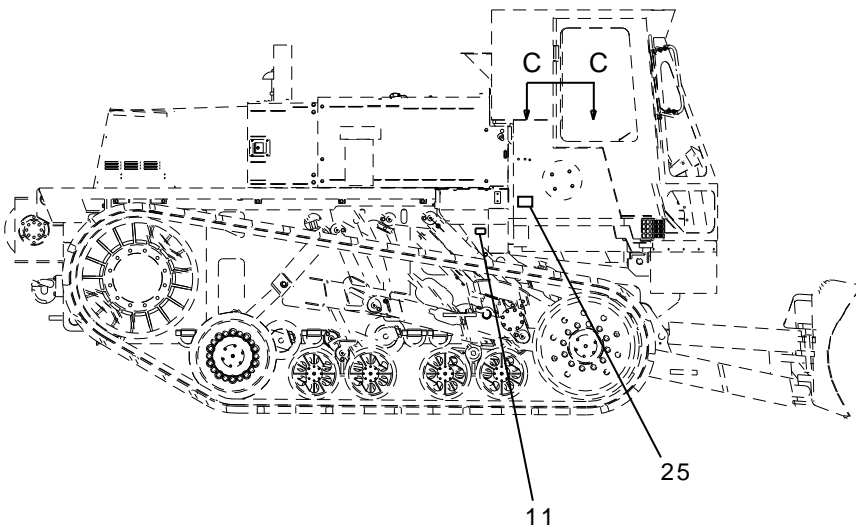
L.H. SIDE VIEW



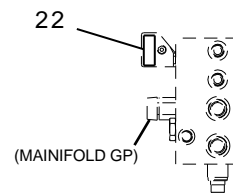
VIEW OF SEAT



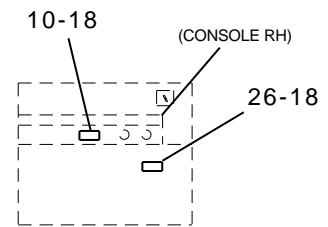
VIEW A-A



R.H. SIDE VIEW



VIEW B-B



VIEW C-C

122811 PAINT GP-TRANSFER
Part of 1447164 Chassis Ar

SERVICE EQUIPMENT AND SUPPLIES

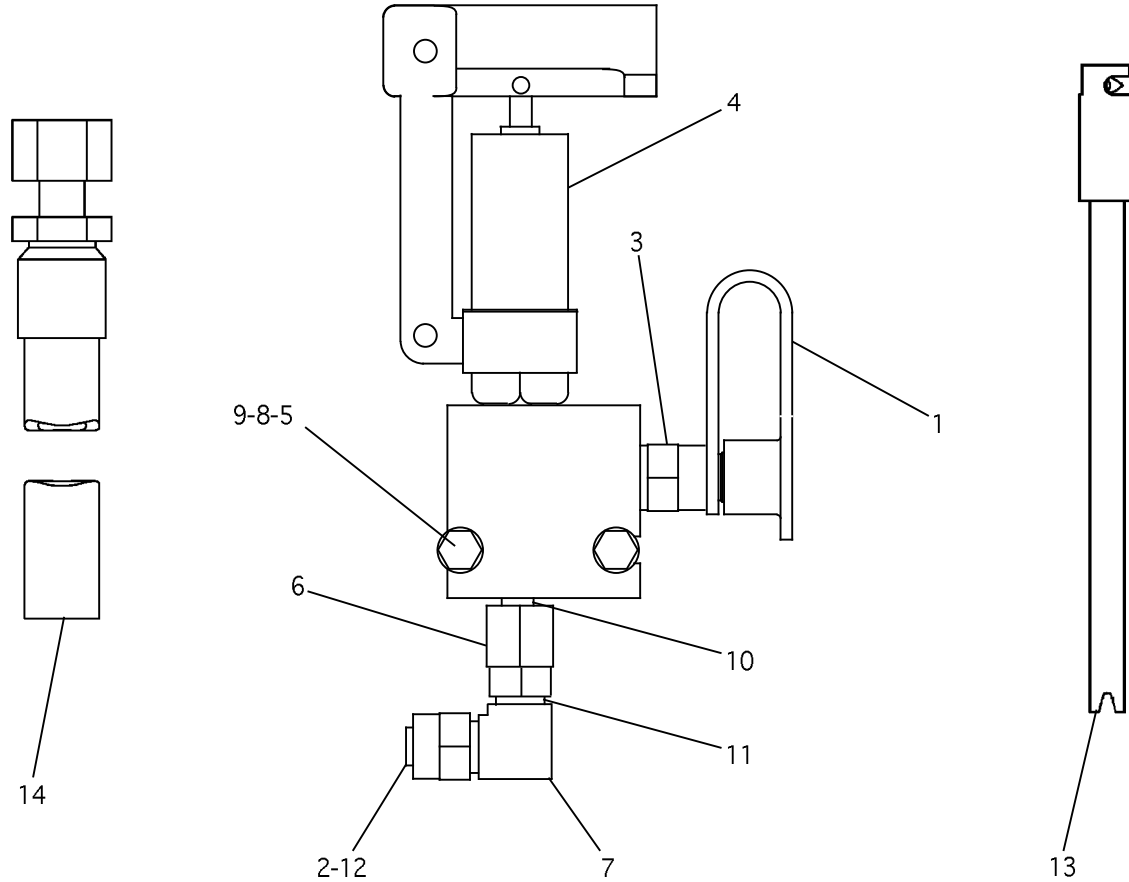
NOTE	REF NO	PART NUMBER	QTY	PART NAME	NOTE	REF NO	PART NUMBER	QTY	PART NAME
	1	1374629	1	PLATE-SHIPPING					
	2	6V4611	2	FILM-WARNING					
	3	1458331	1	FILM-IDENTIFY (SLAVE)					
	4	1393850	1	FILM-INSTRUCT (AUX CHG SWITCH)					
	5	6V9745	1	PLATE-IDENTIFY (SERIAL NUM)					
	6	1312965	1	PLATE-IDENTIFY (IDENTIFY)					
	7	1402401	1	FILM-INSTRUCT (RAD/CAB)					
	8	1402399	2	FILM-INSTRUCT (HYD CONNECT)					
	9	1312966	1	PLATE-IDENTIFY (TOWING)					
	10	5P9466	1	PLATE-WARNING					
	11	1106393	1	PLATE-INSTRUCT (A/C)					
	12	1737634	1	PLATE-IDENTIFY					
	13	1347258	1	FILM-IDENTIFY (COOLANT LEVEL)					
	14	1213991	1	FILM-INSTRUCT (BATTERY)					
	15	5P1175	1	FILM-ENGINE OIL					
	16	9X1878	1	PLATE-ID (SERIAL NUM-BLADE)					
	17	1046456	1	FILM-INSTRUCT (HYD FILL)					
	18	1688389	32	TACK-FASTENER					
	19	1716802	1	FLIM-CAUTION (NOISE LEVEL)					
	20	1358013	1	TAG-COOLANT FILL					
	21	1592408	1	FILM-INFO (AIR CLEANER)					
	22	1525419	1	FILM-INSTRUCT (CHARGE SWITCH)					
	23	1545892	1	FILM-INSTRUCT (HAND PUMP)					
	24	1713741	1	FILM-IDENTIFY (SERVICE INFO)					
	25	1709220	3	FILM-WARNING					
	26	1312607	1	PLATE-IDENTIFY (WARRANTY)					
A	27	1R1287	2	BELT-TRACK DRIVE					

A - NOT PART OF THIS GROUP

1228811 PAINT GP-TRANSFER

Part of 1447164 Chassis Ar

SERVICE EQUIPMENT AND SUPPLIES



NOTE	REF NO	PART NUMBER	QTY	PART NAME	NOTE	REF NO	PART NUMBER	QTY	PART NAME
	1	6V0852	1	CAP-DUST					
	2	6V9831	1	CAP AS					
	3	1484415	1	COUPLING (M-QUICK)					
	4	1563435	1	PUMP-HAND					
M	5	5C2890	2	NUT-FULL (M6)					
	6	5P8874	1	ADAPTER (M,F-STOR)					
	7	6V8722	1	ELBOW 90° (M-ORFS,M-STOR)					
M	8	9X2480	2	BOLT-HEX HEAD (M6)					
	9	9X8256	4	WASHER					
	10	3J1907	1	SEAL-O-RING (ORB-OD 15.9)					
	11	3K0360	1	SEAL-O-RING (ORB-OD 20.8)					
	12	7J9108	1	SEAL-O-RING (ORFS-OD 19.2)					
A	13	1447890	1	LEVER AS-HAND (BRAKE/BLADE)					
A	14	1693173	1	HOSE AS					
E		1226871	71	HOSE-HYDRAULIC					
		1242119	1	COUPLING-PERM					

A - NOT PART OF THIS GROUP
 E - ORDER BY THE CENTIMETER
 M - METRIC PART

1563436 PUMP GP-HAND (BRAKE & BLADE)

Part of 1265856 Tool Gp

SERVICE EQUIPMENT AND SUPPLIES

1	1462671	BLOCK GP-HOOK	473
1	1693173	HOSE AS	478
1	1447890	LEVER AS-HAND (BRAKE/BLADE) ..	478
1	1563437	LINES GP-COUPLER	474
1	1628243	LINES GP-GAGE	475
2	1447887	PIN AS-KNEELING LOCK	473
1	1563436	PUMP GP-HAND (BRAKE/BLADE) ...	478

1265856 TOOL GP
 Part of 1447166 Operator Ar

PART NUMBER INDEX

NUMBER	PAGE	NUMBER	PAGE	NUMBER	PAGE	NUMBER	PAGE
0							
OL0478	.281	1B2693	.469	1G8560	.285	1K6870	.324
	.291	1B2790	.107	1G8878	.9		.325
OL1026	.19	1B4427	.445		.332	1K6985	.311
	.277	1B7182	.189	1G9089	.169	1K9007	.421
	.279	1B8702	.295	1G9090	.169	1L5072	.327
OL1143	.211	1B8704	.437	1G9175	.373	1L6957	.277
	.399	1B8705	.22	1G9176	.373	1M1230	.446.01
	.400		.26	1G9177	.373	1L7388	.203.01
	.403	1B8708	.362	1G9178	.373	1M6119	.163
	.404	1B8741	.373	1G9181	.373		.165
OL1351	.187	1B9575	.190	1G9182	.373		.177
	.203.01	1D4593	.277	1G9183	.373		.181
	.207		.279	1G9185	.373	1M6120	.163
OL1352	.187	1D4717	.93	1G9187	.373		.165
OL2070	.362		.378	1G9188	.373		.177
OL2315	.187	1D5117	.133	1G9189	.373		.181
OS0509	.190	1F0748	.89	1G9191	.373	1M8651	.211
OS1569	.277	1F0750	.438	1G9192	.373		.280
OS1585	.279	1F2771	.207	1G9193	.371	1M9011	.245
OS1588	.187	1F5842	.189	1G9196	.371	1N3477	.17
	.190	1G5727	.361	1G9202	.373		.47
	.207	1G5728	.361	1G9203	.371	1N4403	.94
	.209	1G5730	.361	1G9205	.371	1N5970	.251
	.277	1G5731	.361		.373	1N5999	.218
	.283	1G5732	.361	1G9230	.153	1P0436	.107
OS1590	.187	1G5733	.361	1G9326	.373	1P3703	.285
OS1591	.93	1G5734	.361	1G9960	.289		.287
OS1594	.189	1G5735	.361	1G9973	.287	1P3934	.277
	.211	1G5736	.361	1H1023	.300		.279
	.217	1G5737	.361	1H1200	.397	1P3935	.277
	.218	1G5738	.361		.415		.279
OS1614	.399	1G5739	.361	1H3244	.132	1P3958	.277
	.403	1G5740	.361		.153		.279
OS1617	.189	1G5742	.361	1H3338	.153	1P4278	.91
OS1618	.190	1G5743	.361	1H4393	.153	1P4576	.187
	.215	1G5745	.361	1H6227	.84		.197
	.470	1G5746	.361		.311	1P4577	.187
OS1619	.187	1G5747	.361		.312		.195
	.209	1G5748	.361		.366		.197
OT0055	.362	1G5749	.361	1H7339	.415		.198
OT0065	.362	1G5750	.361	1H8171	.187	1P5766	.287
OT0200	.275	1G5755	.373	1J1953	.259	1P6356	.451
OT0573	.364	1G5756	.361		.261	1P6522	.429
OT0924	.207	1G5773	.361	1J9671	.35	1P6563	.187
		1G6094	.75		.79	1P6886	.93
			.267		.107	1P7363	.382
			.269		.109		.383
			.272		.215		.384
			.341		.239	1P9699	.217
1A0075	.279		.343		.241	1Q1445	.433
1A2029	.189		.343.05		.245	1Q2867	.433
	.207		.343.07		.251	1Q4311	.64
	.277		.347		.259	1R0739	.9
	.364	1G7663	.275		.261		.51
1A2223	.203.01		.377		.265		.57
1A5183	.203	1G8025	.371		.380		.59
1B0676	.437	1G8026	.371		.387		

PART NUMBER INDEX

NUMBER	PAGE	NUMBER	PAGE	NUMBER	PAGE	NUMBER	PAGE
1R0751	.9		41	2J3506	.399	2N7638	.445
	107		44		400	2P1078	.362
1R1189	.236		96	2J3950	.312	2P1221	.93
1R1196	.239		137		313	2P1279	.267
	241	1V0782	.227		315		271
1R1198	.251	1V3113	.429	2J4066	.310		341
1R1287	.9	1V7403	.229	2J6274	.190		343
	.262	1W0122	.265		193		.343.05
	.477	1W0565	.120		277		.343.07
1S0994	.451	1W2431	.101		.279		349
1S1636	.215	1W2713	.34	2J7761	.327	2P1293	.75
1S1638	.215	1W2715	.34	2J8592	.200		.79
1S2563	.24	1W8407	.20	2K4821	.132		197
1S3206	.189	1Y7574	.415	2K4973	.353		391
1S3311	.311				399	2P4339	.433
1S3743	.207	2			400	2P5616	.132
1S4698	.427				403	2P5860	.203.01
1S7057	.54	2A3211	.127		404	2P8386	.279
1S7251	.148	2A4639	.277		421	2R0504	.90
	173	2B0286	.239		423	2R1236	.315
	177		241		469	2S0675	.215
	181		247	2K5967	.207	2S0696	.219
1S7252	.148		249	2K6091	.357	2S1382	.218
	165		265	2K9111	.469	2S1384	.218
	177	2B2695	.189	2L0043	.277	2S1385	.218
	181		215	2L0273	.149	2S2182	.215
1S9593	.299		219	2L1699	.397		366
	300	2B3455	.211	2L5893	.469	2S3745	.429
	396	2B3457	.211	2L6965	.361	2S4078	.75
1T0043	.277	2B9373	.357	2L8066	.147		.77
1T0132	.245	2D6235	.446.01	2L8071	.147		197
1T0678	.277		472	2L8075	.132		269
1T0689	.207	2D6642	.19	2L8509	.29		285
1T0720	.209		38	2M4287	.211		339
1T0738	.189		275	2M4453	.85		341
1T0954	.205		277	2M4779	.275		343
1T1068	.121		279	2M6471	.21		.343.03
1T1278	.207	2D8009	.211		35		.343.05
1T1281	.207		415	2M7041	.217		.343.07
1T1282	.207	2D8363	.277	2M7943	.105		351
1U1480	.399		279	2M9780	.21	2S4872	.219
	400	2D8426	.275		51	2S5717	.189
1U1730	.311	2F7306	.471		75	2S6895	.431
1U2744	.379	2G8265	.452		121	2S7916	.362
	383	2G8767	.181		218	2S7931	.362
1U2745	.378	2H2525	.415		287	2S9750	.217
	382	2H3429	.147		351	2T2305	.107
1U3015	.239	2H3922	.153		361		109
	241		165		366		111
	247		429		371		113
	249	2H3923	.429		382		115
	255	2H3927	.187		383	2V8259	.173
	257	2H3931	.310		384		191
1U5809	.475	2H3935	.280		387	2W0027	.42
1U8846	.24	2H4145	.310	2N1931	.474	2W1145	.277
	36	2H5549	.310	2N2188	.245	2W3294	.128
	37	2H6338	.310	2N2189	.245	2W6047	.391

PART NUMBER INDEX

NUMBER	PAGE	NUMBER	PAGE	NUMBER	PAGE	NUMBER	PAGE
2W6544	.24		241	3E2296	.185	3E7277	.167
2W7211	.21		247	3E3361	.151	3E7294	.153
2W7212	.9		249	3E3361	.151	3E7700	.463
	.80		255	3E3362	.151	3E7751	.299
2W7213	.21		257		.153	3E7775	.147
2W7381	.43		259		.429	3E7806	.161
2W7566	.32		261	3E3363	.153		.177
2W8077	.60		311	3E3365	.131	3E8017	.102
2W8078	.60		313		.153	3E9412	.40
2W8079	.60		317		.154	3E9865	.153
2W8085	.60		321		.167	3F0379	.147
2W8087	.60		323		.173	3F1396	.239
2W8090	.60		326		.175		.241
2W8091	.60		403		.184	3F3152	.215
2W8147	.26		404		.191	3F5792	.290
2W8476	.32		415		.429	3F7147	.415
2W9128	.42		459	3E3368	.157	3G0361	.275
2W9162	.9	3D2824	.41	3E3370	.154		.327
	.47		.44		.179	3G2849	.233
2Y5829	.19		.51	3E3371	.154	3G3726	.295
			.57		.157	3G4783	.377
			.69		.161	3G8887	.403
			.71		.175		.404
			.77		.177	3G8917	.399
			.79		.179		.400
			.85	3E3377	.140	3G8932	.403
			.89		.141		.404
3B0645	.118		.95		.418		.412
3B1915	.195		.97	3E3382	.151	3H1461	.189
	.197		.85	3E3383	.145	3H3385	.275
	.198		.89		.151	3H5552	.21
3B4501	.429		.195		.429	3J1907	.41
3B4504	.423		.197	3E3388	.161		.51
	.443		.198	3E3389	.161		.54
3B4505	.65		.215	3E3658	.426		.57
	.90		.285	3E3742	.431		.75
	.423		.287	3E4053	.451		.105
	.425		.300	3E4054	.451		.107
3B4507	.415		.319	3E4071	.353		.109
3B4508	.90		.339	3E4352	.29		.111
	.415		.341		.157		.113
3B4615	.127		.343	3E4354	.280		.115
	.437		.343.03		.380		.121
3B4617	.437		.343.05	3E4896	.46		.131
3B4618	.89		.343.07	3E4913	.89		.161
3B4622	.373		.361	3E5169	.431		.175
3B4627	.229		.373		.433		.177
3B6487	.93		.377	3E5180	.151		.187
	.259		.379	3E5464	.429		.190
	.261		.391	3E6332	.131		.195
3B7255	.71		.409	3E6436	.154		.209
3B7745	.283		.411	3E6477	.151		.215
3B8485	.236	3D4197	.190		.153		.217
	.259	3D8317	.219	3E6801	.285		.259
	.261	3D8747	.446.01	3E6804	.285		.261
	.317	3D8752	.446.01	3E7240	.431		.265
	.323	3E0068	.429	3E7259	.184		.267
	.412	3E0406	.429				
3B8488	.259	3E1841	.429				
	.261	3E1906	.426				
3B8489	.239		.427				

3

PART NUMBER INDEX

NUMBER	PAGE	NUMBER	PAGE	NUMBER	PAGE	NUMBER	PAGE
.....	269	127	3P0658265	113
.....	271	128	3P115653	115
.....	285	131	3P2179163	165
.....	287	149	3P3208187	267
.....	295	157	3P3461187	269
.....	308	161	3P4053217	271
.....	330	175	3P7009203	272
.....	331	179	3P8485219	337
.....	332	189	3R4437283	341
.....	339	195	3R4463283	343
.....	343.03	197	3R4775111	343.01
.....	345	259115	343.05
.....	351	261	3S2093167	343.07
.....	355	265173	347
.....	361	267175	3V2431121
.....	371	269177	209
.....	373	271179	3V479191
.....	378	275183	3W1493437
.....	387	295184	3W1495435
.....	407	312191	3W1615435
.....	409	337429	3W5956425.01
.....	478	339	3S2708203	3W5957438
3J735435	341203.01	3W5960438
.....	36	343277	3W5966438
.....	44	343.01279	3W6717439
.....	51	343.03	3S6050165	3W6718423
.....	57	343.05	3S84489	3Y2888131
.....	59	343.07427	3Y6047127
.....	79	345	3S8606343.03		
.....	118	356	3S9896203		
.....	154	377	3T0010169		
.....	157	387	3T0049169	4B2043431
.....	259	391	3T2662151	4B2049147
.....	261	405	3T3046169	154
.....	329	409	3T3270151	184
.....	330	411	3T3272151	4B3388189
.....	331	478	3T3408431	4B3903220
.....	332	3K2511203	3T3422147	4B4158295
.....	345	203.01	3T3437151	4B4274431
.....	351	3K3257148	3T3935187	4B4276446.01
.....	371	3K6060233	3T4307313	4B4277446.01
.....	373	3K8280127	3T4377203.01	4B4674425
.....	380	3K8584469	3T4405431	4B4863127
.....	382	3L2540191	3T4568277	153
.....	383	366	3T4715277	169
.....	384	3L6513179	3T4823277	170
.....	387	181	3T4824277	191
.....	391	183	3T5021277	225
.....	397	3L8187162	3T5200277	4B5272469
.....	415	431	3T5807279	4B5324431
3J8031275	3L9409239	3T6354132	4B9782193
3K03609	241	3T6742277	275
.....	28	3L9410239	3T6963277	277
.....	80	241	3T8728151	279
.....	85	3N3252105	3V004675	327
.....	86	3N408736109	4B9783203
.....	99	3N408836111	4B9784203.01

4

PART NUMBER INDEX

NUMBER	PAGE	NUMBER	PAGE	NUMBER	PAGE	NUMBER	PAGE
.....	265	259	341	403
4B9880	215	261	343	404
.....	219	267	343.05	4T1679	310
.....	279	269	343.07	4T1848	353
4C1493	265	271	351	4T2136	353
4C1494	265	287	4M5317	154	4T2139	405
4D0514	190	341	474	4T2723	378
4D4431	310	343	4M6425	90	4T2731	378
4D6640	247	343.05	4M8239	218	4T4513	383
.....	249	343.07	4M8303	187	4T4518	378
4D7388	48	345	415	4T4520	382
.....	49	347	4M8478	439	383
4D7794	149	349	4M9592	203.01	384
4D9986	378	351	4N0952	211	4T4521	382
4E1384	423	4J7533	190	4N5523	89	383
.....	425	191	4P1826	167	384
4E3969	418	215	4P2684	80	4T4524	382
4E8959	418	4J9224	310	4P2685	80	383
4F2294	151	4K0299	259	4P3681	86	384
.....	153	261	4P3953	120	4T4525	382
4F2393	203	4K1388	59	4P5524	94	383
4F2609	190	379	4P5918	24	384
4F4879	283	383	120	4T4526	382
4F6454	326	388	167	383
4F7389	187	394	4P7428	181	384
4F7391	54	4K2039	300	4P7429	184	4T4528	382
.....	317	4K8864	111	431	383
.....	364	115	4P7582	175	384
4F7952	193	4K9821	93	4P8134	30	4T4530	383
.....	312	131	167	4T4531	383
.....	315	4K9822	93	4P9103	51	4T4533	382
4F8946	187	131	4P9107	51	384
4F9029	24	4L6454	89	4P9936	105	4T4534	382
4F9653	121	421	4R8045	144	383
4H0019	279	4L7711	373	4R8819	431	384
4H6520	364	4L9564	9	4R8831	45	4T5613	311
4H7925	203	47	4R9269	223	4T6907	310
4J0520	195	203.01	4R9999	45	4T7791	383
.....	197	4M0061	90	4S1988	449	4T7795	379
.....	198	465	4S4465	421	383
4J0522	195	4M0189	362	4S5780	149	4T7801	383
.....	197	4M1677	203.01	4S6679	197	4T7803	383
4J0805	412	4M1751	218	4S7455	93	4T7810	382
4J3014	131	4M1827	147	4S8472	93	383
4J4630	315	4M1828	147	4S8473	93	384
4J5050	377	4M1831	147	4S8537	203	4T8054	310
4J5140	378	4M2381	215	4S8964	200	4T9780	353
4J5267	197	219	4T0172	399	4T9781	353
.....	378	4M3915	203	400	4T9788	353
4J5268	397	4M5281	153	4T0231	399	4T9789	353
4J5309	295	438	400	4V0611	69
4J5477	79	4M5282	69	403	267
.....	107	75	404	4V0612	69
.....	109	272	412	71
.....	111	285	4T0500	311	72
.....	113	289	4T1312	399	267
.....	115	339	400	337

PART NUMBER INDEX

NUMBER	PAGE	NUMBER	PAGE	NUMBER	PAGE	NUMBER	PAGE
.....	255	5P3779301	5P7071275	5R6242242
.....	257	5P3903341	5P7074207	5R6748142
5P0076207	343	5P7592279	143
.....	368	343.05	5P7684307	5R6749144
5P007854	343.07	5P7807132	5R6800329
5P0201285	5P411569	5P7813105	5R680157
5P0370473	89	5P7957465	59
5P053725	91	5P7958127	5R7372144
.....	107	153	235	5R884716
.....	382	181	275	36
.....	384	366	377	5R9956127
.....	399	433	431	275
.....	403	438	466	377
5P0562175	456	5P7970105	431
.....	200	5P411633	425	5S7001218
5P058093	49	5P806651	5S7349132
5P059793	131	5P8106190	147
5P0747148	175	5P8194203.01	5S7379353
.....	163	189	5P819651	453
.....	165	190	5P8215295	5S7382187
.....	173	438	5P824522.01	5S7383275
.....	177	451	31	291
.....	181	5P4326315	37	5S738490
5P0761165	5P4482308	203.01	5S7816219
5P076771	5P4487259	279	5T1362281
5P1075134	261	5P824721	5V1474469
.....	144	5P4571449	277	5V1497469
.....	438	5P5045203.01	279	5V423571
.....	453	5P5072207	5P8248399	5V5262469
5P107689	5P5167207	400	5V6152197
.....	127	5P5296203.01	5P8250311	5V8309227
.....	252	5P5297203.01	5P8292127	5Y1423148
.....	307	5P5621147	5P8347105		
.....	326	5P5624151	5P8392169		
5P1175477	429	5P8407429		
5P183885	5P5643429	5P8874175		
5P1981277	5P5677151	478	6B668383
5P2424427	418	5P8905341	6B6863203.01
5P256683	5P5846207	343	6D0047469
.....	326	5P5930423	343.05	6D0217403
5P2569295	5P5969441	343.07	404
5P281793	5P599191	5P892551	6D0679191
5P294893	5P6006147	57	6D4246173
.....	131	5P6254203	5P9209437	6D463671
5P2955195	5P6410445	49	72
.....	197	472	5P9297415	6D5801153
.....	198	5P6419433	5P9439477	6E0198295
.....	285	5P68719	5P9466319	6E0358394
.....	351	452	5P956051	6E0772384
5P3401265	5P6874453	5P961757	394
5P3418132	453	57	6E1455311
5P3419132	5P6944131	330	6E1865349
5P3494187	5P699471	5P9651251	6E3329301
5P3501105	451	5P9652251	6E3330301
.....	111	5P7001211	5P9806187	6E5564382
.....	113	5P7002211	203.01	384
.....	115	5P7068211	5R4467165	6E6042387
.....	115	5P7070429	177	6E6410383

6

PART NUMBER INDEX

NUMBER	PAGE	NUMBER	PAGE	NUMBER	PAGE	NUMBER	PAGE
6E6411	.383	6J0488	.438		.267	6V0744	.353
6F4855	.19	6J2797	.259	6R2678	.181	6V0852	.215
6F6673	.219		.261	6R3269	.131		.217
6F7045	.153		.312	6R3319	.289		.267
	.165	6J3134	.295		.451		.285
6F7062	.21	6J3473	.279	6R3320	.285		.331
6G0001	.191	6J3993	.215		.407		.332
6G2256	.181	6J7264	.311	6R3340	.285		.355
6G2263	.181	6J7500	.403		.289		.356
6G4092	.191		.404		.451		.409
6G4093	.191	6K6307	.307	6R3341	.267		.478
6G4134	.191		.341		.271	6V1155	.423
6G4357	.281		.343		.272	6V1320	.371
6G4358	.281		.343.05	6R6930	.105	6V1322	.445
6G5987	.446.01		.343.07	6R7653	.435	6V1392	.429
6G6623	.281		.351	6S2289	.283	6V1668	.429
6G8831	.452	6K6967	.259	6S2828	.279	6V1722	.71
6G9333	.9		.261		.280		.72
	.49	6L5855	.183	6S2829	.279		.391
6H3689	.173	6L9952	.71		.280	6V2315	.25
6H5139	.275	6M9155	.265	6S3463	.312	6V2317	.23
	.327	6N1872	.132		.314		.24
6H5829	.189	6N1944	.132	6S6031	.251		.29
6I0915	.98	6N3827	.147	6S6032	.251		.29.01
6I1099	.98	6N4414	.107	6T0064	.277		.51
6I2298	.16	6N5926	.154	6T0364	.279		.105
	.98	6N6011	.105	6T0465	.165	6V2404	.277
6I2307	.34	6N8589	.151		.177	6V2478	.203.01
6I2423	.128		.153		.181		.245
6I2424	.128	6N8863	.189	6T1947	.277	6V2480	.169
6I2503	.9	6N9349	.153	6T3631	.162	6V2686	.131
	.94	6P1294	.127		.431	6V2722	.133
6I2504	.9	6P2216	.448	6T3632	.162	6V2861	.253
	.94	6P3236	.433		.431	6V3213	.203.01
6I2700	.93	6P4938	.219	6T3633	.162	6V3259	.469
	.94	6P4940	.219		.431	6V3507	.431
6I2933	.93	6P4943	.219	6T3642	.153	6V3532	.319
6I3033	.98	6P4977	.189	6T3643	.151	6V3538	.20
6I4265	.69	6P4978	.219	6T3644	.151	6V3545	.190
6I4464	.94	6P7704	.203.01	6T3724	.215	6V3821	.30
6I8302	.207	6P8267	.277	6T4864	.421		.40
6I8498	.203		.279		.449		.47
6I8500	.203.01	6P9783	.219	6T5098	.429	6V3822	.32
6I8510	.203.01	6P9784	.219	6T5132	.190	6V3834	.361
6I8724	.277	6P9785	.219	6T5133	.190	6V3918	.37
6I9233	.187	6P9786	.219	6T6505	.429		.41
6I9234	.186	6R0348	.337	6T6506	.429		.86
	.187		.343.01	6T6069	.425.01	6V3940	.22
	.212	6R0552	.377	6T8943	.446.01		.24
6I9475	.215	6R1317	.411	6T9255	.446.01		.49
6I9514	.214	6R1702	.361	6T9256	.446.01		.42
	.215		.371	6U1989	.415		.53
	.216	6R1703	.361	6V0301	.391		.54
	.299		.371	6V0400	.285		.80
6I9640	.403	6R1704	.371	6V0484	.195		.157
	.404	6R2050	.170		.217	6V3965	.75
6I9732	.203		.175		.330		.195

PART NUMBER INDEX

NUMBER	PAGE	NUMBER	PAGE	NUMBER	PAGE	NUMBER	PAGE
.....	215	6V6957225	113	351
.....	217	6V7005253	115	353
.....	267	6V723828	121	391
.....	285	6V735789	195	6V855757
.....	331191	267	69
.....	332	6V7676459	269	75
.....	355	6V7687235	271	79
.....	356	6V7688200	287	285
.....	409	6V7699191	341	6V855875
6V3966474	6V7700373	343	285
.....	475	6V7743151343.05	351
6V3990474	6V7744127343.07	6V856054
6V414375181	345	105
.....	355229	351	109
.....	409437	391	113
.....	474	6V7978471	407	391
6V414475	6V8116295	409	6V8561337
.....	355	6V814922.01	6V8398195343.01
.....	409	6V818565	197	391
.....	475229	269	6V8562287
6V4270423445	285	6V856369
6V4298445	6V8186151	337	197
6V4365189153	339	285
.....	218	6V8187132	341	391
6V4611165153	343	6V856457
.....	477	6V818883343.01	69
6V5049356147343.03	75
6V5058265173343.05	79
6V5142299177343.07	285
.....	396179	345	6V856575
6V521560183	351	285
.....	373275	353	351
6V521724427	391	6V8625197
.....	37	6V818965	405	339
6V521854421	409343.03
6V521924	6V819731	411	391
.....	51361	6V840051	405
.....	60	6V822589	75	411
.....	99105	77	6V8627269
6V522199425	285	287
6V5222157	6V833637	351	6V8633285
6V522399	6V8362433	6V8490105	391
6V523080	6V8367431	6V855046	409
6V5320356433	6V855354	6V8634195
6V5651429	6V8368431	105	267
6V569622.01	6V8374162	109	271
6V5758299431	113	345
.....	396	6V8376151	391	6V8635339
6V581561153	6V8554337343.03
.....	361	6V8377431343.01	6V8636105
6V583961	6V8382431	391	107
6V584332433	6V8555287	109
.....	295	6V839754	6V855669	113
6V6640280105	79	121
6V6703135107	195	267
6V6891423109	197	271
6V6923387111	285	345

PART NUMBER INDEX

NUMBER	PAGE	NUMBER	PAGE	NUMBER	PAGE	NUMBER	PAGE
.....	351	6V8801227	353	6V9844341
6V8637195	275	391	343
.....	197	6V8837371	405	343.05
6V8639337	6V891890	409	343.07
.....	341	6V8928421	6V9170409	351
.....	343	6V8941195	6V917257	6V984669
.....	343.01	6V8942195	69	6V984769
.....	343.05	351	75	6V9849347
.....	343.07	353	6V9182195	6V9850107
.....	345	6V894669	351	109
.....	353	75	391	113
.....	405	6V8980391	6V9189151	267
.....	411	409	435	409
6V864075	6V8981339	437	6V9851197
.....	287	343.03	460	337
6V8641267	353	6V9200391	341
.....	269	405	6V9507109	343
.....	271	409	113	343.01
.....	287	6V8986267	6V9632142	343.05
.....	345	271	143	343.07
6V8642121	349	151	351
6V864779	6V8987267	225	353
.....	345	271	429	409
.....	351	6V8988353	431	6V9852409
6V8713287	405	438	6V985375
6V871451	409	6V967364	77
.....	197	6V8989409	6V9745477	79
6V8716197	6V899075	6V974669	195
.....	351	6V899857	75	407
6V8718267	75	77	6V985475
6V8719337	6V9001195	79	285
.....	343.01	6V9002409	195	6V985551
6V8720287	6V9005339	197	6V9873339
6V8721351	343.03	198	343.03
6V8722478	6V900677	285	351
6V8723267	6V900769	287	6V9875197
6V872454	79	351	285
.....	113	195	353	6V9949343.03
6V872569	197	391	6V9965285
6V8726289	198	407	339
.....	353	285	409	341
6V8730105	391	6V9831478	343
.....	111	6V900851	6V9835267	343.05
.....	115	57	6V9836107	343.07
6V8774271	75	267	353
6V8775409	285	269	6V9967339
6V877777	6V900975	351	341
.....	195	285	6V9837337	343
6V8781267	351	343.01	343.03
.....	287	6V9168109	351	343.05
6V8782197	113	405	343.07
.....	269	267	409	353
.....	341	271	6V983975	6V9973339
.....	343	391	285	343.03
.....	343.05	409	351	6V9974339
.....	343.07	6V9169339	6V984075	343.03
6V8784195	343.03	6V9842267	6W0108469

PART NUMBER INDEX

NUMBER	PAGE	NUMBER	PAGE	NUMBER	PAGE	NUMBER	PAGE
6W0210	.109	6Y5911	.203.01	7C4273	.34	7G9730	.9
	.111	6Y5912	.203.01	7C4354	.451		.431
	.113	6Y5968	.207	7C5294	.120		.433
	.115	6Y6119	.403	7C5403	.53	7H1447	.327
	.165		.404	7C6670	.103	7H3171	.357
	.269	6Y6120	.403	7C6672	.103	7H7658	.203
	.272		.404	7C6966	.26	7J0204	.193
	.341	6Y6126	.412	7C6967	.26		.218
	.343	6Y6127	.412	7C6969	.26		.382
	.343.05	6Y6134	.412	7C6970	.26		.383
	.343.07	6Y6234	.403	7C6976	.42		.384
6W0590	.469		.404	7C6977	.42	7J1309	.311
6W1884	.465	6Y6235	.403	7C7431	.102	7J2604	.239
6W1886	.469		.404	7C8444	.27		.241
6W1893	.469	6Y6581	.403	7D1649	.377		.247
6W1894	.469		.404	7D9267	.291		.249
6W2914	.469	6Y6593	.399	7E0759	.80		.255
6W2915	.469		.400	7E1718	.46		.257
6W8281	.469	6Y6595	.399	7E2968	.21	7J3958	.211
6W8285	.469		.400	7E4761	.71	7J5544	.127
6W8296	.469	6Y6603	.399		.72		.289
6Y1602	.203		.400		.127		.377
6Y1690	.207	6Y6604	.399		.275	7J5639	.311
6Y2280	.219		.400		.377	7J6877	.314
6Y2456	.353	6Y6768	.403	7E5189	.105	7J8611	.111
6Y2506	.353		.404	7E5196	.54		.115
6Y4385	.399	6Y6771	.403	7E5714	.167		.283
	.400		.404	7E7779	.34	7J8893	.211
6Y4388	.403	6Y6772	.399	7E8828	.167	7J8894	.211
	.404		.400	7F0216	.51	7J9108	.121
6Y4420	.203.01	6Y6774	.403	7F0560	.133		.287
6Y4421	.203		.404	7F2050	.429		.300
6Y4422	.203	6Y6955	.412	7F2060	.429		.407
6Y4423	.203.01	6Y8048	.215	7F3713	.437		.409
6Y4424	.203.01	6V8397	.407	7F6998	.433		.478
6Y4425	.203	6Y9539	.351	7F7621	.132	7J9884	.310
6Y4427	.203	6V9849	.349	7F8267	.85	7J9885	.310
6Y4439	.203	6Y9915	.89	7F8607	.382		.313
6Y4442	.203				.383		.314
6Y4538	.215				.384	7J9887	.310
6Y4539	.215			7G0020	.151	7J9910	.311
6Y4540	.215	7B2742	.107	7G1596	.277	7K1181	.51
6Y4541	.215		.192	7G2343	.203.01		.107
6Y4542	.215	7B3028	.217	7G2830	.203.01		.151
6Y4714	.203.01		.218	7G3737	.187		.167
6Y4734	.399	7C0111	.42	7G3975	.203.01		.169
	.400	7C0358	.49	7G4822	.207		.170
6Y4829	.203	7C1159	.105	7G4842	.219		.175
6Y4830	.203	7C1445	.23	7G4850	.429		.177
6Y4847	.203	7C1493	.51	7G5670	.203.01		.179
6Y4848	.203	7C1770	.16	7G7053	.183		.181
6Y4849	.203.01		.44	7G7724	.203.01		.183
6Y5739	.277	7C2272	.27	7G8427	.207		.433
	.279	7C2475	.16	7G8430	.207	7K6058	.403
6Y5767	.412		.53	7G8431	.207		.404
6Y5880	.412	7C2476	.16	7G8432	.207	7K9203	.312
6Y5881	.412		.54	7G8839	.277		.314

7

PART NUMBER INDEX

NUMBER	PAGE	NUMBER	PAGE	NUMBER	PAGE	NUMBER	PAGE
7K9211	.259		.300		.181	7T3268	.147
	.261		.396		.267	7T3269	.147
7L2894	.147	7N9801	.131	7R7955	.59	7T3270	.147
7L3111	.209	7N9943	.9		.285	7T3271	.147
7L7304	.353		.449		.343	7T3276	.147
7M1177	.277	7R0211	.421		.343.07	7T3277	.147
	.279	7R3453	.371	7R7960	.59	7T3278	.147
7M1199	.203.01	7R3825	.371		.77	7T3279	.147
7M1201	.203.01	7R6467	.358		.285	7T3451	.147
	.388	7R6517	.358	7R7962	.267	7T3454	.147
7M5130	.19	7R6633	.358		.345	7T4532	.426
7M7410	.415	7R6634	.358	7R7963	.165	7T4754	.207
7M7794	.187	7R6635	.358		.230	7T7376	.158
7M8485	.51	7R6636	.358		.275		.192
	.57	7R6637	.358		.329	7T8136	.279
	.75	7R6638	.358		.407	7T8141	.279
	.187	7R6639	.358	7R7964	.71	7T8142	.279
	.189	7R6640	.358		.109	7T8202	.399
	.195	7R6641	.358		.111		.400
	.197	7R6642	.358		.113		.403
	.275	7R6643	.358		.115		.404
	.285	7R6645	.358		.165	7U7791	.421
	.295	7R6728	.259		.267	7V5190	.469
	.339		.261		.269	7V5626	.69
	.343.03		.349		.272	7V5627	.83
	.345	7R7407	.349		.289	7V5628	.69
	.351	7R7906	.272		.341		.75
	.371	7R7908	.341		.343		.272
	.391		.343		.343.05		.285
7M8592	.218		.343.05		.343.07		.289
7M9910	.127		.343.07		.345		.339
7M9941	.279		.351		.451		.341
7N0060	.163	7R7938	.343	7R7965	.267		.343
7N0060	.163		.343.07		.271		.343.05
7N0140	.131	7R7939	.75	7R8275	.349		.343.07
7N2044	.71		.77	7R8439	.109		.351
7N2059	.131		.197		.111	7V6089	.75
7N5274	.165		.285		.113		.285
	.177		.343.03		.115		.289
	.181	7R7940	.285	7S1197	.153		.339
7N5683	.20	7R7941	.59	7S1201	.418	7V6234	.195
7N5876	.9	7R7942	.69	7S3916	.353		.197
	.431		.170	7S3919	.353		.198
	.433		.267	7S4338	.153		.285
7N7779	.151	7R7944	.83	7S4994	.101		.351
	.299	7R7945	.127	7S5757	.437	7V6659	.71
	.300	7R7951	.59	7S6369	.96		.72
	.396		.75	7S7399	.362		.341
7N7780	.151		.77	7S7399	.362		.343.05
	.299		.197	7S7680	.93		.407
	.300		.285	7T0020	.449	7W2398	.54
	.396		.343	7T0582	.446.01	7W3773	.43
7N8421	.277		.343.03	7T0969	.173	7W3780	.86
7N9021	.132		.343.07	7T1099	.127	7W3871	.24
7N9023	.132		.343.07		.151	7W3872	.24
7N9737	.151	7R7952	.69		.377	7W4137	.19
	.299		.170	7T3267	.147	7W5095	.31

PART NUMBER INDEX

NUMBER	PAGE	NUMBER	PAGE	NUMBER	PAGE	NUMBER	PAGE
7W5340	.53		423	7X7729	.307	8C4120	.9
7W6492	.80		425	7X7463	.203.01		423
7W7383	.120	7X0562	.147	7X7655	.111	8C4427	.229
7W9028	.51	7X0578	.93		115		233
7W9395	.24		.97	7X7662	.435	8C4428	.127
7W9415	.42	7X0579	.101	7X7729	.225		223
7W9737	.32	7X0590	.234		.229		233
7W9738	.32	7X0599	.296		.252		425
7W9740	.32	7X0620	.184		.329	8C4436	.84
7W9930	.32	7X0623	.443		.423		.149
7X0264	.59	7X0871	.409		.456		.290
	.75	7X0873	.75	7X7730	.36		.366
	.77	7X1078	.131	7X7877	.169		.399
	.197	7X1437	.285		.170		.400
	.285	7X1449	.195	7X7915	.435		.412
	.343	7X1450	.195		.437	8C4586	.429
	.343.03	7X2031	.192	7X7945	.341	8C5607	.144
	.343.07	7X2444	.267		.343	8C5608	.144
7X0265	.69		.351		.343.05	8C6358	.133
	.170	7X2470	.339		.343.07	8C6561	.75
	.181		.343.03	7X9232	.373		.109
	.267	7X2475	.223	7X9294	.371		.111
7X0266	.69	7X2501	.229	7Y1103	.91		.113
	.181	7X2532	.46	7Y2522	.127		.115
7X0292	.421	7X2536	.167	7Y3173	.151		.165
	.423	7X2537	.265	7Y7388	.127		.267
7X0296	.421	7X2543	.229	7Y7992	.307		.269
7X0312	.415	7X2553	.221	7Y8169	.179		.271
7X0317	.296	7X2555	.230				.272
7X0325	.275		.325	8			.337
7X0326	.415	7X2556	.459	8B2327	.207		.341
7X0328	.275	7X2558	.416	8B2377	.382		.343
7X0340	.149	7X2564	.223		.384		.343.01
7X0368	.324	7X2567	.459		.471		.343.05
7X0370	.324	7X2568	.223	8B4338	.471		.343.07
7X0379	.403	7X2577	.459	8B6343	.239		.347
	.404	7X2621	.181		.241	8C6711	.185
7X0440	.69	7X3319	.89	8B7614	.251	8C6738	.471
	.71		.253	8C0378	.431	8C6857	.325
	.72	7X3347	.36		.433	8C6865	.259
	.267	7X3373	.147	8C0596	.149		.261
	.337	7X3393	.421		.179		.347
	.341		.423		.181		.349
	.343.01		.425		.183	8C6866	.111
	.343.05	7X4744	.118	8C3055	.179		.115
	.345	7X4818	.285		.181	8C6868	.111
	.407	7X5308	.75		.183		.115
7X0447	.423		.195	8C3309	.287	8C6877	.287
	.425		.319	8C3364	.51	8C7323	.216
7X0448	.149		.341	8C3417	.351	8C7581	.173
	.427		.343	8C3445	.51	8C8436	.403
7X0474	.163		.343.05	8C3446	.51		.404
7X0492	.347		.343.07		.331	8C8451	.144
	.349		.474	8C3447	.331		.429
7X0510	.46		.475	8C3655	.147	8C8457	.429
7X0517	.127	7X5448	.373	8C3798	.425	8C8514	.153
7X0546	.421	7X6315	.135		.445	8C8585	.127

PART NUMBER INDEX

NUMBER	PAGE	NUMBER	PAGE	NUMBER	PAGE	NUMBER	PAGE
8C8843	.399		.400	8M2770	.91	8P7904	.203.01
	.400	8E6817	.459	8M2772	.283	8P8209	.362
8C8988	.409	8E7364	.435	8M4409	.218	8P8550	.211
8C8989	.337	8E7926	.265	8M4432	.189	8P8552	.207
	.341	8E7927	.265	8M4445	.62	8P8553	.207
	.343	8E8301	.203	8M4446	.215	8P8555	.207
	.343.01	8E8305	.203		.217	8P8560	.207
	.343.05	8E8307	.203.01	8M4986	.190	8P8565	.207
	.343.07		.277		.215	8P8567	.207
8C9006	.131		.279		.218	8P8569	.207
8C9144	.259	8E8310	.203		.296	8P8677	.207
	.261		.277	8M4987	.187	8P8700	.211
8C9160	.312	8E8337	.265	8M4988	.187	8P8701	.211
8C9648	.192	8E8439	.215		.190	8P8702	.211
8C9649	.192	8E9060	.189	8M5010	.203	8P8759	.207
8C9660	.161	8E9378	.399	8M5127	.215	8P9111	.211
8C9987	.300		.400		.296	8P9507	.203
	.438	8E9379	.399	8M5249	.217	8P9714	.207
8D1817	.280		.400	8M5254	.362	8P9715	.207
8D1819	.280	8F0212	.383	8M5255	.203.01	8P9738	.215
8D2459	.277	8F1434	.140	8M5661	.203	8P9770	.403
	.279		.141	8M5860	.34		.404
8D3508	.275		.147	8M8489	.362	8P9785	.220
8D4336	.403		.154	8N0869	.165	8Q2667	.397
	.404		.184		.177	8Q2668	.397
8D8256	.397	8F3437	.153		.179	8Q2669	.397
8D9739	.203.01		.165		.181	8Q2670	.397
8E0758	.215	8F3469	.377		.183	8Q2778	.425
8E1370	.437	8F8151	.71	8N1725	.165	8R1876	.469
8E1519	.403	8F8997	.52		.181	8R1877	.469
	.404	8F9206	.368	8N4173	.215	8R1878	.469
8E2060	.399	8F9516	.211	8N4617	.94	8R1879	.469
	.400	8G4659	.435	8N5083	.310	8R1883	.469
8E2735	.412	8G7898	.454	8P0953	.207	8R1884	.469
8E2736	.412	8H0707	.383	8P1636	.207	8R2972	.305
8E2737	.398	8H1141	.147	8P1914	.203		.306
	.412	8H1728	.452	8P1919	.203	8R3393	.446
8E3077	.190	8H2762	.251	8P1948	.203	8R4519	.469
8E3098	.209	8H3127	.425.01	8P1964	.203.01	8R4750	.438
8E4147	.433	8H3710	.103	8P2019	.203	8R7097	.438
8E4148	.433	8H5303	.153		.203.01	8R9006	.251
8E4260	.163		.165	8P2022	.203	8S3373	.207
8E4592	.215	8H5352	.203		.203.01	8S3521	.207
8E5962	.435	8H7521	.51	8P2023	.203.01	8S4739	.357
8E6208	.399	8H9513	.217	8P2043	.203	8S4740	.363
	.400	8J4452	.215	8P2051	.203	8S4790	.469
	.403	8J6273	.383	8P4764	.189	8S5383	.427
	.404	8J6704	.203.01	8P6321	.219	8S5575	.189
8E6209	.399	8J8489	.403	8P7857	.207	8S7803	.189
	.400		.404	8P7858	.207	8S7941	.454
	.403	8K5271	.247	8P7888	.203	8S9130	.209
	.404		.249	8P7890	.203	8T0075	.269
8E6221	.403	8L5922	.189	8P7895	.203.01	8T0100	.23
	.404	8L7971	.283	8P7896	.203.01		.29.01
8E6222	.403	8L8413	.170	8P7897	.203.01		.96
	.404	8M1013	.219	8P7898	.203.01		.121
8E6234	.399	8M2538	.218	8P7899	.203.01	8T0193	.101

PART NUMBER INDEX

NUMBER	PAGE	NUMBER	PAGE	NUMBER	PAGE	NUMBER	PAGE
8T0269	.83		229		261		93
	.361		329		265		165
	.373		391		298		223
8T0271	.239		438		328		225
	.241		464		329		227
	.247	8T3518	.133		330		229
	.249	8T3597	.229		355		265
	.255		234		356		307
	.257	8T3612	.33		367		328
8T0276	.51		105		377		329
8T0277	.298		431		391		330
8T0288	.140		438		392		355
	.141	8T3666	.43		427		392
8T0292	.99	8T3848	.425		431		423
	.116	8T3957	.371		433		433
8T0293	.21	8T3991	.191		435		451
8T0328	.132		423		437		456
	.147		435		442	8T4137	.66
	.154		438	8T4122	.83		69
	.165		456		195		71
	.177	8T3993	.425		230		83
8T0337	.138	8T4001	.230		253		131
	.139	8T4121	.30		459		144
	.460		39	8T4123	.46		151
8T0338	.371		48		230		167
8T0389	.427		49		236		173
8T0441	.229		57		307		181
8T0644	.85		59		456		227
8T0788	.105		66	8T4131	.46		259
	.107		69		223		261
8T0859	.475		71	8T4132	.89		367
8T1159	.121		83		223		377
8T1760	.452		91		230		431
8T1904	.247		93		416		437
	.249		101		427		451
8T2225	.173		123	8T4133	.49	8T4138	.93
	.177		125		69		151
8T2229	.381		131		71		447
8T2353	.57		138		93	8T4139	.33
	.330		139		97		.90
8T2360	.382		144		101		120
	.383		149		123		239
	.384		151		125		241
8T2361	.382		163		138		247
	.383		165		139		249
	.384		167		144		255
8T2502	.452		173		173		257
8T2561	.451		175		229		265
8T2659	.169		181		242		459
	.191		201		427	8T4140	.223
	.225		223		435		239
8T3282	.35		225		443		241
8T3490	.83		227		451		247
	.93		229		466		249
	.144		242	8T4136	.39		255
	.165		245		.59		257
	.227		259		.83		259

PART NUMBER INDEX

NUMBER	PAGE	NUMBER	PAGE	NUMBER	PAGE	NUMBER	PAGE
.....	261	446	456	151
.....	427	8T4192	127	8T4223	33	161
8T4141	230	234	46	167
.....	456	355	83	191
8T4149	77	377	84	223
8T4167	230	8T4193	127	90	233
.....	459	149	127	239
8T4171	65	230	149	241
.....	423	277	173	265
.....	425	279	177	297
.....	429	416	179	393
.....	445	8T4195	49	183	431
.....	455	57	200	437
8T4172	265	71	216	460
8T4173	89	93	234	462
8T4175	459	97	235	463
8T4179	259	149	239	470
.....	261	165	241	8T4226	275
.....	407	201	247	8T4244	291
8T4182	259	227	249	435
.....	261	242	255	8T4647	127
.....	298	252	257	169
8T4183	127	259	259	170
.....	317	261	261	191
.....	321	295	265	8T4648	252
.....	323	391	275	8T4649	459
.....	326	435	285	8T4747	445
8T4184	285	437	287	8T4766	435
.....	287	454	290	8T4778	325
8T4185	93	8T4196	36	291	8T4779	302
.....	101	57	317	303
.....	181	245	321	304
.....	225	295	323	8T4835	277
.....	295	8T4198	173	326	415
8T4186	48	356	353	8T4896	69
.....	59	8T4199	438	355	89
.....	123	8T4200	33	366	142
.....	125	69	403	143
.....	131	101	404	187
.....	391	148	405	216
.....	427	149	407	227
.....	435	161	427	233
.....	437	167	459	275
.....	464	239	8T4224	23	291
8T4189	36	241	29.01	353
.....	101	460	33	8T4908	49
.....	131	8T4205	65	36	90
.....	149	132	69	8T4910	216
.....	151	147	72	291
.....	431	151	90	296
.....	438	153	101	8T4956	89
.....	463	191	117	234
8T4191	69	429	120	8T4958	315
.....	91	447	127	8T4970	167
.....	367	455	135	8T4985	93
.....	435	460	148	8T4986	93
.....	442	8T4222	423	149	97

PART NUMBER INDEX

NUMBER	PAGE	NUMBER	PAGE	NUMBER	PAGE	NUMBER	PAGE
8T4994	.200	8T6762	.80	8T8911	.285	9C2177	.469
	.324	8T6765	.24		.337	9D2867	.431
	.325	8T6767	.80		.343.01	9D2868	.431
8T5030	.35	8T6868	.46		.407		.433
8T5043	.107		.235	8T8917	.415	9D3127	.431
	.109		.317	8T8928	.158		.433
8T5346	.165	8T6869	.297	8T9364	.153	9D3721	.431
	.179	8T6870	.135		.366		.433
	.181		.393		.472	9D3767	.438
	.183	8T6912	.120	8T9368	.446.01	9D5941	.259
8T5360	.287	8T6988	.79	8T9381	.469		.261
	.296	8T7044	.98	8T9384	.353	9D6093	.265
8T5361	.473	8T7338	.265	8T9393	.195	9D6583	.236
8T5372	.429	8T7547	.36	8T9398	.403		.255
8T5383	.425		.117		.404		.257
8T5391	.65		.423	8T9534	.373		.259
	.425		.437	8T9655	.135		.261
8T5429	.285		.462	8T9762	.132	9D7884	.215
	.339	8T8442	.40	8T9884	.147	9D9118	.265
	.341	8T8566	.147	8V0408	.285	9D9121	.265
	.343	8T8569	.147		.289	9D9161	.431
	.343.03	8T8729	.131	8V0409	.195		.433
	.343.05		.140	8V5718	.345	9F1399	.280
	.343.07		.141	8V5719	.195	9F1847	.203.01
	.409		.145	8W0976	.191	9F2247	.147
	.411		.151	8W4523	.403		.368
8T5436	.427		.153		.404	9F2547	.147
8T5439	.223		.154	8W6649	.197	9F3788	.207
	.245		.157	8X8377	.277	9F4446	.313
	.252		.161		.279	9F5644	.153
8T5460	.307		.167	8Y0034	.438		.165
8T5461	.445		.173	8Y3664	.469	9F6445	.438
8T5668	.312		.175	8Y5737	.429	9F8125	.153
	.313		.177	8Y6385	.425	9G0003	.163
8T5878	.230		.179	8Y6386	.445	9G0004	.163
8T6338	.341		.184	8Y6388	.423	9G0011	.162
	.343		.191	8Y6980	.471		.431
	.343.05		.418	8Y6981	.471	9G0280	.203
	.343.07	8T8730	.138	8Y6982	.471		.203.01
8T6430	.236		.139	8Y6983	.471	9G0281	.203
	.239		.151	8Y7386	.317		.203.01
	.241		.153		.321	9G0398	.429
	.252		.157		.323	9G1950	.429
8T6431	.435		.184		.459	9G2778	.443
8T6466	.93	8T8737	.429	8Y8017	.445	9G3695	.145
	.451	8T8799	.177		.472	9G5127	.187
8T6631	.429		.184			9G5301	.219
8T6684	.69	8T8806	.297			9G5343	.245
	.79	8T8887	.121			9G6966	.220
8T6693	.165	8T8899	.195			9G7197	.203.01
	.177		.351	9B2596	.94	9G7351	.189
8T6696	.341	8T8902	.107	9B7233	.132	9G7353	.189
	.343		.267		.151	9G8020	.203.01
	.343.05	8T8908	.153		.153	9G8909	.177
	.343.07		.229		.165	9G9150	.189
8T6703	.69		.233		.173		.215
8T6757	.412		.460		.431		.215
					.433	9G9152	.181

9

PART NUMBER INDEX

NUMBER	PAGE	NUMBER	PAGE	NUMBER	PAGE	NUMBER	PAGE
	183	9M4814	71	9S2009	132		378
9G9154	181	9M4849	54	9S2013	132		387
9G9882	151	9M5024	415	9S2302	132	9S8005	80
9H2082	153	9M5775	163	9S2390	132		86
	165		165	9S2544	132		99
9H5322	203.01	9M5884	227	9S4181	187		149
9H6454	275		229		189		189
	327	9M7394	327	9S4182	36		265
9H9849	277	9M7609	147		157		377
	279	9M8406	181		332		387
9H9850	277		351	9S4185	36	9S8006	366
	279		407		259		382
9J0398	310	9N0869	47		261		383
	311		135		295		384
9J1330	215		189		312	9S8007	193
9J3047	275	9N0942	132	9S4188	51	9S8008	21
	327	9N0943	132	9S4190	218		41
9J7964	311	9N1595	71	9S4191	107		85
9K2721	281	9N3388	132		111		215
9L1080	149	9N3832	42		113		319
9L1127	9	9N7446	169		115		361
	149	9P0656	215		187		373
9L1128	149	9P0683	215		209	9S8752	187
9L6770	132	9P1478	279		259	9S9334	99
9L6776	132	9P2203	187		261	9T0657	388
9L7669	42	9P2347	219		265	9T0822	383
9L9188	51	9P2348	219		361	9T0825	383
9L9814	465	9P2944	277		371	9T0874	382
9L9850	421		279	9S4693	153		384
9M1328	312	9P3041	219	9S5279	280	9T3826	383
	313	9P4878	207	9S8001	191	9T3965	310
	314	9P7072	277		215	9T4977	310
	315	9P7121	127	9S8002	35	9T4978	310
9M1974	24	9P7390	203		118	9T5916	9
	29	9P7849	403		259		331
	30		404		261	9T6148	301
	37	9P8517	187		371		319
	41	9P9388	453		373	9T6694	388
	49	9P9390	453		380	9T6695	378
	51	9P9392	453		387		388
	53		461		397	9T6697	378
	54	9P9650	189		415		379
	60	9R2821	149	9S8003	35		383
	80	9R3924	83		215	9T7188	301
	86	9R5271	165		239	9T7303	469
	96		230		241	9T7347	309
	105		291		245	9T9182	378
	107		377		251		384
	116		431		380		394
	121	9R8538	425		387	9T9183	378
	157			9S8004	41		382
	189	9S0671	339		190		383
	215		341		215		384
	220		343		295		388
9M2904	48		343.05		361		391
9M4355	203.01		343.07		371	9T9276	311
9M4594	48	9S1354	253		373	9T9557	311

PART NUMBER INDEX

NUMBER	PAGE	NUMBER	PAGE	NUMBER	PAGE	NUMBER	PAGE
.....	401	9W9831219	139	325
9T9562311	9W993146	9X4244138	416
9U9338189	9W995389	139	427
.....	193	9W9982279	9X44939	437
.....	396	9X0262157	140	9X826051
9U9361193	9X0941149	141	9X8267105
9U9363190	9X1046183	9X4824147	9X8277465
9U9366193	225	9X5535185	9X8408345
9U9368190	9X1386153	9X6165144	9X8486151
9U9371189	157	9X6574259	9X8498429
9U9372190	167	261	9X891621
9U9373193	9X14399	9X71699	9X9511147
9U9374193	138	139	9X9730163
9U9491188	144	144	9X9882167
.....	189	9X1484185	9X7264315	9Y483219
.....	190	9X1813151	9X7279315	9Y884834
.....	192	157	9X7381429	9Y9236275
.....	193	9X1878477	9X7382429		
.....	212	9X2026192	9X7385426		
.....	220	9X2027239	9X7413299		
9U9633189	241	9X771299	003214371
9U9660203	247	9X7740187	003951471
9V3043469	249	9X7743211	0045933111
9V6754469	255	9X77989	115
9V7943469	257	139	0060210475
9V8177469	9X2044429	9X7803132	0062884418
9V8178469	9X209724	149	008838185
9W0742133	9X209829.01	9X825689	0271287281
.....	181	9X2185429	93	0302010154
9W0844429	9X2206127	142	0302135277
9W0852151	9X230532	143	279
.....	429	9X2348269	151	0304605371
9W1569279	9X2349195	167	0304606275
9W1570279	9X2350195	229	377
9W1571277	9X2352195	251	0321267283
9W2489173	197	285	0321268283
.....	177	9X2480478	285	0335853116
9W3086190	9X2500132	9X825789	0336027371
9W3087190	9X3266425.01	149	0336028185
9W3089190	9X3455138	221	0336033387
9W3937277	139	223	0336036299
9W3939277	9X34639	230	396
9W3940279	138	239	0336039185
9W5567219	139	241	033604299
9W5568219	9X3580259	247	0340707239
9W6102277	261	249	241
9W6103277	9X3757269	255	03667759
9W6374189	9X3758195	257	29
9W6375189	9X3760195	259	0531720473
9W6376189	197	261	0541303251
9W658246	9X3776197	265	0617540218
9W658446	9X3779269	277	061945523
9W6964215	9X3783195	279	0673161203
9W7410215	9X3791195	302	067783279
9W7481279	9X41749	303	197
9W8529203.01	138	304	285
9W8530203.01	9X4243138	319	391

0

PART NUMBER INDEX

NUMBER	PAGE	NUMBER	PAGE	NUMBER	PAGE	NUMBER	PAGE
0688093	.203	1014135	.415	1060735	.157	1106109	.433
0692535	.305	1014540	.17	1060739	.157	1106393	.477
	.306		.32	1065505	.418	1107618	.24
	.309	1014575	.16	1067687	.132		.105
0773159	.363		.37	1067688	.132	1108457	.167
0775200	.377	1017919	.289	1067689	.132	1108652	.89
0776722	.363	1017938	.351	1067690	.132	1110343	.299
0776723	.363	1018375	.90	1067799	.277		.300
0778353	.373	1019222	.341	1068704	.175		.396
0780163	.363		.343.05		.184	1113402	.187
0780164	.363	1022423	.465	1071228	.120	1119110	.309
0908865	.127		.466		.121	1119730	.354
0982938	.358		.468		.185	1119870	.437
0983486	.363		.469	1075896	.371	1119871	.437
		1026305	.69	1077566	.42	1119873	.435
		1028801	.151	1077602	.26	1119876	.437
		1028802	.131	1077604	.20	1119879	.435
			.154	1077630	.42	1119887	.435
			.191	1077694	.22	1119888	.435
			.429	1077701	.86	1119890	.437
		1028803	.154	1077708	.26	1119891	.437
		1028804	.140	1077808	.116	1119892	.435
			.141	1077809	.22	1119894	.437
			.418	1078611	.299	1119895	.435
		1028805	.145	1078618	.157	1119896	.435
			.151	1079476	.157	1121869	.437
			.429	1080358	.151	1123632	.203
		1028806	.161	1082576	.239	1124550	.157
		1028807	.138		.241	1124735	.151
			.139	1082694	.251	1125345	.445
			.151	1082779	.251	1125495	.281
			.429	1085225	.120		.291
		1028812	.151	1085803	.157	1126521	.107
			.429	1087808	.148	1126523	.107
		1028813	.157	1087829	.466	1126646	.167
		1031261	.368	1087879	.473	1128370	.191
		1035796	.431	1089397	.466	1128372	.229
		1036262	.151	1089656	.343.03	1129401	.122
		1036263	.418	1090741	.71		.124
		1045253	.431	1091482	.127	1129439	.195
		1045958	.471	1092975	.287	1129565	.429
		1046456	.477	1093036	.300	1130302	.429
		1048626	.269	1093262	.343	1130303	.429
		1051457	.431		.343.07	1130306	.429
		1051725	.26	1094326	.120	1131034	.361
		1051792	.17	1094327	.120	1134799	.463
			.116	1095165	.371	1136087	.17
		1051797	.167	1095166	.371		.26
		1051803	.17	1095187	.341	1136091	.116
			.22		.343	1136135	.116
		1051805	.60		.343.05	1136170	.59
		1053039	.403		.343.07	1136180	.34
			.404	1096925	.300	1136200	.98
		1053763	.132	1096026	.300	1136250	.99
		1053764	.132	1096027	.300	1136303	.116
		1056117	.418	1100514	.179	1143140	.429
		1056118	.418	1101986	.195	1145333	.154

1

PART NUMBER INDEX

NUMBER	PAGE	NUMBER	PAGE	NUMBER	PAGE	NUMBER	PAGE
1148718	.119	1179364	.151	1209071	.455		.202
1151153	.437	1179987	.189	1209288	.190		.203
1153837	.326	1180275	.120	1210307	.51		.203.00
1153987	.269	1181727	.16	1210628	.295		.203.01
1154078	.17		.22.01	1212094	.17		.204
	.34	1183529	.217		.118		.212
	.35	1183531	.217	1212569	.103	1228650	.239
1154083	.42		.296	1213033	.319		.241
1154120	.45	1183534	.153	1213991	.477		.247
1154144	.98	1183619	.28	1214328	.16		.249
1154180	.19	1184329	.24		.85		.255
	.40	1185044	.429		.86		.257
1154192	.19	1185046	.429	1214480	.122	1228811	.222
1154193	.19	1185426	.470		.124		.476
1154202	.9	1186804	.15	1219434	.421		.477
	.41		.310	1219799	.103	1228947	.16
1154204	.29		.311	1221010	.425		.135
1154208	.16		.326	1221012	.441	1229764	.421
	.28		.398	1221045	.423		.423
1156433	.127		.401		.445	1230542	.373
	.377	1187284	.16		.472	1231199	.185
1157417	.361		.137	1225053	.120	1232151	.269
1157418	.361	1188118	.122		.185	1233132	.185
1159962	.465		.124	1226456	.329	1234576	.371
	.468	1188119	.122		.331	1234590	.301
	.469		.124	1226867	.343.05	1234591	.301
1160118	.153	1189464	.190		.343.07	1234592	.301
	.175	1189674	.435	1246871	.478	1234593	.301
	.184	1192924	.60	1226873	.51	1234594	.301
	.191		.61	1226877	.190	1234598	.301
1162116	.465	1192940	.9	1226887	.341	1234620	.301
1162117	.465		.25		.343	1236305	.127
1162118	.465	1192942	.54	1226890	.339	1236449	.173
1162119	.465	1192962	.25		.341	1239431	.463
1162120	.465	1193025	.86		.343	1241891	.475
1162121	.465	1193036	.34		.343.03	1242015	.75
1162123	.469	1193061	.34		.343.05	1242053	.195
1162124	.469	1193066	.34		.343.07		.197
1162125	.469		.35	1227344	.433	1242078	.195
1162126	.469	1193075	.9	1228638	.18		.197
1164684	.431		.80		.46		.198
1165270	.9	1194142	.157	1228643	.204	1242101	.197
	.433	1194341	.189		.205	1242102	.197
1165274	.433	1194345	.189	1228644	.201	1242111	.111
1165275	.433	1194347	.190		.206		.115
1166565	.433	1194348	.189		.207		.341
1167150	.119	1196764	.105		.208		.343
1170021	.465	1197001	.17		.209		.343.05
1171385	.157		.119		.210		.343.07
1171678	.17	1197316	.190		.211		.347
	.99	1197697	.195		.218		.349
1175993	.190	1197919	.387		.364	1242113	.341
1177777	.319	1198096	.190	1228646	.186		.343
1177778	.319	1206657	.16		.187		.343.05
1177791	.121		.29		.188		.343.07
1177826	.203.01	1208402	.85		.189	1242114	.109
1179081	.153		.86		.190		.111

PART NUMBER INDEX

NUMBER	PAGE	NUMBER	PAGE	NUMBER	PAGE	NUMBER	PAGE
.....	113	1243628296	320	1245853324
.....	115	1243629101	321	349
1242117339	1243630245	1243901262	1245855325
.....	341	1243840250	314	347
.....	343	251	322	1245856136
.....	.343.03	262	323	170
.....	.343.05	1243842262	124390383	1245857136
.....	.343.07	305	357	150
1242119478	312	1244212277	151
124212451	316	1244214277	1245979277
1242128347	317	1244215277	279
.....	349	1243843312	1244216277	1245980280
1242130109	317	1244218277	1245981280
.....	113	1243844313	1244219277	1245982203.01
1242132339	319	1244221279	1245985280
.....	343	1243847262	1244222280	1245986279
.....	.343.03	301	1244225280	1245987277
.....	.343.07	313	1244288287	1245988279
124213351	318	1244622315	1245989280
1242140111	319	326	1245990280
.....	115	1243848314	124462384	124606889
.....	347	321	363	1246142198
.....	349	323	1244624355	1246143195
1242142341	1243851259	386	197
.....	343	261	387	124632089
.....	.343.05	1243852197	1245269202	124653489
.....	.343.07	1243856409	203	1246889330
1242144109	1243857353	203.00	1247025222
.....	111	1243858259	203.01	230
.....	113	261	212	1247228239
.....	115	1243859405	1245270203.01	241
1242147339	124386070	1245271203.01	247
.....	341	71	1245842136	249
.....	343	72	163	255
.....	.343.03	461	1245844133	257
.....	.343.05	1243861451	136	1247229239
.....	.343.07	1243863409	174	241
124215551	1243864409	175	247
124215651	1243866345	176	249
1242158349	353	177	255
1242162341	1243868291	178	257
.....	343	370	179	124833299
.....	.343.05	371	180	1248494429
.....	.343.07	372	181	1248495429
1243545105	373	182	124853769
1243600303	1243869405	183	124853893
.....	304	409	184	1248542451
1243601302	1243872451	1245847324	124854489
1243605290	1243873409	325	1248694277
.....	360	1243874409	334	279
.....	361	1243875409	346	1248830230
124360895	1243876409	347	1249026197
.....	101	1243879227	348	1249030195
1243611328	1243884353	349	1249031195
.....	330	1243888451	1245848136	1249035197
.....	332	1243900262	168	1249036197
1243627216	314	169	124903779

PART NUMBER INDEX

NUMBER	PAGE	NUMBER	PAGE	NUMBER	PAGE	NUMBER	PAGE
1249038	.83		.343.07		.334	1274836	.35
1249039	.259	1261757	.23	1266575	.341	1275750	.195
	.261	1265830	.18		.343	1278841	.22
1249404	.362		.426		.343.05	1279233	.197
1249405	.362		.427		.343.07	1281647	.103
1249406	.362	1265835	.18		.392	1281648	.103
	.364		.130		.397	1282310	.101
1249407	.211		.131	1266623	.281	1283120	.239
	.362	1265842	.432		.291		.241
	.364		.433		.333		.247
1249677	.277		.461		.370		.249
1249712	.105	1265851	.461		.371	1283121	.239
1249785	.75		.462		.372		.241
1249787	.353		.470		.373		.247
	.405	1265853	.452	1266624	.290		.249
	.409		.461		.333		.255
1250099	.89	1265856	.461		.360		.257
1250103	.403		.473		.361	1284119	.324
	.404		.474	1266625	.329		.325
1250110	.204		.475		.331	1285098	.387
	.244		.478		.333	1286832	.127
	.245		.479	1266626	.330	1287367	.15
1250826	.247	1265857	.315		.332		.16
1250827	.249		.326		.333		.17
1250833	.127		.401	1266628	.198		.22.01
1250839	.247	1265874	.36		.214		.23
	.249	1265931	.16		.215		.24
1250990	.245		.41		.216		.25
1250991	.245	1266555	.334	1266629	.195		.28
1251297	.199		.405		.217		.29
1252976	.425.01	1266556	.334		.296		.29.01
1253296	.116		.393	1266637	.373		.30
1255408	.225		.406	1266638	.371		.31
1255466	.103		.407	1266640	.371		.36
1255578	.18		.408	1266641	.373		.37
	.88		.409	1267088	.275		.39
	.89	1266557	.334	1267090	.275		.41
	.90		.352	1267574	.135		.43
	.253		.353	1267896	.158		.44
1255579	.89	1266559	.334		.191		.48
	.90		.350	1268176	.279		.50
1255636	.185		.351	1268177	.277		.51
1256796	.195	1266565	.302	1268178	.280		.53
1257126	.127		.309	1268179	.277		.54
1257875	.173		.334		.279		.62
1258819	.417	1266566	.303	1268292	.206		.80
	.454		.305		.207		.85
1260458	.16		.334		.211		.96
	.104	1266567	.334	1269404	.279		.98
	.105		.366	1270813	.190		.104
	.106		.368	1271487	.277		.105
	.107	1266569	.334	1271489	.277		.106
	.128		.378	1271491	.277		.107
1260480	.19		.390	1274471	.80		.135
1260529	.35		.391	1274678	.211		.137
1260555	.277	1266570	.328	1274679	.211		.156
1260584	.343		.332	1274682	.211		.157

PART NUMBER INDEX

NUMBER	PAGE	NUMBER	PAGE	NUMBER	PAGE	NUMBER	PAGE
.....	166	377	306	27
.....	167	1302969	418	1309433	83	1331348	16
1287710	265	462	1309748	127	48
1288614	122	470	1311223	438	1331349	48
.....	124	1303256	83	1311224	191	1331372	399
1291163	21	1303276	144	1311225	191	400
1291164	20	1303277	144	1311845	120	1331375	399
.....	21	1303313	423	1312296	52	400
1291165	17	425	1312614	187	403
.....	20	1303565	9	1312624	287	404
.....	21	140	297	1331377	399
1291326	265	141	300	400
1291327	265	1304550	111	1312803	247	403
1291328	265	115	249	404
1291329	265	117	1312804	247	1331379	399
1291902	265	1304551	349	249	400
1291909	205	365	1312805	251	1333221	102
1293013	93	367	1312806	251	103
1293016	304	1304552	56	1312807	236	1334043	403
.....	306	1304629	207	1312808	236	404
.....	334	1304790	283	1312965	477	1334255	398
1293062	149	1304791	283	1312966	477	402
1293063	427	1304792	283	1312967	191	403
1293178	184	1304793	283	1313714	425	404
1293180	252	1304796	283	1314091	203	1334969	17
1293283	329	1304797	282	1314257	131	102
1294000	93	283	1314725	183	103
1295620	247	292	1314726	179	1334983	42
.....	249	1305230	90	181	1335037	34
1299252	398	1305231	90	1314748	27	1339118	209
.....	399	1305620	189	1314858	317	1339346	153
.....	400	1305645	283	1316007	189	1340309	391
1300466	291	1305646	283	1316511	409	1341286	127
1300966	120	1305647	283	1317115	445	1341343	280
1302383	247	1305648	283	1317133	445	1341824	373
.....	249	1306023	421	1318119	391	1341825	373
1302384	247	1306433	101	1321204	407	1341827	371
.....	249	1306671	275	1321207	393	1341828	371
1302385	259	1306901	191	395	1341829	371
.....	261	1307076	191	409	1341830	371
1302387	317	1307416	274	1324498	434	1341832	373
1302390	319	275	435	1341835	371
1302595	199	292	436	1341836	371
.....	204	1307618	275	437	1341838	371
.....	292	1308957	445	461	1341839	371
1302784	149	471	1325242	37	1341934	421
1302785	89	472	1325246	42	1341935	9
.....	459	1309004	34	1325788	421	421
1302787	191	1309024	327	1326697	373	1342617	351
1302788	438	1309164	247	1327081	161	1343203	93
1302789	18	249	1327082	161	101
.....	132	1309165	251	1327083	161	1344408	33
.....	149	1309169	236	1327466	89	1344425	267
1302790	149	1309240	303	1330953	357	271
1302868	438	305	363	1344426	409
1302870	83	317	1330955	357	1346748	140
1302965	327	1309241	304	1331345	17	141

PART NUMBER INDEX

NUMBER	PAGE	NUMBER	PAGE	NUMBER	PAGE	NUMBER	PAGE
1346750	.140	1367813	.207	1402400	.151		.32
	.141	1368623	.365	1402401	.477		.35
1347258	.477	1368888	.16	1402961	.463		.40
1350338	.373		.23	1402962	.463		.42
1350385	.407	1371569	.131	1402963	.463		.45
1351821	.69	1373504	.105	1403051	.17		.47
1353798	.69	1374475	.272		.45		.99
1353799	.69	1374629	.477	1403540	.157		.102
1353800	.69	1374919	.189	1407372	.34		.116
1353801	.69		.219	1409336	.425		.118
1355049	.235		.220	1409339	.421		.119
1355193	.464	1374923	.219	1416348	.98		.121
1355194	.464	1374925	.219	1416655	.134	1421456	.265
1355195	.464		.220		.461	1421648	.265
1355970	.42	1375175	.409	1416961	.127	1422051	.265
1355973	.116	1377562	.354	1417420	.257	1423352	.265
1355980	.116		.356	1417421	.255	1423353	.265
1355985	.121	1377581	.295	1418030	.191	1425110	.417
1356807	.442	1377588	.253	1418133	.239		.464
1357462	.294	1378082	.89	1418134	.241	1425113	.417
	.295		.253	1418135	.239		.442
	.298	1378676	.471		.241	1426022	.421
1357464	.295	1378677	.471	1418267	.16		.423
1357465	.295	1378678	.471		.39		.441
1357469	.295	1378679	.471	1418287	.128		.443
1357471	.295	1379849	.217	1418288	.107	1426023	.421
1357472	.295	1382037	.356		.128	1426024	.423
1357473	.295	1382038	.356	1418466	.189		.425
1357475	.295	1387035	.223	1418605	.300		.445
1357476	.295	1387487	.105	1419203	.229	1426025	.421
1357477	.295	1388046	.15	1419986	.265		.423
1357478	.295	1388051	.15	1419987	.265	1426027	.421
1357479	.295	1389936	.111	1419988	.265		.471
1357482	.295		.115	1419989	.236		.472
1357483	.295	1393526	.23		.264	1426028	.421
1358013	.477	1393839	.173		.265		.444
1358740	.367	1393840	.175	1420065	.238		.445
1358787	.423		.181		.239		.471
	.428	1393841	.179		.262	1426029	.421
	.429		.181	1420067	.254	1426030	.421
1359819	.22.01	1393842	.177		.255	1426031	.421
1359946	.229		.179		.262	1426032	.421
1359947	.229		.181	1420068	.256	1426033	.421
1360819	.34	1393843	.173		.257		.425
1360822	.23	1393844	.173		.262	1426034	.421
1360823	.23	1393845	.170	1420071	.246	1426035	.425
1361127	.101	1393846	.169		.247	1426036	.421
1361145	.18	1393847	.169		.262	1426037	.145
	.95	1393848	.169	1420073	.248		.421
	.100	1393850	.477		.249		.441
	.101	1395516	.181		.262	1426038	.421
1361956	.295	1395517	.177	1420725	.16	1426039	.421
1363939	.18		.181		.17		.425
	.68	1399142	.16		.20	1426040	.421
	.69		.24		.22		.423
1363940	.69	1402398	.153		.26		.425
1365991	.105	1402399	.477		.27		.445

PART NUMBER INDEX

NUMBER	PAGE	NUMBER	PAGE	NUMBER	PAGE	NUMBER	PAGE
1426041	421	1432211	459		247		333
1426042	445	1433693	251		249		334
1426043	423	1433986	259		255		401
	443	1433987	261		257		416
1426044	423	1433991	259	1437934	239		461
1426045	423		261		241	1447163	15
1426046	423	1433992	259		247		18
1426047	423		261		249		33
1426048	423	1435939	230		255		46
1426049	423	1436308	197		257		49
1426050	423	1436403	377	1438302	295		52
1426051	423	1437045	239	1438325	157		56
	439		241	1439953	183		57
1426052	423		247	1439954	179		58
1426053	423		249		181		59
1426054	423		255	1440133	459		68
1426055	425		257	1440178	161		69
1426056	423	1437046	239	1440195	425		82
1426057	423		241	1440367	69		83
1426058	423		247	1442549	345		88
1426059	423		249				89
1426060	443		255	1443016	127		91
1426061	443		257	1443020	127		92
1426062	441	1437047	239	1443440	16		93
1426064	441		241		31		100
1426065	439		247	1443450	35		101
1426066	445		249	1443468	99		130
1426070	445		255	1443484	41		131
1426071	445		257	1444002	460		148
1426072	445	1437316	127	1444025	229		149
1426074	445	1437317	127	1444039	209		427
	472	1437322	127		218	1447164	15
1426075	425	1437323	126	1444284	203		108
1426076	472		127	1444535	229		109
1426077	472		222	1444536	229		110
1426078	472	1437564	377	1444644	396		111
1426123	265	1437620	239	1445260	229		112
1426124	265		241	1445420	417		113
1426125	265	1437778	398		460		114
1427324	299		399	1445632	440		115
	396		400	1445633	431		126
1427585	230		401	1446292	215		127
1427586	230		402		299		222
1427587	230		403	1446293	193		223
1427591	230		404		396		224
1430444	403		412	1446666	327		225
	404	1437782	458		333		226
1430837	236		459		376		227
	262		461		377		228
	264	1437932	239	1447162	15		229
	265		241		16		230
1432033	230		247		18		234
1432037	230		249		67		242
1432171	31		255		136		476
1432208	459		257		204		477
1432209	459	1437933	239		222	1447165	15
1432210	459		241		262		199

PART NUMBER INDEX

NUMBER	PAGE	NUMBER	PAGE	NUMBER	PAGE	NUMBER	PAGE
.....	200	336	136	321
.....	204	337	144	322
.....	205	338	150	323
.....	208	339	151	1447338	120
.....	209	340	152	1447867	66
.....	210	341	153	1447870	225
.....	211	342	154	235
.....	212	343	159	1447886	473
.....	244	343.00	160	1447887	473
.....	245	343.01	161	479
1447166	15	343.02	162	1447890	478
.....	70	343.03	163	479
.....	71	343.04	168	1447924	222
.....	72	343.05	169	224
.....	134	343.06	170	225
.....	191	343.07	172	226
.....	417	344	173	227
.....	420	345	174	232
.....	421	346	175	233
.....	422	347	176	235
.....	423	348	177	1448001	259
.....	424	349	178	261
.....	425	350	179	317
.....	430	351	180	321
.....	431	352	181	323
.....	432	353	182	326
.....	433	355	183	1448002	259
.....	434	366	184	261
.....	435	390	1447210	15	317
.....	436	391	221	321
.....	437	405	236	323
.....	438	406	238	326
.....	450	407	239	1448003	259
.....	451	408	240	261
.....	452	409	241	317
.....	453	410	246	321
.....	456	411	247	323
.....	458	1447168	15	248	326
.....	459	194	249	1448206	225
.....	461	195	250	1448207	225
.....	462	196	251	1448208	227
.....	463	197	252	1448209	225
.....	466	198	254	1448210	225
.....	479	284	255	1448299	211
1447167	15	285	256	1448476	235
.....	266	286	257	1448477	235
.....	267	287	258	1448478	235
.....	268	288	259	1448479	235
.....	269	289	260	1448499	227
.....	270	290	261	1448500	227
.....	271	291	262	1448501	227
.....	272	329	307	1448505	440
.....	302	330	316	1448506	191
.....	303	333	317	440
.....	304	376	318	1448530	416
.....	328	377	319	1448532	417
.....	334	1447169	15	320	455

PART NUMBER INDEX

NUMBER	PAGE	NUMBER	PAGE	NUMBER	PAGE	NUMBER	PAGE
1448533	.222		271		423	1455883	.276
	.242		272		424		.277
1448534	.52		334		425		.278
1448570	.142	1448615	.142		428		.279
	.143	1448616	.143		429		.280
1448596	.15	1449734	.345		439		.292
	.67		354		441	1455885	.277
	.74		356		443		.279
	.75	1449746	.392		444	1455886	.279
	.76		397		445	1456558	.277
	.77	1450006	.89		449	1456635	.332
	.78	1450012	.275		461	1456892	.371
	.79	1450020	.140		472	1456893	.373
	.84		142	1450426	.425.00	1456895	.371
1448599	.67		144		.425.01	1456896	.373
	.84	1450021	.141		438	1456897	.373
	.363		143	1451004	.460	1457243	.252
1448600	.334		144	1451203	.438	1457262	.18
	.344	1450022	.136		151		.52
	.345		138	1452297	.151	1457807	.135
	.356		139	1452298	.151	1458331	.165
1448601	.417		142	1452299	.151		.477
	.447		143	1452390	.403	1458613	.371
	.448		144		404	1458635	.153
	.454	1450071	.18	1452391	.403	1458959	.431
	.455		92		404	1459079	.95
	.460		93	1452392	.399	1459080	.95
	.461		94		403	1459081	.95
	.464		97	1452393	.399	1459453	.89
1448603	.67	1450072	.18		403	1459455	.89
	.74		82	1452413	.146	1459457	.89
	.75		83		147	1459597	.223
	.76		357		148	1460702	.233
	.77		381	1452825	.127	1460704	.227
	.78	1450073	.222		245		.232
	.79		234	1453891	.245		.233
1448605	.284	1450074	.222		245		.233
	.285		223	1453893	.245	1460707	.470
	.286	1450075	.430	1453958	.298	1461740	.295
	.287		431	1454489	.235	1461777	.357
	.288		461	1454916	.361	1461778	.357
	.289	1450076	.158	1455009	.18		.363
	.297		191		91	1461829	.89
	.298		440	1455159	.127	1461830	.227
	.333		461	1455171	.69	1461832	.109
1448607	.334	1450099	.15	1455248	.199		.113
	.355		414		274	1461833	.89
	.386		415		275	1462671	.473
	.387		416		276		.479
1448609	.334	1450157	.91		277	1465026	.315
	.410	1450162	.26		278	1465027	.315
	.411	1450164	.26		279	1465028	.314
1448614	.266	1450168	.26		280	1465029	.314
	.267	1450170	.26		282	1465031	.312
	.268	1450425	.420		283	1465032	.312
	.269		421		292	1465034	.307
	.270		422	1455253	.277		.312
					279		.313

PART NUMBER INDEX

NUMBER	PAGE	NUMBER	PAGE	NUMBER	PAGE	NUMBER	PAGE
.....	314	148095417	1493211197	1503126289
1465631313	120	1493212267	1503129337
1465632313	121	1493213405	343.01
1465695313	1480955121	1493214337	1503130337
1465810314	148135190	343.01	343.01
1465811314	1481886474	1493215337	150313169
1465812314	148270190	343.01	1503594330
1465813314	1483067381	149321657	1503615387
1466824397	1483068381	149321757	1503679161
1466825397	1483069381	1493218109	1508484415
1466826397	1483070381	1493219109	1508485415
1466828397	1483482357	1493220109	1508486415
1467287446.01	148371990	149322475	1508487415
.....	447	148372090	1493225285	1508488415
146814738	148372190	1493226289	1508489415
146964196	148372290	1493227267	1508490415
1470587448	148372390	1493228267	1508491415
1470588448	1484415319	1493233285	1508493415
1470589448	341	1493234355	1508494415
1470590448	343	149351969	1508495415
1470591448	343.05	1495534140	1508496415
1470592448	343.07	142	1508497415
1470638191	478	1495535141	1508498415
1470718127	1485361429	143	1508499415
1470720136	1485362429	1495628299	1508983285
.....	152	1485363429	396	1509141415
.....	153	1487075245	1497927407	1509144415
1470746287	148888218	1501681136	1509146415
.....	294	49	154	1509147415
.....	295	1490283147	1501683136	1509148415
.....	298	1490487365	160	1509149415
1471090229	1490488365	161	1509150415
1471097234	1490525111	1501684161	1509157415
1471100234	115	1501727161	1510456295
1471110234	1490540365	1501742387	15124099
1471479234	1490541365	1501745387	124
1471480234	1490542365	1501747387	1513260417
1471625446	1490543365	1501748387	448
.....	451	1490544365	1501749387	1514928358
1472520365	1490545365	1501750387	415
.....	367	1490546365	1501753387	1514929415
1472912407	1490661415	1501754387	1514930415
1473025358	149112518	1501755387	1514931415
.....	414	146	1501756387	1514932415
.....	415	147	1501757387	1514933415
.....	416	148	1501758387	1514934415
147508886	1492683124	1501759387	1514935415
147521490	125	1501760387	1514936415
1475516448	1492684124	1501761387	1514937415
1477968421	1492685124	1501762387	1515594418
1477977145	149320318	1501763387	1515595418
.....	441	33	1501764387	1515860415
147959217	149320433	150311869	1515861415
.....	42	1493206285	150312093	1517428277
1480757167	1493207285	150312193	1518107417
148076816	149320979	1503123287	446.01
.....	96	1493210197	1503124195	447

PART NUMBER INDEX

NUMBER	PAGE	NUMBER	PAGE	NUMBER	PAGE	NUMBER	PAGE
1519203	.433	1549767	.272	1563436	.478		.343.07
1520798	.131	1549770	.349		.479	1599626	.341
1521221	.227	1549771	.349	1563437	.474		.343
1521255	.354	1549772	.349		.479	1599627	.341
1521256	.354	1549773	.349	1563438	.474		.343
1521355	.269	1549774	.347	1567756	.456		.343.05
1523385	.16	1549775	.347		.461		.343.07
	.166	1549776	.347	1569573	.156	1600201	.356
	.167	1549777	.347	1582236	.167		.474
1523700	.295	1549781	.75	1583537	.317		.475
1523952	.86	1549782	.75		.321	1600202	.356
1524700	.267	1549784	.75		.323	1600821	.255
1525279	.136	1549785	.77		.326		.257
	.162	1549786	.107		.459		.259
1525397	.162		.109	1583538	.255		.261
1525419	.477		.113		.257		.319
1527542	.136	1549787	.109	1583539	.319	1601689	.461
	.172		.113	1583540	.259		.463
	.173	1549788	.107		.261	1602245	.343.03
1528315	.69		.109	1583541	.259	1602700	.351
1528316	.69		.113		.261	1605140	.51
1528317	.69	1549789	.109		.326	1605965	.189
1528351	.297		.113	1583542	.317	1605966	.189
	.300	1549790	.351	1585072	.49	1607531	.229
1536692	.446.01	1549791	.287	1586570	.272	1607596	.267
1536695	.446.01	1549792	.287	1586641	.295	1608027	.77
1536696	.446.01	1549793	.287	1586642	.295	1611426	.418
1538007	.9	1549794	.285	1587677	.69	1614125	.259
	.423	1549795	.285	1590721	.109		.261
1539515	.267	1549796	.285		.113	1614348	.425.00
1540172	.161	1549797	.285	1591569	.461		.425.01
1540868	.267	1549798	.285		.465		.438
1545892	.477	1549799	.285		.466	1616886	.101
1546880	.373	1549800	.285	1592408	.477	1617255	.259
1547192	.16	1549801	.285	1593141	.86		.261
	.29.01	1549802	.285	1593537	.137	1617257	.259
1548067	.393	1549808	.267	1599037	.395		.261
	.395	1549817	.345	1599038	.395	1617367	.75
1549744	.351	1549818	.345	1599039	.395	1618104	.474
1549746	.405	1549819	.345	1599043	.395	1618616	.229
1549747	.405	1549820	.411	1599380	.298	1618617	.229
1549748	.407	1549822	.411	1599617	.451	1618618	.229
1549749	.409	1550656	.308	1599618	.341	1618619	.229
1549750	.407	1550662	.308		.343.05	1618620	.229
1549751	.267	1550666	.308	1599621	.341	1618622	.229
	.271	1550808	.409		.343	1618624	.229
1549752	.267	1551365	.69		.343.05	1618626	.222
	.271		.75		.343.07		.228
1549755	.269	1552033	.259	1599622	.339		.229
1549756	.272	1552035	.261		.343.03	1619927	.157
1549757	.272	1560235	.98	1599623	.341	1620767	.131
1549759	.267	1561564	.200		.343.05	1620768	.131
1549760	.267	1561567	.283	1599624	.339	1622139	.229
1549761	.269	1561568	.283		.343.03	1623211	.229
1549762	.267	1561698	.418	1599625	.341	1623294	.138
1549763	.267		.470		.343	1626560	.295
1549764	.272	1563435	.478		.343.05	1628243	.475

PART NUMBER INDEX

NUMBER	PAGE	NUMBER	PAGE	NUMBER	PAGE	NUMBER	PAGE
.....	479	1665127112	1694805308	1737636134
1628317353	113	1694806308	1739740307
1628678229	114	1694807308	1739779310
1630887475	115	1694811308	1741738308
1634237354	117	1694813308	1741739308
1634712183	125	1694815308	1741740308
1640715236	222	1696727308	1741741308
1640883245	1665920113	1696729308	1741742308
1642312339	124	1696730308	1745291192
1642313339	125	1696731308	1752245397
1642314343	1666682477	1696876307	1752284201
.....	343.07	1670138151	308	204
1642315341	153	1696900302	1753192101
.....	343.05	1671200285	309	175322216
1642316339	1672190310	1697416258	50
.....	343.03	1672195311	259	51
164231797	1672200315	262	1757513251
164301483	1672201312	1697417260	1765311149
.....	381	313	261	1769957391
164301589	1672300310	262	1776717239
1643127400	1672304311	1697418334	241
.....	404	1672307315	336	17791029
1643128400	1672312312	337	142
.....	404	313	338	143
1643130400	1672336259	339	17791039
.....	404	261	340	142
1644615252	1672452310	341	143
1644616252	1672457311	342	17791049
1644619252	1672459315	343	144
1649877247	1674228236	392	17791059
.....	249	255	1703724134	144
1649878239	257	1706225301	17791069
.....	241	1674229236	1707485300	144
.....	247	1680239262	1709163223	1779787127
.....	249	307	1709164223	1783885252
1650017343.03	308	1709220477	1784916433
1650539252	1680268332	171337091	1789109343.03
1650540252	1681953139	171337191	1789110343.03
.....	262	1682300307	1713741477	1789557303
1650699138	1682372339	171394697	317
.....	139	343.03	1716593373	1789558304
1652521175	1682373307	1716802477	1789559302
165356597	1684846310	1719672351	1789560307
165556151	1687915255	1724008343	1789561319
165556251	257	343.07	1792253302
165719897	1688389433	172574869	303
165900193	477	1728223391	304
.....	97	1688398287	1728820404	307
1659875221	1690320307	1728386391	317
.....	229	1690322307	1728392391	319
1659876221	169289846	1728816391	179936051
1659877221	169290046	1728817391	179936162
.....	262	1693173478	1728818391	1802429373
1660543245	479	1728819391	1802430373
1664443113	1694059465	1732072349	1802590349
1664445113	1694293351	1733266371	180366616
1664446113	169429475	1737634477	30

PART NUMBER INDEX

NUMBER	PAGE	NUMBER	PAGE	NUMBER	PAGE	NUMBER	PAGE
1804169	.334						
	.343.00						
	.343.01						
	.343.02						
	.343.03						
	.343.04						
	.343.05						
	.343.06						
	.343.07						
	.392						
1805923	.149						
1809106	.18						
	.58						
	.59						
1832569	.195						
	.197						
	.198						
1838763	.473						
1838770	.473						
1838773	.473						
1839173	.473						
1839179	.473						
1839184	.473						
1839189	.473						
1839274	.473						
1839327	.203.01						
1851551	.425.01						
1851554	.425.01						
1851556	.425.01						
1851558	.425.01						
1851559	.425.01						
1851561	.425.01						
1851563	.425.01						
1851565	.425.01						
1851567	.425.01						
1851641	.425.01						
1851642	.425.01						
1854261	.189						
	.192						
1866190	.446						
1872847	.425.01						
1872848	.425.01						
1872849	.425.01						
1863637	.343.05						
	.343.07						
1872020	.175						
1872719	.265						
1872986	.291						
1883286	.373						
1889390	.301						
1903850	.301						
	.305						
	.306						
	.308						
	.309						

NSN CROSS-REFERENCE LIST

PART NUMBER	STOCK NUMBER	PART NUMBER	STOCK NUMBER	PART NUMBER	STOCK NUMBER
0		1H7339	5331-00-593-1141	2	
OL0478	5306-01-176-4831	1H8171	2530-00-930-9778	2A3211	5310-01-151-8350
OL1026	5340-00-229-9287	1J1953	3120-01-451-3508	2A4639	5306-00-263-4038
OL1143	5306-00-285-1368	1K6870	5310-00-269-6340	2B2695	5306-00-263-8951
OL1351	5306-00-263-7301	1K6985	5365-01-068-7087	2B3455	5310-00-638-0201
OL1352	5305-00-879-8351	1L5072	5315-00-532-5746	2B9373	5315-01-189-7672
OL2070	5306-00-698-2150	1M1230	5310-01-132-5309	2D6235	5310-01-160-2034
OL2315	5305-01-107-5161	1M6119	5306-00-438-8600	2D6642	3110-00-992-1048
OS0509	5305-00-252-8919	1M6120	5310-00-438-8604	2D8009	5331-00-982-9312
OS1569	5306-01-051-7598	1M8651	2520-01-066-5214	2D8363	5331-01-097-6620
OS1585	5306-01-127-9361	1M9011	5330-00-948-3306	2D8426	5307-00-009-4001
OS1588	5306-01-426-3949	1N5999	5365-01-099-9380	2F7306	2910-00-429-5195
OS1590	5306-01-094-9106	1P0436	5330-01-295-3525	2G8265	3830-01-094-1933
OS1591	5305-01-015-6841	1P3703	5330-01-043-5565	2G8767	5310-01-178-7414
OS1594	5306-00-260-4508	1P3934	3110-01-053-7564	2H2525	5315-00-271-7524
OS1614	5306-00-423-8121	1P3935	3110-01-037-7207	2H3429	5325-00-715-1152
OS1615	5306-00-261-1153	1P3958	3110-01-097-9505	2H3922	5310-00-550-3714
OS1617	5306-01-366-7552	1P4278	5342-01-063-0674	2H3927	5330-00-886-2777
OS1618	5306-01-116-9622	1P4576	4730-01-051-3134	2H3931	5331-00-580-1216
OS1619	5306-00-426-2932	1P4577	4730-01-051-5256	2H3935	5331-00-141-5069
OS1621	5306-00-426-2934	1P5766	4730-01-178-6503	2H5549	5365-01-085-0886
OT0055	5306-01-159-1513	1P6356	5340-01-429-0918	2H6338	5331-00-325-6310
OT0065	5305-00-252-8906	1P6886	4730-01-066-8443	2J3506	5310-00-978-5406
OT0200	5365-00-498-2921	1P9699	4820-01-068-7267	2J3950	5310-00-557-9415
OT0318	5306-00-426-2966	1Q1445	2990-01-445-2352	2J4066	5330-01-364-0495
OT0573	2910-00-309-9473	1R0739	2940-00-029-0388	2J6274	5330-01-063-0731
		1R0751	2910-01-424-7315	2J8592	5306-01-062-5892
		1R1189	2530-01-437-2262	2K4821	5310-00-232-4180
		1R1196	2530-01-436-9146	2K4973	5310-01-058-8071
		1R1198	2590-01-451-5942	2K5967	5325-00-857-5704
1A2029	5306-00-423-8194	1S0994	5340-01-413-6684	2K9111	5315-01-308-5103
1A2223	5315-00-252-2961	1S1636	2520-01-060-8624	2L1699	5315-00-942-7069
1A5183	5306-00-637-4927	1S1638	5365-00-803-8516	2L5893	5315-00-533-9530
1B0676	5315-00-272-6760	1S2176	5340-01-437-6110	2L8058	5940-00-114-1305
1B2693	5306-01-162-5712	1S2563	5340-01-148-6673	2L8066	5940-01-103-3667
1B2790	5306-00-272-1804	1S3206	3110-00-931-7854	2L8067	5940-00-143-4777
1B7182	5306-00-423-8357	1S3725	5340-01-437-6109	2L8068	5940-01-251-1327
1B8702	5315-00-010-6749	1S3743	3110-00-554-3246	2L8071	5940-01-059-0873
1B8704	5315-00-074-3573	1S4698	4310-01-063-0729	2L8074	5940-00-351-8077
1B8705	5315-00-920-6927	1S7057	5330-00-105-0339	2L8075	5940-00-143-4774
1B8708	5315-00-616-5522	1S7251	5940-01-058-9090	2L8076	5940-00-478-1810
1B8741	5315-00-125-2587	1S7252	2920-01-066-0593	2L8077	5940-01-053-4521
1B9575	5306-00-426-3315	1S9593	5340-01-160-2464	2L8079	5940-00-143-4793
1D4593	5306-00-426-3400	1T0043	3110-00-542-0021	2L8509	5325-01-360-0957
1D5117	5310-00-208-9476	1T0132	5331-00-929-3495	2M4287	5325-01-429-2742
1F0748	5310-00-445-4632	1T0689	5310-00-193-1047	2M4453	5331-00-074-3768
1F0750	5310-01-108-8405	1T0720	5306-01-103-7039	2M4779	5307-00-465-6789
1F2771	3110-01-185-5089	1T0738	5310-00-419-0919	2M6471	5340-00-410-6762
1F5842	5306-00-087-7178	1T1068	5331-01-336-8776	2M7041	4730-01-068-7106
1G8878	2910-01-438-7423	1U3015	3120-01-451-5007	2M7943	5340-01-188-5560
1H1023	5331-00-920-6924	1U8846	8040-01-437-6864	2M9780	5330-00-939-0687
1H1200	5315-00-710-2087	1W0122	5310-01-425-3620	2N1931	4730-00-911-5707
1H3244	5310-01-062-9898	1W0565	5310-01-432-4566	2P1078	3020-01-069-0879
1H3338	5310-01-062-9899	1W2713	4820-01-360-4399	2P1279	5310-00-186-9550
1H4393	5310-01-170-1508	1W2715	2815-01-361-8316	2P1293	5310-01-292-8365
1H6227	5331-00-508-1373	1W8407	3120-01-350-6845		

NSN CROSS-REFERENCE LIST

PART NUMBER	STOCK NUMBER	PART NUMBER	STOCK NUMBER	PART NUMBER	STOCK NUMBER
2P2537	5307-01-069-1419	3B8488	4730-00-172-0034	5P6008	5970-01-300-7305
2P4339	5310-01-063-2970	3B8489	4730-00-050-4208	5P6419	5325-01-190-4154
2P5616	2920-01-053-4541	3D2824	5331-00-944-8281	5P6627	9505-00-248-9850
2P8386	5365-01-053-7324	3D8317	5365-00-804-7683	5P6871	2540-01-095-8773
2R0504	5310-01-123-6216	3D8752	5310-01-095-1247	5P6874	2540-01-119-1743
2S0675	5340-01-180-9142	3E3362	5340-01-429-5304	5P6944	4730-00-933-0727
2S0696	3040-01-438-0850	3E3365	5365-01-429-0766	5P7070	2510-01-430-2483
2S1382	5360-00-498-2881	3E3371	5340-01-438-0747	5P7071	5307-01-254-2497
2S1384	3805-00-411-3927	3E3383	2590-01-438-0746	5P7807	3110-01-106-3931
2S1385	4820-01-152-5582	3E3389	2590-01-438-0745	5P7813	5331-01-335-0042
2S4078	5331-00-429-3542	3E4053	4730-01-438-0740	5P7957	4010-01-170-1460
2S4872	2520-01-059-9356	3E4352	5310-01-433-5836	5P7958	3120-01-413-5936
2S5717	5310-00-950-2660	3E5464	5930-01-437-8575	5P7970	5310-01-429-7239
2S7931	3120-00-914-0691	3E6332	4810-01-443-7132	5P8196	5340-01-343-6678
2S9750	5340-01-377-2467	3E6436	5930-01-444-6492	5P8215	5331-00-448-8152
2V8259	5325-01-171-0521	3E6477	5945-01-415-3570	5P8245	5310-01-098-0624
2W0027	3120-01-360-5287	3E6955	2520-01-415-2555	5P8247	5310-01-095-4631
2W3294	2910-01-179-6387	3E7240	6685-01-415-5597	5P8248	5310-01-102-2477
2W6047	5310-01-286-3515	3E7259	6685-01-414-8811	5P8250	5310-01-157-3394
2W6544	5340-01-360-1220	3E7294	5925-01-444-7952	5P8309	9390-01-305-0929
2W7211	3120-01-361-1161			5P8347	5305-01-360-1005
2W7212	5330-01-347-3206		4	5P8392	5310-01-413-5925
2W7213	3120-01-360-7529			5P8874	4730-01-230-6610
2W7381	3040-01-361-2508	4C1494	5330-01-080-3251	5P9209	3110-01-407-6466
2W7566	3120-01-360-5285			5P9297	5340-01-161-2682
2W8077	4320-01-438-0845		5	5P9466	9905-01-163-0027
2W8078	5340-01-398-9665			5P9617	4730-00-008-9818
2W8079	5340-01-397-4261	5P2321	5940-01-306-4689	5P9799	5970-01-288-4297
2W8085	3020-01-398-4500	5P2424	5306-01-429-9721	5P9806	5330-01-438-1404
2W8087	3040-01-398-3368	5P2566	5306-01-429-7236	5R4467	5935-01-097-9974
2W8090	3040-01-398-3370	5P2569	5330-01-064-7486	5R6242	5340-01-342-2648
2W8091	4320-01-438-0846	5P2931	5331-01-421-3810	5R6749	6220-01-236-0104
2W8147	3020-01-360-6390	5P2948	5935-01-068-7146	5R6800	4820-01-213-8015
2W8476	3020-01-361-2409	5P2955	5306-00-429-3082	5R6801	4820-01-202-9608
2W9128	2815-01-360-6535	5P2957	5940-01-250-8721	5S7001	5310-01-155-8667
2W9162	2815-01-298-5347	5P3418	3110-01-099-8007	5S7349	5306-01-348-3272
2Y5829	5310-01-359-9329	5P3419	3110-01-098-0000	5S7379	5306-01-210-2303
		5P3455	5940-00-114-1306	5S7382	5306-01-285-3987
		5P3501	4730-01-375-5997	5S7383	5306-01-176-7828
	3	5P4115	5310-01-098-0634	5S7384	5310-01-095-4016
3B0645	5340-00-365-5169	5P4116	5310-01-095-5910	5S7816	2520-01-059-9409
3B1915	5306-01-195-4681	5P4487	4730-01-286-0224	5T1362	2520-01-432-3552
3B4501	5310-01-236-9974	5P4571	5940-01-058-9112	5V1474	5305-01-160-1977
3B4504	5310-00-514-6852	5P4675	4730-01-167-5452	5V1497	5325-01-430-2024
3B4505	5310-00-010-3320	5P5621	6145-01-191-3320	5V5262	5306-01-210-3821
3B4507	5310-00-514-6845	5P5622	6145-00-726-7275	5V8309	5340-01-187-8834
3B4508	5310-01-236-9975	5P5623	6145-00-347-1171		
3B4615	5315-00-431-7315	5P5624	6145-01-168-1070		6
3B4617	5315-00-234-1657	5P5630	4720-01-103-3700	6B6683	5310-00-347-4441
3B4618	5315-00-010-3386	5P5643	5330-01-292-4301	6B6684	5310-00-021-4442
3B4622	5315-00-010-3390	5P5675	6145-01-286-7263	6B6863	5315-00-423-9861
3B4627	5315-00-059-0206	5P5677	6145-01-309-2428	6D0047	5310-01-438-9598
3B6487	4730-01-358-8530	5P5846	5330-01-045-5605	6D0679	5355-01-189-1990
3B7255	4730-00-193-0871	5P5930	5330-01-094-3105	6D3479	5340-01-059-9345
3B7745	4730-00-196-2058	5P5969	5330-01-257-9172	6D4161	5999-01-119-4109
3B8485	4730-00-172-0028	5P5991	4720-01-150-0882		

NSN CROSS-REFERENCE LIST

PART NUMBER	STOCK NUMBER	PART NUMBER	STOCK NUMBER	PART NUMBER	STOCK NUMBER
6D4162	3120-01-160-7617	6S2829	3110-01-441-3932	6V7699	5310-01-430-0296
6D4246	5340-01-053-8024	6S3463	5360-01-302-7233	6V7743	5310-01-413-5901
6D4636	5340-01-053-8025	6S6031	4730-01-302-7223	6V7744	5310-01-413-5902
6F4855	5331-00-290-8365	6S6032	3110-01-300-6801	6V8133	5306-01-438-1754
6F6673	5331-00-865-0404	6T0364	5330-01-441-3941	6V8149	5310-01-359-9327
6F7045	5310-00-833-9298	6T3642	5925-01-339-1441	6V8185	5310-01-413-5903
6G2256	5342-01-185-2404	6T3643	5925-01-206-4330	6V8186	5310-01-413-5909
6G2263	5365-01-175-9326	6T3644	5925-01-339-0955	6V8187	5310-01-429-9775
6G4357	2520-01-167-9184	6T4864	6240-01-301-0717	6V8188	5310-01-184-3538
6G4358	2520-01-168-2007	6T8500	2920-01-413-8272	6V8189	5310-01-413-5911
6G5987	5342-01-181-1929	6T9256	5310-01-257-4292	6V8197	5306-01-438-1755
6G6623	5330-01-201-3806	6V0744	4720-01-429-7113	6V8336	5305-01-360-1001
6G8831	5340-01-181-7524	6V0852	5999-01-429-9791	6V8362	5305-01-184-5915
6G9333	2940-01-053-0179	6V1155	8455-01-302-2866	6V8367	5310-01-181-2505
6H3689	5340-01-430-2023	6V1392	5330-01-277-6101	6V8368	5310-01-429-9758
6H5139	2520-01-028-8096	6V1668	5310-01-429-7105	6V8374	5305-01-169-0687
6H5829	5325-00-720-8064	6V1722	4730-01-360-7750	6V8376	5305-01-184-5919
6I0915	2815-01-361-3963	6V1820	5306-01-311-4592	6V8377	5310-01-297-1062
6I2307	5360-01-436-6137	6V2315	5306-01-433-4753	6V8382	5310-01-182-3272
6I2424	5365-01-438-7694	6V2317	5306-01-360-0929	6V8397	5331-00-579-6495
6I2503	2940-01-438-4900	6V2369	6145-01-437-9015	6V8398	5331-00-580-6583
6I2504	2940-01-438-4901	6V2404	5310-01-441-3935	6V8400	5330-01-438-1759
6I3033	5325-01-360-0954	6V2686	5340-01-181-0752	6V8490	5305-01-360-1004
6I4464	2940-01-438-1772	6V2689	5640-01-202-1771	6V8553	5310-01-438-1747
6J0488	5305-01-285-7714	6V2722	4710-01-438-1795	6V8554	5310-01-438-0755
6J2797	5365-01-047-0836	6V3213	5325-01-364-6422	6V8555	5310-01-438-0752
6J3134	5330-01-064-8247	6V3507	5330-01-152-0601	6V8560	5365-01-438-0754
6J3473	5325-00-820-5964	6V3538	5315-01-188-1865	6V8561	5365-01-438-5619
6J3993	5340-01-161-2784	6V3821	5305-01-360-1992	6V8562	5365-01-438-0753
6J7264	5365-01-237-6763	6V3822	5305-01-360-1990	6V8564	5310-01-438-0759
6J7500	3830-00-431-3297	6V3918	5305-01-360-1002	6V8625	4730-01-349-7772
6K6307	5331-01-287-6293	6V3940	5305-01-360-1009	6V8627	4730-01-438-0756
6K6967	4730-01-170-1453	6V3965	4730-01-164-1777	6V8634	5935-01-437-9075
6M9155	5315-01-305-6278	6V3966	4730-01-375-5882	6V8635	5935-01-437-9076
6N1944	2920-01-094-7515	6V4143	4730-01-375-5884	6V8636	4730-01-350-0196
6N3827	2920-01-061-9209	6V4144	4730-01-375-5883	6V8637	4730-01-291-8501
6N4414	2910-01-178-9971	6V4365	5330-01-438-1780	6V8639	4730-01-291-8500
6N5926	6685-01-102-1652	6V4611	7690-01-161-6476	6V8641	5330-01-413-5916
6N7523	5310-01-064-1494	6V5049	5330-00-020-0186	6V8647	4730-01-360-9109
6N8863	5310-01-098-0625	6V5058	5331-01-351-2737	6V8713	4730-01-364-6394
6N9349	5925-00-350-4478	6V5142	5331-01-200-6010	6V8721	4730-01-413-5918
6P1294	5340-01-065-0317	6V5215	5305-01-360-1707	6V8723	4730-01-429-9750
6P2216	5340-01-178-9295	6V5217	5306-01-360-0931	6V8724	4730-01-360-4146
6P3236	5930-01-181-0054	6V5218	5305-01-360-1006	6V8774	4730-01-438-0757
6P4938	5340-01-155-4484	6V5219	5305-01-360-1993	6V8781	4730-01-438-0751
6P4940	5365-01-160-4614	6V5223	5305-01-360-1007	6V8782	4730-01-349-7776
6P4943	2520-01-102-1583	6V5230	5305-01-360-1997	6V8801	5310-01-429-7859
6P4977	5365-01-099-8160	6V5320	4730-01-169-7303	6V8837	5306-01-438-4985
6P4978	5360-01-098-1867	6V5651	4720-01-331-8722	6V8918	5306-01-429-7860
6P7704	4320-01-185-5375	6V5815	5305-01-360-1995	6V8928	5340-01-429-7873
6P9783	5360-01-097-9194	6V5839	5310-01-360-0983	6V9001	4730-01-364-6397
6P9784	5360-01-098-1871	6V6640	8030-01-155-3238	6V9002	4730-01-291-8499
6P9785	5360-01-098-0284	6V6957	5340-01-162-8859	6V9007	4730-01-291-8498
6P9786	1650-01-153-1633	6V7238	2915-01-343-6277	6V9008	4730-01-438-0763
6S2289	4730-01-062-7174	6V7357	5306-01-413-5907	6V9168	5310-01-438-0768
6S2828	3110-01-013-3083	6V7687	5310-01-364-6645	6V9169	5310-01-293-2892

NSN CROSS-REFERENCE LIST

PART NUMBER	STOCK NUMBER	PART NUMBER	STOCK NUMBER	PART NUMBER	STOCK NUMBER
6V9170	5310-01-364-6646	7H1447	2930-00-635-8296	7T3268	2920-01-285-7288
6V9189	5310-01-053-6999	7H3171	4730-00-042-8988	7T3269	5975-01-351-3614
6V9200	4730-01-438-0761	7H7658	5360-01-254-8891	7T3270	5945-01-346-4945
6V9632	5310-01-429-7858	7J0204	5330-01-096-0912	7T3271	5940-01-350-0284
6V9746	5331-01-058-4030	7J1309	3120-01-296-1985	7T3276	2920-01-414-6199
6V9835	4730-01-413-5919	7J2604	3110-01-064-8248	7T3277	6105-01-414-6209
6V9836	4730-01-438-0764	7J5544	4730-01-429-7940	7T3278	5977-01-414-6201
6V9850	4730-01-411-7545	7J5639	5306-01-155-8647	7T3279	3040-01-413-7712
6V9851	4730-01-413-5920	7J6877	5310-01-053-8066	7T3451	5970-01-350-7858
6W0210	5306-01-428-7534	7J8611	4730-00-035-8036	7T3454	5970-01-350-7857
6W5757	5340-01-256-3208	7J8893	2520-01-066-9166	7T4532	5365-01-430-3383
6Y6127	3820-01-447-4127	7J8894	2520-01-066-9167	7T7370	5330-01-440-0559
6Y6595	3820-01-447-4134	7J9108	5330-01-124-4370	7T8202	3820-01-447-4130
6Y6772	3820-01-447-4132	7J9885	5365-01-048-0984	7V5190	3020-01-159-7842
	7	7J9887	3040-01-158-8473	7V5628	5340-01-440-0525
		7K1181	2815-01-053-4712	7V6089	5340-01-440-0544
		7K6058	5306-01-166-4409	7V6234	5340-01-286-3593
7B2742	5306-00-423-8784	7K9203	5330-01-035-4904	7V6659	5340-01-440-0545
7B3028	5305-00-708-3823	7K9211	5330-01-043-5472	7W2398	5330-01-360-5935
7C0111	5325-01-360-0956	7L2894	5330-00-914-0703	7W3773	3020-01-384-6236
7C0358	5330-01-360-5936	7L3111	5330-00-237-6998	7W3780	3020-01-438-7722
7C1159	5330-01-360-5941	7M1177	3110-01-185-2665	7W3871	2815-01-360-7980
7C1160	5330-01-360-5937	7M1199	5360-01-103-3618	7W3872	5340-01-360-1885
7C1493	4820-01-284-5435	7M1201	5315-01-160-2315	7W4137	3040-01-430-3428
7C2272	3010-01-443-2235	7M5130	5315-01-103-3917	7W5095	3020-01-149-3370
7C4273	5360-01-359-7943	7M7410	4730-00-057-5555	7W5340	5330-01-360-7173
7C4354	5325-01-438-1984	7M7794	5307-01-165-5751	7W6492	4730-01-428-6928
7C5294	5360-01-429-7890	7M8485	5330-00-930-9407	7W6552	5330-01-360-5929
7C5403	4710-01-438-1987	7M8592	5330-00-557-8436	7W7383	4820-01-430-3427
7C6670	5305-01-360-0933	7M9910	5306-00-118-3091	7W9028	4330-01-384-6317
7C6672	5340-01-360-1752	7N0140	4720-01-182-7751	7W9395	2815-01-360-2429
7C6966	3120-01-360-5296	7N2044	5315-01-323-1735	7W9415	3120-01-360-5288
7C6967	3120-01-360-5297	7N2059	5340-01-088-2385	7W9737	5365-01-360-1035
7C6969	3120-01-360-5294	7N5274	6140-01-170-1450	7W9738	5310-01-359-8807
7C6970	3120-01-360-5295	7N5683	5315-01-360-6728	7W9740	3020-01-361-2410
7C7431	5330-01-360-5940	7N5876	6240-01-066-0589	7W9930	3120-01-360-5286
7C8444	2815-01-385-4719	7N7779	5999-01-150-8808	7X0292	5306-01-430-9046
7D9267	2520-01-167-7185	7N7780	5315-01-334-0295	7X0325	5306-01-438-9845
7E0759	4720-01-406-1977	7N7781	5935-01-413-5935	7X0326	5306-01-439-1002
7E1718	5342-01-397-4266	7N7782	5935-01-150-8322	7X0340	5306-01-430-9054
7E2968	3130-01-360-7564	7N8421	4730-01-413-5934	7X0368	5305-01-421-2094
7E4761	4820-01-429-7923	7N9021	5306-01-166-7926	7X0370	5306-01-430-9063
7E5189	4820-01-360-2395	7N9023	5306-01-167-1084	7X0440	5306-01-438-9849
7E5196	4710-01-398-2016	7N9737	5935-01-150-8323	7X0447	5310-01-353-3403
7E5714	6145-01-437-9078	7N9738	5935-01-149-5165	7X0448	5310-01-423-9059
7E7779	4810-01-360-2415	7N9801	5330-01-302-9890	7X0510	5310-01-430-9020
7E9817	5330-01-360-5938	7N9943	6240-00-519-3399	7X0517	5310-01-438-8208
7F2050	4730-01-143-9017	7S3916	5342-01-069-0904	7X0546	5310-01-430-9023
7F2060	4730-00-727-8915	7S3919	5342-01-069-0905	7X0562	5310-01-352-7561
7F7621	5310-00-262-4715	7S4338	5305-00-068-4784	7X0578	5310-01-430-9026
7F8267	5331-00-291-7353	7S5757	5325-01-288-7755	7X0578	5310-01-430-9026
7F8607	5331-00-591-7543	7S7680	2940-01-058-8102	7X0579	5310-01-433-5837
7G2830	5330-01-185-8061	7T0020	6220-01-430-4268	7X0620	5310-01-352-7562
7G3737	5330-01-157-3417	7T0969	2590-01-282-4318	7X2475	5306-01-430-9041
7G4842	5360-01-098-1870	7T1099	3040-01-430-3355	7X2501	5306-01-438-9852
7G9730	6210-01-148-9022	7T3267	6105-01-285-6453	7X2553	5305-01-428-7617

NSN CROSS-REFERENCE LIST

PART NUMBER	STOCK NUMBER	PART NUMBER	STOCK NUMBER	PART NUMBER	STOCK NUMBER
7X2555	5306-01-430-9028	8H0707	5305-00-476-5308	8S9355	4720-00-981-8519
7X2562	5306-01-430-9029	8H1141	3040-01-053-4714	8T0100	5305-01-360-1000
7X3319	5305-01-438-4613	8H1728	5310-01-182-5450	8T0226	5305-01-398-1280
7X3373	5306-01-430-9032	8H2262	5331-00-848-6108	8T0269	5306-01-413-8756
7X5308	5340-01-413-9743	8H3710	5305-00-252-8917	8T0276	5305-01-360-1008
7X5448	4320-01-370-8008	8H5303	5310-01-063-7852	8T0328	5310-01-413-8757
7X7729	5310-01-430-9036	8H5352	3110-00-144-8558	8T0337	5305-01-430-0277
7X7877	5940-01-438-7295	8H7521	5331-00-555-3810	8T0644	5305-01-360-1708
7Y3173	5305-01-438-4618	8H9513	5315-01-254-9668	8T0788	4730-01-438-9716
	8	8J1256	5342-01-063-4236	8T1159	5305-01-398-1281
		8J4452	5340-01-184-6083	8T1760	5340-01-215-6299
		8J5816	5330-01-181-2421	8T2353	2530-01-323-5396
8B2327	5325-00-205-4711	8J6704	5360-01-066-7681	8T2502	5306-01-285-8875
8B2377	5306-00-424-0351	8K5271	5330-01-451-5963	8T2561	5310-01-257-3245
8B6343	3110-00-100-0602	8L2779	5331-00-166-0980	8T2659	5310-01-413-8759
8B7614	5310-00-930-0278	8L5922	5306-01-102-7332	8T3282	5365-01-360-1034
8C3081	5330-01-438-4633	8L7971	4730-00-278-7777	8T3490	5310-01-429-3166
8C3309	4730-01-438-4645	8L8413	5975-01-097-2100	8T3597	5310-01-438-9721
8C3445	5340-01-352-7258	8M1013	5342-01-069-0788	8T3612	5310-01-439-1125
8C3446	4820-01-351-2951	8M2538	4820-00-471-0004	8T3666	5305-01-360-0999
8C3447	2520-01-438-2112	8M2770	5340-00-426-4793	8T4001	5310-01-413-8767
8C3655	5977-01-339-4843	8M2772	5340-00-426-4803	8T4121	5310-01-352-2753
8C3839	5330-00-143-7173	8M4409	3110-00-448-4764	8T4122	5310-01-364-7468
8C4436	5306-01-429-4756	8M4432	5331-00-913-8878	8T4132	5310-01-413-8764
8C5607	5340-01-438-1852	8M4445	5331-00-914-5821	8T4133	5310-01-352-7726
8C5608	5340-01-438-1854	8M4446	5331-00-999-5504	8T4136	5306-01-360-1634
8C6868	5935-01-438-4245	8M4986	5331-00-930-5736	8T4137	5306-01-360-0928
8C6877	5305-01-438-1858	8M4987	5331-00-925-4778	8T4138	5306-01-413-5287
8C7581	5330-01-429-4733	8M4988	5331-00-997-7230	8T4139	5306-01-364-6384
8C8418	5340-01-376-6818	8M5010	5331-00-939-0610	8T4140	5306-01-429-3162
8C8451	5305-01-360-1705	8M5127	5330-00-101-2561	8T4141	5310-01-359-9326
8C8585	5305-01-438-1864	8M5249	5331-00-948-6062	8T4167	5310-01-413-8769
8C9123	5330-01-021-9891	8M5254	5331-00-913-8120	8T4171	5306-01-429-3167
8C9124	5330-01-378-2610	8M5255	5331-00-613-6439	8T4172	5305-01-419-5181
8C9125	5330-01-098-9988	8M5661	5331-00-948-6063	8T4182	5306-01-414-9639
8C9132	5330-01-364-0409	8M5860	4730-00-470-6644	8T4183	5306-01-413-8770
8C9133	5330-00-290-1012	8M8489	5315-00-760-7425	8T4185	5305-01-398-1286
8C9134	5330-00-935-9127	8M8997	5331-00-104-6577	8T4186	5306-01-360-0932
8C9144	5330-01-451-5965	8N0869	5340-01-429-3220	8T4189	5306-01-360-0927
8C9160	2825-01-417-8863	8N1542	5999-01-157-7719	8T4190	5305-01-439-8516
8C9660	2825-01-429-6202	8N1543	5999-01-159-2400	8T4191	5306-01-408-0450
8C9987	5310-01-429-4717	8N1549	5935-01-438-5493	8T4192	5306-01-413-8771
8D1817	2530-01-065-7132	8N1725	6140-01-170-1451	8T4193	5306-01-429-3171
8D1819	2530-01-067-2189	8N4617	4730-01-379-2138	8T4195	5305-01-398-1284
8D3508	4730-01-065-9080	8P4764	3110-01-155-6124	8T4196	5305-01-360-1996
8E6208	5315-01-444-8666	8P6321	5315-01-098-3929	8T4198	5306-01-414-3290
8E6209	5340-01-444-1936	8P9770	5340-01-394-0778	8T4200	5305-01-360-1703
8E7366	5330-01-438-5495	8R3393	5340-01-438-5504	8T4205	5310-00-841-2576
8E9378	3820-01-447-4122	8S3373	5330-01-064-3775	8T4222	5310-01-429-3253
8E9379	3820-01-447-4124	8S4740	5306-01-343-9721	8T4223	5310-01-098-0624
8F1434	5310-00-576-5752	8S4790	5365-01-256-9289	8T4224	5310-01-359-8806
8F3437	5355-01-064-3851	8S5383	4130-01-054-5311	8T4226	5310-01-425-6246
8F8151	4820-00-026-8473	8S5575	5330-00-498-2911	8T4244	5310-01-352-7374
8F8997	4730-00-288-9391	8S7803	5325-01-302-7274	8T4648	5306-01-429-3172
8F9206	5331-00-599-2938	8S8158	5340-01-352-7260	8T4747	5340-01-439-8521
8F9516	5331-00-599-2189	8S9130	4730-01-159-7840	8T4779	5306-01-429-3176

NSN CROSS-REFERENCE LIST

PART NUMBER	STOCK NUMBER	PART NUMBER	STOCK NUMBER	PART NUMBER	STOCK NUMBER
8T4835	5306-01-429-3170	9D3721	5930-01-287-3423	9N0943	5365-01-429-6083
8T4896	5310-01-286-6079	9D3767	5365-01-429-6081	9N3388	5342-01-070-1592
8T4908	5305-01-398-1282	9D6583	5330-01-065-7151	9N3832	5306-01-205-5360
8T4958	3120-01-298-4867	9D9161	6210-01-093-8599	9P1478	5365-01-441-3945
8T4970	5305-01-351-0778	9F1399	5331-00-714-2330	9P3041	5360-01-098-0283
8T4985	5340-01-429-2858	9F1847	3120-00-352-8589	9P7072	5310-01-441-3942
8T4994	5310-01-298-3199	9F2247	4730-00-472-9787	9P7121	2910-01-164-7906
8T5030	5305-01-360-1989	9F2547	9390-00-865-8270	9P7849	5340-01-281-3921
8T5043	5935-01-439-8528	9F3788	5330-00-432-4084	9P9388	5355-01-166-1721
8T5360	5310-01-097-8955	9F4446	5331-00-862-6861	9P9390	5340-01-164-9958
8T5361	5310-01-429-2859	9F5644	5310-01-063-5822	9R2821	4730-01-438-9778
8T5391	5306-01-256-6771	9F6445	5310-00-050-3477	9R8538	5340-01-438-9760
8T5429	4730-01-439-8532	9F8125	5310-00-879-8825	9S0671	4720-00-198-5808
8T5436	5306-01-429-2861	9G0004	5935-01-158-0035	9S1354	5310-00-404-3786
8T5439	5310-01-429-2862	9G0398	5977-01-181-0151	9S2009	5305-00-450-0422
8T5668	4320-01-346-4170	9G1950	5905-01-429-4032	9S2013	2920-00-427-6420
8T6466	5305-01-439-8534	9G3667	5935-01-156-7789	9S2302	2920-00-231-7385
8T6631	5305-01-439-8535	9G3673	5935-01-438-9739	9S2390	5330-01-053-4747
8T6703	5340-01-429-3148	9G3695	5935-01-152-2677	9S2544	5305-00-090-4256
8T6757	4730-01-429-1358	9G4343	5940-01-438-9733	9S4180	5365-01-067-2179
8T6762	5365-01-439-8536	9G4344	5940-01-438-9734	9S4181	5365-01-026-9555
8T6765	4730-01-429-1360	9G4348	5940-01-438-9735	9S4182	5340-01-360-1691
8T6868	5305-01-320-8044	9G5127	2520-01-164-0077	9S4184	2520-01-085-3663
8T6869	5305-01-398-1285	9G5301	4820-01-152-5579	9S4185	5365-00-763-0120
8T6870	5305-01-439-8537	9G7069	6250-01-146-6909	9S4188	4710-01-053-2705
8T6912	5305-01-398-1287	9G8909	5975-01-286-7367	9S4190	5365-01-053-0180
8T7044	5307-01-360-0988	9G9150	5340-01-151-9964	9S4191	5365-00-411-4584
8T7338	5306-01-429-3250	9G9152	5340-01-160-0446	9S4191	5365-00-411-4584
8T7547	5305-01-360-1011	9G9154	5340-01-186-0984	9S4693	5925-01-438-9741
8T8442	5305-01-360-0990	9G9882	5925-01-417-9202	9S5279	3110-01-298-7747
8T8566	5975-01-362-6388	9H2082	5930-00-799-0974	9S8001	5365-01-124-2945
8T8569	5970-01-350-7859	9H6454	5330-00-848-9950	9S8002	5365-00-078-6248
8T8729	5935-01-429-0889	9H9850	3110-00-896-6832	9S8003	5365-01-035-4899
8T8730	5935-01-429-0888	9J1318	5330-01-181-2420	9S8004	5365-01-036-0010
8T8737	5365-01-429-3163	9J1330	5340-01-184-6084	9S8005	5365-01-031-8183
8T8799	5970-01-439-8543	9J3047	4730-01-165-0851	9S8006	2530-01-062-5318
8T8827	5305-01-439-8544	9K2721	5310-01-194-9219	9S8007	5365-01-257-4480
8T8902	4730-01-414-3294	9K3050	5307-01-165-3470	9S8008	4730-01-064-3790
8T8908	5305-01-286-9786	9L1080	3020-01-143-5955	9S8752	5310-01-183-1237
8T8917	5306-01-429-3165	9L6770	3895-01-278-1610	9S9334	5365-01-166-1573
8T9364	5306-01-285-8876	9L7669	5310-00-155-5084	9T1752	5330-01-364-0443
8T9384	5306-01-429-4061	9L9188	5360-00-175-2701	9T3965	3040-01-285-5073
8T9393	5306-01-429-4064	9L9814	5310-01-061-7921	9T5916	2940-01-451-5949
8T9398	5306-01-429-4065	9L9850	5306-01-061-8635	9T9557	3040-01-451-6055
8T9757	5940-01-376-5755	9M1974	5310-00-432-4064	9T9562	3040-01-451-4200
8T9884	5970-01-345-0506	9M2904	5342-01-165-5721	9V7943	5360-01-307-1883
8Y6386	5330-01-438-9044	9M4355	5365-01-032-7272	9W0844	5935-01-429-2752
	9	9M4594	5365-01-161-2171	9W0852	5935-01-429-3241
9B2596	5320-01-438-9052	9M4849	5330-00-847-4351	9W5567	4820-01-438-9796
9B7233	5310-00-559-0070	9M5024	5330-01-157-3402	9W5568	2805-01-438-9797
9C2177	5342-01-306-5865	9M5775	2540-01-068-7114	9W6582	5365-01-431-0860
9D2867	6210-01-066-7644	9M5884	5340-00-493-3997	9W6584	5310-01-431-0898
9D2868	6210-01-066-7645	9M7394	2540-01-181-0999	9W9831	4730-01-285-7312
9D3127	2920-01-066-5205	9M7609	5360-00-812-0196	9W9953	5365-01-425-6245
		9M8406	5342-01-064-3819	9X1046	5305-01-438-9790
		9N0869	5310-01-415-1603	9X1386	5365-01-431-0903

NSN CROSS-REFERENCE LIST

PART NUMBER	STOCK NUMBER	PART NUMBER	STOCK NUMBER	PART NUMBER	STOCK NUMBER
9X1439	6220-01-438-9584	1051457	6625-01-196-1848	1426032	2510-01-451-8154
9X1813	5365-01-438-9581	1051725	2815-01-399-0833	1433986	2590-01-451-8086
9X2027	5310-01-438-9803	1056117	5930-01-443-4671	1433987	2590-01-451-8085
9X2044	5305-01-438-9808	1056118	5930-01-443-4672	1472520	2930-01-449-8053
9X2099	5307-01-398-1279	1077602	3120-01-399-1541		
9X2185	5305-01-439-0977	1077694	3040-01-361-2509		
9X2305	5305-01-360-1991	1078618	2990-01-443-3327		
9X2480	5305-01-439-0973	1080358	5945-01-446-9484		
9X2500	5305-01-431-0883	1119894	3040-01-451-4237		
9X3455	6220-01-431-0881	1125495	2520-01-443-4997		
9X3463	6240-01-429-2747	1134799	2540-01-443-3627		
9X4174	6220-01-429-4223	1136180	2815-01-424-6155		
9X4243	5330-01-429-4021	1136200	5330-01-424-3523		
9X4244	5305-01-429-4024	1136250	5330-01-360-5933		
9X4493	6240-01-439-0994	1148718	5330-01-348-2720		
9X4824	5340-01-439-2601	1151153	5340-01-444-1937		
9X6165	5310-01-439-2619	1154120	5330-01-432-1218		
9X7264	4320-01-413-1783	1154144	2815-01-360-2468		
9X7381	5330-01-439-2613	1154204	3020-01-433-8134		
9X7382	5330-01-439-2615	1154237	3020-01-432-4555		
9X7743	5330-01-439-2618	1165275	5930-01-447-5832		
9X8256	5310-01-415-1606	1167150	2910-01-444-9795		
9X8257	5310-01-425-5472	1183534	5930-01-444-0451		
9X8267	5310-01-439-0845	1192924	4320-01-360-9221		
9X8486	5306-01-449-9709	1192940	5330-01-424-7905		
9X8916	5306-01-360-1633	1193061	2815-01-362-1159		
9X9511	2920-01-337-5254	1193075	6685-01-438-6660		
9Y4832	2815-01-361-8317	1208402	2930-01-443-2940		
9Y8848	2815-01-361-8313	1225053	4810-01-443-6949		
9Y9236	5340-01-439-2092	1228644	2520-01-448-0369		
	0	1228646	2520-01-447-2911		
		1236449	6350-01-443-4979		
		1243608	2990-01-451-8215		
0302010	5930-01-444-3011	1243610	4320-01-451-4157		
0310216	5305-01-437-6092	1243843	3040-01-451-6037		
0321268	4730-01-390-4937	1243848	3040-01-451-6043		
0366775	3030-01-437-6084	1244622	3004-01-451-6052		
0045933	4730-01-437-6176	1265874	2815-01-430-3787		
0966166	5310-01-437-6101	1291909	3040-01-451-7965		
0990492	5310-01-439-7139	1295620	3120-01-451-3503		
	1	1302383	3120-01-451-3499		
		1302969	2530-01-444-6370		
1004083	5330-01-437-9067	1306433	2540-01-451-8223		
1004536	3040-01-451-5999	1307618	2930-01-444-9376		
1006174	3040-01-451-6005	1309241	2590-01-450-8950		
1006267	5340-01-432-4552	1310845	2520-01-444-9404		
1006531	4140-01-428-9426	1314257	4710-01-443-4502		
1006532	5365-01-432-4559	1331372	3805-01-445-6216		
1013244	2930-01-399-0838	1331375	3820-01-447-4119		
1017740	6110-01-428-9432	1341935	2540-01-449-5806		
1028802	5340-01-438-4062	1371569	4710-01-451-4007		
1028803	5340-01-438-4074	1378676	2510-01-451-8093		
1028805	5340-01-438-4091	1378677	2510-01-451-8094		
1028806	5340-01-438-4099	1426029	2510-01-451-8114		
1048626	4710-01-443-4650	1426030	2510-01-451-8099		
		1426031	2510-01-451-8118		

EMP/NBC INDEX

EMP/NBC	SYSTEM	PART NUMBER	QTY	DESCRIPTION
EMP	COOLING SYSTEM	1157424	1	UNIT CONTROL
EMP	ELECTRICAL & STARTING	1303507	1	CONTROL GP (EPTC-II)
EMP	ELECTRICAL & STARTING	1457807	1	CONTROL GP (ECM)
EMP/NBC	ELECTRICAL & STARTING	1393839	1	HARNESS AS
EMP/NBC	ELECTRICAL & STARTING	1393842	2	HARNESS AS
EMP/NBC	ELECTRICAL & STARTING	1393843	1	HARNESS AS
EMP/NBC	ELECTRICAL & STARTING	1393844	1	HARNESS AS
EMP/NBC	ELECTRICAL & STARTING	1393849	1	HARNESS AS
EMP/NBC	ELECTRICAL & STARTING	1582236	1	HARNESS AS-WIRING
EMP/NBC	ELECTRICAL & STARTING	1393841	1	HARNESS AS
NBC	AIR INLET & EXHAUST	1294000	1	HOSE
NBC	AIR INLET & EXHAUST	1713946	2	HOSE-HUMP
NBC	AIR INLET & EXHAUST	2P1221	1	HOSE
NBC	AIR INLET & EXHAUST	5P2817	76	HOSE-BULK
NBC	BASIC ENGINE	0366775	1	BELT-VEE
NBC	BASIC ENGINE	9W9931	3	MOUNT AS
NBC	BRAKING SYSTEM	3G0361	2	GASKET
NBC	BRAKING SYSTEM	1344425	2	HOSE AS
NBC	BRAKING SYSTEM	1374475	2	HOSE AS
NBC	BRAKING SYSTEM	1549751	2	HOSE AS
NBC	BRAKING SYSTEM	1549752	2	HOSE AS
NBC	BRAKING SYSTEM	1549757	2	HOSE AS
NBC	BRAKING SYSTEM	1549792	2	HOSE AS
NBC	BRAKING SYSTEM	1549798	2	HOSE AS
NBC	BRAKING SYSTEM	1549799	2	HOSE AS
NBC	BRAKING SYSTEM	0870330	2	HOSE AS
NBC	COOLING SYSTEM	1248544	1	RUBBER
NBC	COOLING SYSTEM	1249785	1	HOSE AS
NBC	COOLING SYSTEM	1303256	1	FAN-SUCTION
NBC	COOLING SYSTEM	1363940	1	HOSE
NBC	COOLING SYSTEM	1442646	1	HOSE AS
NBC	COOLING SYSTEM	1459453	1	RUBBER
NBC	COOLING SYSTEM	1459455	1	RUBBER
NBC	COOLING SYSTEM	1528315	1	HOSE
NBC	COOLING SYSTEM	1528316	1	HOSE
NBC	COOLING SYSTEM	1549781	1	HOSE AS
NBC	COOLING SYSTEM	1549782	1	HOSE AS
NBC	COOLING SYSTEM	1549784	1	HOSE AS
NBC	COOLING SYSTEM	1549785	1	HOSE AS
NBC	COOLING SYSTEM	1587677	1	HOSE
NBC	COOLING SYSTEM	1608027	1	HOSE AS
NBC	COOLING SYSTEM	1617367	1	HOSE AS
NBC	COOLING SYSTEM	1725748	1	HOSE
NBC	COOLING SYSTEM	1G6094	2	CLAMP
NBC	COOLING SYSTEM	3E4913	1	RUBBER
NBC	COOLING SYSTEM	5P0767	16	HOSE BULK
NBC	COOLING SYSTEM	5P5991	3	HOSE
NBC	COOLING SYSTEM	6Y9915	1	MOUNT AS
NBC	COOLING SYSTEM	7R7939	6	CLAMP-PIPE
NBC	COOLING SYSTEM	7V6659	2	CLAMP-DOUBLE
NBC	COOLING SYSTEM	7Y1103	1	TANK AS-RESERVE
NBC	COOLING SYSTEM	9M4814	1	CONNECTOR-HOSE
NBC	COOLING SYSTEM	9R9068	1	HOSE AS
NBC	ELECTRICAL & STARTING	1108457	1	BOOT
NBC	ELECTRICAL & STARTING	1236449	1	ALARM-BACKUP
NBC	ELECTRICAL & STARTING	1302784	1	CABLE AS
NBC	ELECTRICAL & STARTING	1327081	1	SWITCH AS-LIMIT
NBC	ELECTRICAL & STARTING	1393845	1	HARNESS AS

EMP/NBC INDEX

EMP/NBC	SYSTEM	PART NUMBER	QTY	DESCRIPTION
NBC	ELECTRICAL & STARTING	1393846	1	HARNESS AS
NBC	ELECTRICAL & STARTING	1393847	1	HARNESS AS
NBC	ELECTRICAL & STARTING	1393848	1	HARNESS AS
NBC	ELECTRICAL & STARTING	1402398	1	FILM-INST
NBC	ELECTRICAL & STARTING	1495534	1	LAMP GP-SIGNAL
NBC	ELECTRICAL & STARTING	1495535	1	LAMP GP-SIGNAL
NBC	ELECTRICAL & STARTING	1634712	1	PROTECTOR
NBC	ELECTRICAL & STARTING	0039835	2	PROTECTOR-TERM
NBC	ELECTRICAL & STARTING	0618844	2	GROMMET
NBC	ELECTRICAL & STARTING	2V8259	1	GROMMET
NBC	ELECTRICAL & STARTING	3E7294	2	BREAKER AS-CKT
NBC	ELECTRICAL & STARTING	3T2662	2	BREAKER AS-CKT
NBC	ELECTRICAL & STARTING	3T8728	2	BREAKER AS-CKT
NBC	ELECTRICAL & STARTING	4P1826	1	WIRE AS
NBC	ELECTRICAL & STARTING	4R8045	2	LIGHT AS
NBC	ELECTRICAL & STARTING	5R6748	2	LIGHT AS
NBC	ELECTRICAL & STARTING	5R6749	1	LAMP AS-BLACKOUT
NBC	ELECTRICAL & STARTING	5Y1423	1	WIRE AS
NBC	ELECTRICAL & STARTING	6L5855	1	STRIP-TERMINAL
NBC	ELECTRICAL & STARTING	6N8589	4	BREAKER AS-CKT
NBC	ELECTRICAL & STARTING	6N9349	1	BREAKER AS-CKT
NBC	ELECTRICAL & STARTING	6T0465	1	COVER TERMINAL
NBC	ELECTRICAL & STARTING	6T3642	1	BREAKER AS-CKT
NBC	ELECTRICAL & STARTING	7N0140	1	TUBE AS-COIL
NBC	ELECTRICAL & STARTING	7N5274	1	COVER TERMINAL
NBC	ELECTRICAL & STARTING	7Y8169	1	GROMMET
NBC	ELECTRICAL & STARTING	8C5607	16	MOUNT
NBC	ELECTRICAL & STARTING	8N0869	2	COVER TERMINAL
NBC	ELECTRICAL & STARTING	8N1725	1	COVER TERMINAL
NBC	ELECTRICAL & STARTING	8T9655	8	MOUNT
NBC	ELECTRICAL & STARTING	9L1127	1	BELT SET-VEE
NBC	ELECTRICAL & STARTING	9S4693	1	BREAKER AS-CKT
NBC	ELECTRICAL & STARTING	9X1439	6	LAMP GP-FLOOD
NBC	ELECTRICAL & STARTING	9X7169	2	LAMP GP-HEAD
NBC	ELECTRICAL & STARTING	9X7803	1	ALTERNATOR GP
NBC	ELECTRICAL & STARTING	9X8256	1	STRAP-GROUND
NBC	FRAME AND BODY	1444535	1	BELT
NBC	FRAME AND BODY	1644615	4	BELT
NBC	FRAME AND BODY	1R1189	2	WHEEL AS-IDLER
NBC	FRAME AND BODY	1R1196	4	WHEEL AS-IDLER
NBC	FRAME AND BODY	1R1198	4	ROLLER AS
NBC	FRAME AND BODY	1R1287	2	BELT
NBC	FRAME AND BODY	8C4427	6	PLUNGER-LATCH
NBC	FRAME AND BODY	8C4428	2	SOCKET-LATCH
NBC	FRAME AND BODY	9M5884	3	BUMPER
NBC	FUEL SYSTEM	1091482	4	LATCH AS
NBC	FUEL SYSTEM	1236305	1	CAP AS-FUEL
NBC	FUEL SYSTEM	1276449	1	SEPERATOR GP-WATER
NBC	FUEL SYSTEM	1549786	1	HOSE AS
NBC	FUEL SYSTEM	1549787	1	HOSE AS
NBC	FUEL SYSTEM	1549788	1	HOSE AS
NBC	FUEL SYSTEM	1549789	2	HOSE AS
NBC	FUEL SYSTEM	1590721	2	HOSE AS
NBC	FUEL SYSTEM	5P8292	4	SEAL
NBC	FUEL SYSTEM	8C4428	2	SOCKET-LATCH
NBC	HYDRAULIC SYSTEM	1243857	2	HOSE AS
NBC	HYDRAULIC SYSTEM	1243866	1	HOSE AS
NBC	HYDRAULIC SYSTEM	1243884	1	HOSE AS

EMP/NBC INDEX

EMP/NBC	SYSTEM	PART NUMBER	QTY	DESCRIPTION
NBC	HYDRAULIC SYSTEM	1249787	1	HOSE AS
NBC	HYDRAULIC SYSTEM	1465813	1	WIPER-ROD
NBC	HYDRAULIC SYSTEM	1501745	1	VALVE-DIRECTION
NBC	HYDRAULIC SYSTEM	1501747	1	VALVE-DIRECTION
NBC	HYDRAULIC SYSTEM	1501748	2	VALVE-DIRECTION
NBC	HYDRAULIC SYSTEM	1503615	1	COIL-SOLENOID
NBC	HYDRAULIC SYSTEM	1549769	1	HOSE AS
NBC	HYDRAULIC SYSTEM	1549770	1	HOSE AS
NBC	HYDRAULIC SYSTEM	1549771	1	HOSE AS
NBC	HYDRAULIC SYSTEM	1549772	1	HOSE AS
NBC	HYDRAULIC SYSTEM	1549773	1	HOSE AS
NBC	HYDRAULIC SYSTEM	1549776	1	HOSE AS
NBC	HYDRAULIC SYSTEM	1549777	1	HOSE AS
NBC	HYDRAULIC SYSTEM	1599622	2	HOSE AS
NBC	HYDRAULIC SYSTEM	1599624	2	HOSE AS
NBC	HYDRAULIC SYSTEM	1599625	2	HOSE AS
NBC	HYDRAULIC SYSTEM	1599626	2	HOSE AS
NBC	HYDRAULIC SYSTEM	1599627	4	HOSE AS
NBC	HYDRAULIC SYSTEM	1628317	1	HOSE AS
NBC	HYDRAULIC SYSTEM	1642312	1	HOSE AS
NBC	HYDRAULIC SYSTEM	1642313	1	HOSE AS
NBC	HYDRAULIC SYSTEM	1642316	2	HOSE AS
NBC	HYDRAULIC SYSTEM	1666632	1	HOSE AS
NBC	HYDRAULIC SYSTEM	1682372	2	HOSE AS
NBC	HYDRAULIC SYSTEM	1G6094	10	CLAMP
NBC	HYDRAULIC SYSTEM	4T9788	1	HOSE AS-ORFS
NBC	HYDRAULIC SYSTEM	4T9789	1	HOSE AS-ORFS
NBC	HYDRAULIC SYSTEM	5J8156	2	WIPER-SEAL
NBC	HYDRAULIC SYSTEM	6E1865	1	HOSE AS
NBC	HYDRAULIC SYSTEM	7R7407	1	HOSE AS
NBC	HYDRAULIC SYSTEM	8C9132	1	SEAL-LIP TYPE
NBC	HYDRAULIC SYSTEM	8C9133	1	SEAL-LIP TYPE
NBC	HYDRAULIC SYSTEM	8C9134	1	SEAL-LIP TYPE
NBC	IMPLEMENTS	1243856	1	HOSE AS
NBC	IMPLEMENTS	1243859	1	HOSE AS
NBC	IMPLEMENTS	1243863	1	HOSE AS
NBC	IMPLEMENTS	1243864	1	HOSE AS
NBC	IMPLEMENTS	1243869	1	HOSE AS
NBC	IMPLEMENTS	1243875	1	HOSE AS
NBC	IMPLEMENTS	1243876	1	HOSE AS
NBC	IMPLEMENTS	1249787	2	HOSE AS
NBC	IMPLEMENTS	1316511	1	HOSE AS
NBC	IMPLEMENTS	1375175	1	HOSE AS
NBC	IMPLEMENTS	1448530	1	CABLE
NBC	IMPLEMENTS	1493213	1	HOSE AS
NBC	IMPLEMENTS	1549746	1	HOSE AS
NBC	IMPLEMENTS	1549747	1	HOSE AS
NBC	IMPLEMENTS	1549749	1	HOSE AS
NBC	IMPLEMENTS	1549820	1	HOSE AS
NBC	IMPLEMENTS	1549822	1	HOSE AS
NBC	LUBRICATION	1331349	1	HOSE-DISPOSAL
NBC	LUBRICATION	1549778	1	HOSE AS
NBC	LUBRICATION	1549779	1	HOSE AS
NBC	LUBRICATION	1655561	1	HOSE AS
NBC	LUBRICATION	1655562	1	HOSE AS
NBC	LUBRICATION	2W9162	1	BREATHER AS
NBC	LUBRICATION	7R7941	4	CLAMP-TUBE
NBC	OPERATOR STATION	1106109	2	KNOB-CONTROL

EMP/NBC INDEX

EMP/NBC	SYSTEM	PART NUMBER	QTY	DESCRIPTION
NBC	OPERATOR STATION	1165274	1	KNOB-RED
NBC	OPERATOR STATION	1165275	1	SWITCH-OPERATOR
NBC	OPERATOR STATION	1519203	1	FILM-INSTRUCTION
NBC	OPERATOR STATION	0918488	20	CHANNEL-TRIM
NBC	OPERATOR STATION	1022423	1	SEAT GP-SUSPENSION
NBC	OPERATOR STATION	1045253	1	HORN-FAST PULSE
NBC	OPERATOR STATION	1051457	1	INDICATOR AS-VOLT
NBC	OPERATOR STATION	1134799	1	PEDAL AS
NBC	OPERATOR STATION	1151153	1	HANDLE
NBC	OPERATOR STATION	1164684	1	INDICATOR AS-LEVEL FUEL
NBC	OPERATOR STATION	1219434	6	SEAL-WINDOW RUBBER
NBC	OPERATOR STATION	1243861	1	HOSE AS
NBC	OPERATOR STATION	1243872	1	HOSE AS
NBC	OPERATOR STATION	1243888	1	HOSE AS
NBC	OPERATOR STATION	1248524	1	HOSE AS
NBC	OPERATOR STATION	1302969	1	VALVE GP-BRAKE
NBC	OPERATOR STATION	1313714	1	BOTTLE AS-WASHER
NBC	OPERATOR STATION	1341935	1	BLADE-WIPER
NBC	OPERATOR STATION	1355195	1	DEFLECTOR
NBC	OPERATOR STATION	1426023	1	SEALANT
NBC	OPERATOR STATION	1426024	16	FASTENER-FOAM
NBC	OPERATOR STATION	1426025	2	SEAL-FOAM
NBC	OPERATOR STATION	1426033	1	HEADLINER
NBC	OPERATOR STATION	1426034	1	FOAM-LOWER
NBC	OPERATOR STATION	1426035	1	FOAM-UPPER RIGHT
NBC	OPERATOR STATION	1426040	4	ADHESIVE-CONTACT
NBC	OPERATOR STATION	1426041	1	ADHESIVE
NBC	OPERATOR STATION	1426046	1	FLOORMAT
NBC	OPERATOR STATION	1426047	1	FOAM-LOWER
NBC	OPERATOR STATION	1426048	1	FOAM-LOWER
NBC	OPERATOR STATION	1426049	1	FOAM-REAR
NBC	OPERATOR STATION	1426064	1	ADAPTER-WIPER
NBC	OPERATOR STATION	1426072	1	FOAM-DOOR
NBC	OPERATOR STATION	1426075	1	FILM-EXIT
NBC	OPERATOR STATION	1440133	4	MOUNT AS
NBC	OPERATOR STATION	1440195	300	HOSE
NBC	OPERATOR STATION	1448505	1	FOAM
NBC	OPERATOR STATION	1451004	4	MOUNT-ISLN
NBC	OPERATOR STATION	1458959	1	FILM-DASH
NBC	OPERATOR STATION	1467287	2	FAN GP
NBC	OPERATOR STATION	1470587	1	INSULATION-CAB
NBC	OPERATOR STATION	1470588	1	INSULATION-CAB
NBC	OPERATOR STATION	1470589	1	INSULATION-CAB
NBC	OPERATOR STATION	1470590	1	INSULATION-CAB
NBC	OPERATOR STATION	1470591	1	INSULATION-CAB
NBC	OPERATOR STATION	1470592	1	INSULATION-CAB
NBC	OPERATOR STATION	1475516	1	INSULATION-CAB
NBC	OPERATOR STATION	1477968	1	FOAM-UPPER LEFT
NBC	OPERATOR STATION	1538007	2	FILTER- AIR
NBC	OPERATOR STATION	1614348	1	COLUMN-STEERING
NBC	OPERATOR STATION	1K9007	4	GROMMET
NBC	OPERATOR STATION	1Q1445	1	SWITCH-HEATER
NBC	OPERATOR STATION	3E3742	1	TACHOMETER AS
NBC	OPERATOR STATION	3E5169	1	GUARD-SWITCH
NBC	OPERATOR STATION	3E7240	1	INDICATOR AS-TEMP TXSM
NBC	OPERATOR STATION	3S8448	1	BELT-VEE
NBC	OPERATOR STATION	3T3408	1	SPEEDOMETER-ELEK
NBC	OPERATOR STATION	3W5957	1	WHEEL AS-STEERING

EMP/NBC INDEX

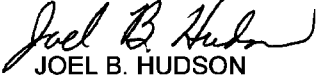
EMP/NBC	SYSTEM	PART NUMBER	QTY	DESCRIPTION
NBC	OPERATOR STATION	3W5960	1	LEVER AS
NBC	OPERATOR STATION	4E1384	5	BUMPER-CONICAL
NBC	OPERATOR STATION	4W0483	1	INDICATOR AS-TEMP COOLANT
NBC	OPERATOR STATION	4W2065	1	INDICATOR AS-PRESS OIL
NBC	OPERATOR STATION	5P5930	3	SEAL
NBC	OPERATOR STATION	5P6410	4	SEAL
NBC	OPERATOR STATION	5P6419	1	GROMMET
NBC	OPERATOR STATION	5P6871	2	MIRROR-MOUNT
NBC	OPERATOR STATION	5P6874	1	MIRROR
NBC	OPERATOR STATION	6P3236	1	SWITCH AS-ROTARY
NBC	OPERATOR STATION	6R3340	2	CLAMP
NBC	OPERATOR STATION	6T4864	1	LAMP GP-DOME
NBC	OPERATOR STATION	6V8928	1	HOOK-COAT
NBC	OPERATOR STATION	6V9528	1	FILM-INSTRUCTION
NBC	OPERATOR STATION	7G9730	2	LAMP-MINIATURE
NBC	OPERATOR STATION	7N5876	18	LAMP-MINIATURE
NBC	OPERATOR STATION	7U7791	3	GROMMET
NBC	OPERATOR STATION	8C4120	1	FILTER-AIR
NBC	OPERATOR STATION	8E4148	1	CUSHION AS
NBC	OPERATOR STATION	8E7364	1	BOOT
NBC	OPERATOR STATION	8R7097	1	LEVER AS
NBC	OPERATOR STATION	8T5383	1	VALVE AS-CHECK
NBC	OPERATOR STATION	8Y6388	6	LOUVER AS
NBC	OPERATOR STATION	9D2867	2	LENS-AMBER
NBC	OPERATOR STATION	9D2868	6	LENS-RED
NBC	OPERATOR STATION	9D9161	5	LENS
NBC	OPERATOR STATION	9D9161	1	LENS-GREEN
NBC	OPERATOR STATION	9P9388	1	KNOB
NBC	OPERATOR STATION	9R8538	2	PLUNGER-LATCH
NBC	POWER TRAIN	1101986	1	HOSE AS
NBC	POWER TRAIN	1197697	1	HOSE AS
NBC	POWER TRAIN	1246142	1	HOSE AS
NBC	POWER TRAIN	1249031	1	HOSE AS
NBC	POWER TRAIN	1275750	1	HOSE AS
NBC	POWER TRAIN	1312967	1	FILM-INDICATOR
NBC	POWER TRAIN	1436308	1	HOSE AS
NBC	POWER TRAIN	1695450	1	BELT
NBC	POWER TRAIN	1695451	2	BELT
NBC	POWER TRAIN	1832569	1	CLAMP
NBC	SERVICE EQUIP. & SUPPLIES	1046456	1	FILM-INSTRUCT (HYD FILL)
NBC	SERVICE EQUIP. & SUPPLIES	1197560	1	FILM-INSTRUCT (FUEL)
NBC	SERVICE EQUIP. & SUPPLIES	1213991	1	FILM-INSTRUCT (BATTERY)
NBC	SERVICE EQUIP. & SUPPLIES	1242570	1	FILM-INSTRUCT (HYD LEVEL)
NBC	SERVICE EQUIP. & SUPPLIES	1347258	1	FILM-IDENTIFY (COOLANT LEVEL)
NBC	SERVICE EQUIP. & SUPPLIES	1393850	1	FILM-INSTRUCT (AUX CHG SWITCH)
NBC	SERVICE EQUIP. & SUPPLIES	1402399	2	FILM-INSTRUCT (HYD CONNECT)
NBC	SERVICE EQUIP. & SUPPLIES	1402401	1	FILM-INSTRUCT (RAD/CAB)
NBC	SERVICE EQUIP. & SUPPLIES	1458331	1	FILM-IDENTIFY (SLAVE)
NBC	SERVICE EQUIP. & SUPPLIES	1525419	1	FILM-INSTRUCT (CHARGE SWITCH)
NBC	SERVICE EQUIP. & SUPPLIES	1545892	1	FILM-INSTRUCT (HAND PUMP)
NBC	SERVICE EQUIP. & SUPPLIES	1545893	1	FILM-INSTRUCT (RECOVERY)
NBC	SERVICE EQUIP. & SUPPLIES	1592408	1	FILM-INFO (AIR CLEANER)
NBC	SERVICE EQUIP. & SUPPLIES	1709220	3	FILM-WARNING
NBC	SERVICE EQUIP. & SUPPLIES	1713741	1	FILM-IDENTIFY (SERVICE INFO)
NBC	SERVICE EQUIP. & SUPPLIES	1716802	1	FILM-CAUTION (NOISE LEVEL)
NBC	SERVICE EQUIP. & SUPPLIES	5P1175	1	FILM-ENGINE OIL
NBC	SERVICE EQUIP. & SUPPLIES	6V4611	2	FILM-WARNING

NOTES

A large, empty rectangular box with a black border, intended for handwritten notes.

By Order of the Secretary of the Army:

Official:


JOEL B. HUDSON
*Administrative Assistant to the
Secretary of the Army*

ERIC K. SHINSEKI
*General, United States Army
Chief of Staff*

9920211

DISTRIBUTION: To be distributed in accordance with the initial distribution requirements for IDN: 256554, TM 5-2430-200-24P

RECOMMENDED CHANGES TO EQUIPMENT TECHNICAL PUBLICATIONS



THEN...JOT DOWN THE DOPE ABOUT IT ON THIS FORM. CAREFULLY TEAR IT OUT, FOLD IT AND DROP IT IN THE MAIL.

SOMETHING WRONG WITH PUBLICATION

FROM: (PRINT YOUR UNIT'S COMPLETE ADDRESS)

DATE SENT

PUBLICATION NUMBER

PUBLICATION DATE

PUBLICATION TITLE

BE EXACT PIN-POINT WHERE IT IS

PAGE NO.

PARA-GRAPH

FIGURE NO.

TABLE NO.

IN THIS SPACE, TELL WHAT IS WRONG AND WHAT SHOULD BE DONE ABOUT IT.

TEAR ALONG PERFORATED LINE

PRINTED NAME, GRADE OR TITLE AND TELEPHONE NUMBER

SIGN HERE

THE METRIC SYSTEM AND EQUIVALENTS

WEIGHT MEASURE

1 Centimeter = 10 Millimeters = 0.01 Meters = 0.3937 Inches
 1 Meter = 100 Centimeters = 1000 Millimeters = 39.37 Inches
 1 Kilometer = 1000 Meters = 0.621 Miles

WEIGHTS

1 Gram = 0.001 Kilograms = 1000 Milligrams = 0.035 Ounces
 1 Kilogram = 1000 Grams = 2.2 lb.
 1 Metric Ton = 1000 Kilograms = 1 Megagram = 1.1 Short Tons

LIQUID MEASURE

1 Milliliter = 0.001 Liters = 0.0338 Fluid Ounces
 1 Liter = 1000 Milliliters = 33.82 Fluid Ounces

SQUARE MEASURE

1 Sq. Centimeter = 100 Sq. Millimeters = 0.155 Sq. Inches
 1 Sq. Meter = 10,000 Sq. Centimeters = 10.76 Sq. Feet
 1 Sq. Kilometer = 1,000,000 Sq. Meters = 0.386 Sq. Miles

CUBIC MEASURE

1 Cu. Centimeter = 1000 Cu. Millimeters = 0.06 Cu. Inches
 1 Cu. Meter = 1,000,000 Cu. Centimeters = 35.31 Cu. Feet

TEMPERATURE

$5/9(^{\circ}\text{F} - 32) = ^{\circ}\text{C}$
 212° Fahrenheit is equivalent to 100° Celsius
 90° Fahrenheit is equivalent to 32.2° Celsius
 32° Fahrenheit is equivalent to 0° Celsius
 $9/5^{\circ}\text{C} + 32 = ^{\circ}\text{F}$

APPROXIMATE CONVERSION FACTORS

TO CHANGE	TO	MULTIPLY BY
Inches	Centimeters	2.540
Feet	Meters	0.305
Yards	Meters	0.914
Miles	Kilometers	1.609
Square Inches	Square Centimeters	6.451
Square Feet	Square Meters	0.093
Square Yards	Square Meters	0.836
Square Miles	Square Kilometers	2.590
Acres	Square Hectometers	0.405
Cubic Feet	Cubic Meters	0.028
Cubic Yards	Cubic Meters	0.765
Fluid Ounces	Milliliters	29.573
its	Liters	0.473
arts	Liters	0.946
allons	Liters	3.785
Ounces	Grams	28.349
Pounds	Kilograms	0.454
Short Tons	Metric Tons	0.907
Pound-Feet	Newton-Meters	1.356
Pounds per Square Inch	Kilopascals	6.895
Miles per Gallon	Kilometers per Liter	0.425
Miles per Hour	Kilometers per Hour	1.609

TO CHANGE	TO	MULTIPLY BY
Centimeters	Inches	0.394
Meters	Feet	3.280
Meters	Yards	1.094
Kilometers	Miles	0.621
Square Centimeters	Square Inches	0.155
Square Meters	Square Feet	10.764
Square Meters	Square Yards	1.196
Square Kilometers	Square Miles	0.386
Square Hectometers	Acres	2.471
Cubic Meters	Cubic Feet	35.315
Cubic Meters	Cubic Yards	1.308
Milliliters	Fluid Ounces	0.034
Liters	Pints	2.113
Liters	Quarts	1.057
ers	Gallons	0.264
ms	Ounces	0.035
ograms	Pounds	2.205
Metric Tons	Short Tons	1.102
Newton-Meters	Pounds-Feet	0.738
Kilopascals	Pounds per Square Inch	0.145
ometers per Liter	Miles per Gallon	2.354
ometers per Hour	Miles per Hour	0.621



PIN: 077428-000